

(19) World Intellectual Property Organization  
International Bureau



(43) International Publication Date  
16 October 2003 (16.10.2003)

PCT

(10) International Publication Number  
WO 03/085227 A1

(51) International Patent Classification<sup>7</sup>: E05B 47/06

(21) International Application Number: PCT/EP03/03464

(22) International Filing Date: 2 April 2003 (02.04.2003)

(25) Filing Language: English

(26) Publication Language: English

(30) Priority Data:  
2002 00538 11 April 2002 (11.04.2002) DK

(71) Applicant (for all designated States except US): RUKO  
A/S [DK/DK]; Marielundvej 20, DK-2730 HERLEV (DK).

(72) Inventor; and

(75) Inventor/Applicant (for US only): LINDSTROM, Erik  
[DK/DK]; Floradalen 4, DK-2830 VIRUM (DK).

(74) Agents: ESTREEN, Lars et al.; Kransell & Wennborg  
AB, Box 27834, S-115 93 STOCKHOLM (SE).

(81) Designated States (national): AE, AG, AL, AM, AT (util-  
ity model), AT, AU, AZ, BA, BB, BG, BR, BY, BZ, CA,  
CH, CN, CO, CR, CU, CZ (utility model), CZ, DE (util-  
ity model), DE, DK (utility model), DK, DM, DZ, EC, EE

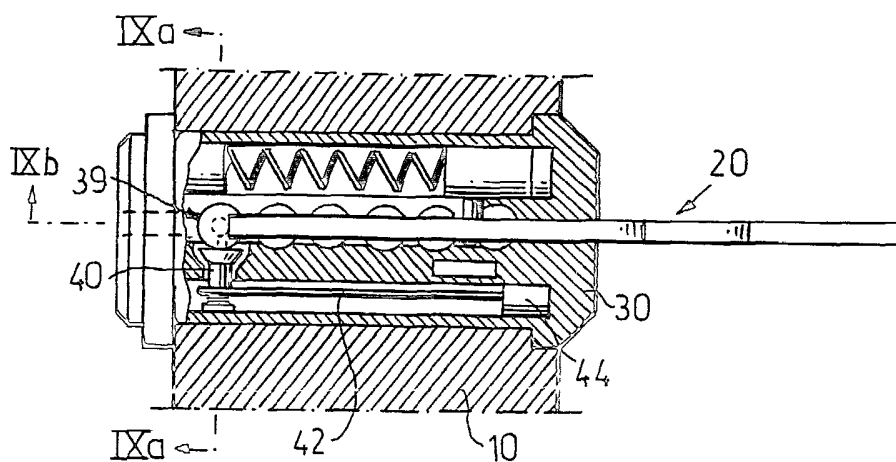
(utility model), EE, ES, FI (utility model), FI, GB, GD, GE,  
GH, GM, HR, HU, ID, IL, IN, IS, JP, KE, KG, KP, KR, KZ,  
LC, LK, LR, LS, LT, LU, LV, MA, MD, MG, MK, MN,  
MW, MX, MZ, NI, NO, NZ, OM, PH, PL, PT, RO, RU,  
SC, SD, SE, SG, SK (utility model), SK, SL, TJ, TM, TN,  
TR, TT, TZ, UA, UG, US, UZ, VC, VN, YU, ZA, ZM, ZW.

(84) Designated States (regional): ARIPO utility model (GH),  
ARIPO patent (GH), ARIPO utility model (GM), ARIPO  
patent (GM), ARIPO utility model (KE), ARIPO patent  
(KE), ARIPO utility model (LS), ARIPO patent (LS),  
ARIPO utility model (MW), ARIPO patent (MW), ARIPO  
utility model (MZ), ARIPO patent (MZ), ARIPO utility  
model (SD), ARIPO patent (SD), ARIPO utility model  
(SL), ARIPO patent (SL), ARIPO utility model (SZ),  
ARIPO patent (SZ), ARIPO utility model (TZ), ARIPO  
patent (TZ), ARIPO utility model (UG), ARIPO patent  
(UG), ARIPO utility model (ZM), ARIPO patent (ZM),  
ARIPO utility model (ZW), Eurasian  
patent (AM, AZ, BY, KG, KZ, MD, RU, TJ, TM), Euro-  
pean patent (AT, BE, BG, CH, CY, CZ, DE, DK, EE, ES,  
FI, FR, GB, GR, HU, IE, IT, LU, MC, NL, PT, RO, SE, SI,  
SK, TR), OAPI patent (BF, BJ, CF, CG, CI, CM, GA, GN,  
GQ, GW, ML, MR, NE, SN, TD, TG).

Published:  
— with international search report

[Continued on next page]

(54) Title: ELECTRO-MECHANICAL CYLINDER LOCK-KEY COMBINATION WITH OPTICAL CODE



(57) Abstract: An electromechanical cylinder lock-key combination comprises a cylinder housing (10) and a cylinder core (30) rotatably arranged in the cylinder housing and having a key-way (32) for receiving a key (20). A plurality of key actuated moveable blocking elements block the rotation of the cylinder core unless a correct key is inserted in the key-way. An optical code reader (46, 48) in the lock reads an optical code element provided on an inserted key. At least one of said blocking elements (39) functions as a bar element barring insertion of the key into the key-way unless a correct optical code element is on the key. By using at least one of the mechanical elements already present in the lock as part of the electronically controlled blocking mechanism, in combination with the use of an optical code requiring no moveable parts for the reading thereof, space requirements in the lock device are kept to a minimum.



WO 03/085227 A1



- 
- *before the expiration of the time limit for amending the claims and to be republished in the event of receipt of amendments*
- For two-letter codes and other abbreviations, refer to the "Guidance Notes on Codes and Abbreviations" appearing at the beginning of each regular issue of the PCT Gazette.*

ELECTRO-MECHANICAL CYLINDER LOCK-KEY COMBINATION  
WITH OPTICAL CODE

FIELD OF INVENTION

5 The present invention relates generally to electro-mechanical key and lock devices and more particularly to an electro-mechanical cylinder lock-key combination using an optical code, such as a holographic code or a bar code provided on the key.

10 BACKGROUND

It is previously known a variety of lock devices that make use of electronically controlled elements for increasing the security of the lock. However, the demand for lock systems with a high level of security is  
15 constantly increasing.

Many prior art electro-mechanical lock devices rely on a power source external to the lock device for powering the electronic circuitry of the device. This poses a problem, particularly when fitting a new electro-  
20 mechanical lock in an existing installation.

One way to avoid this problem is to provide a replaceable battery either in the lock device or in the keys used with the lock device. However, the replacement of the battery is often a cumbersome operation. Further-  
25 more, the battery takes up valuable space, irrespectively of whether it is provided in the lock or in the key. Also, batteries constitute an environmental hazard.

Another problem with today's electro-mechanical lock devices is that they must include not only mechanical  
30 locking elements but also the electronic circuitry and

elements controlled by the electronic circuitry. All these element must fit into the space defined for conventional all mechanical locks. The size of the electronic part of the locking mechanism must therefore be  
5 kept to a minimum.

Yet another problem with prior art electro-mechanical lock devices is that when the key having correct mechanical code is inserted then all key-actuated move-  
able blocking elements are moved to non-blocking posi-  
10 tion; only the electro-mechanical blocking element remains to prevent the rotation of the cylinder core.

#### SUMMARY OF THE INVENTION

An object of the present invention is to provide a key and lock device of the kind initially mentioned, wherein  
15 a high degree of security is obtained while the space requirements are kept to a minimum.

The invention is based on the realisation that the movement of at least one of the blocking elements conventionally found in a mechanical lock can be prevented by  
20 the provision of an optical code element on the key.

According to the invention there is provided an electro-mechanical cylinder lock-key combination as defined in the appended claim 1.

By using at least one of the mechanical elements already  
25 present in the lock as part of the electronically controlled blocking mechanism, in combination with the use of an optical code requiring no moveable parts for the reading thereof, space requirements in the lock device are kept to a minimum.

In a preferred embodiment, the optical code element is provided in the form of a hologram. This provides for a very high level of security thanks to the huge amount of possible codes and the difficulty in copying the key.

- 5 In another embodiment, a reflective bar code is provided as optical code on the key.

Further preferred embodiments are defined by the dependent claims.

#### BRIEF DESCRIPTION OF DRAWINGS

- 10 The invention is now described, by way of example, with reference to the accompanying drawings, in which:

fig. 1 is an overall perspective view of a key and lock device according to the invention;

- 15 fig. 2 is a perspective view of a key according to the invention;

fig. 3 is a top sectional view of the device shown in fig. 1 before insertion of a key;

- 20 fig. 3a and 3b are cross-sectional views of the device shown in fig. 3 taken along the lines IIIa - IIIa and IIIb - IIIb, respectively, in fig. 3;

figs. 4-7 are top sectional views of the device shown in fig. 1 during different stages of insertion of a key;

- 25 figs. 6a and 7a are cross-sectional views taken along line VIa - VIa in fig. 6 and line VIIa - VIIa in fig. 7, respectively;

fig. 8 is a top sectional view of the device shown in fig. 1 with a fully inserted key;

fig. 8a is a cross-sectional view of the device shown in fig. 8 taken along the line VIIIA - VIIIA in fig. 8;

5 fig. 9 is a top sectional view of the device shown in fig. 1 with an inserted key having incorrect optical code;

fig. 9a is a cross-sectional view of the device shown in fig. 9 taken along the line IXa - IXa in fig. 9;

10 fig. 9b is a sectional side view showing the position of an inserted key;

figs. 10 and 11 are cross-sectional views of the device according to the invention showing the interaction between a special pin tumbler and a pin blocking element;

15 and

fig. 12 is a perspective view of an alternative key according to the invention.

#### DETAILED DESCRIPTION OF THE INVENTION

In the following a detailed description of preferred  
20 embodiments of the present invention will be given.

In fig. 1, an overall perspective view of an electro mechanical cylinder lock-key combination 1 according to the invention is shown. The combination comprises a generally cylindrical cylinder housing 10 and a key 20  
25 inserted into a key-way of a cylinder core 30 rotatably provided in the cylinder housing. By means of rotation of the key, a campiece 12 is actuated so as to act on a

follower of a lock device. The cylinder housing 10 has the same general shape as conventional cylinder housings and the lock cylinder according to the invention can thus replace already installed all-mechanical lock  
5 cylinders.

The key 20 is shown in its entirety in fig. 2. It has a conventional shape and comprises a grip portion 22 and a bit portion 24. The bit portion has an upper code surface 26 arranged to cooperate with tumbler pins provided  
10 in the lock cylinder.

On a side surface of the bit portion there is provided an elongated holographic image or hologram 28 having a surface being essentially flush with the side surface of the bit portion so as not to interfere with the inser-  
15 tion of the key into the cylinder core 30. The hologram functions as an additional code and a key must thus have both a correct mechanical code, i.e., code surface 26, and optical code, i.e., hologram 28. This adds a further level of security as compared to an all-mechanical lock.

20 A top sectional view of the lock cylinder is shown in fig. 3, wherein it is seen how the elongated cylinder core 30 is provided in the cylinder housing 10. A keyway 32 is provided centrally in the cylinder core so as to receive the key 20. Centrally aligned in the cylinder  
25 core are also six pin tumbler chambers 34-39, wherein the five front chambers 34-38 each contains conventional pin tumblers acting as blocking elements when a key having incorrect mechanical code is inserted in the cylinder. An example of pin tumbler is given in fig. 3a,  
30 showing a top pin 34a and a bottom pin 34b.

The inner pin tumbler chamber 39 contains a conventional top pin 39a and a special kind of bottom pin, designated 39b in fig. 3b. This pin is provided with a circumferential waist or indent 39b' arranged to receive an outer  
5 portion of a pin-blocking element 40 provided at the outer end of a piezo-electric bender 42. This bender is arranged to move the pin blocking element 40 into and out of engagement with the waist portion 39b' of the special pin 39b. This function will be further explained  
10 below.

The inner end of the piezo-electric bender 42 is fixed so as to make the outer end move when current flows through the piezo-electric bender.

By using the inner pin tumbler as electronically controlled blocking element, several advantages are obtained. Firstly, the time from when the key 20 enters the cylinder core 30 to when it contacts the inner pin tumbler is long enough for the electronics to process the information in the optical code and control the pin  
15 tumbler 39a, 39b accordingly. Secondly, the piezo-electric bender 42 can be made long enough so as to displace the pin-blocking element 40 out of engagement with the special pin tumbler.

The electrical operation of the lock cylinder is controlled by means of an application specific integrated  
25 circuit (ASIC) 44. This ASIC is electrically connected to an optical unit comprising a laser diode 46 and an array of opto-electronic sensors 48 for recording an incoming laser beam. This will be fully described below  
30 with reference to fig. 4.

On the opposite side of the key-way from the opto-electronic components there is provided a striking pin or "hammer" 50 running in a cylindrical cavity 52 in the cylinder core 30. The hammer is provided with a finger 54 arranged to cooperate with the tip of the key 20 during insertion thereof and is spring-biased towards the front end of the cylinder core 30 by means of a helical spring 56.

An electric capacitor 58 is connected to the electrical power consuming components of the lock cylinder and is provided for storing electric energy by these components. Finally there is provided a piezo-electric generator 60 in the cavity 52. The generator comprises piezo-electric ceramic, i.e., a material made of crystalline substance, which creates charges of electricity by the application of pressure and vice versa. The generator functions in the following way. In its resting position shown in fig. 3, the hammer 50 is pressed against the generator 60 by means of the force exerted by the helical spring 56. When the hammer is moved from this position by the key tip, se fig. 4, this force is removed and the generator 60 thus produces a weak electric current, which is supplied to the ASIC 44 and the laser diode 46. The current thus functions as a "wake up signal" for the ASIC, which is essentially powered by the capacitor 58. When the hammer is returned to its original position, as will be described below with reference to fig. 7, mechanical energy is again converted into electric energy, charging the capacitor 58.

If so desired, the helical spring 56 can be given a characteristics adapted to provide defined force on the hammer.

The operation of the lock cylinder will now be explained. In fig. 4 there is shown how the key is inserted into the key-way. The hammer 50 is moved from its resting position shown in fig. 3 when the tip of the key bit reaches the finger 54 thereof. The electric energy thus created by the generator 60 is directed to the ASIC 44, thereby making it operative. The laser diode 46 is then controlled by the ASIC to emit a laser beam in the direction of the side of the key bit provided with the hologram containing the holographic code. During insertion of the key 20, the hologram breaks up this laser beam in between 1 and 32 sub-beams and these are reflected onto the opto-electronic sensors 48 in dependence of the holographic code. In other words, during insertion of the key 20 the 32 bit optical code contained in the hologram is recorded by the sensors 48 and this code is transmitted to the ASIC 44.

By reading the optical code while the key is moving, valuable time is saved and the user inserting the key into the lock cylinder will experience no time delays for reading and evaluating the optical code.

The correct optical code of the cylinder is stored in the ASIC. This correct code is compared with the code recorded by the sensors 48 and if they are identical, then the laser diode 46 is switched off and the pin-blocking element 40 is moved to a non-blocking position, as will be explained below. If the codes differ from

each other, the laser diode is still switched off but the pin-blocking element 40 is left in blocking position.

In fig. 5 there is shown how the key 20 has been inserted further into the cylinder core 30, bringing the hammer 50 with it, compressing the helical spring 56. When the helical spring is compressed further, the force exerted by it on the hammer makes the finger 54 of the hammer 50 slip off the key tip and take the position shown in fig. 6a. During this operation, the entire hammer 50 is turned. The spring force from the helical spring 56 then returns the hammer to its original position shown in fig. 3.

If the key 20 inserted into the cylinder has a correct optical code, the ASIC connects the generator 60 and the piezo-electric bender 40. When the hammer is released and hits the piezo-electric generator, the generator generates a voltage, which is directed across the piezo-electric bender 42. The generator 60 and the bender 42 thereby form a matched electrical circuit, providing a reliable actuator. The voltage across the piezo-electric bender makes it bend and thereby moves the pin blocking element 40 out of engagement with the special blocking pin 39b. With the pin blocking element in this position, the pins 39a, 39b function as the ordinary pins 34a,b - 38a,b. Thus, the tip of the key 20 pushes the pins 39a,b upward, see fig. 10, and the key can be fully inserted into the cylinder core to the position shown in fig. 8. If the mechanical key code 26 provided on the key is correct, then all pin tumblers have been moved to a position wherein the shear line between top and bottom

pins are aligned with the shear line between the cylinder housing 10 and the cylinder core 30. This enables rotation of the cylinder core 30 and thereby unlocking of the lock provided with the lock cylinder 1.

5 When a correct key is withdrawn from the position shown in fig. 8, the piezo-electric bender is returned to its straight shape.

If the optical code provided on the key is incorrect, the pin blocking element remains in engagement with the special pin 39b and the special pin tumbler 39a,b is stuck in position, see fig. 11. This in turn prevents the key 20 from being fully inserted into the cylinder core and it can only be inserted to the position shown in fig. 9 and 9b.

15 As appears from fig. 9b, in this position of the key, not only the pin tumbler 39a, b that is controlled by the optical code but also all other pin tumblers block rotation of the cylinder core. This is a significant advantage, as a key provided with correct mechanical code but with incorrect optical code releases no blocking elements in the lock cylinder.

The pin-blocking element 40 is shown in detail in fig. 11 in the position wherein a user of a key having incorrect optical code tries to push the key to its fully inserted position. The pin-blocking element is attached to the piezo-electric bender 42 through an aperture therethrough and is provided with a tapering flange 40a in the direction of the pin 39b. Its outer portion ends in a tip 40b dimensioned so as to fit into the waist portion 39b' of the special pin 39b. The pin-blocking

element 40 is normally kept level by means of the spring force provided by a helical spring 40c.

Returning to fig. 9a, if a user of a key lacking correct optical code urges the key to the special blocking pin 5 39b, this pin is moved slightly upward to an extent allowed by the tilt of the pin blocking element 40. In the position shown in figs. 9a and 11, the flange 40a cooperating with the cylinder core material provides a self-locking arrangement, pressing the pin-locking 10 element towards the special blocking pin 39b. This provides a mechanical arrangement adapted to withstand the forces from a hammer hitting the key grip, for example.

By using piezo-electronic components, large movable 15 masses in the electronically actuated lock mechanism are avoided, increasing the speed by which the unlocking can be effected and saving space.

A preferred embodiment of an electromechanical cylinder lock-key combination and a key according to the inven- 20 tion has been described. The person skilled in the art realises that this could be varied within the scope of the appended claims. Thus, although a hologram has been described as the preferred optical code element, it will be appreciated that other forms of code elements could 25 be used as well. An example of an alternative embodiment is given in fig. 12, wherein a reflective bar code 28' is provided on the side surface of the bit portion. If this kind of optical code is used, the above described laser diode 46 is replaced by a conventional light 30 emitting diode (LED).

Alternatively, the optical code could be provided not on the side surface of the key bit but on the underside thereof.

In its preferred embodiment, the inventive lock cylinder is provided with a special blocking pin tumbler arranged to be released by a piezo-electric bender upon detection of a correct optical code. The piezo-electric bender could of course be replaced by another kind of actuator, such as a solenoid etc.

10 A lock cylinder having six pin tumblers has been described. It will be realised that a cylinder having a different configuration than the embodiment shown can be used without departing from the inventive concept.

By providing a piezo-electric generator, the battery found in many electro-magnetic locks is dispensed with. However, the inventive idea is also applicable to a lock having an internal battery or being externally powered.

In the preferred embodiment, the inner pin tumbler is used as the electronically blocked element. However, other pin tumblers can be blocked either in addition to or instead of the inner pin tumbler.

The electronic lock mechanism has been shown controlled by means of an ASIC. Any micro controller or other processing unit can of course be used for that purpose.

## CLAIMS

- 5 1. An electromechanical cylinder lock-key combination, comprising:
- a housing (10) having a bore;
  - a core (30) rotatably arranged in said bore and having a key-way (32) for receiving a key (20) having a grip  
10 portion (22) and a bit portion (24);
  - a plurality of key actuated moveable blocking elements (34a,b-39a,b) for blocking the rotation of said core relatively to said housing unless a correct key is inserted in said key-way;
  - 15 - an electronic processing unit (44);
  - an optical code element (28; 28') provided on said bit portion of said key;
  - an optical code reader (46, 48) provided in said lock;
- characterized by**
- 20 - a bar element (39b) comprising at least one of said key actuated moveable blocking elements, said bar element barring insertion of said key into said key-way when movement of said bar element is prevented,
  - an electronically controlled latch element (40) move-  
25 able between a latching position, wherein movement of said bar element (39b) is prevented by said latching element, and a releasing position, wherein movement of

said bar element is allowed by said latching element,  
and

- a means (42) for moving said latch element to said  
releasing position upon detection by said optical code  
5 reader of a correct optical code element on said key.

2. The combination according to claim 1, wherein  
said optical code element is a holographic image (28).

3. The combination according to claim 2, wherein  
said holographic image (28) is provided with a surface  
10 essentially flush with a surface of said bit portion  
(24) of said key (20).

4. The combination according to claim 2 or 3,  
wherein said optical code reader comprises a laser diode  
(46) and an optical sensor (48).

15 5. The combination according to claim 1, wherein  
said optical code element comprises a bar code (28').

6. The combination according to claim 5, wherein  
said optical code reader comprises a light emitting  
diode (46) and an optical sensor (48).

20 7. The combination according to any of claims 2-6,  
wherein said bar element is a pin (39b) having an indent  
(39b') for receiving a portion (40b) of said latch  
element (40).

8. The combination according to claim 7, wherein  
25 said latch element (40) is provided on a bendable  
element (42).

9. The combination according to claim 8, wherein said bendable element (42) is a piezo-electric bender.

10. The combination according to any of claims 2-9, wherein said latch element (40) is provided with a  
5 tapering flange (40a) arranged to urge said latch element towards said bar element (39b) when inserting a key (20) having incorrect optical code element (28;28').

11. The combination according to any of claims 2-10, wherein said bar element is part of an inner pin  
10 tumbler (39b).

12. The combination according to any of claims 1-11, comprising a piezo-electric generator (60) arranged to convert mechanical power generated by inserting said key (20) into said core (30) to electrical  
15 power.

13. The combination according to claim 12, comprising a spring biased (56) striking pin (50) moveable by means of said key (20) to and from a position, wherein it exerts a force on said piezo-electric generator (60).

20 14. The combination according to claim 12 or 13, comprising means for supplying electric power generated by said piezo-electric generator (60) to said bendable element (42) so as to move said electronically controlled element (40) to its releasing position upon  
25 detection of correct optical code element (28, 28').

Fig.1

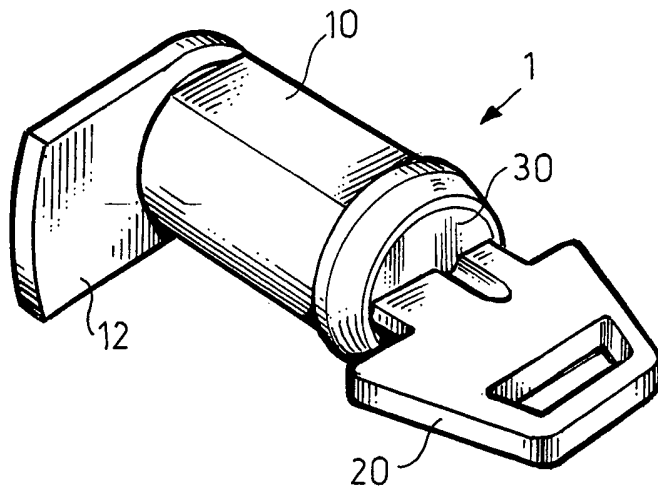


Fig.2

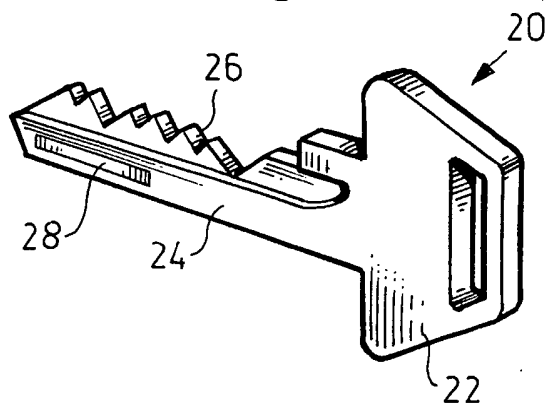


Fig. 3

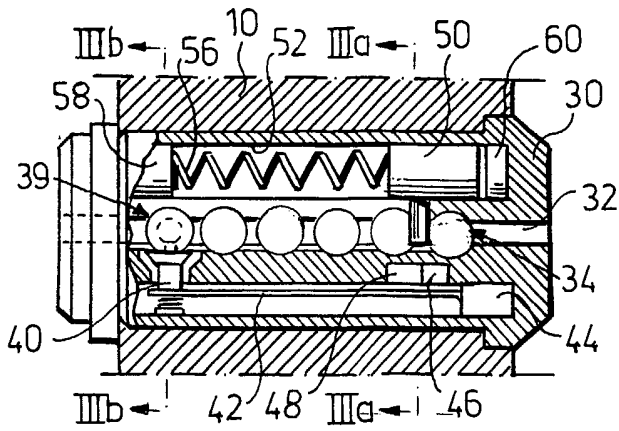


Fig. 3a

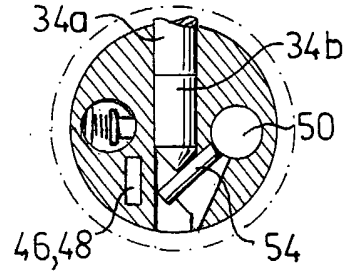


Fig. 3b

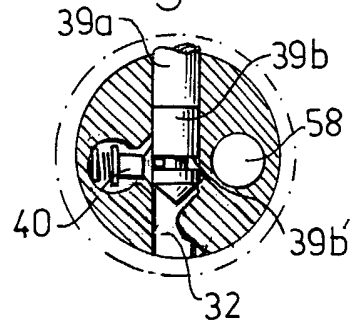


Fig. 4

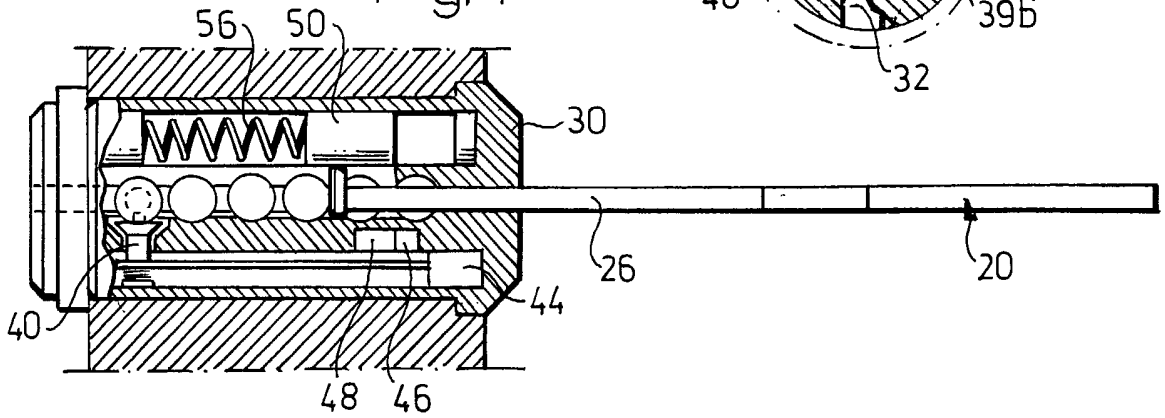


Fig. 5

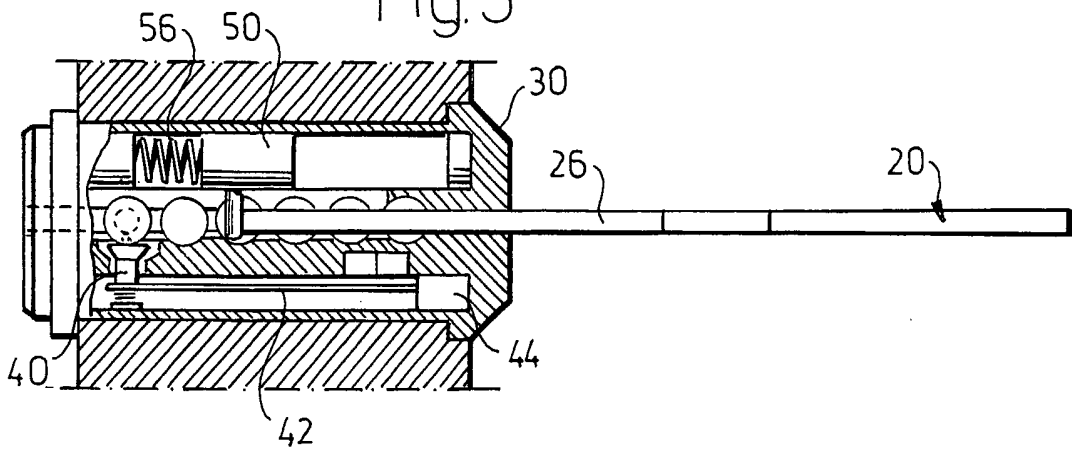


Fig.6

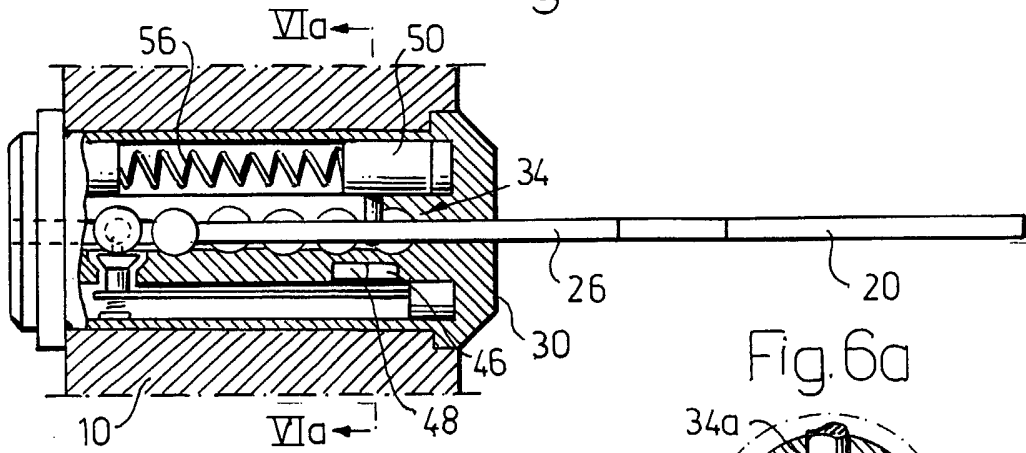
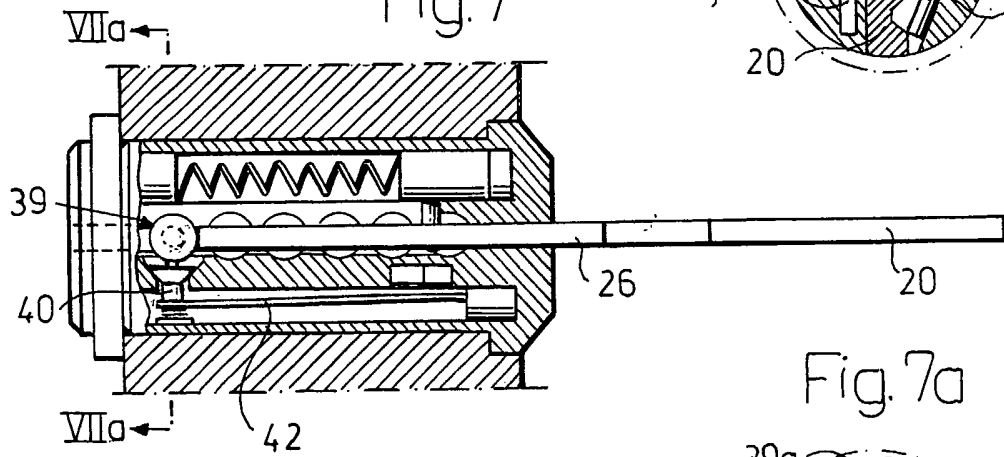


Fig.7



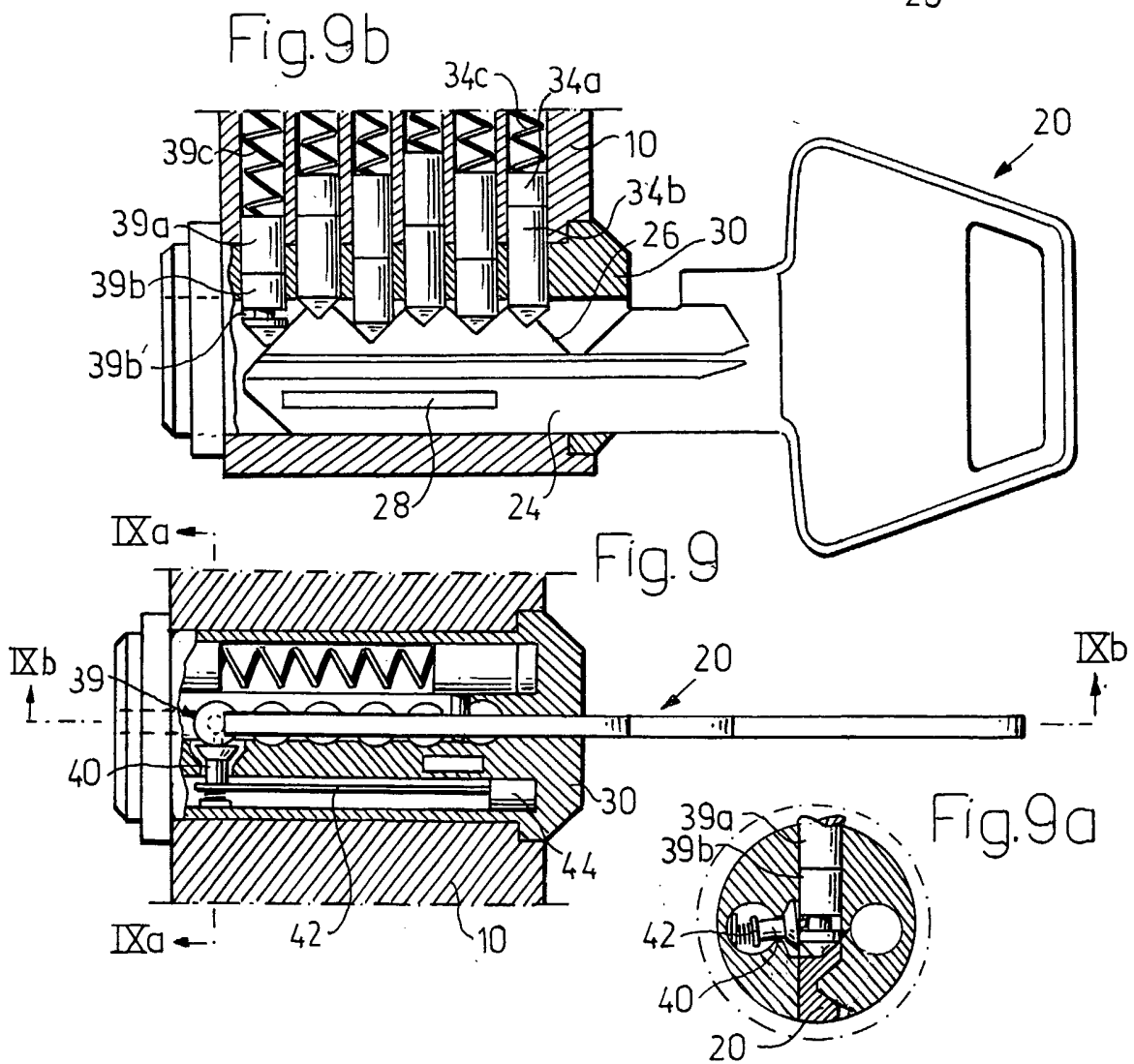
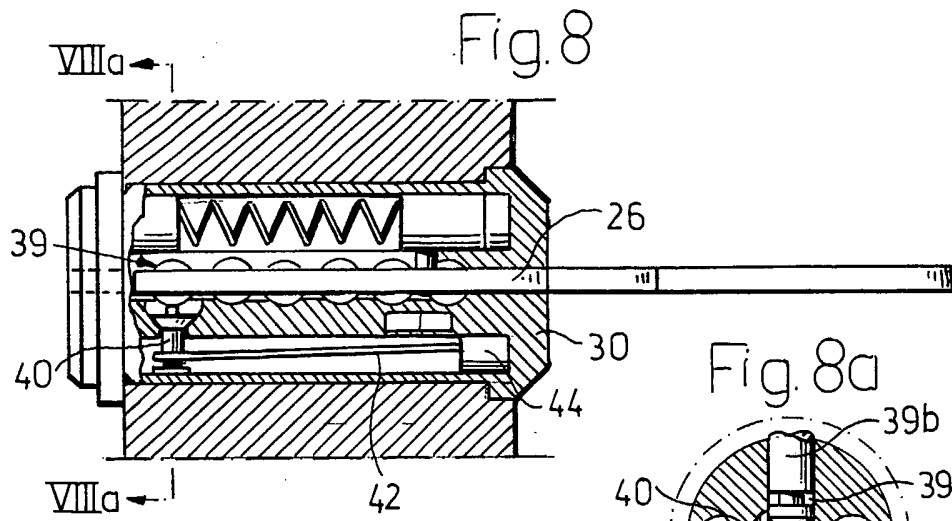


Fig.10

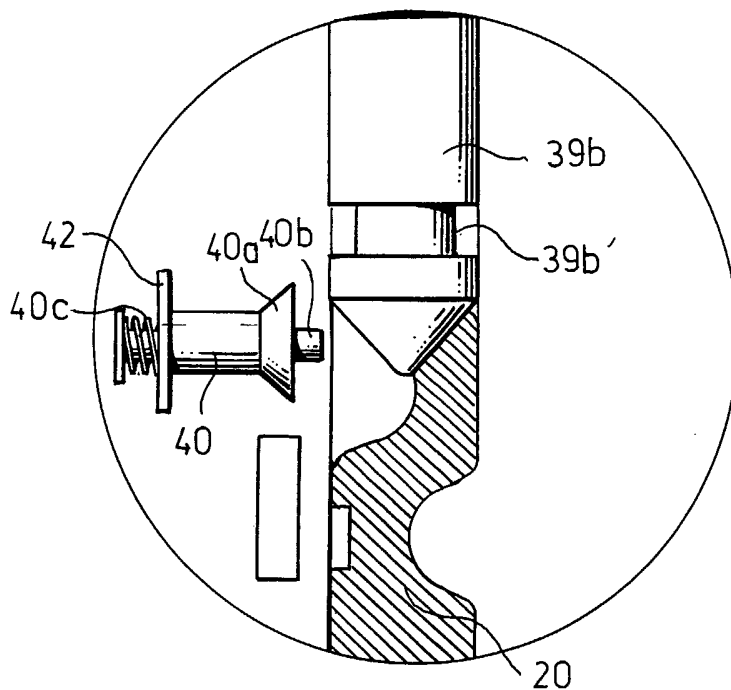
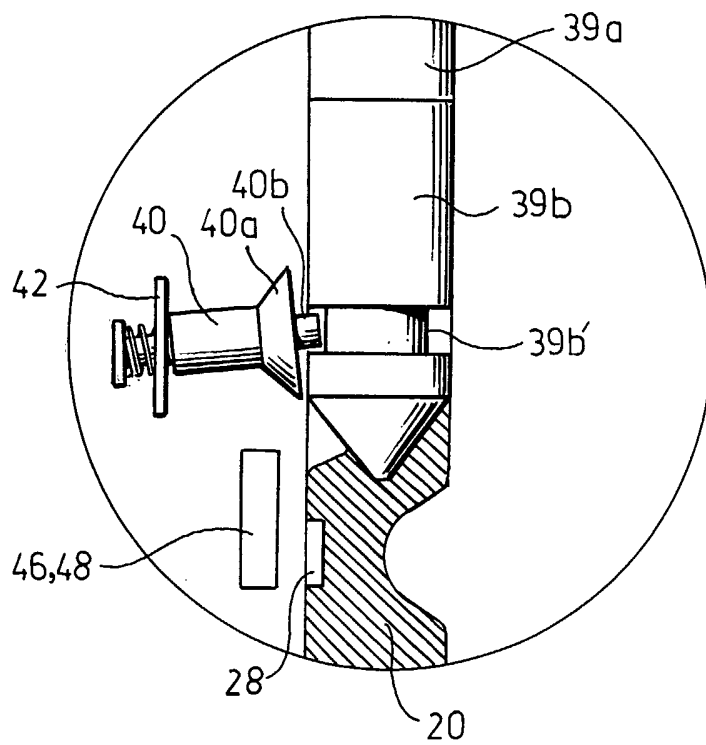


Fig.11



# INTERNATIONAL SEARCH REPORT

Information on patent family members

International Application No PCT/EP 03/03464
---

Patent document cited in search report		Publication date		Patent family member(s)	Publication date
FR 2801334	A	25-05-2001	DE	10057005 A1	23-08-2001
			FR	2801334 A1	25-05-2001
EP 0882858	A	09-12-1998	DE	19539235 A1	02-05-1996
			AT	179236 T	15-05-1999
			AT	209288 T	15-12-2001
			DE	59505700 D1	27-05-1999
			DE	59510002 D1	21-02-2002
			EP	0709533 A2	01-05-1996
			EP	0882858 A2	09-12-1998
			ES	2130494 T3	01-07-1999
			ES	2164399 T3	16-02-2002
US 5745045	A	28-04-1998	EP	0844952 A2	03-06-1998
			JP	2001504176 T	27-03-2001
			WO	9709209 A2	13-03-1997

# INTERNATIONAL SEARCH REPORT

Information on patent family members

International Application No

PCT/EP 03/03464

Patent document cited in search report	A	Publication date	Patent family member(s)	Publication date
FR 2801334	A	25-05-2001	DE 10057005 A1	23-08-2001
			FR 2801334 A1	25-05-2001
EP 0882858	A	09-12-1998	DE 19539235 A1	02-05-1996
			AT 179236 T	15-05-1999
			AT 209288 T	15-12-2001
			DE 59505700 D1	27-05-1999
			DE 59510002 D1	21-02-2002
			EP 0709533 A2	01-05-1996
			EP 0882858 A2	09-12-1998
			ES 2130494 T3	01-07-1999
			ES 2164399 T3	16-02-2002
US 5745045	A	28-04-1998	EP 0844952 A2	03-06-1998
			JP 2001504176 T	27-03-2001
			WO 9709209 A2	13-03-1997

**INTERNATIONAL SEARCH REPORT**

International Application No  
PCT/EP 03/03464

<b>A. CLASSIFICATION OF SUBJECT MATTER</b> IPC 7 E05B47/06		
According to International Patent Classification (IPC) or to both national classification and IPC		
<b>B. FIELDS SEARCHED</b>		
Minimum documentation searched (classification system followed by classification symbols) IPC 7 E05B		
Documentation searched other than minimum documentation to the extent that such documents are included in the fields searched		
Electronic data base consulted during the international search (name of data base and, where practical, search terms used) EPO-Internal		
<b>C. DOCUMENTS CONSIDERED TO BE RELEVANT</b>		
Category °	Citation of document, with indication, where appropriate, of the relevant passages	Relevant to claim No.
A	FR 2 801 334 A (SIEMENS AUTOMOTIVE CORP LP) 25 May 2001 (2001-05-25) page 13, line 15 -page 14, line 9 figure 12 ---	1
A	EP 0 882 858 A (KARRENBERG FA WILHELM ;ANKERSLOT BV (NL)) 9 December 1998 (1998-12-09) column 6, line 58 -column 7, line 29 figures 4,6,9 ---	1
A	US 5 745 045 A (KULCZYCKI JEFFREY L ET AL) 28 April 1998 (1998-04-28) column 3, line 10 - line 51 figures 1A,,1B -----	2,3
<input type="checkbox"/> Further documents are listed in the continuation of box C. <input checked="" type="checkbox"/> Patent family members are listed in annex.		
° Special categories of cited documents : *A* document defining the general state of the art which is not considered to be of particular relevance *E* earlier document but published on or after the international filing date *L* document which may throw doubts on priority claim(s) or which is cited to establish the publication date of another citation or other special reason (as specified) *O* document referring to an oral disclosure, use, exhibition or other means *P* document published prior to the international filing date but later than the priority date claimed *T* later document published after the international filing date or priority date and not in conflict with the application but cited to understand the principle or theory underlying the invention *X* document of particular relevance; the claimed invention cannot be considered novel or cannot be considered to involve an inventive step when the document is taken alone *Y* document of particular relevance; the claimed invention cannot be considered to involve an inventive step when the document is combined with one or more other such documents, such combination being obvious to a person skilled in the art. *&* document member of the same patent family		
Date of the actual completion of the international search  28 August 2003		Date of mailing of the international search report  22/09/2003
Name and mailing address of the ISA European Patent Office, P.B. 5818 Patentlaan 2 NL - 2280 HV Rijswijk Tel. (+31-70) 340-2040. Tx. 31 651 epo.nl, Fax: (+31-70) 340-3016		Authorized officer  Bitton, A

# INTERNATIONAL SEARCH REPORT

Information on patent family members

International Application No

PCT/EP 03/03464

Patent document cited in search report	A	Publication date	Patent family member(s)	Publication date
FR 2801334	A	25-05-2001	DE 10057005 A1 FR 2801334 A1	23-08-2001 25-05-2001
EP 0882858	A	09-12-1998	DE 19539235 A1 AT 179236 T AT 209288 T DE 59505700 D1 DE 59510002 D1 EP 0709533 A2 EP 0882858 A2 ES 2130494 T3 ES 2164399 T3	02-05-1996 15-05-1999 15-12-2001 27-05-1999 21-02-2002 01-05-1996 09-12-1998 01-07-1999 16-02-2002
US 5745045	A	28-04-1998	EP 0844952 A2 JP 2001504176 T WO 9709209 A2	03-06-1998 27-03-2001 13-03-1997