



US00D885226S

(12) **United States Design Patent**
Aylward

(10) **Patent No.:** **US D885,226 S**

(45) **Date of Patent:** **** May 26, 2020**

- (54) **ANCHOR BUOY** 4,529,388 A * 7/1985 Jones B63B 22/02
114/230.11
- (71) Applicant: **Maritime Heritage Marine Products, LLC, Cromwell, CT (US)** 4,602,586 A 7/1986 Ortloff
4,699,075 A 10/1987 Tortorici
5,328,353 A 7/1994 Keenan
D377,586 S * 1/1997 McBride D10/107
- (72) Inventor: **Allan Aylward, Cromwell, CT (US)** 5,690,047 A 11/1997 Holmes
D465,169 S * 11/2002 Gregorich D10/107
- (73) Assignee: **Maritime Heritage Marine Products, LLC, Cromwell, CT (US)** 6,488,554 B2 12/2002 Walker
7,201,624 B2 * 4/2007 Dyhrberg B63B 22/02
114/230.1

(**) Term: **15 Years**

(Continued)

(21) Appl. No.: **29/635,764**

FOREIGN PATENT DOCUMENTS

(22) Filed: **Feb. 2, 2018**

GB 2209146 B 2/1992

(51) **LOC (12) Cl.** **10-05**

(52) **U.S. Cl.**

OTHER PUBLICATIONS

USPC **D10/107**

(58) **Field of Classification Search**

USPC D10/107

CPC B63B 22/02; B63B 22/00; F03B 13/1865;

A01M 29/10

See application file for complete search history.

“Maritime Heritage Marine Products” available Aug. 23, 2018, [online], [site visited Jan. 14, 2019]. Retrieved from Internet, URL:https://web.archive.org/web/20180823231903/https://mhmp17.com/products/ (Year: 2018).*

Primary Examiner — Michael C Stout

Assistant Examiner — Katrina N Gonzalez

(56) **References Cited**

(74) *Attorney, Agent, or Firm* — Volpe and Koenig, P.C.

U.S. PATENT DOCUMENTS

- 2,354,441 A 7/1944 Diehl
- 2,381,394 A 8/1945 Beach, Jr.
- 2,701,375 A 2/1955 Ault
- 2,814,054 A 11/1957 Phillips
- 2,814,055 A 11/1957 Phillips
- 2,943,590 A 7/1960 Andersen
- 2,955,561 A 10/1960 Andersen
- 3,077,614 A 2/1963 Lloyd
- 3,110,046 A 11/1963 Fischer
- 3,195,498 A 7/1965 Johns
- 3,464,214 A 9/1969 King
- 3,568,228 A 3/1971 Rudelick
- 3,604,030 A 9/1971 Clafin
- 3,695,209 A 10/1972 Giese
- 3,950,806 A 4/1976 Puchois
- D247,354 S * 2/1978 Sinclair D10/107
- D248,840 S * 8/1978 Aesch, Sr. D10/107

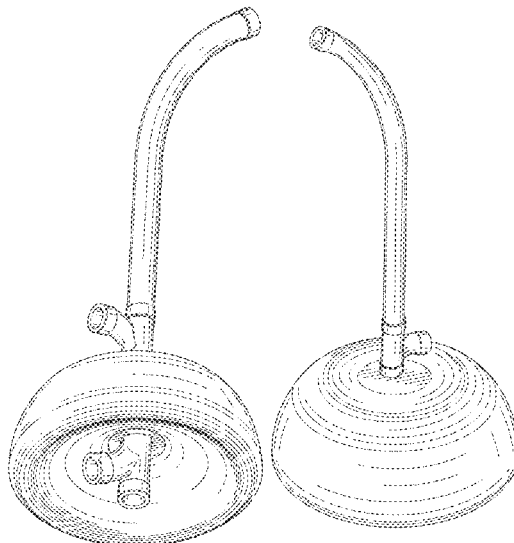
(57) **CLAIM**

The ornamental design for an anchor buoy, as shown and described.

DESCRIPTION

FIG. 1 is a bottom perspective view of my anchor buoy; FIG. 2 is top perspective view thereof; FIG. 3 is a front elevation view thereof; FIG. 4 is a rear elevation view thereof; FIG. 5 is a right side elevation view thereof; FIG. 6 is a left side elevation view thereof; FIG. 7 is a top plan view thereof; and, FIG. 8 is a bottom plan view thereof.

1 Claim, 7 Drawing Sheets



(56)

References Cited

U.S. PATENT DOCUMENTS

8,082,868	B1	12/2011	Johnson	
D826,762	S *	8/2018	Smith	D10/107
D845,809	S *	4/2019	Knapp	D10/107
2013/0052893	A1 *	2/2013	Golding	B63B 21/54 441/3
2018/0222555	A1 *	8/2018	Aylward	B63B 22/02
2019/0217926	A1 *	7/2019	Siegfriedsen	B63B 35/44
2019/0329844	A1 *	10/2019	Adams	H04B 1/3822

* cited by examiner

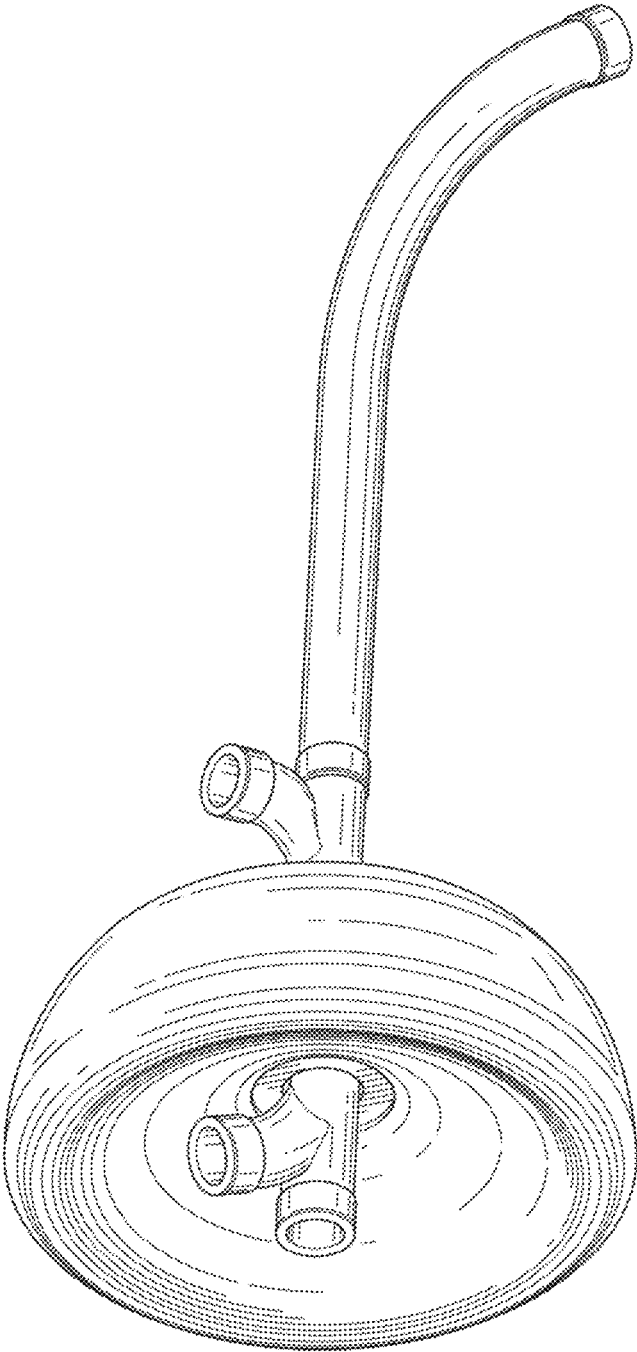


FIG. 1

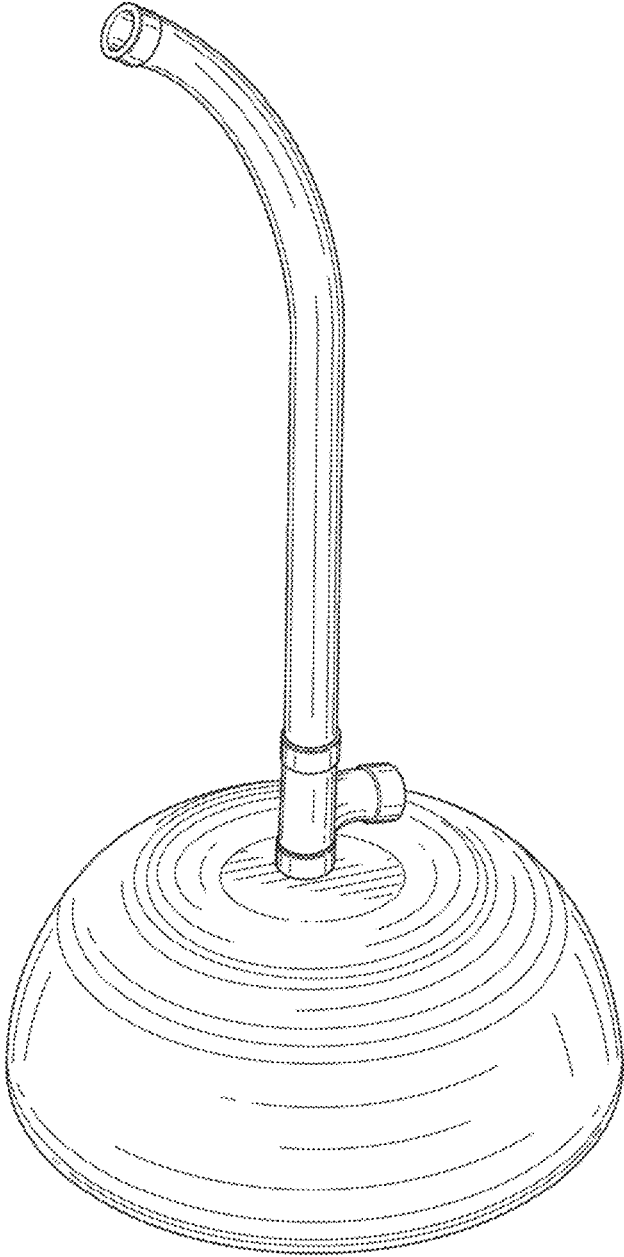


FIG. 2

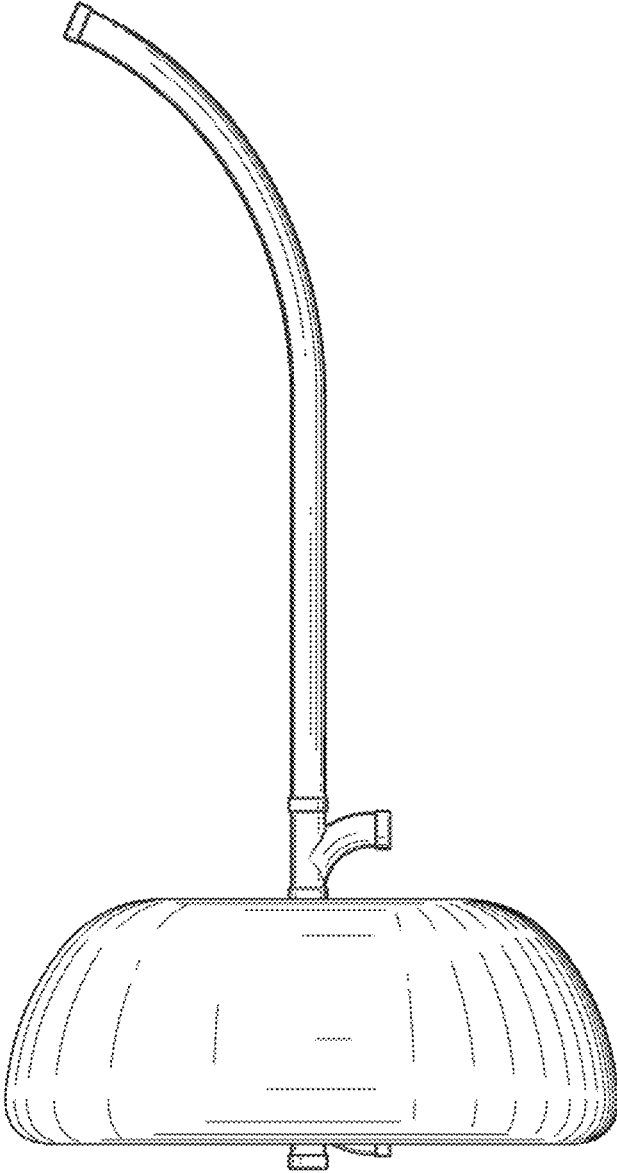


FIG. 3

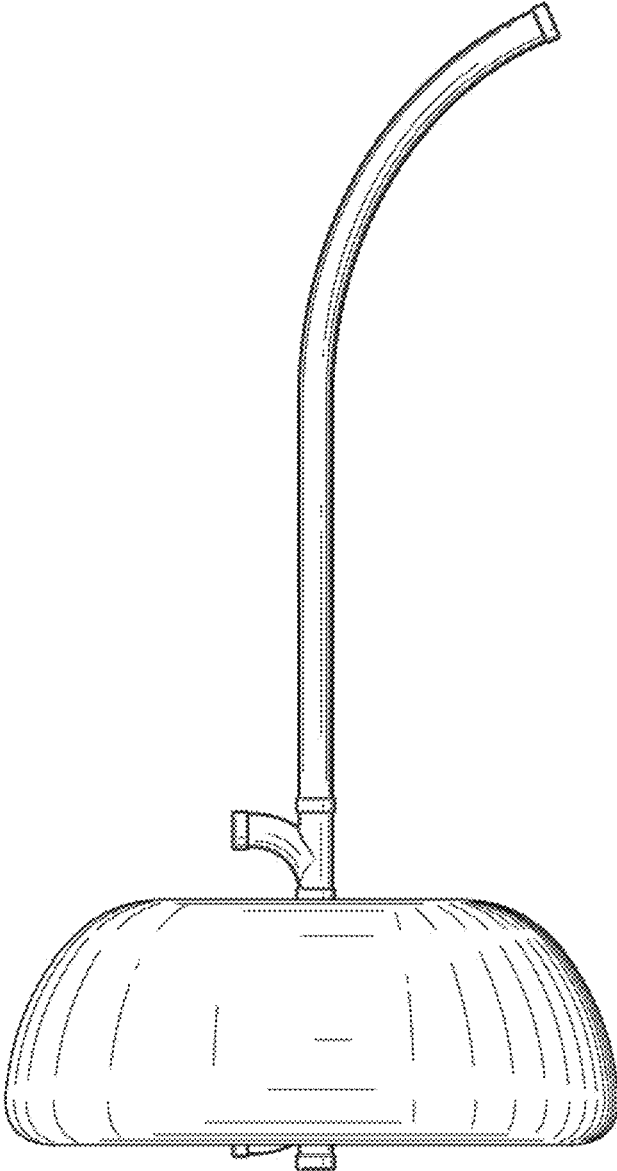


FIG. 4

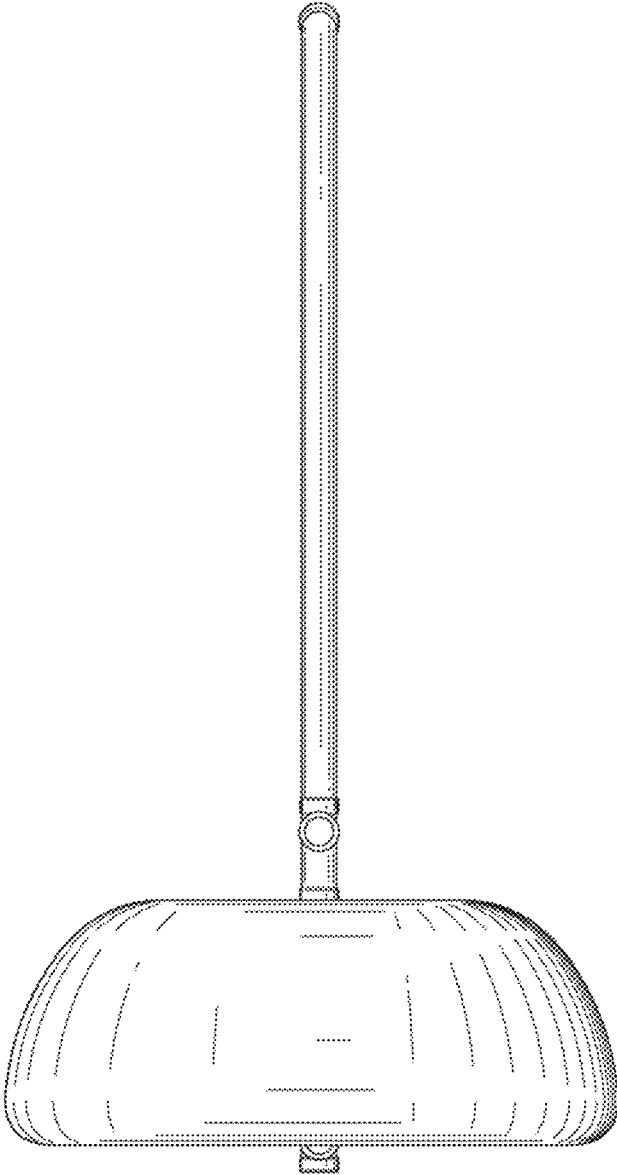


FIG. 5

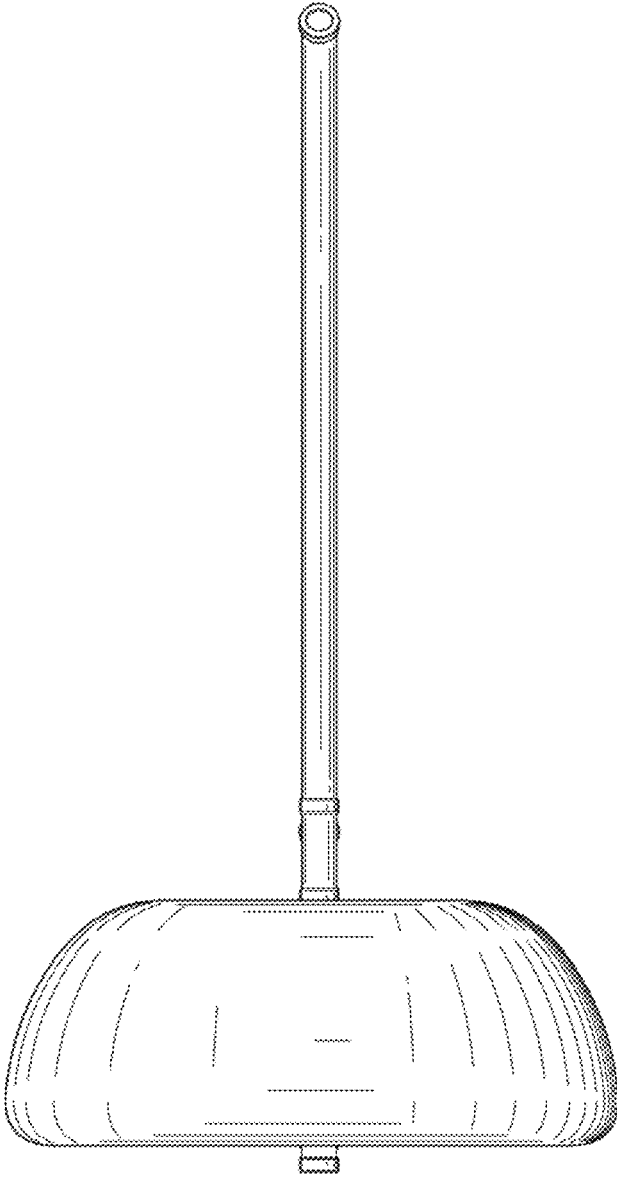


FIG. 6

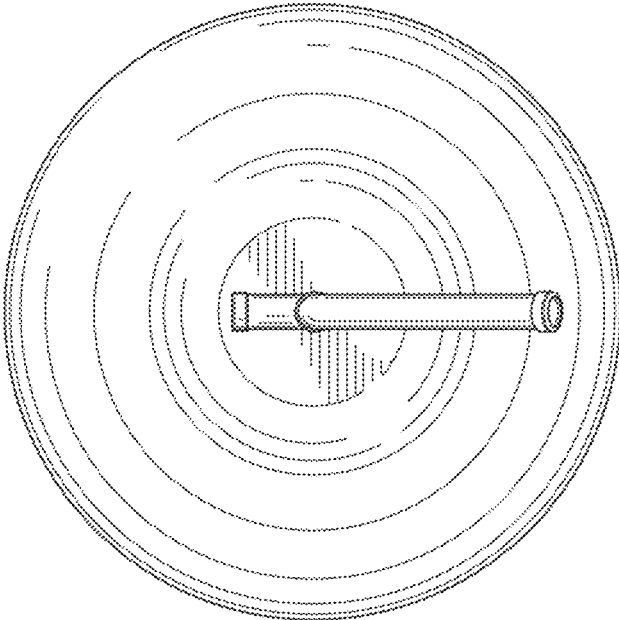


FIG. 7

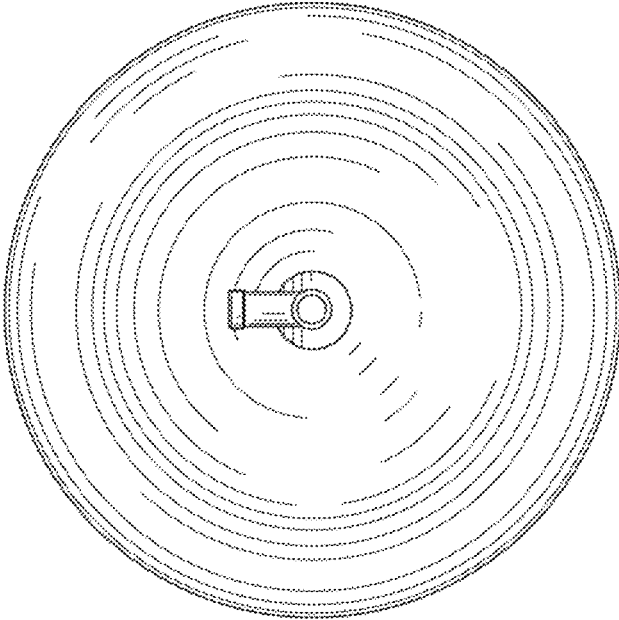


FIG. 8