

(19) World Intellectual Property Organization
International Bureau



(43) International Publication Date
16 July 2009 (16.07.2009)

(10) International Publication Number
WO 2009/089247 A3

(51) International Patent Classification:

E04B 2/72 (2006.01) *F16B 2/24* (2006.01)
E04F 13/06 (2006.01) *F16B 5/06* (2006.01)

(21) International Application Number:

PCT/US2009/030273

(22) International Filing Date:

7 January 2009 (07.01.2009)

(25) Filing Language:

English

(26) Publication Language:

English

(30) Priority Data:

11/970,747 8 January 2008 (08.01.2008) US

(71) Applicant (for all designated States except US): **BOARD MOUNT INC.** [US/US]; 2660 North East 7th Avenue, Pompano Beach, FL 33064 (US).

(72) Inventors; and

(75) Inventors/Applicants (for US only): **LACERTE, Marc, D.** [US/US]; 3900 Ne 23rd Terrace, Lighthouse Point, FL 33064 (US). **NADEAU, Richard** [CA/US]; 4421 Nw 6th

Court, Coconut Creek, FL 33066 (US). **DUHAIME, Trevor** [US/US]; 12154 Nw 73rd Street, Parkland, FL 33076 (US).

(74) Agents: **GEISLER, Brian, T.** et al.; K & L Gates LLP, Henry W. Oliver Building, 535 Smithfield Street, Pittsburgh, PA 15222-2312 (US).

(81) Designated States (unless otherwise indicated, for every kind of national protection available): AE, AG, AL, AM, AO, AT, AU, AZ, BA, BB, BG, BH, BR, BW, BY, BZ, CA, CH, CN, CO, CR, CU, CZ, DE, DK, DM, DO, DZ, EC, EE, EG, ES, FI, GB, GD, GE, GH, GM, GT, HN, HR, HU, ID, IL, IN, IS, JP, KE, KG, KM, KN, KP, KR, KZ, LA, LC, LK, LR, LS, LT, LU, LY, MA, MD, ME, MG, MK, MN, MW, MX, MY, MZ, NA, NG, NI, NO, NZ, OM, PG, PH, PL, PT, RO, RS, RU, SC, SD, SE, SG, SK, SL, SM, ST, SV, SY, TJ, TM, TN, TR, TT, TZ, UA, UG, US, UZ, VC, VN, ZA, ZM, ZW.

(84) Designated States (unless otherwise indicated, for every kind of regional protection available): ARIPO (BW, GH, GM, KE, LS, MW, MZ, NA, SD, SL, SZ, TZ, UG, ZM, ZW), Eurasian (AM, AZ, BY, KG, KZ, MD, RU, TJ,

[Continued on next page]

(54) Title: BOARD MOUNT

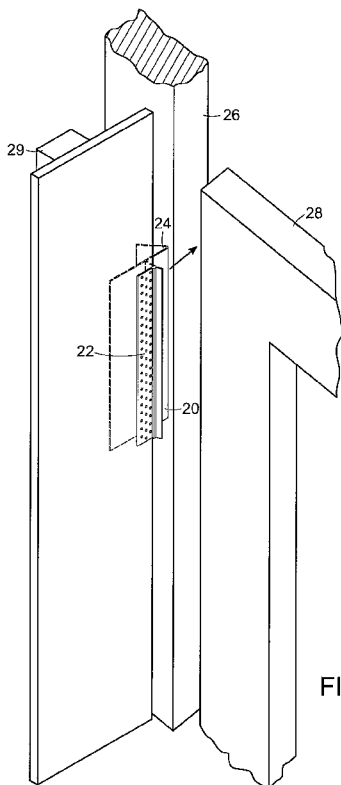


FIG. 8

(57) Abstract: A board mount which can be utilized to position a board relative to a building element (26+28). In various embodiments, the board mount can include a holder (22) for receiving at least a portion of a drywall board and, in addition, a flexible member (24) which can be inserted intermediate first (26) and second (28) building elements to retain the board holder (22) relative to one of the first (26) and second (28) building elements. The flexible member (24) can be configured to be deflected, or flexed, between a first configuration and a second configuration when the flexible member (24) is positioned intermediate the building elements (26+28). In use, the flexible member (24) can hold the board mount in place while only one laborer inserts the drywall board into the board holder (22).



WO 2009/089247 A3

TM), European (AT, BE, BG, CH, CY, CZ, DE, DK, EE, ES, FI, FR, GB, GR, HR, HU, IE, IS, IT, LT, LU, LV, MC, MK, MT, NL, NO, PL, PT, RO, SE, SI, SK, TR), OAPI (BF, BJ, CF, CG, CI, CM, GA, GN, GQ, GW, ML, MR, NE, SN, TD, TG).

Published:

- *with international search report (Art. 21(3))*
- *before the expiration of the time limit for amending the claims and to be republished in the event of receipt of amendments (Rule 48.2(h))*

Declarations under Rule 4.17:

- *as to applicant's entitlement to apply for and be granted a patent (Rule 4.17(ii))*
- *as to the applicant's entitlement to claim the priority of the earlier application (Rule 4.17(iii))*

(88) Date of publication of the international search report:

12 November 2009

INTERNATIONAL SEARCH REPORT

International application No
PCT/US2009/030273

A. CLASSIFICATION OF SUBJECT MATTER
INV. E04B2/72 E04F13/06 F16B2/24 F16B5/06

According to International Patent Classification (IPC) or to both national classification and IPC

B. FIELDS SEARCHED

Minimum documentation searched (classification system followed by classification symbols)
E04B E04F F16B

Documentation searched other than minimum documentation to the extent that such documents are included in the fields searched

Electronic data base consulted during the international search (name of data base and, where practical, search terms used)

EPO-Internal

C. DOCUMENTS CONSIDERED TO BE RELEVANT

Category*	Citation of document, with indication, where appropriate, of the relevant passages	Relevant to claim No.
X	US 4 683 622 A (OEHLKE DONALD N [US]) 4 August 1987 (1987-08-04) column 2, line 4 - line 36; figure 1	1-3, 5-8, 10-13, 15
Y	EP 1 382 772 A (KASSMANNHUBER PETER [AT]; MICK STEFAN MAG [AT]) 21 January 2004 (2004-01-21) paragraphs [0019], [0028]; figures 1, 2	4, 9, 14, 16-20
X	FR 1 234 649 A (TECKENTRUP K G) 18 October 1960 (1960-10-18)	1-3, 5-8, 10-13, 15
Y	the whole document	4, 9, 14, 16-20
X	GB 2 381 804 A (ROTH LEE ARNOLD [GB]) 14 May 2003 (2003-05-14) page 3, line 12 - line 29; figures 1-3	1-3, 6-8, 11-13

Further documents are listed in the continuation of Box C.

See patent family annex.

* Special categories of cited documents :

- *A* document defining the general state of the art which is not considered to be of particular relevance
- *E* earlier document but published on or after the international filing date
- *L* document which may throw doubts on priority claim(s) or which is cited to establish the publication date of another citation or other special reason (as specified)
- *O* document referring to an oral disclosure, use, exhibition or other means
- *P* document published prior to the international filing date but later than the priority date claimed

- *T* later document published after the international filing date or priority date and not in conflict with the application but cited to understand the principle or theory underlying the invention
- *X* document of particular relevance; the claimed invention cannot be considered novel or cannot be considered to involve an inventive step when the document is taken alone
- *Y* document of particular relevance; the claimed invention cannot be considered to involve an inventive step when the document is combined with one or more other such documents, such combination being obvious to a person skilled in the art
- *&* document member of the same patent family

Date of the actual completion of the international search

18 September 2009

Date of mailing of the international search report

25/09/2009

Name and mailing address of the ISA/

European Patent Office, P.B. 5818 Patentlaan 2
NL - 2280 HV Rijswijk
Tel. (+31-70) 340-2040,
Fax: (+31-70) 340-3016

Authorized officer

Valenta, Ivar

INTERNATIONAL SEARCH REPORT

Information on patent family members

International application No

PCT/US2009/030273

Patent document cited in search report	Publication date	Patent family member(s)	Publication date
US 4683622	A	04-08-1987	NONE
EP 1382772	A	21-01-2004	AT 407272 T SI 1382772 T1
FR 1234649	A	18-10-1960	NONE
GB 2381804	A	14-05-2003	NONE