



US00D514537S

(12) **United States Design Patent** (10) **Patent No.:** **US D514,537 S**
Villalobos et al. (45) **Date of Patent:** **** Feb. 7, 2006**

(54) **REAR PROJECTION TELEVISION**

D454,846 S * 3/2002 Goto D14/129
D457,507 S 5/2002 Lim et al.
D467,233 S 12/2002 Takemoto et al.
D473,853 S 4/2003 Inoue et al.
D485,538 S 1/2004 Goto et al.

(75) Inventors: **Ernesto Villalobos**, Chula Vista, CA
(US); **Sage Baker**, San Diego, CA
(US); **Masaaki Goto**, Niihama (JP)

(73) Assignee: **Matsushita Electric Industrial Co., Ltd.**, Osaka (JP)

(**) Term: **14 Years**

FOREIGN PATENT DOCUMENTS

JP D1076543 6/2000
JP D1121592 9/2001
JP D1155167 10/2002

(21) Appl. No.: **29/218,683**

(22) Filed: **Dec. 6, 2004**

(51) **LOC (8) Cl.** **14-03**

(52) **U.S. Cl.** **D14/128**

(58) **Field of Classification Search** D14/125-134,
D14/239, 371, 382, 374-377; 312/7.2; 348/836,
348/838, 180, 184, 325, 739, 825; 341/12;
248/917-924; 345/104, 133, 156, 168, 87,
345/173; 353/74; D21/325

See application file for complete search history.

OTHER PUBLICATIONS

Good Guys catalog, p. 10, 2003.*
Good Guys catalog, rear cover, 2001.*

* cited by examiner

Primary Examiner—Raphael Barkai

(74) *Attorney, Agent, or Firm*—Brinks Hofer Gilson & Lione

(56) **References Cited**

U.S. PATENT DOCUMENTS

D269,677 S * 7/1983 Kashima et al. D14/134
D306,464 S * 3/1990 Axtell D21/325
D313,431 S * 1/1991 Jaskiel et al. D14/371
D324,517 S * 3/1992 Barbieri D14/126
D368,087 S 3/1996 Gioscia
D376,588 S * 12/1996 Shinano D14/374
D381,651 S * 7/1997 Banik et al. D14/382
D389,462 S * 1/1998 Johns et al. D14/375
D394,248 S * 5/1998 Duan D14/375
5,929,945 A * 7/1999 Negishi et al. 348/825
D416,005 S * 11/1999 Paek D14/379
D417,659 S * 12/1999 Takemasa D14/374
D418,832 S 1/2000 Tsuge
D429,486 S * 8/2000 Aeschbacher et al. D14/377
D431,232 S 9/2000 Yokoyama et al.
D441,732 S 5/2001 Ota

(57) **CLAIM**

We claim the ornamental design for a rear projection television, as shown and described.

DESCRIPTION

FIG. 1 is a front perspective view of a rear projection television of the present invention; FIG. 2 is a rear perspective view thereof; FIG. 3 is a front view thereof; FIG. 4 is a first side view thereof; FIG. 5 is a rear view thereof; FIG. 6 is a second side view thereof; FIG. 7 is a top view thereof; and, FIG. 8 is a bottom view thereof. The ornamental design which is claimed is shown in solid lines in the drawings. Any broken lines in the drawings are for illustrative purposes only and form no part of the claimed design.

1 Claim, 4 Drawing Sheets

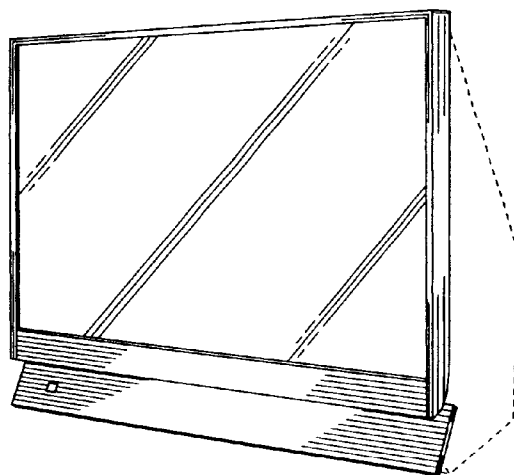


Fig. 1

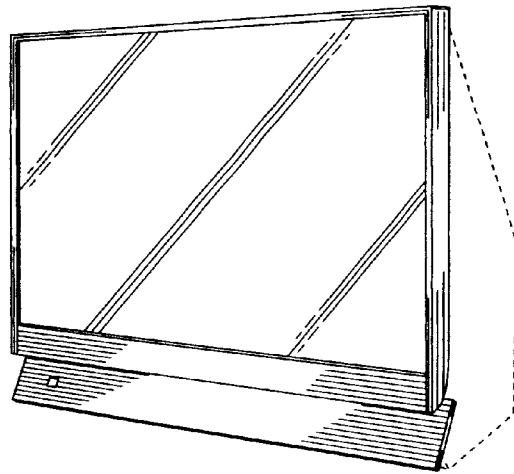


Fig. 2

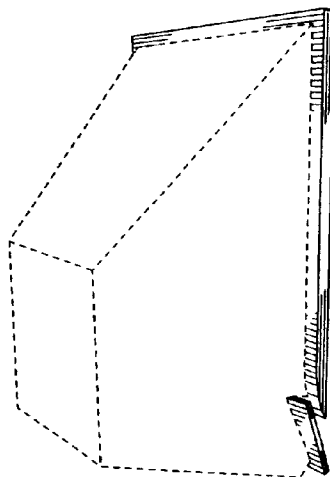


Fig.3

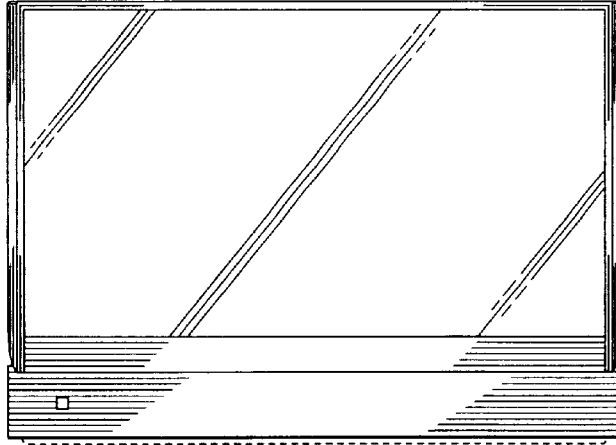


Fig.4

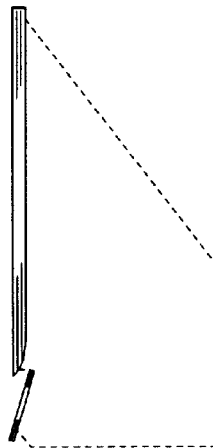


Fig.5

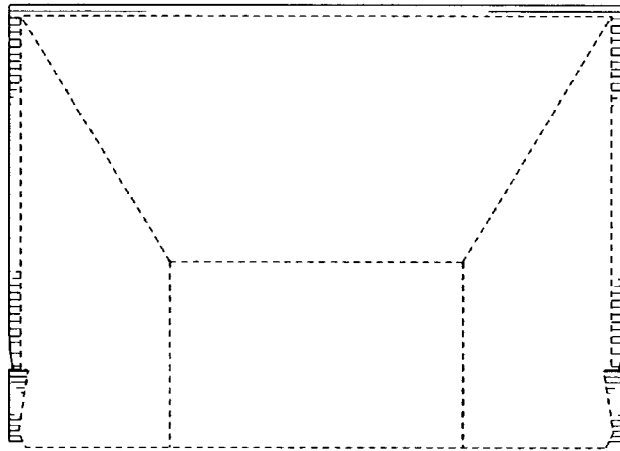


Fig.6

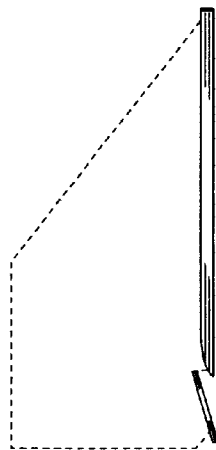


Fig7

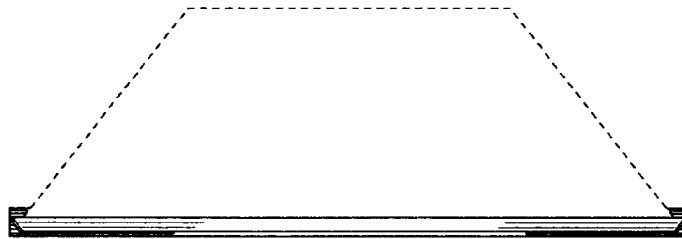


Fig.8

