



US00D803586S

(12) **United States Design Patent**  
**Segasby**

(10) **Patent No.:** **US D803,586 S**

(45) **Date of Patent:** **\*\* \*Nov. 28, 2017**

- (54) **FOOTWEAR HANGER**
- (71) Applicant: **Phineas Products Limited**, Bristol (GB)
- (72) Inventor: **Mark Segasby**, Kirby Muxloe (BG)
- (73) Assignee: **Phineas Products Limited** (GB)
- (\* ) Notice: This patent is subject to a terminal disclaimer.
- (\*\*) Term: **14 Years**
- (21) Appl. No.: **29/526,025**
- (22) Filed: **May 5, 2015**
- (51) **LOC (10) Cl.** ..... **06-08**
- (52) **U.S. Cl.** ..... **D6/315**
- (58) **Field of Classification Search**  
USPC ..... D6/315-328; 223/85-98; 211/1, 13.1, 211/34, 85.3, 113  
CPC ..... A47G 25/005; A47G 25/28; A47G 25/36; A47G 25/743; A47G 25/1457; A47F 7/08; A47F 7/19  
See application file for complete search history.

D342,612	S *	12/1993	McIntyre	.....	D6/315
D393,751	S *	4/1998	Liang	.....	D6/315
7,219,821	B2 *	5/2007	Weal	.....	A47G 25/005
					223/85
D553,864	S *	10/2007	Weal	.....	D6/315
D631,671	S *	2/2011	Segasby	.....	D6/315
8,651,344	B2 *	2/2014	Norman	.....	A47G 25/005
					223/87
D735,027	S *	7/2015	Fildan	.....	D9/415
2002/0104858	A1 *	8/2002	Woodworth	.....	A47G 25/483
					223/85
2011/0247185	A1 *	10/2011	Bolden	.....	A43B 3/00
					24/716
2013/0221040	A1 *	8/2013	Wright	.....	A47G 25/005
					223/85

\* cited by examiner

*Primary Examiner* — Lauren Calve  
(74) *Attorney, Agent, or Firm* — Tumej L.L.P.

(57) **CLAIM**

The ornamental design for a footwear hanger, as shown and described.

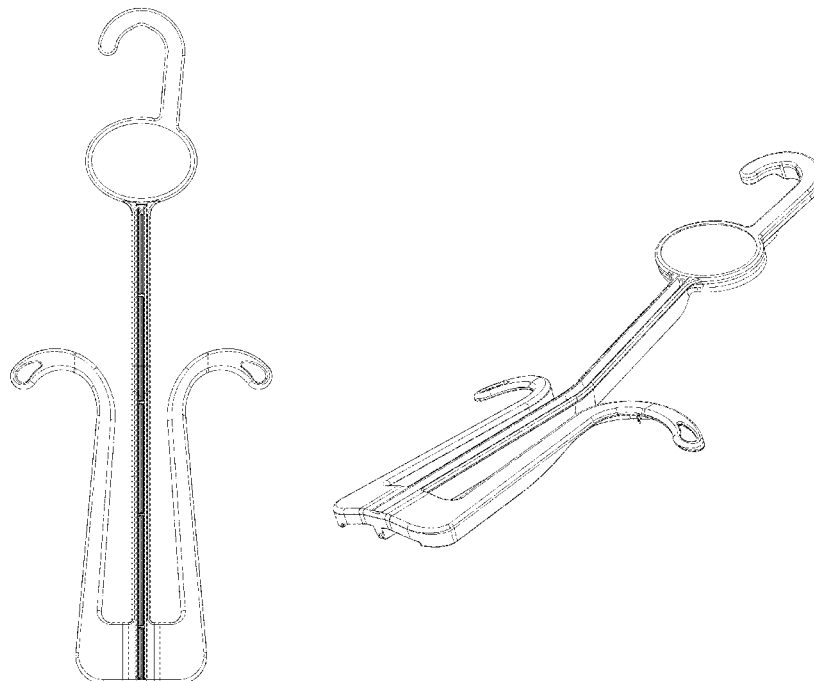
**DESCRIPTION**

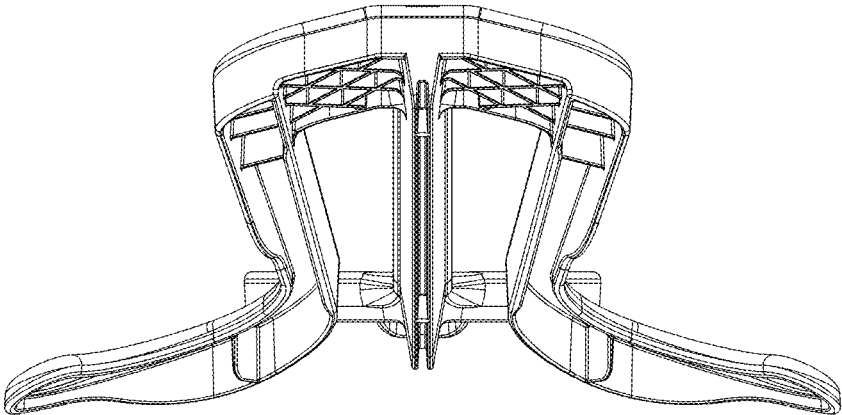
FIG. 1 is a bottom view of a footwear hanger showing the new design;  
FIG. 2 is a front view of the footwear hanger;  
FIG. 3 is a perspective view of the footwear hanger of FIG. 1;  
FIG. 4 is a rear view of the footwear hanger of FIG. 1;  
FIG. 5 is a side view of the footwear hanger of FIG. 1; and  
FIG. 6 is a top view of the footwear hanger of FIG. 1.

**1 Claim, 6 Drawing Sheets**

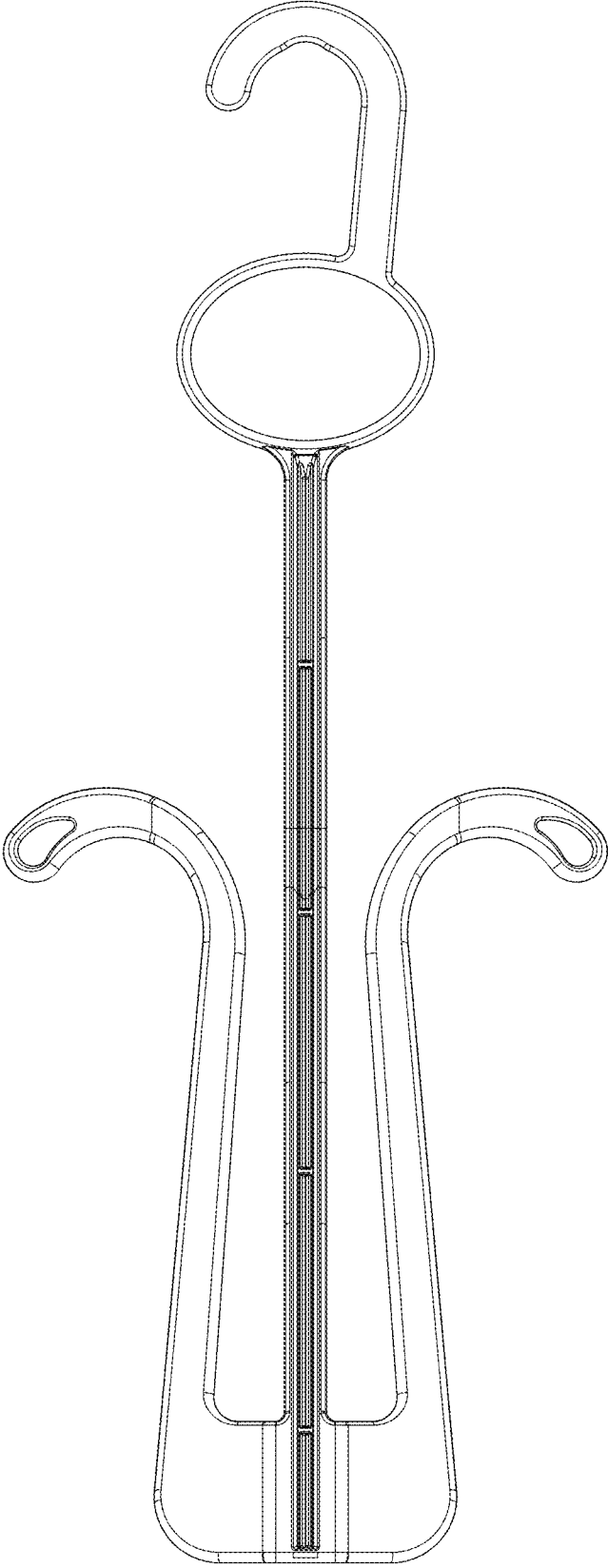
(56) **References Cited**  
U.S. PATENT DOCUMENTS

D296,046	S *	6/1988	Marshall	.....	D6/315
4,823,962	A *	4/1989	Arias	.....	A47G 25/005
					211/113
4,978,043	A *	12/1990	Uke	.....	A47G 25/16
					211/113
D324,781	S *	3/1992	Uke	.....	D6/315

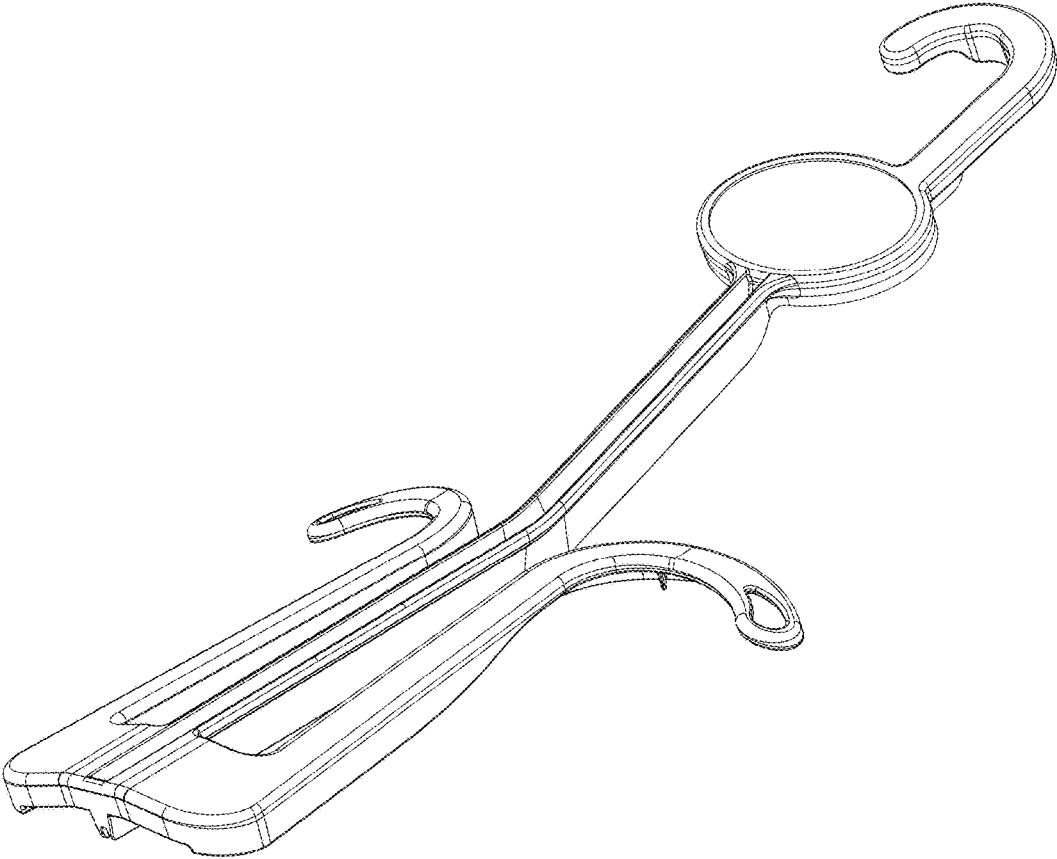




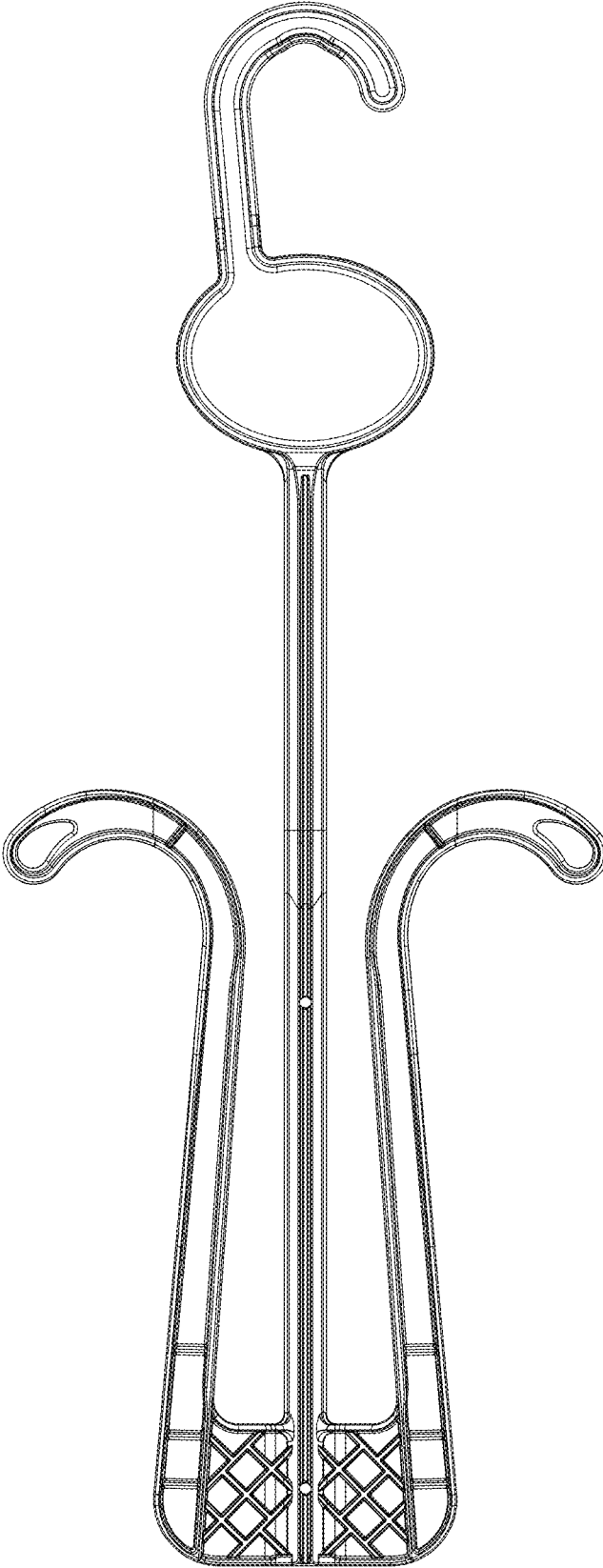
**FIG. 1**



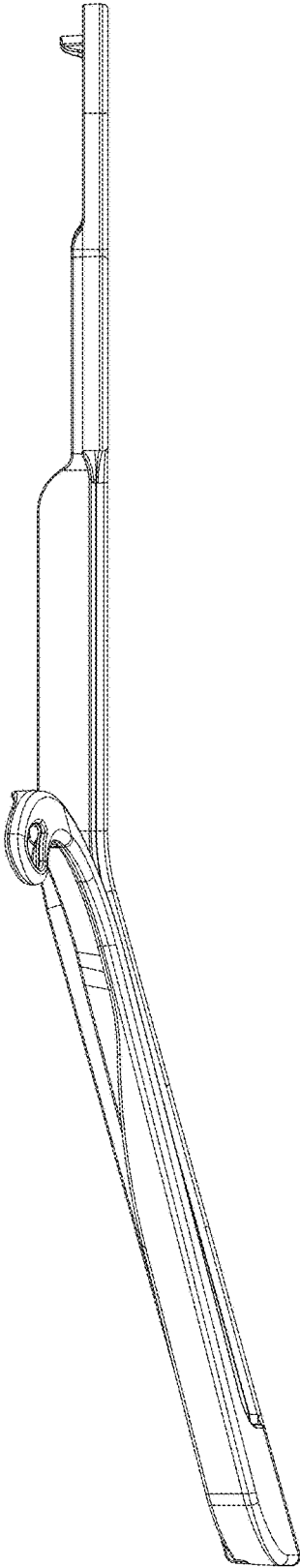
**FIG. 2**



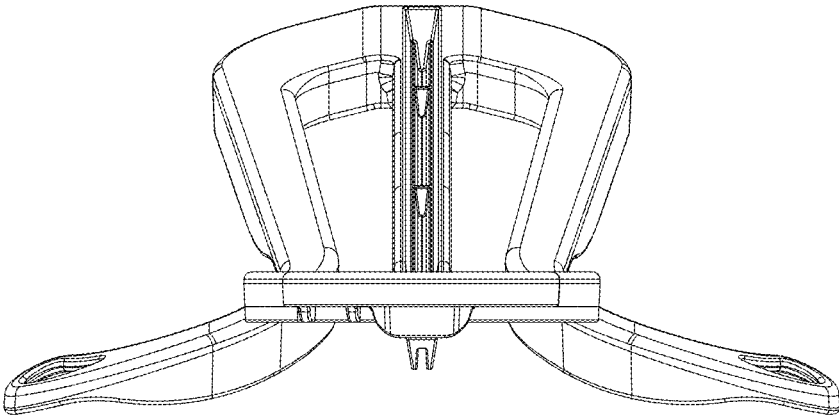
**FIG. 3**



**FIG. 4**



**FIG. 5**



**FIG. 6**