



US00D343339S

United States Patent [19]

[11] Patent Number: **Des. 343,339**

Merwin

[45] Date of Patent: **** Jan. 18, 1994**

[54] **FILTER HOLDER**

[75] Inventor: **Jack Merwin, St. Augustine, Fla.**

[73] Assignee: **Tudor Development Corp., Rockville, Md.**

[**] Term: **14 Years**

[21] Appl. No.: **868,780**

[22] Filed: **Apr. 15, 1992**

[52] U.S. Cl. **D7/601**

[58] **Field of Search** **D3/35; D6/407, 475, D6/512, 545, 553-554; D7/601, 631, 632; 211/10, 11, 40, 42, 45, 50, 71; D19/65, 75-79, 85-88, 90, 92, 95, 99, 100**

[56] **References Cited**

U.S. PATENT DOCUMENTS

- D. 299,037 12/1988 Klodt D19/90
- D. 335,611 5/1993 Petrallia D7/601

*Primary Examiner—Terry A. Wallace
Attorney, Agent, or Firm—Breiner & Breiner*

[57] **CLAIM**

The ornamental design for a filter holder, as shown and described.

DESCRIPTION

FIG. 1 is a perspective view of the filter holder showing my new design;
 FIG. 2 is a front elevational view thereof;
 FIG. 3 is a rear elevational view thereof;
 FIG. 4 is a side elevational view thereof, the opposite side being a mirror image;
 FIG. 5 is a top plan view thereof;
 FIG. 6 is a bottom plan view thereof;
 FIG. 7 is a top plan view of an alternate embodiment of FIG. 1, the rear, bottom and side views are the same as those shown in the first embodiment; and,
 FIG. 8 is a front elevational view of FIG. 7.

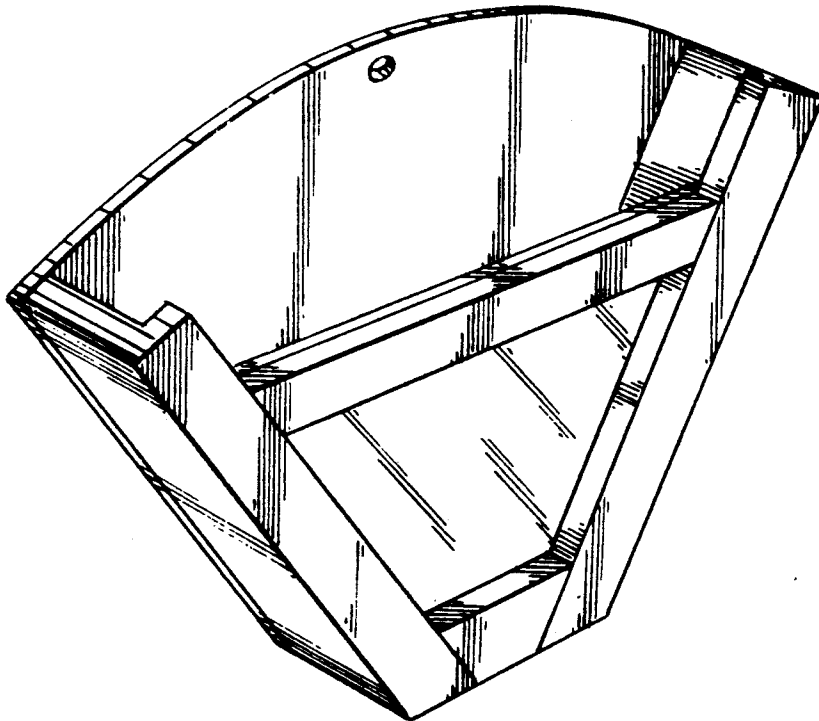


FIG. 1

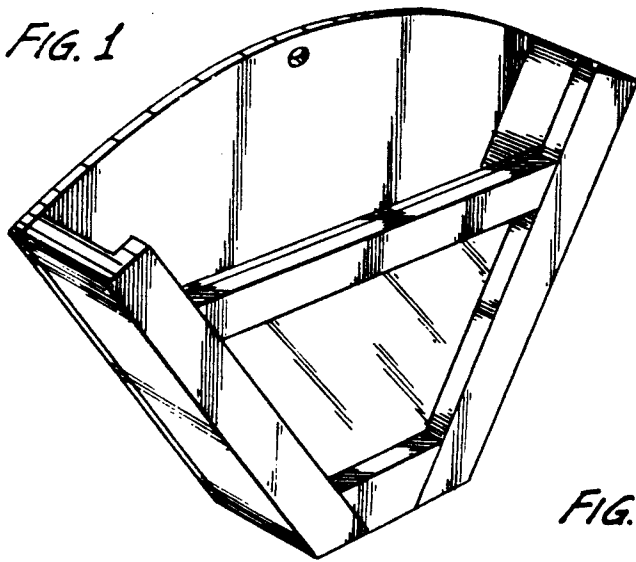


FIG. 4



FIG. 2

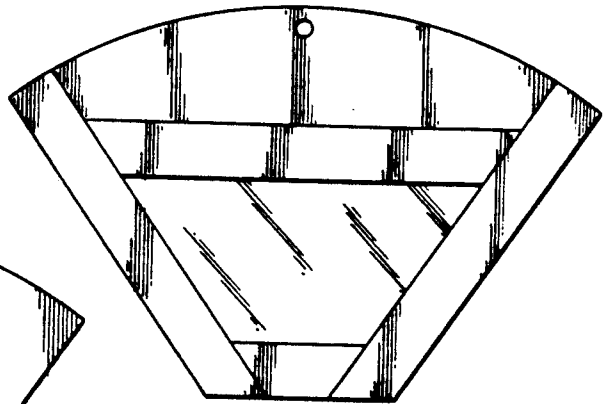


FIG. 3

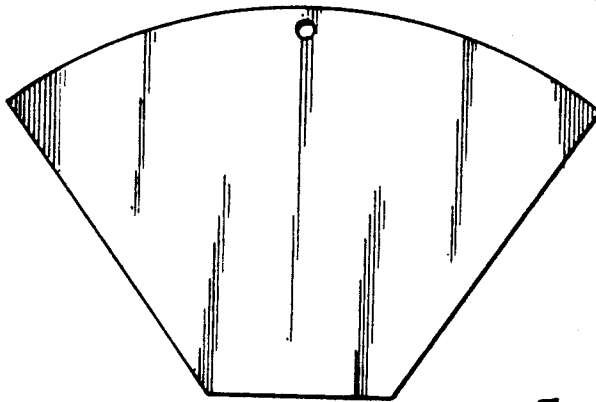


FIG. 5



FIG. 6

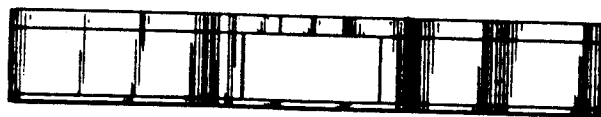


FIG. 7

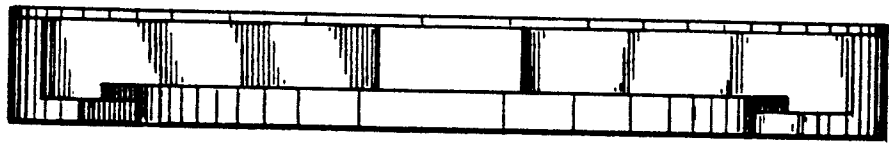


FIG. 8

