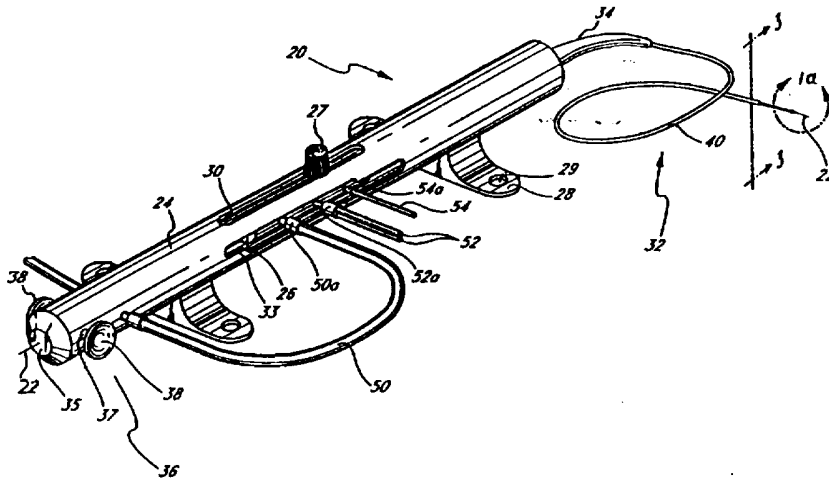




INTERNATIONAL APPLICATION PUBLISHED UNDER THE PATENT COOPERATION TREATY (PCT)

<p>(51) International Patent Classification <sup>5</sup> : <b>A61B 5/00</b></p>	<p><b>A3</b></p>	<p>(11) International Publication Number: <b>WO 94/06347</b></p>
<p>(21) International Application Number: PCT/US93/09033                  (22) International Filing Date: 23 September 1993 (23.09.93)                  (30) Priority data:                  07/949,908 23 September 1992 (23.09.92) US                  (71) Applicant: PILOT CARDIOVASCULAR SYSTEMS, INC. [US/US]; 1062-F Calle Negocio, San Clemente, CA 92672 (US).                  (72) Inventors: HAMMERSLAG, Julius, G. ; 27011 Calle Esperanza, San Juan Capistrano, CA 92675 (US). DIVINO, Vincent ; 24436 Muela, Mission Viejo, CA 92692 (US).</p>		<p>(43) International Publication Date: 31 March 1994 (31.03.94)                  (74) Agents: SWEEDLER, Michael, J. et al.; Darby &amp; Darby, 805 Third Avenue, New York, NY 10022 (US).                  (81) Designated States: AT, AU, BB, BG, BR, BY, CA, CH, CZ, DE, DK, ES, FI, GB, HU, JP, KP, KR, KZ, LK, LU, LV, MG, MN, MW, NL, NO, NZ, PL, PT, RO, RU, SD, SE, SK, UA, UZ, VN, European patent (AT, BE, CH, DE, DK, ES, FR, GB, GR, IE, IT, LU, MC, NL, PT, SE), OAPI patent (BF, BJ, CF, CG, CI, CM, GA, GN, ML, MR, NE, SN, TD, TG).                  Published                  With international search report.                  Before the expiration of the time limit for amending the claims and to be republished in the event of the receipt of amendments.                  (88) Date of publication of the international search report:                  11 May 1994 (11.05.94)</p>

(54) Title: ROTATIONAL ATHERECTOMY GUIDEWIRE



(57) Abstract

Disclosed is a guide wire (22) particularly suited for use in rotational atherectomy. The guide wire (22) has increased lateral flexibility in the distal region, and a substantially constant diameter throughout. The exterior diameter at any point is substantially equal to the sum of the diameter of the central core wire (70), and twice the diameter of the wire of the spring coil (72), if any, mounted thereon. At proximal portions of the guide wire, the outer spring coil may be deleted. A rotational atherectomy device (20) is used with guide wire (22). Device (20) includes tubular body (24), catheter body (32), rotatable sleeve (42), and cutting burr (44).

**FOR THE PURPOSES OF INFORMATION ONLY**

Codes used to identify States party to the PCT on the front pages of pamphlets publishing international applications under the PCT.

AT	Austria	GB	United Kingdom	MR	Mauritania
AU	Australia	GE	Georgia	MW	Malawi
BB	Barbados	GN	Guinea	NE	Niger
BE	Belgium	GR	Greece	NL	Netherlands
BF	Burkina Faso	HU	Hungary	NO	Norway
BG	Bulgaria	IE	Ireland	NZ	New Zealand
BJ	Benin	IT	Italy	PL	Poland
BR	Brazil	JP	Japan	PT	Portugal
BY	Belarus	KE	Kenya	RO	Romania
CA	Canada	KG	Kyrgyzstan	RU	Russian Federation
CF	Central African Republic	KP	Democratic People's Republic of Korea	SD	Sudan
CC	Congo	KR	Republic of Korea	SE	Sweden
CH	Switzerland	KZ	Kazakhstan	SI	Slovenia
CI	Côte d'Ivoire	LJ	Liechtenstein	SK	Slovakia
CM	Cameroon	LK	Sri Lanka	SN	Senegal
CN	China	LU	Luxembourg	TD	Chad
CS	Czechoslovakia	LV	Latvia	TC	Togo
CZ	Czech Republic	MC	Monaco	TJ	Tajikistan
DE	Germany	MD	Republic of Moldova	TT	Trinidad and Tobago
DK	Denmark	MG	Madagascar	UA	Ukraine
ES	Spain	ML	Mali	US	United States of America
FI	Finland	MN	Mongolia	UZ	Uzbekistan
FR	France			VN	Viet Nam
GA	Gabon				

INTERNATIONAL SEARCH REPORT

International application No.  
PCT/US93/09033

**A. CLASSIFICATION OF SUBJECT MATTER**  
 IPC(5) :A61B 5/00  
 US CL :128/772  
 According to International Patent Classification (IPC) or to both national classification and IPC

**B. FIELDS SEARCHED**  
 Minimum documentation searched (classification system followed by classification symbols)  
 U.S. : 128/657, 772; 606/167,170, 171

Documentation searched other than minimum documentation to the extent that such documents are included in the fields searched  
 None

Electronic data base consulted during the international search (name of data base and, where practicable, search terms used)  
 None

**C. DOCUMENTS CONSIDERED TO BE RELEVANT**

Category*	Citation of document, with indication, where appropriate, of the relevant passages	Relevant to claim No.
X --- Y	US, A, 5,063,935, (Gambale), 12 November 1991. See entire reference.	1-4, 6, 7 ----- 5, 8-11
Y	US, A, 4,631,052, (Kensey), 23 December 1986. See Figs. 8 and 9.	10, 11

Further documents are listed in the continuation of Box C.  See patent family annex.

* Special categories of cited documents:	"T" later document published after the international filing date or priority date and not in conflict with the application but cited to understand the principle or theory underlying the invention
"A" document defining the general state of the art which is not considered to be part of particular relevance	"X" document of particular relevance; the claimed invention cannot be considered novel or cannot be considered to involve an inventive step when the document is taken alone
"E" earlier document published on or after the international filing date	"Y" document of particular relevance; the claimed invention cannot be considered to involve an inventive step when the document is combined with one or more other such documents, such combination being obvious to a person skilled in the art
"L" document which may throw doubts on priority claim(s) or which is cited to establish the publication date of another citation or other special reason (as specified)	"A" document member of the same patent family
"O" document referring to an oral disclosure, use, exhibition or other means	
"P" document published prior to the international filing date but later than the priority date claimed	

Date of the actual completion of the international search 21 JANUARY 1994	Date of mailing of the international search report 07 APR 1994
Name and mailing address of the ISA/US Commissioner of Patents and Trademarks Box PCT Washington, D.C. 20231 Facsimile No. NOT APPLICABLE	Authorized officer: <i>Andre Robinson</i> MAX HINDENBURG Telephone No. (703) 308-3130