



US00D540791S

(12) **United States Design Patent**  
**Wang**

(10) **Patent No.:** **US D540,791 S**

(45) **Date of Patent:** **\*\* Apr. 17, 2007**

(54) **COMPUTER CASING**

D452,239 S \* 12/2001 Kitayama et al. .... D14/349

(75) Inventor: **Jen-Yu Wang**, Chung-Ho (TW)

FOREIGN PATENT DOCUMENTS

(73) Assignee: **Cooler Master Co., Ltd.**, Taipei Hsien (TW)

DE M9401677 \* 10/1994  
JP 1048621 \* 9/1999

(\*\*) Term: **14 Years**

\* cited by examiner

(21) Appl. No.: **29/245,034**

*Primary Examiner*—Freda S. Nunn

(22) Filed: **Dec. 19, 2005**

(74) *Attorney, Agent, or Firm*—Rabin & Berdo, P.C.

(30) **Foreign Application Priority Data**

(57) **CLAIM**

Jul. 14, 2005 (TW) ..... 94304227

The ornamental design for a computer casing, as shown and described.

(51) **LOC (8) Cl.** ..... **14-02**

**DESCRIPTION**

(52) **U.S. Cl.** ..... **D14/349**

FIG. 1 is a perspective view of a computer casing showing my new design;

(58) **Field of Classification Search** ..... D14/349-356;

FIG. 2 is a front view thereof;

D13/162, 184, 199; 312/223.2, 265.6; 361/680-686, 361/690-696; 369/34.01, 36.01

FIG. 3 is a rear view thereof;

See application file for complete search history.

FIG. 4 is a right view thereof;

FIG. 5 is a top view thereof;

FIG. 6 is a bottom view thereof; and,

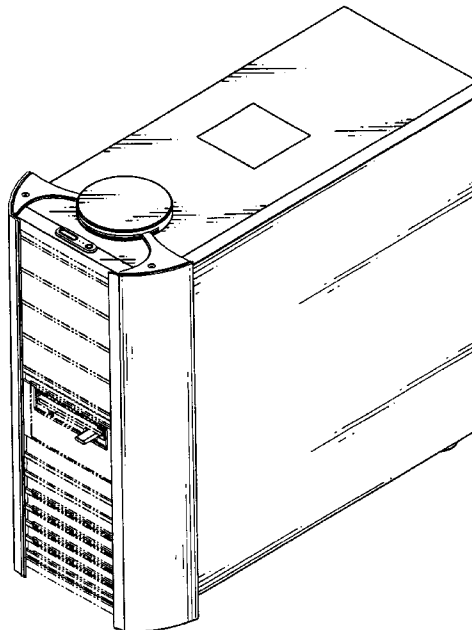
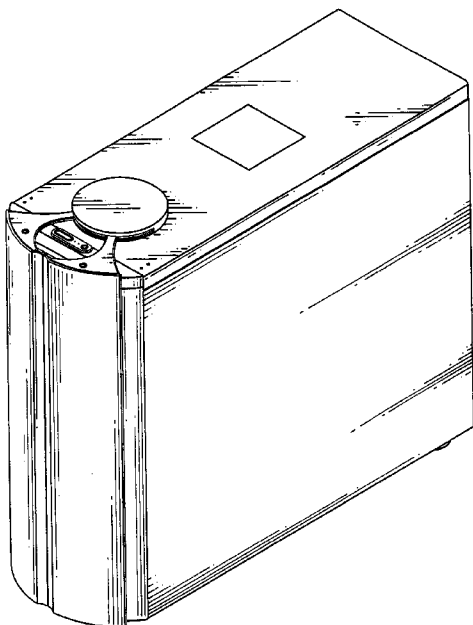
FIG. 7 is a perspective view thereof showing a front cover opened with broken lines being provided for reference only and forming no part of the claimed design.

(56) **References Cited**

U.S. PATENT DOCUMENTS

5,934,774 A \* 8/1999 Wu et al. .... 312/223.2  
5,992,955 A \* 11/1999 Yang ..... 312/265.6

**1 Claim, 5 Drawing Sheets**



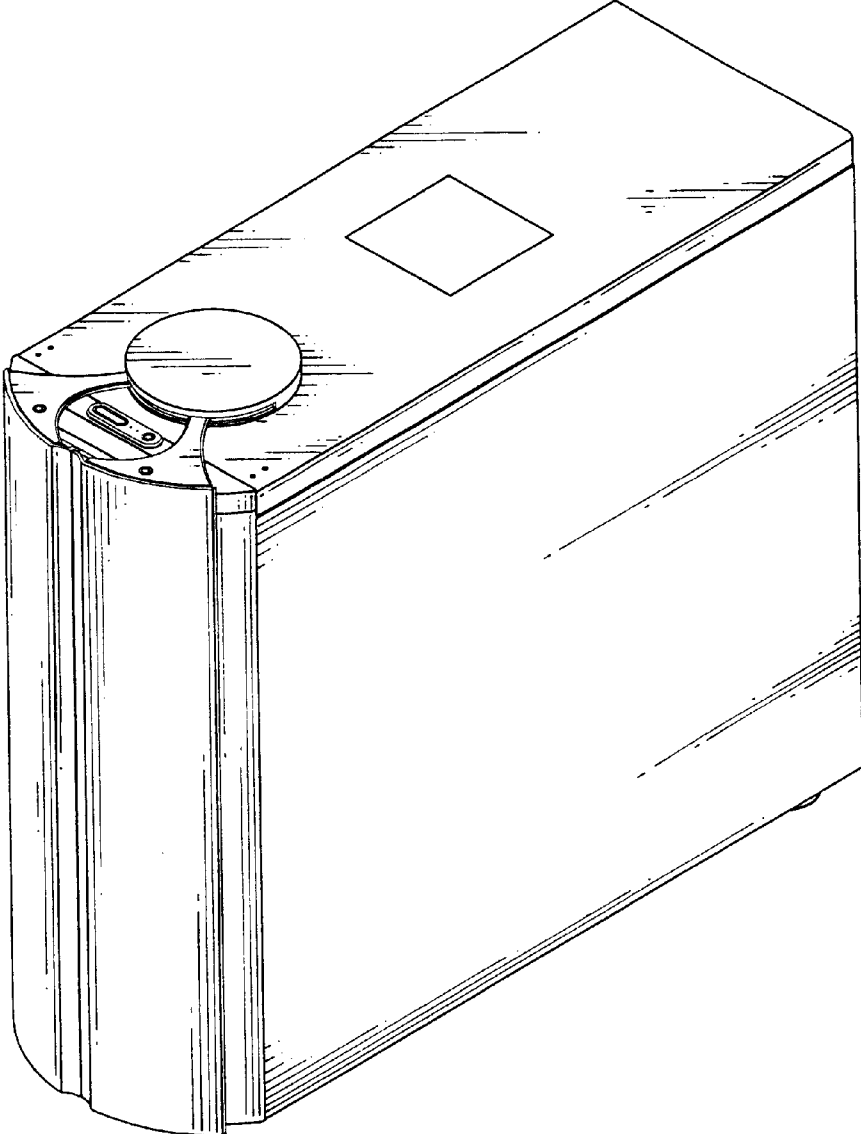


FIG.1

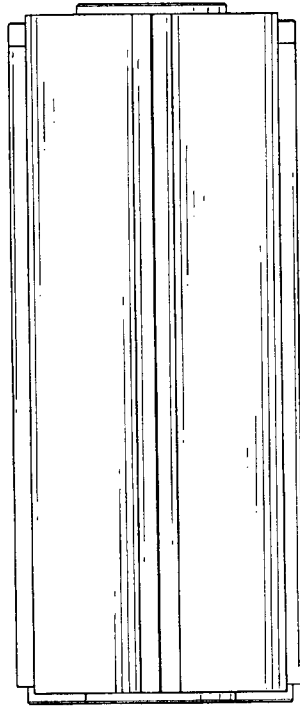


FIG. 2

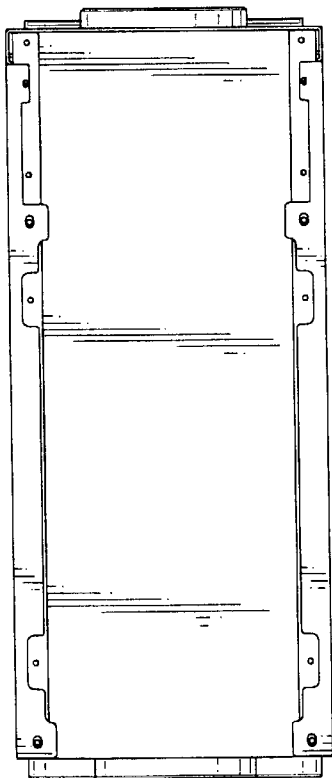


FIG. 3

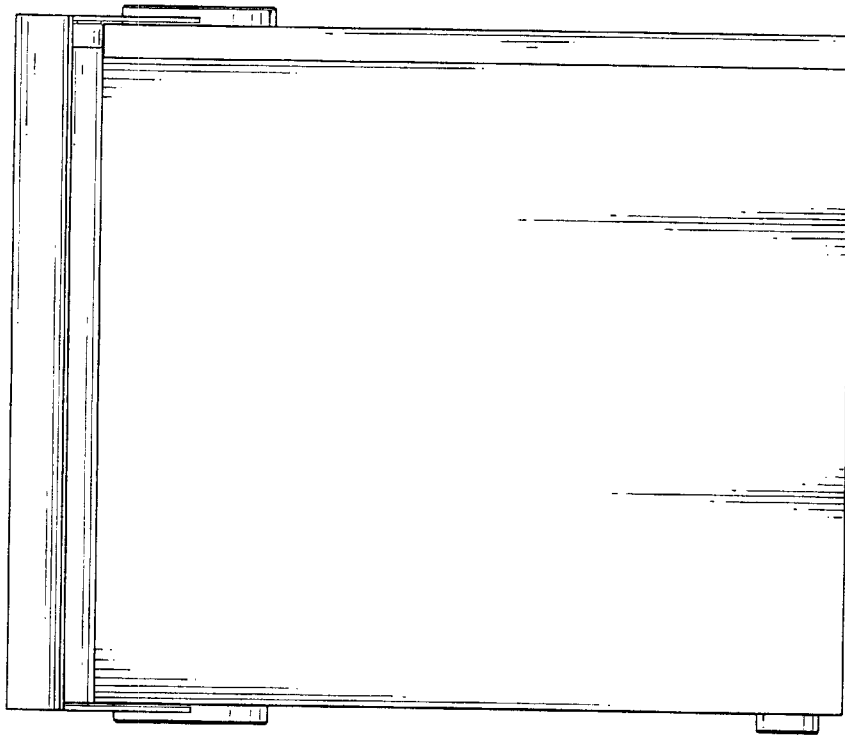


FIG.4

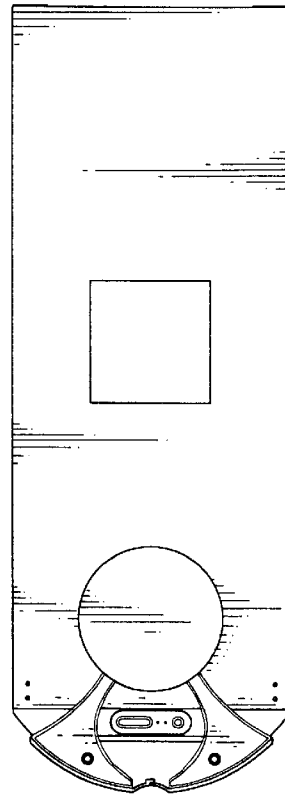


FIG.5

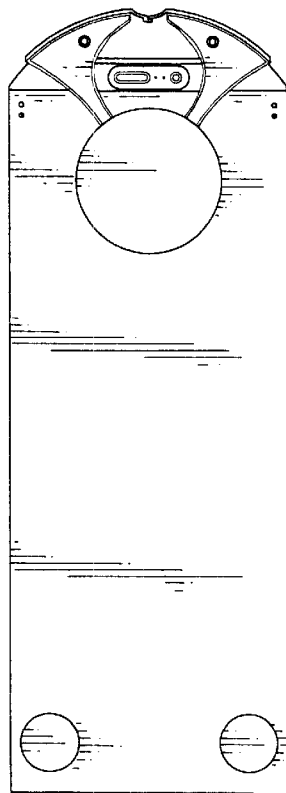


FIG.6

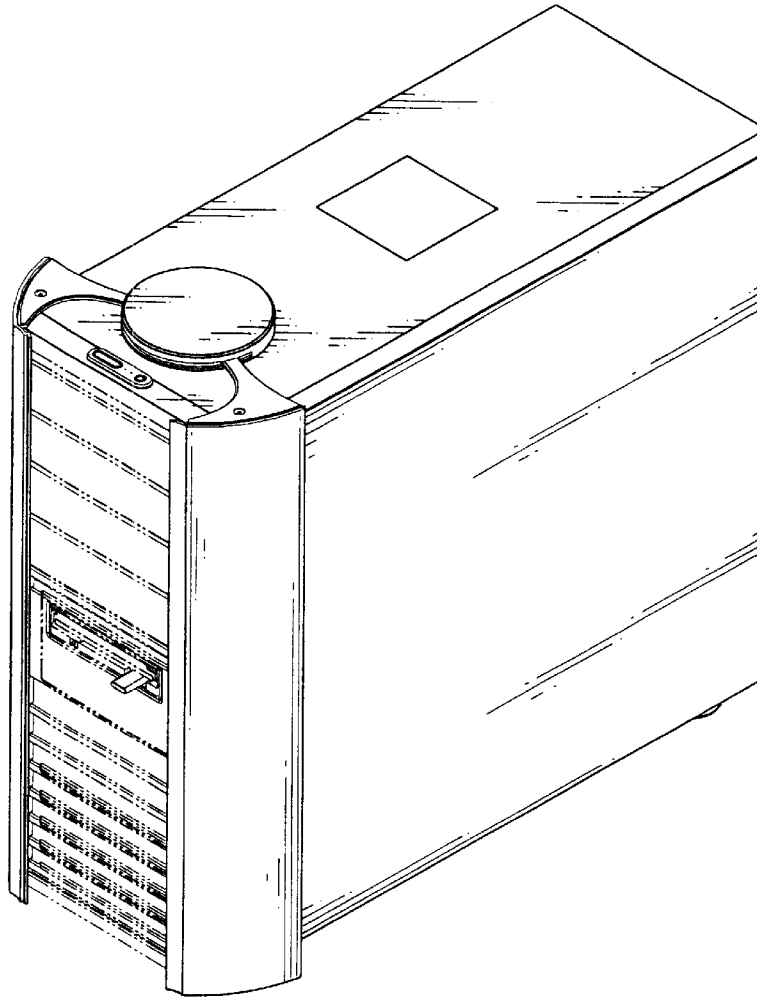


FIG.7