



US00D657906S

(12) **United States Design Patent**
Yu

(10) **Patent No.:** **US D657,906 S**

(45) **Date of Patent:** **** Apr. 17, 2012**

- (54) **SQUARE ARM LUMINAIRE**
- (75) Inventor: **Scott S. Yu**, Mill Valley, CA (US)
- (73) Assignee: **Vode Lighting LLC**, Sonoma, CA (US)
- (**) Term: **14 Years**
- (21) Appl. No.: **29/377,691**
- (22) Filed: **Oct. 25, 2010**
- (51) **LOC (9) Cl.** **26-99**
- (52) **U.S. Cl.** **D26/138**
- (58) **Field of Classification Search** D11/121,
D11/11, 89, 90, 91, 92; D26/94, 154, 144,
D26/138, 65, 63, 142, 71, 93, 76, 78, 88,
D26/80, 69, 74, 72, 118, 119, 120, 113, 121,
D26/122, 155, 128, 1, 2, 129, 28, 152, 123,
D26/124, 153, 130, 141, 92, 85, 145; D13/134,
D13/179, 180; D8/378, 310, 380, 307; D23/411,
D23/377; D6/581, 580, 307, 310; D9/552,
D9/420, 529, 426, 424, 574, 571, 504, 774,
D9/776, 778; 362/253, 405, 96, 394, 362,
362/223, 544, 240, 545; D34/1; 200/331;
D25/127, 129; D7/510, 523, 586; 273/153 S,
273/160; D21/478, 479

See application file for complete search history.

(56) **References Cited**

U.S. PATENT DOCUMENTS

1,861,314	A *	5/1932	McAndrew	285/89
2,208,893	A *	7/1940	Burch	126/312
D174,883	S *	5/1955	Millerbernd	D25/127
2,750,142	A *	6/1956	McKee	248/222.14
D193,632	S *	9/1962	Patience, Jr.	D26/66
D195,310	S *	5/1963	Zagel	D26/70
D201,826	S *	8/1965	Deskey	D26/68
D203,863	S *	2/1966	Neumann	D26/107
3,270,480	A *	9/1966	Beecker	52/848
3,410,995	A *	11/1968	Gray	52/28
3,521,413	A *	7/1970	Scott et al.	52/98
D219,343	S *	12/1970	Rinaldi	D25/127
3,571,991	A *	3/1971	Doocy et al.	52/40

3,579,908	A *	5/1971	Morgan	47/45
D222,810	S *	1/1972	Husby et al.	D26/68
3,755,977	A *	9/1973	Lewis	52/98
4,092,562	A *	5/1978	Campbell	315/189
4,413,311	A *	11/1983	Orenstein	362/219
D271,913	S *	12/1983	Nanfito et al.	D32/55
4,420,798	A *	12/1983	Herst et al.	362/147
4,486,820	A *	12/1984	Baba et al.	362/183
4,639,843	A *	1/1987	Compton	362/431
D291,011	S *	7/1987	Fleming	D26/138
D293,030	S *	12/1987	Vladescu	D26/107
4,712,165	A *	12/1987	Cetrone	362/147
D295,287	S *	4/1988	Krogsrud et al.	D16/135
5,007,666	A *	4/1991	Kyfes	285/373
5,088,683	A *	2/1992	Briden	248/548
5,149,188	A *	9/1992	Robbins	362/183
5,303,136	A *	4/1994	Brown	362/421
D350,620	S *	9/1994	Yuen	D26/65

(Continued)

Primary Examiner — Kevin Rudzinski

(74) *Attorney, Agent, or Firm* — Antero & Tormey LLP; Pete Tormey; Richard Moerschell

(57) **CLAIM**

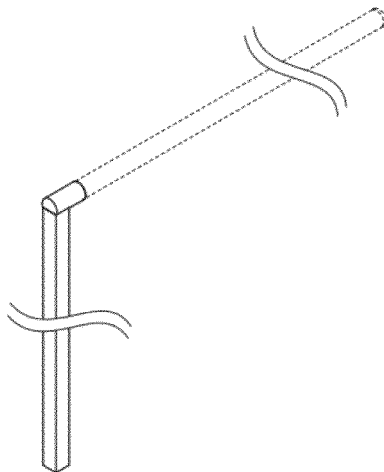
The ornamental design of a square arm luminaire, as shown and described.

DESCRIPTION

FIG. 1 is a perspective view of a square arm luminaire according to the present disclosure;
 FIG. 2 is an enlarged right side view thereof;
 FIG. 3 is an enlarged left side view thereof;
 FIG. 4 is a front view thereof;
 FIG. 5 is a back view thereof;
 FIG. 6 is an enlarged top view thereof;
 FIG. 7 is an enlarged bottom view thereof; and,
 FIG. 8 is an alternative perspective view.

The claimed design is shown in solid, relatively broad lines. The broken lines in the Figures show environmental structure only and form no part of the claimed invention. The design is shown broken away to indicate that the design is of no specific length or height.

1 Claim, 8 Drawing Sheets



US D657,906 S

Page 2

U.S. PATENT DOCUMENTS

D373,002 S *	8/1996	Porter	D26/81	D573,742 S *	7/2008	Bears	D26/71
D387,880 S *	12/1997	Carretto	D25/126	D579,597 S *	10/2008	Ng	D26/61
D391,004 S *	2/1998	Porter et al.	D26/107	D582,594 S *	12/2008	Zhou et al.	D26/69
5,772,311 A *	6/1998	Williams et al.	362/238	7,500,654 B2 *	3/2009	Rosaen	256/65.14
5,862,625 A *	1/1999	Parker	47/47	D590,091 S *	4/2009	Starck	D26/93
5,913,635 A *	6/1999	Graham	405/43	D595,009 S *	6/2009	Osgerber et al.	D26/107
D421,132 S *	2/2000	Chipman et al.	D25/56	D598,156 S *	8/2009	Xiao et al.	D26/69
6,142,453 A *	11/2000	Martin	256/65.05	D598,597 S *	8/2009	Lu et al.	D26/68
D440,638 S *	4/2001	Lefroy-Brooks	D23/255	D598,599 S *	8/2009	Zhou et al.	D26/69
D440,704 S *	4/2001	Compton et al.	D26/155	D599,048 S *	8/2009	Xiao et al.	D26/68
6,425,676 B1 *	7/2002	Lyons	362/152	D610,536 S *	2/2010	Brumels	D13/102
6,685,154 B1 *	2/2004	Blyth et al.	248/512	D610,729 S *	2/2010	Kushinskaya et al.	D26/63
6,930,237 B2 *	8/2005	Mattiuzzo	136/251	D611,634 S *	3/2010	Newhouse	D26/61
D517,233 S *	3/2006	Doppelt	D26/67	D613,897 S *	4/2010	Thun	D26/88
7,017,299 B1 *	3/2006	Speed et al.	47/44	2006/0203489 A1 *	9/2006	Chen	362/253
D522,163 S *	5/2006	Begasse	D26/71	2007/0002561 A1 *	1/2007	Tesmer et al.	362/183
7,066,619 B2 *	6/2006	Waters	362/147	2007/0159836 A1 *	7/2007	Huang et al.	362/431
D555,279 S *	11/2007	Schneider	D26/71	2009/0237918 A1 *	9/2009	Yang	362/183
D556,355 S *	11/2007	Foster	D26/63	2009/0268451 A1 *	10/2009	Zheng et al.	362/235
D558,909 S *	1/2008	Ertze Encinas et al.	D26/71	2009/0273922 A1 *	11/2009	Ho et al.	362/183
D570,512 S *	6/2008	Smith	D26/63	2010/0090605 A1 *	4/2010	Nevins	315/159
D573,298 S *	7/2008	Kinnune et al.	D26/142					

* cited by examiner

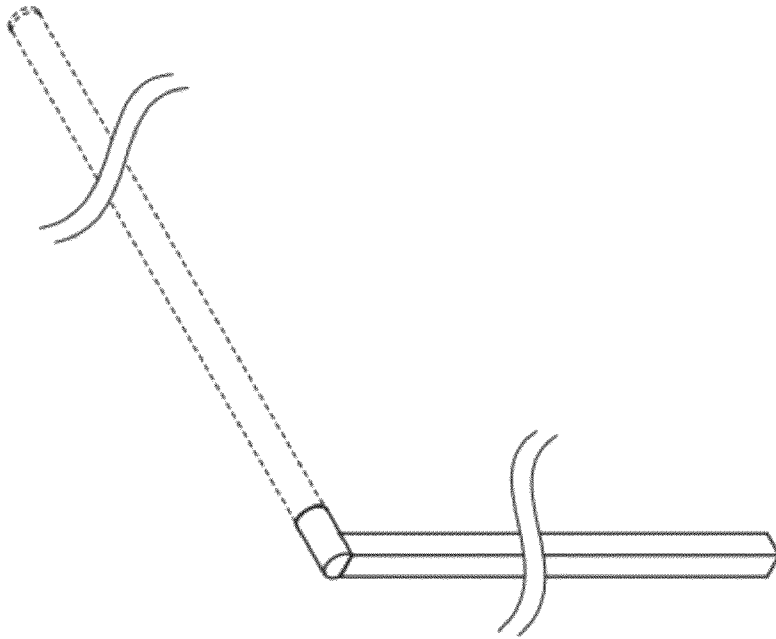


Figure 1

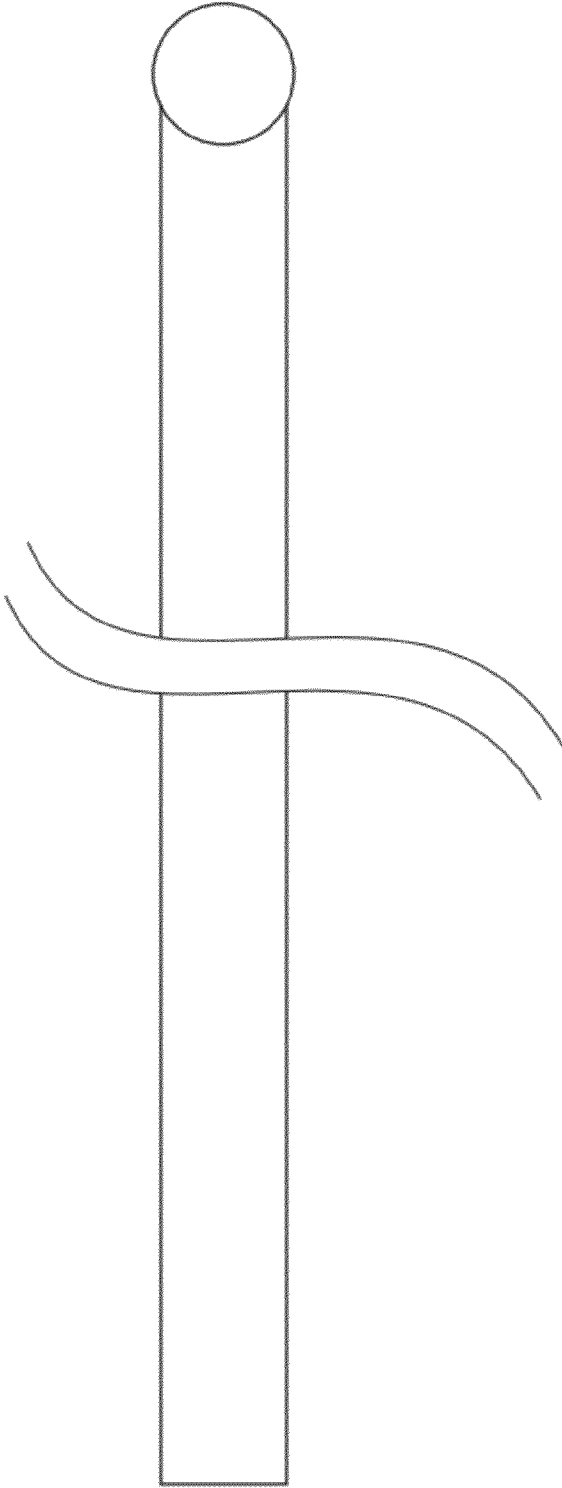


Figure 2

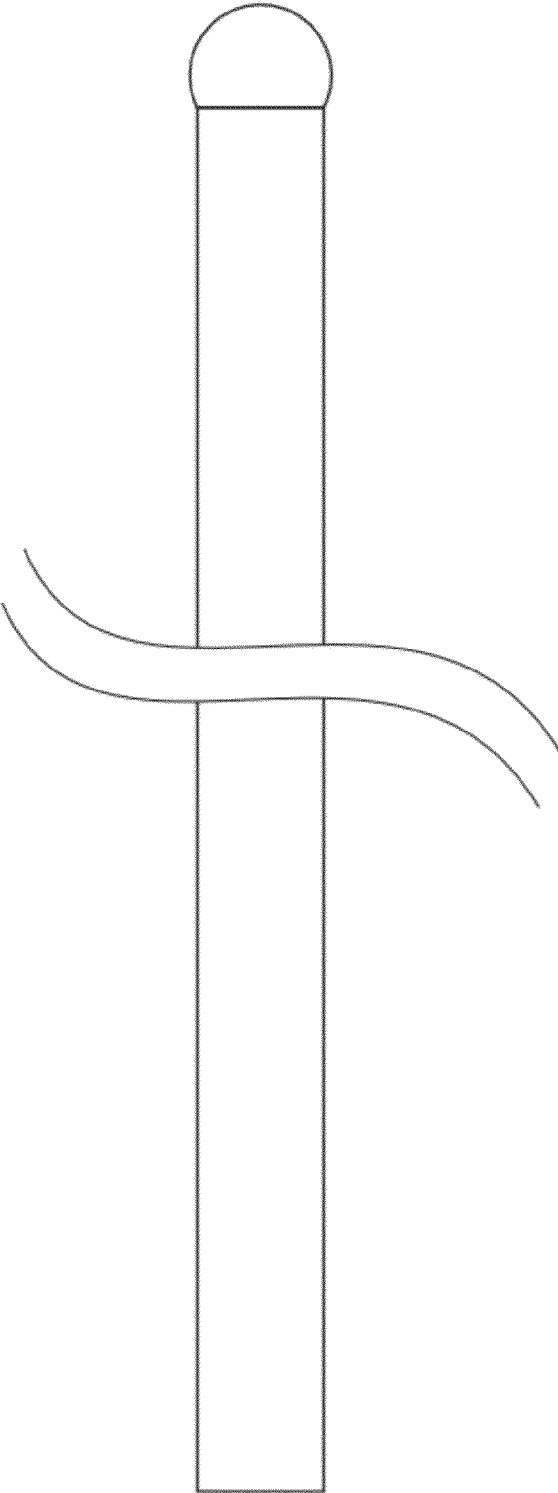


Figure 3

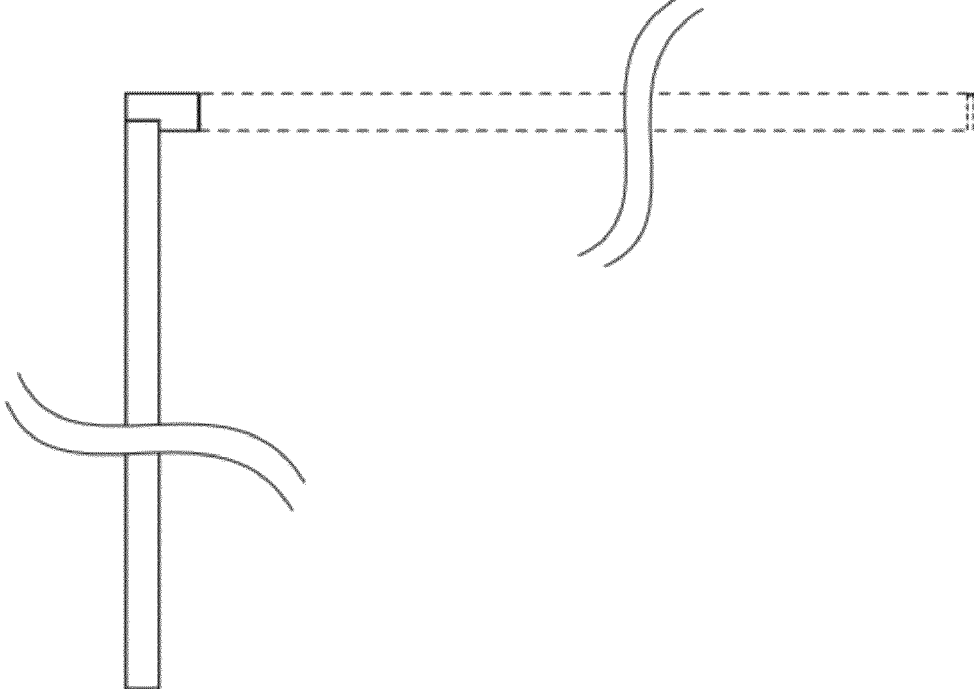


Figure 4

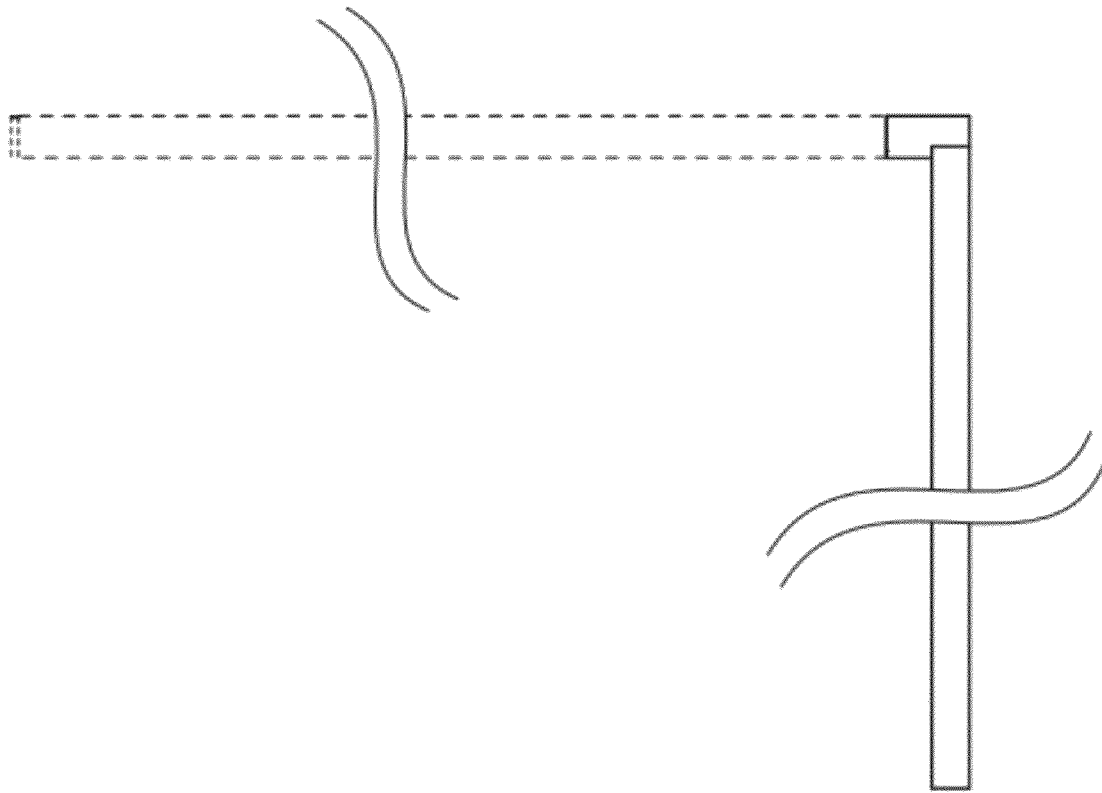


Figure 5

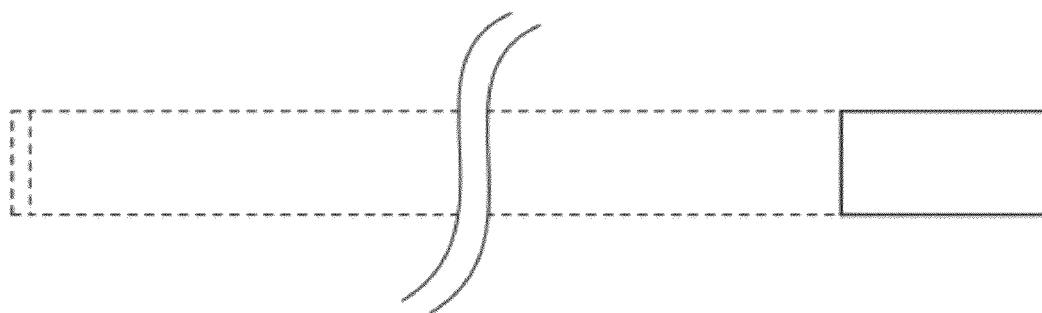


Figure 6

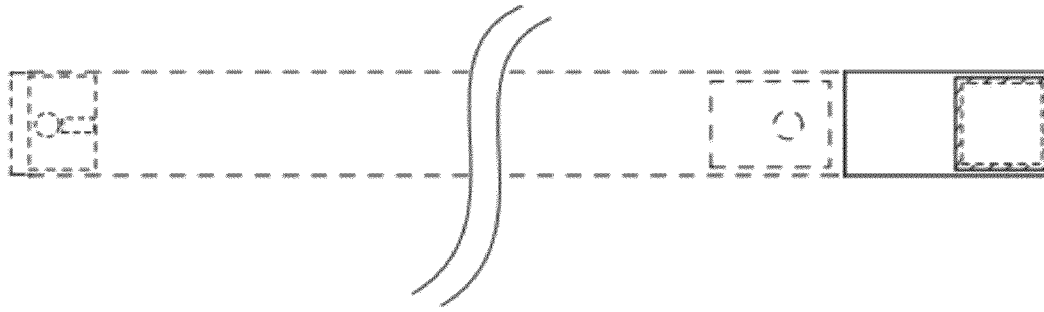


Figure 7

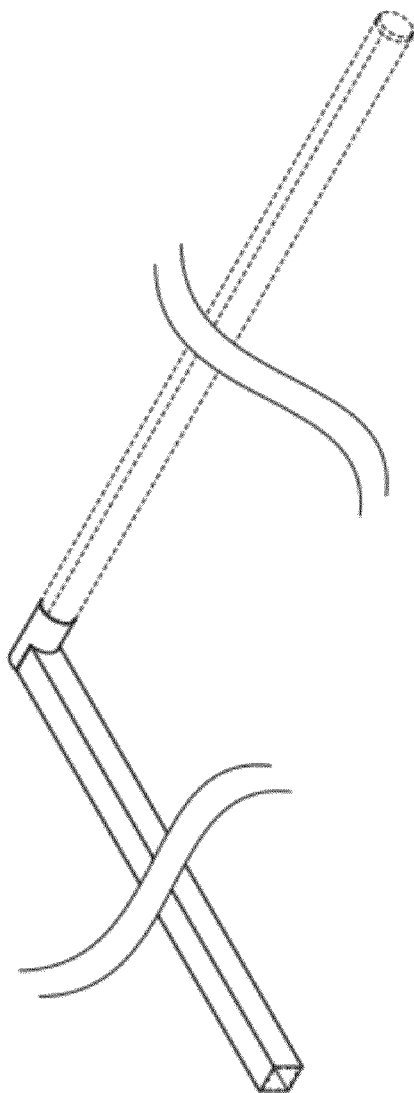


Figure 8