



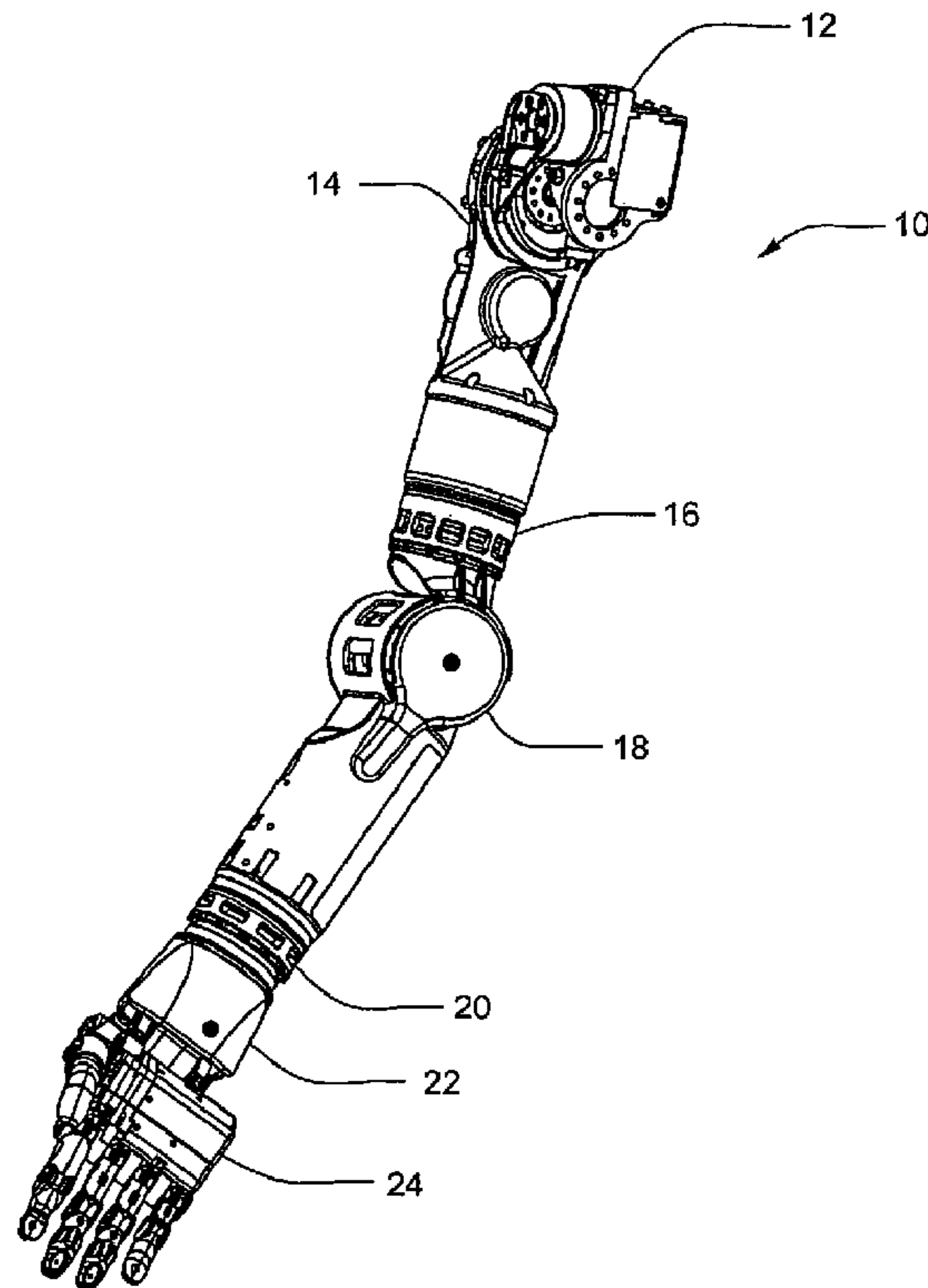
(86) Date de dépôt PCT/PCT Filing Date: 2011/06/22
 (87) Date publication PCT/PCT Publication Date: 2012/03/22
 (45) Date de délivrance/Issue Date: 2018/10/16
 (85) Entrée phase nationale/National Entry: 2013/04/11
 (86) N° demande PCT/PCT Application No.: US 2011/041343
 (87) N° publication PCT/PCT Publication No.: 2012/036770
 (30) Priorités/Priorities: 2010/09/14 (US61/382,665);
 2011/04/15 (US13/088,063)

(51) Cl.Int./Int.Cl. *A61F 2/54* (2006.01),
A61F 2/00 (2006.01), *A61F 2/50* (2006.01),
A61F 2/58 (2006.01), *A61F 2/68* (2006.01),
A61F 2/70 (2006.01), *A61F 2/74* (2006.01),
A61F 2/76 (2006.01), *A61F 2/78* (2006.01),
B25J 17/02 (2006.01), *F16D 3/38* (2006.01)

(72) Inventeurs/Inventors:
 EVANS, CHRISTOPHER O., US;
 PERRY, N. CHRISTOPHER, US;
 VAN DER MERWE, DIRK A., US;
 VIOLETTE, KEITH D., US;
 ...

(73) Propriétaire/Owner:

(54) Titre : DISPOSITIF PROSTHETIQUE DE BRAS
 (54) Title: ARM PROSTHETIC DEVICE



(57) Abrégé/Abstract:

A prosthetic arm apparatus including a plurality of segments that provide a user of the prosthetic arm apparatus with substantially the same movement capability and function as a human arm. The segments are connectable to one another and connectable to a

(72) **Inventeurs(suite)/Inventors(continued):** COULTER, STEWART M., US; DOYON, THOMAS A., US;
BLUMBERG, DAVID, JR., US

(73) **Propriétaires(suite)/Owners(continued):**DEKA PRODUCTS LIMITED PARTNERSHIP, US

(74) **Agent:** GOWLING WLG (CANADA) LLP

(57) **Abrégé(suite)/Abstract(continued):**

prosthetic support apparatus that may be adorned by the user. Some segments may provide movement about more than one axis using a single actuator. The prosthetic arm apparatus may include a user interface incorporated therein and may include one or more communication systems for communicating with external devices.

(12) INTERNATIONAL APPLICATION PUBLISHED UNDER THE PATENT COOPERATION TREATY (PCT)

(19) World Intellectual Property Organization
International Bureau(43) International Publication Date
22 March 2012 (22.03.2012)(10) International Publication Number
WO 2012/036770 A3

(51) International Patent Classification:

A61F 2/54 (2006.01) *A61F 2/50* (2006.01)
A61F 2/58 (2006.01) *A61F 2/70* (2006.01)
B25J 17/02 (2006.01) *A61F 2/74* (2006.01)
F16D 3/38 (2006.01) *A61F 2/78* (2006.01)
A61F 2/68 (2006.01) *A61F 2/76* (2006.01)
A61F 2/00 (2006.01)

340 Commercial Street, Manchester, New Hampshire
03101 (US).

(72) Inventors; and

(75) Inventors/Applicants (*for US only*): **EVANS, Christopher, O.** [US/US]; 32 Old Milford Road, Amherst, New Hampshire 03031 (US). **PERRY, N. Christopher** [US/US]; 257 Walnut Street, Manchester, New Hampshire 03104 (US). **VAN DER MERWE, Dirk, A.** [ZA/US]; 335 A Hackleboro Road, Canterbury, New Hampshire 03224 (US). **VIOLETTE, Keith, D.** [US/US]; 192 North Road, Sandown, New Hampshire 03873 (US). **COULTER, Stewart, M.** [US/US]; 5 Cherry Lane, Bedford, New Hampshire 03110 (US). **DOYON, Thomas, A.** [US/US]; 181 Woodbine Avenue, Manchester, New Hampshire 03109 (US). **BLUMBERG JR., David** [US/US]; 298 North Bay Street Rear, Manchester, New Hampshire 03104 (US).

(21) International Application Number:

PCT/US2011/041343

(22) International Filing Date:

22 June 2011 (22.06.2011)

(25) Filing Language:

English

(26) Publication Language:

English

(30) Priority Data:

61/382,665 14 September 2010 (14.09.2010) US
 13/088,063 15 April 2011 (15.04.2011) US

(71) Applicant (*for all designated States except US*): **DEKA PRODUCTS LIMITED PARTNERSHIP** [US/US];

(74) Agent: **CUNNINGHAM, Marina, F.**; McCormick, Paulding & Huber LLP, CityPlace II, 185 Asylum Street, Hartford, Connecticut 06103-3410 (US).

[Continued on next page]

(54) Title: ARM PROSTHETIC DEVICE

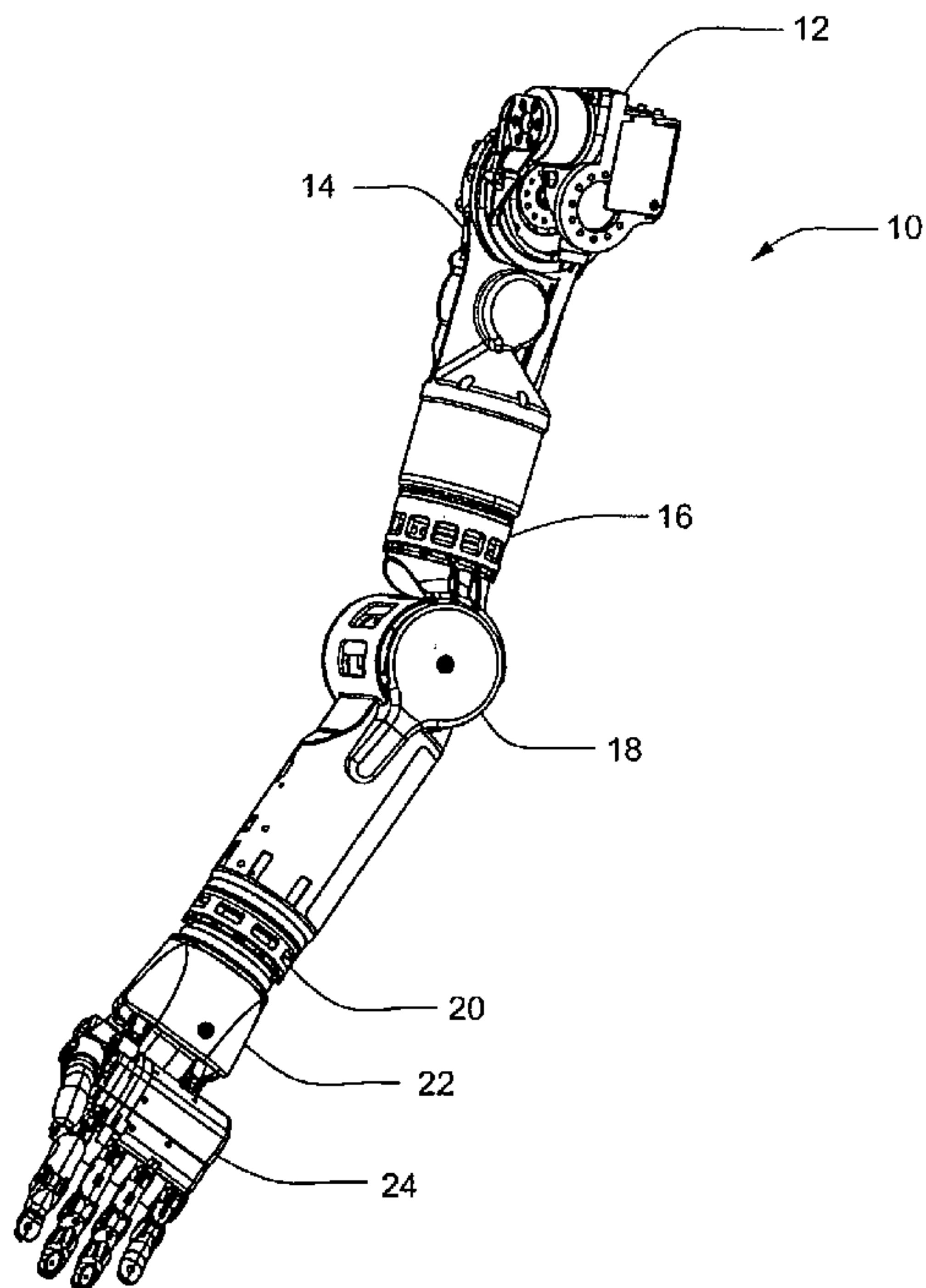


FIG. 1

(57) **Abstract:** A prosthetic arm apparatus including a plurality of segments that provide a user of the prosthetic arm apparatus with substantially the same movement capability and function as a human arm. The segments are connectable to one another and connectable to a prosthetic support apparatus that may be adorned by the user. Some segments may provide movement about more than one axis using a single actuator. The prosthetic arm apparatus may include a user interface incorporated therein and may include one or more communication systems for communicating with external devices.

WO 2012/036770 A3

(81) Designated States (unless otherwise indicated, for every kind of national protection available): AE, AG, AL, AM, AO, AT, AU, AZ, BA, BB, BG, BH, BR, BW, BY, BZ, CA, CH, CL, CN, CO, CR, CU, CZ, DE, DK, DM, DO, DZ, EC, EE, EG, ES, FI, GB, GD, GE, GH, GM, GT, HN, HR, HU, ID, IL, IN, IS, JP, KE, KG, KM, KN, KP, KR, KZ, LA, LC, LK, LR, LS, LT, LU, LY, MA, MD, ME, MG, MK, MN, MW, MX, MY, MZ, NA, NG, NI, NO, NZ, OM, PE, PG, PH, PL, PT, RO, RS, RU, SC, SD, SE, SG, SK, SL, SM, ST, SV, SY, TH, TJ, TM, TN, TR, TT, TZ, UA, UG, US, UZ, VC, VN, ZA, ZM, ZW.

(84) Designated States (unless otherwise indicated, for every kind of regional protection available): ARIPO (BW, GH, GM, KE, LR, LS, MW, MZ, NA, SD, SL, SZ, TZ, UG, ZM, ZW), Eurasian (AM, AZ, BY, KG, KZ, MD, RU, TJ, TM), European (AL, AT, BE, BG, CH, CY, CZ, DE, DK, EE, ES, FI, FR, GB, GR, HR, HU, IE, IS, IT, LT, LU,

LV, MC, MK, MT, NL, NO, PL, PT, RO, RS, SE, SI, SK, SM, TR), OAPI (BF, BJ, CF, CG, CI, CM, GA, GN, GQ, GW, ML, MR, NE, SN, TD, TG).

Declarations under Rule 4.17:

- as to the identity of the inventor (Rule 4.17(i))
- of inventorship (Rule 4.17(iv))

Published:

- with international search report (Art. 21(3))
- before the expiration of the time limit for amending the claims and to be republished in the event of receipt of amendments (Rule 48.2(h))

(88) Date of publication of the international search report:

3 May 2012

ARM PROSTHETIC DEVICE

TECHNICAL FIELD

[0002] The present development relates to mechanical and medical devices and, more particularly, to prosthetic devices. More particularly, the development utilizes mechanical structure and user or motor stimuli to operate a prosthesis similarly to a human limb.

BACKGROUND INFORMATION

[0003] Existing prosthetic arms have limited movement for the user. Further, there are limited options for those patients who have lost their entire arm, shoulder to hand. Also, hand portions of existing prosthetic arms give the user, in many instances, one degree of movement. These known prosthetic devices provide limited capability with respect to, amongst other things, finer tasks.

[0004] Accordingly, there is a need for a prosthetic arm that replaces an arm from shoulder to hand and that has increased degrees of freedom. There is also a need for a prosthetic hand that moves in a realistic manner.

SUMMARY

[0005] It is one aspect of the present device to provide a prosthetic device that will allow the user improved range of motion, improved tactile capabilities, increased comfort for the user, and decreased reliance on manual positioning of the prosthesis.

[0006] According to some aspects of the present invention, a compound motion assembly for providing a two-axis compound motion through a pre-determined path includes an input member and an output member moveably

coupled to the input member. Actuation of the compound motion assembly generates movement of the output member relative to the input member along a compound motion path having motion about at least two axes. In some embodiments, the compound motion assembly includes a drive arrangement for controlling movement of the output member relative to the input member. In these embodiments, the rate of motion about each axis may vary as the drive arrangement is actuated at a constant rate.

[0007] According to some embodiments, the output member may be moveably coupled to the input member through at least a first joint having a first axis and a second joint having a second axis, the first and second joints being connected in series. The compound motion assembly may include a path member that is fixedly coupled to the input member and has a fixed path profile formed therein defining the compound motion path. A follower member may be coupled to the output member and engaging the fixed path profile of the path member such that pivotal movement of the output member relative to the input member about both the first axis and the second axis is generated as the follower member moves along the pre-determined path. In some embodiments, the drive arrangement may drive the compound motion assembly through one of the first or second joints to cause movement of the output member.

[0008] According to some aspects of the present invention, a prosthetic limb segment has a housing with an input interface and an output interface that are moveable with respect to one another and a motorized drive for effecting movement of at least one of the output interface or the input interface. The prosthetic limb segment also includes a controller disposed within the housing for controlling the motorized drive and also for communicating with and controlling at least a second motorized drive of at least a second prosthetic limb segment.

[0009] According to some embodiments, the prosthetic limb segment may include a user interface integrally formed in the housing and in communication with the controller. The user interface may include a status indicator for displaying information from the controller. In some embodiments, the status indicator may have one or more LEDs for displaying information from the

controller. In some embodiments, at least a portion of the LEDs are arranged in an array. In some embodiments, the user interface includes at least one input member for providing a signal to the controller. The user interface may include a protective cover, which may be flexible and may include at least a portion that is translucent to allow light from an LED disposed beneath the protective cover therethrough.

[0010] According to some aspects of the present invention, a safety mechanism for a prosthetic device having at least one motorized drive and a controller for controlling the motorized drive is provided. The safety mechanism includes an actuator electrically coupled in parallel with the controller between the motorized drive and a power source so that actuation of the actuator supplies power to the motorized drive bypassing the controller and actuates the motorized drive until it reaches a safe position.

[0011] According to some embodiments, the safety mechanism may include an actuator that has at least two switches coupled to actuate simultaneously and electrically coupled in parallel so that actuation of only one switch of the at least two switches is sufficient to actuate the motorize drive, thereby providing redundancy. In some embodiments, the actuator is electrically coupled in parallel with the controller between the power source and a plurality of motorized drives such that actuation of the actuator supplies power to the plurality of motorized drives and actuates each motorized drive until it reaches a safe position.

[0012] These aspects of the invention are not meant to be exclusive and other features, aspects, and advantages of the present invention will be readily apparent to those of ordinary skill in the art when read in conjunction with the appended claims and accompanying drawings.

[0013] The same compliance method is applied to the MRP drive, allowing it to store elastic energy.

BRIEF DESCRIPTION OF THE DRAWINGS

[0014] These and other features and advantages of the present invention will be better understood by reading the following detailed description, taken together with the drawings wherein:

[0015] FIG. 1 is a perspective view of one embodiment of a prosthetic arm apparatus according to the present invention;

[0016] FIG. 2 is an exploded view of the prosthetic arm apparatus of FIG. 1;

[0017] FIG. 3 is a rear view of a shoulder abductor of the prosthetic arm apparatus of FIG. 1 according to the present invention;

[0018] FIG. 4 is a front view of the shoulder abductor of FIG. 3;

[0019] FIG. 5 is a side view of the shoulder abductor of FIG. 3;

[0020] FIG. 6 is a perspective view of the shoulder abductor of FIG. 3;

[0021] FIG. 7 is an exploded perspective view of the shoulder abductor of FIG. 6;

[0022] FIG. 8 is a perspective view of a shoulder flexion assembly of the prosthetic arm apparatus of FIG. 1 according to the present invention;

[0023] FIG. 9 is a reverse perspective view of the shoulder flexion assembly of FIG. 8;

[0024] FIG. 10 is an exploded perspective view of the shoulder flexion assembly of FIG. 8;

[0025] FIG. 11 is a cross-sectional perspective view of the shoulder flexion assembly of FIG. 8;

[0026] FIG. 12 is a top view of a non-backdriving clutch according to the

present invention;

[0027] FIG. 13 is a perspective view of a fully assembled compliance subassembly of the shoulder flexion assembly of FIG. 8;

[0028] FIG. 14 is a perspective view of the bottom portion of the compliance subassembly of FIG. 13;

[0029] FIG. 15 is a perspective view of the top portion of the compliance subassembly of FIG. 13;

[0030] FIG. 16 is a perspective view of a humeral rotator of the prosthetic arm apparatus of FIG. 1 according to the present invention;

[0031] FIG. 17 is a cross-sectional perspective view of the humeral rotator of FIG. 16;

[0032] FIG. 18 is a perspective view of an elbow flexion assembly of the prosthetic arm apparatus of FIG. 1 according to the present invention;

[0033] FIG. 19 is a cross-sectional perspective view of one embodiment of the elbow flexion 15 assembly shown without the radial mount;

[0034] FIG. 20 is a cross-sectional perspective view of the elbow flexion assembly shown with the radial mount;

[0035] FIG. 21A is a perspective view showing the compliance subassembly of the elbow flexion assembly of FIG. 19;

[0036] FIG. 21B is an exploded perspective view of a compliance subassembly according to another embodiment of the present invention;

[0037] FIG. 22 is an exploded perspective view of the elbow flexion assembly of FIG. 18;

[0038] FIG. 23 is a perspective view of a wrist rotator of the prosthetic arm apparatus of FIG. 1 according to the present invention;

[0039] FIG. 24 is a cross-sectional perspective view of the wrist rotator of FIG. 23;

[0040] FIG. 25 is a perspective view of a wrist flexion assembly and a hand control module of the prosthetic arm apparatus of FIG. 1 according to the present invention;

[0041] FIG. 26 is a rear perspective view of the wrist flexion assembly and hand control module of FIG. 25;

[0042] FIG. 27 is a cross-sectional perspective view of the wrist flexion assembly and hand control module of FIG. 25;

[0043] FIG. 28 is a perspective view of a wrist assembly output arm of FIG. 25;

[0044] FIG. 29 is a side view of a hand assembly of the prosthetic arm apparatus of FIG. 1 according to one embodiment;

[0045] FIG. 30 is a front view of one embodiment of the hand assembly of FIG. 29;

[0046] FIG. 31 is a perspective view of one embodiment of the hand assembly of FIG. 29 showing an index finger tensioner assembly;

[0047] FIG. 32 is a cross-sectional view of one embodiment of the hand assembly of FIG. 29 showing an MRP tensioner assembly;

[0048] FIG. 33 is a front cross-sectional view of one embodiment of the MRP differential drive of FIG. 30;

[0049] FIG. 34 is a front cross-sectional view of one embodiment of thumb differential drives of FIG. 30;

[0050] FIG. 35 is a side view of one embodiment of the hand assembly of FIG. 30 showing a tactile feedback sensor according to the present invention;

[0051] FIG. 36 is a perspective view of one embodiment of the tactile feedback sensor and a feedback actuator of the prosthetic arm apparatus of FIG. 1;

[0052] FIG. 37 is a perspective view of another embodiment of the tactile feedback sensor and feedback actuator of the prosthetic arm apparatus of FIG. 1 according to the present invention;

[0053] FIG. 38 is an exploded view of a portion of the hand showing another embodiment of the index and MRP fingers drives;

[0054] FIG. 39 is an exploded view of another embodiment of the hand;

[0055] FIG. 40 is a perspective view of another embodiment of the hand;

[0056] FIG. 41 is a perspective cutaway view of the hand;

[0057] FIG. 42A shows an embodiment of an integrated shoulder unit according to an embodiment of the present invention;

[0058] FIG. 42B is a partial cutaway view of the integrated shoulder unit of FIG. 42A in an inactuated state;

[0059] FIG. 42C is a partial cutaway view of the integrated shoulder unit of FIG. 42A in an actuated state;

[0060] FIG. 43 is a cross sectional view of another embodiment of an integrated shoulder unit according to the present invention;

[0061] FIG. 44 is a cross sectional view of another embodiment of the integrated shoulder unit of FIG. 43;

[0062] FIG. 45 is a top view of a shoulder abductor and shoulder flexion assembly according to another embodiment of the present invention;

[0063] FIG. 46 is a side plane view of shoulder flexion assembly mount of the shoulder abductor of FIG. 45;

[0064] FIG. 47A is a side cross-sectional view of an embodiment of a shoulder free swing system according to the present invention;

[0065] FIG. 47B is a front cross-sectional view of the shoulder free swing system of FIG. 47A when disengaged;

[0066] FIG. 47C is a front cross-sectional view of the shoulder free swing system of FIG. 47C when engaged;

[0067] FIG. 48A is a side perspective view of a shoulder free swing system according to another embodiment of the present invention;

[0068] FIG. 48B is a side cross-sectional view of the shoulder free swing system of FIG. 48A;

[0069] FIG. 49 is a cross-sectional view of one embodiment of a rotator according to the present invention;

[0070] FIG. 50 is a side view of one embodiment of a flexion assembly according to the present invention;

[0071] FIG. 51 is a front view of the flexion assembly of FIG. 50;

[0072] FIG. 52 is a perspective view of another embodiment of a wrist flexion assembly according to the present invention;

[0073] FIG. 53 is a partially exploded perspective view of the wrist flexion assembly of FIG. 52;

[0074] FIG. 54 is a top cross-sectional view of the wrist flexion assembly of FIG. 52;

[0075] FIG. 55 is a top cross-sectional view of the wrist flexion assembly of FIG. 52;

[0076] FIG. 56 is a cross-sectional view of another embodiment of a wrist flexion assembly according to the present invention;

[0077] FIG. 57A is a partial cross-sectional view of another embodiment of the non-backdriving clutch of FIG. 12;

[0078] FIG. 57B is a cross-sectional view of another embodiment of the non-backdriving clutch of FIG. 12;

[0079] FIG. 57C is a cross-sectional view of a combination gearbox including the non-backdriving clutch of FIG. 57B;

[0080] FIG. 58A is an exploded perspective view of an embodiment of the hand assembly according to the present invention;

[0081] FIG. 58B is an exploded perspective view of an embodiment of an index finger structure of FIG. 58A;

[0082] FIG. 59 is a perspective view of a compliance assembly according to an embodiment of the present invention;

[0083] FIG. 60A is a side view of a breakaway mechanism according to an embodiment of the present invention;

[0084] FIG. 60B is a front cross-sectional view of the breakaway mechanism of FIG. 60A;

[0085] FIG. 61A-63B are various views of another embodiment of a breakaway mechanism according to the present invention;

[0086] FIG. 64 is a front view of a magnetic sensor according to some embodiments of the present invention;

[0087] FIG. 65 is a side cross-sectional view of another embodiment of a magnetic sensor according to the present invention;

[0088] FIG. 66 is a cross-sectional view of a hand assembly according to an embodiment of the present invention;

[0089] FIG. 67 is a front view of a hand assembly cosmesis according to an embodiment of the present invention;

[0090] FIG. 68A is a front view of an embodiment of the cosmesis of FIG. 67 with removable finger portions;

[0091] FIG. 68B is a cross-sectional view of an embodiment of a finger structure cosmesis of FIG. 68A;

[0092] FIG. 69 is a perspective view of another embodiment of the cosmesis of FIG. 67;

[0093] FIG. 70 is a side perspective view of another embodiment of a cosmesis according to the present invention;

[0094] FIG. 71 is a perspective view of a prosthetic arm apparatus having a temperature sensor according to an embodiment of the present invention;

[0095] FIG. 72A is a side view of a thumb structure according to an

embodiment of the present invention;

[0096] FIG. 72B is a side cross-sectional view of the thumb structure of FIG. 72A;

[0097] FIG. 72C is a side cross-sectional view of the thumb structure of FIG. 72A under a load;

[0098] FIG. 73 is a side cross-sectional view of a thumb structure according to another embodiment of the present invention;

[0099] FIG. 74 is a top view of a humeral rotator and an elbow flexion assembly according to another embodiment of the present invention;

[00100] FIG. 75A is a perspective view of a prosthetic arm apparatus having safety features according to an embodiment of the present invention;

[00101] FIG. 75B is a perspective view of a prosthetic arm apparatus having safety features according to an embodiment of the present invention;

[00102] FIG. 75C is a perspective view of the wrist rotator according to an embodiment of the present invention;

[00103] FIG. 75D is a side perspective view of the wrist rotator and a transradial mount according to an embodiment of the present invention;

[00104] FIG. 75E is a front perspective view of the wrist rotator and a transradial mount of FIG. 75D;

[00105] FIG. 76 is a perspective view of a wrist flexion assembly according to another embodiment of the present invention;

[00106] FIG. 77 is a perspective view of a first cam bearing of the wrist flexion assembly of FIG. 76;

[00107] FIG. 78 is a perspective view of a second cam bearing of the wrist flexion assembly of FIG. 76;

[00108] FIG. 79A is a perspective view of the wrist flexion assembly of FIG. 76 in a first position;

[00109] FIG. 79B is a perspective view of the wrist flexion assembly of FIG. 76 in a second position;

[00110] FIG. 79C is a perspective view of the wrist flexion assembly of FIG. 76 in a third position;

[00111] FIG. 80 is a line graph of a fixed movement path of the wrist flexion assembly of FIG. 76;

[00112] FIG. 81 is a side perspective view of a compound motion assembly according to an embodiment of the present invention;

[00113] FIG. 82 is a top perspective view of an embodiment of a fixed path member of the compound motion assembly of FIG. 81;

[00114] FIG. 83 is a top view of the fixed path member of FIG. 82;

[00115] FIG. 84 is a side view of the compound motion assembly of FIG. 81;

[00116] FIG. 85 is a cross sectional view of the compound motion assembly of FIG. 84;

[00117] FIG. 86 is an exploded perspective view of the compound motion assembly of FIG. 84;

[00118] FIG. 87 is a side perspective view of a compound motion assembly of FIG. 81 having the hand assembly attached thereto;

[00119] FIGS. 88A-88F are side perspective views of the compound motion assembly of FIG. 81 at various positions along its full range of motion;

[00120] FIG. 89 is a line graph of a compound motion path of the compound motion assembly of FIG. 81;

[00121] FIG. 90 is a side perspective view of an embodiment of an antenna according to the present invention;

[00122] FIG. 91 is a partially exploded view of the antenna of FIG. 90;

[00123] FIG. 92 is a schematic view of the antenna matching network of FIG. 90;

[00124] FIG. 93 is a top perspective view of an embodiment of another antenna according to the present invention;

[00125] FIG. 94 is a schematic view of the antenna branching network of FIG. 93;

[00126] FIG. 95 is a side perspective view of another embodiment of a compound motion assembly according to the present invention; and

[00127] FIG. 96 is a side perspective view of another embodiment of a compound motion assembly according to the present invention.

DETAILED DESCRIPTION OF THE PREFERRED EMBODIMENTS

[00128] Referring to FIGS. 1 and 2, a prosthetic arm apparatus 10 for attachment to a shoulder of a shoulder disarticulated amputee includes a plurality of segments, including a shoulder abductor 12, a shoulder flexion assembly 14, a humeral rotator 16, an elbow flexion assembly 18, a wrist rotator 20, a wrist flexion assembly 22, and a hand assembly 24. The prosthetic arm apparatus 10, in the exemplary embodiment, has the dimensions and weight of a female arm of a fiftieth percentile, so that many different users may comfortably use the prosthetic arm apparatus 10. As should be understood by those skilled in the art, the prosthetic arm apparatus 10 may be constructed to larger or smaller dimensions if desired. The prosthetic arm apparatus 10 may be controlled by a control system (not shown), such as the various control systems described in U.S. Patent 8,821,587, U.S. Patent 8,864,845, U.S. Patent 8,453,340, and the U.S. Patent 9,114,030.

[00129] Referring to FIG. 3, one embodiment of the shoulder abductor 12 is shown. The shoulder abductor 12 includes a harness mount 26 for connecting the prosthetic arm apparatus 10, shown in FIG. 1, to a support apparatus, as the various prosthetic supports described in U.S. Patent 8,870,970, U.S. Patent 8,074,559, and the U.S. Patent 8,956,421.

The harness mount 26 has harness interface holes 28 that may be used to attach the abductor 12 to a prosthetic harness (not shown) or other system for supporting the prosthetic arm apparatus 10. In the exemplary embodiment, the harness or prosthetic support apparatus may also be one disclosed in co-pending U.S. Patent 8,870,970.

[00130] Referring to FIG. 4, the shoulder abductor 12 also has a shoulder flexion assembly mount 30, shown according to one embodiment. The shoulder flexion assembly mount 30 interfaces with the shoulder flexion assembly 14 to mount the shoulder flexion assembly 14 onto the shoulder abductor 12. In one embodiment, the flexion assembly mount 30 has interface holes 32 to facilitate connection of the shoulder flexion assembly 14 by attachment means such as bolts.

[00131] Referring to FIG. 5, the shoulder abductor 12 further includes an abductor joint 34, shown according to one embodiment. The abductor joint 34 is used to pivot the shoulder flexion assembly mount 30 away from the harness mount 26 and back toward the harness mount 26.

[00132] Referring to FIGS. 6 and 7, the shoulder abductor 12 includes an abductor motor 36 to control the pivotal movement of the abductor joint 34, shown in FIG. 5, both the shoulder abductor 12 and abductor motor 36 shown according to one embodiment. In this embodiment, the abductor motor 36 is a brushed DC motor controlling the pivotal movement through an abductor belt 38 connected to a worm drive 41 driving a worm wheel 39 connected to an abductor harmonic drive gearing system 40.

[00133] Referring to FIGS. 8 and 9, the shoulder flexion assembly 14, in one embodiment, has a main shoulder housing 42, with an abductor interface 44 for connecting the shoulder flexion assembly 14 to the shoulder abductor 12. The shoulder flexion assembly 14 also has a humeral interface 46 for connecting the humeral rotator 16 to the shoulder flexion assembly 14.

[00134] Referring to FIGS. 10 and 11, in one embodiment, shoulder flexion motor magnets 52 are disposed around a shaft 58 of a shoulder flexion motor rotor 54. In this embodiment, a shoulder flexion motor armature 55 drives the shoulder flexion motor rotor 54, which in turn drives a shoulder flexion motor

pulley 56 around a motor shaft 58. The shoulder flexion motor pulley 56 supports a shoulder flexion belt 60, which is linked between the shoulder flexion motor pulley 56 and a shoulder flexion belt-driven pulley 62. The shoulder flexion belt-driven pulley 62 drives a shoulder flexion harmonic drive gearing system wave generator 64. A shoulder flexion harmonic drive gearing system flexspline 66 rotates against the shoulder flexion harmonic drive gearing system wave generator 64 and a shoulder flexion harmonic drive gearing system circular spline 68, resulting in reduced speed for the joint movement. The shoulder flexion harmonic drive gearing system flexspline 66 is connected to the abductor interface 44, and is thus able to rotate the shoulder flexion assembly 14 in reference to the abductor interface.

[00135] Referring to FIG. 11, in one embodiment, a non-backdriving clutch 70 is disposed inside the main shoulder housing 42. The non-backdriving clutch 70 allows the prosthetic arm 10 to hold position by locking when the prosthetic arm 10 is not moving.

[00136] Referring to FIG. 11 and FIG. 12, in one embodiment, roller bearings 72 line the interface between an input cage 74 and an output hex 76. When a force is applied to the shoulder abductor interface 44, the output hex 76 locks against the bearing race 78 and the roller bearings 72. This prevents the shoulder flexion assembly 14 from moving due to force applied to its output, shoulder abductor interface 44. Upon the exertion of a necessary amount of input force through the clutch input cage 74, the output hex 76 disengages and allows the shoulder flexion assembly 14 to move. The clutch input cage 74 and the output hex 76 are both constrained by a clutch race 78. It should be understood by those skilled in the art, that other mechanisms could be used to prevent backdriving of the prosthetic arm 10, such as a clutch that locks in one direction or a solenoid with brakes that engage when the solenoid is powered. Additionally, although described in connection with the shoulder flexion assembly 14, it should be understood by those skilled in the art that the non-backdriving clutch 70 may be included in other prosthetic joints described herein.

[00137] Referring to FIG. 13, in one embodiment, a compliance subassembly

50, shown in FIG. 11, includes a compliance reactor 80 positioned on top of the shoulder flexion harmonic drive gearing system circular spline 68, shown in FIG. 10, and held in place by the clamp 82. The compliance reactor 80 measures the amount of displacement in the compliance subassembly 50 in relation to the position of a compliance sensor magnet 84.

[00138] Referring to FIG. 14, in one embodiment, the interior of compliance subassembly 50 includes series elastic elements 86. The shoulder flexion harmonic drive gearing system circular spline 68 defines the interior of the compliance subassembly 50 and is formed to accommodate the placement of the series elastic elements 86 around an outer diameter 87 of the shoulder flexion harmonic drive gearing system circular spline 68. The series elastic elements 86 are confined by the shoulder flexion harmonic drive gearing system circular spline 68 and the clamp 82.

[00139] Referring to FIG. 15, the placement of the compliance reactor 80 in relation to the series elastic elements 86 and reactor elements 88 is shown. In this embodiment, three reactor elements 88 are positioned around the compliance reactor 80, equidistant to each other. One series elastic element 86 is placed on either side of each reactor element 88. When the shoulder flexion assembly 14 is subjected to unexpected force, such as a sudden jolt or impact, the compliance reactor 80 and reactor elements 88 displace from their rest positions and compress against the series elastic elements 86. In that way, the compliance subassembly 50 attenuates the shock being transferred to the rest of the shoulder flexion assembly 14. The compliance reactor 80 may also measure the amount of displacement and compliance by measuring the movement of the compliance reactor 80 in relation to the stationary position of the compliance sensor magnet 84.

[00140] Referring to FIG. 16, one embodiment of the humeral rotator 16 is shown. The humeral rotator 16 includes an outer bearing carrier 90 attached to the first control housing 92, shown in FIG. 2. The first control housing 92, shown in FIG. 2, is used to connect the humeral rotator 16 to the shoulder flexion assembly 14. The inner rotational elements of the humeral rotator are held in place by a clamp 94, which is fastened to the outer bearing carrier 90. A humeral

mount 96 passes through the clamp 94 and includes an elbow interface 98 for attaching the elbow flexion assembly 18 to the humeral rotator 16.

[00141] FIG. 17 shows a cross-sectional view of the humeral rotator 16. A humeral motor armature 100 drives a humeral motor rotor 102 having humeral magnets 104 disposed on its surface. The lower portion of the motor rotor 102 engages a humeral harmonic drive gearing system wave generator 106. A humeral harmonic drive gearing system flexspline 108 rotates with the humeral harmonic drive gearing system wave generator 106 against the humeral harmonic drive gearing system circular spline 110, resulting in a speed of rotation reduction as the humeral harmonic drive gearing system flexspline 108 causes the humeral mount 96 to move. Bearings 111 and 113 support the humeral motor rotor 102. Bearings 112 support the harmonic drive gearing system components 106, 108, 110. A bearing support 114 caps the outer bearing carrier 90 between the outer bearing carrier 90 and the first control housing 92, shown in FIGS. 16 and 2, respectively.

[00142] Still referring to FIG. 17, the one embodiment, a humeral potentiometer 116 of the humeral rotator 16, measures the rotational displacement of a humeral potentiometer shaft 118 that rotates proportionately to the humeral mount 96.

[00143] Referring to FIG. 18, the elbow flexion assembly 18 includes an elbow joint 120 and a radial mount 122. The elbow joint 120 includes a slot 124 into which the elbow interface 98 of the humeral rotator is inserted to facilitate connection of the elbow flexion assembly 18 to the humeral rotator 16. The radial mount 122 provides a second electronics housing 126, in which an ACM stack 128 is located. "ACM" as used herein refers to Arm Control Module. The radial mount 122 includes a wrist interface 130, for attachment of the wrist rotator 20.

[00144] In some embodiments, the ACM stack 128 may be integrated into the wrist rotator 20, as will be discussed in greater detail below. Integrating the ACM stack 128 into the wrist rotator may be advantageous since the wrist rotator 20 is likely to be present in prosthetic arms for essentially all types of amputees,

whereas the elbow flexion assembly 18 may not be present, such as in a prosthetic arm for a transradial amputee.

[00145] Referring to FIG. 19, the elbow joint 120 includes an elbow motor armature 132 that drives an elbow motor rotor 134. Elbow magnets 136 are disposed at one end of the motor rotor 134, and the opposing end of the motor rotor 134 has a sun gear 138. As the motor armature 132 drives the sun gear 138, the sun gear 138 in turn drives four planetary gears 140 positioned equidistant from each other around the sun gear 138. The four planetary gears 140 in turn react against a ring gear 142, giving the elbow flexion assembly 18 a first stage of speed reduction through an elbow harmonic drive gearing system wave generator 148 which also acts as the planet carrier. The elbow harmonic drive gearing system wave generator 148 powers the elbow harmonic drive gearing system flexspline 146, which drives against the elbow harmonic drive gearing system circular spline 144, giving the elbow flexion assembly 18 a second stage of reduction. The elbow harmonic drive gearing system flexspline 146 then drives the motion of the elbow flexion assembly 18. Bearings 150 and crossed roller bearings 152 support the outer perimeter of the elbow flexion assembly 18. Although described with both a planetary gear system and an elbow harmonic drive gearing system, the elbow flexion assembly 18 could be controlled solely by a harmonic drive gearing system by changing the gear reduction ratio.

[00146] In various embodiments, it may be desirable to avoid having to perform additional measurement by using the measurement in the compliance process. One example includes, in various embodiments, where the planetary gears may be used for compliance and measurement of load.

[00147] Referring to FIG. 20, in the embodiment shown, the radial mount 122 is structurally fixed to the elbow joint 120, such that when the elbow joint is actuated, the radial mount 122 moves.

[00148] Referring to FIG. 21A, an elbow compliance subassembly 154 is incorporated into the elbow flexion assembly 18. A plurality of arms 156 extends from the center portion of the elbow compliance subassembly 154. Each arm 156

has an elbow series elastic element 158 disposed on either side of the arm 156. Similar to the shoulder flexion assembly 14, if the elbow flexion assembly 18 is subject to a torque, the elbow compliance subassembly 154, with its series elastic elements 158, is capable of absorbing the shock attenuating the torque magnitude through the rest of the elbow flexion assembly 18.

[00149] Referring to FIG. 21B, wherein like numerals represent like elements, in some embodiments, the elbow compliance assembly 1154 may include a carrier having a magnet (not shown) disposed thereon and having a carrier top 1838 and a carrier bottom 1840 that connect to one another to surround the elbow harmonic drive gearing system circular spline 1144 and that interface with a compliance grounding member 1842. The carrier top 1838 and carrier bottom 1840 to restrict movement of the elbow harmonic drive gearing system circular spline 1144, thereby allowing the circular spline 1144 to operate substantially as discussed above to drive the elbow flexion assembly 18, shown in FIG. 18. The carrier bottom 1840 includes clips 1844 located around its periphery that slidably engage corresponding compliance shafts 1846 of the compliance grounding member 1842 to connect the carrier to the compliance grounding member 1842. Each clip 1844 is positioned on a compliance shaft 1846 between two compliance springs 1848 that inhibit sliding movement of the clips 1844 relative to the shafts 1846. The compliance springs 1848 are preferably formed from metal and, in some embodiments, each spring 1848 may include a plurality of stacked spring washers. In operation, as the elbow harmonic drive becomes loaded, the clips 1844 of the carrier slide on the compliance shafts 1846 and load the compliance springs 1848, which deflect in proportion to the load. A sensor (not shown) measures the displacement of the magnet (not shown), thereby providing a measurement of the torque carried by the elbow harmonic drive and, therefore, the elbow flexion assembly 18, shown in FIG. 18. The elbow compliance assembly 1154 advantageously provides improved compliance measurements due to its metal springs 1848 as compared to elastomeric spring designs, which have greater hysteresis. Additionally, the carrier of the elbow compliance assembly 1154 advantageously allows the circular spline 1144 to be mounted without any modifications that may reduce its load capacity.

[00150] Referring to FIG. 22, the ACM stack 128, includes circuit boards 160 connected to one another by structural standoffs 162. The structural standoffs 162 are constructed of a conductive material, so that electrical power may be passed through the circuit boards 160. The structural standoffs allow power to be supplied to each circuit board 160 without conventional power connections.

[00151] Referring to FIG. 23, the wrist rotator 20 includes a wrist outer bearing carrier 164, a wrist clamp 166, a wrist potentiometer 168, an elbow interface 170, and a wrist flexion assembly interface 172.

[00152] Referring to FIG. 24, movement of the wrist rotator 20 is controlled by a harmonic drive gearing system similar to that described for the humeral rotator. A wrist rotator motor armature 174 drives a wrist rotator motor rotor 176 having wrist rotator magnets 178 disposed to its surface. The lower portion of the wrist rotator motor rotor 176 integrates a wrist rotator harmonic drive gearing system wave generator 180. A wrist rotator harmonic drive gearing system flexspline 182 rotates with the wrist rotator harmonic drive gearing system wave generator 180 against a wrist rotator harmonic drive gearing system circular spline 184, resulting in reduction in the speed of rotation as the wrist rotator harmonic drive gearing system flexspline 182 causes the wrist flexion assembly interface 172 to move with respect to the rest of the wrist rotator 20. Bearings 185 support the wrist rotator motor rotor 176. Bearings 186 support the harmonic drive gearing system components 180, 182, and 184.

[00153] Still referring to FIG. 24, the wrist potentiometer 168 of the wrist rotator 20 is disposed at one end of a wrist shaft 188 and measures the rotational displacement thereof. The wrist shaft 188 may be tubular, having an electronics channel 190 for passing electronic power and controls through the wrist rotator 20.

[00154] Referring to FIG. 25, the wrist flexion assembly 22 includes hand control module circuit boards 192, an input support structure 194, an output arm 196, and a hand interface 198. The input support structure 194 connects the wrist rotator 20 with the wrist flexion assembly 22. The output arm 196 has positive

and negative flexion, such that the output arm 196 is able to move in two opposite directions in reference to the support structure 194. The hand interface 198 allows the hand assembly 24 to be connected to the wrist flexion assembly 22. Referring to FIG. 26, the wrist flexion assembly 22, has wrist electrical connections 200 for supplying power to a wrist flexion motor 202.

[00155] Referring to FIG. 27, in the embodiment shown, the wrist flexion motor 202 drives a wrist flexion output gear 204, which in turn drives a wrist flexion final stage-driven gear 206. A wrist flexion pivot axle 208 of the output arm 196 is axially disposed inside an opening defined by the interior of the wrist flexion final stage-driven gear 206. Wrist flexion series elastic elements 210 are disposed in the interior of the output arm 196. Movement of the wrist flexion final stage-driven gear 206 facilitates the positive and negative motion of the output arm 196. A non-backdriving clutch 212 is disposed at one end of the wrist flexion output gear 204.

[00156] Referring to FIG. 28, the output arm 196 has a wrist flexion drive arm 214, which is driven by the wrist flexion final stage-driven gear 206. The end of the wrist flexion drive arm 214 accommodates a wrist flexion compliance sensor magnet 216. The wrist flexion series elastic elements 210 are disposed on either side of the wrist flexion drive arm 214, and the wrist flexion series elastic elements 210 and the drive arm 214 are substantially enclosed within the output arm 196. Similar to the elbow flexion assembly 18 and the shoulder flexion assembly 14, if the wrist flexion assembly 22 is subjected to a force, the wrist flexion drive arm 214 compresses the wrist flexion series elastic elements 210 and attenuates the force or impact through the rest of the wrist flexion assembly 22.

[00157] The following is a description of one embodiment of the hand assembly. Other embodiments of the hand assembly are described and shown elsewhere in this specification. Referring to FIGS. 29 and 30 the hand assembly 24 includes a hand support 218 for providing an interface for connecting the hand assembly 24 to the wrist flexion output arm 196. The hand assembly 24 also includes a thumb structure 220, an index finger structure 222, and an MRP structure 224 replicating a middle finger 226, a ring finger 228, and a pinky finger

230. In various embodiments, the thumb structure 220 may be driven by two thumb drives 232 that feed into a single differential, giving the thumb structure 220 two degrees of freedom of movement. The index finger structure 222 may be driven by a single index drive 234 and the MRP structure 224 may be driven by a single MRP drive 236 that feeds a double differential. The MRP approach allows for an indeterminate versus determinate linkage.

[00158] Referring to FIG. 31, the index finger structure 222 (not shown) is driven by the index drive 234 through an index drive pulley 238, an index tensioner 240, an index tension belt 242, and an index finger pulley 244. The index drive pulley 238 is stage driven and transfers the torque to the index tension belt 242, which in turn rotates the index finger pulley 244, causing the index finger structure 222 to move. As the index tension belt 242 transfers the torque, one side of the index tension belt 242 tightens and the other side loosens, depending on which direction the index drive pulley 238 is rotated. The index tensioner 240 is located between the index drive pulley 238 and the index finger pulley 244 and the index tensioner 240 displaces in relation to the change in load to maintain the tension of the index tension belt 242. The index tensioner 240 has one side grounded and the other side capable of displacement upon the application of a load. The index tensioner 240 may instead ground the moveable side of the index tensioner 240 with a spring.

[00159] Referring to FIG. 38, in another embodiment, the index finger structure 222 is driven through an index sun shaft 350, a set of index planets 352, an index planet carrier 354, an index ring gear 356, and an index drive gear 358. The index drive 360 drives the index ring gear 356, turning the index planets 352, the turning of which causes the index planet carrier 354 to rotate. The index drive gear 358 is driven by the external teeth of the index planet carrier 354, causing the index structure 222 to move. Any torque transmitted by the index planet carrier 354 will react against the index sun shaft 350 causing it to rotationally displace the index spring 362 through the index spring mount 364. This rotational displacement, sensed by an index potentiometer 366 can be used to infer the load on the index finger structure 222. This rotational displacement may be used to store elastic energy and to provide the index finger structure 222 with a measure

of compliance that may aid in gripping and with load absorption.

[00160] Referring to FIG. 31, the thumb structure 220 is mounted on a thumb support 246, which is driven by the two thumb differential drives 232. The thumb structure 220 has flexural cuts 248 at its base allowing the compliant thumb structure 220 to move when a load is applied to it. This compliance in the thumb structure 220 may aid in gripping and with load absorption, which may prevent the hand assembly 24 from damaging objects (not shown) by closing around them too quickly and forcefully.

[00161] Referring to FIG. 32, the hand assembly 24 includes an MRP drive pulley 250 driven by the MRP drive 236. The MRP drive pulley 250 is connected through an MRP tension belt 252 to the MRP pulley 254, enabling movement of the MRP structure 224. The MRP drive pulley 250 is stage driven and transfers the load to the MRP tension belt 252, which in turn rotates the linked MRP structure 224 via the MRP pulley 254. As the MRP tension belt 252 transfers torque, one side of the MRP tension belt 252 tightens as the other side loosens. An MRP tensioner 256 located at one side of the MRP tension belt 252 displaces in relation to the change in load to maintain the tension of the MRP tension belt 252. This also provides the MRP structure 224 with compliance to aid in gripping and with load absorption, which may prevent the hand assembly 24 from damaging objects (not shown) by closing around the objects (not shown) too quickly and forcefully.

[00162] Referring to FIG. 38, in another embodiment, the MRP finger structures 224 are driven through an MRP sun shaft 370, a set of MRP planets 372, an MRP planet carrier 374, an MRP ring gear 376, and an MRP drive gear 378. The MRP drive 380 drives the MRP ring gear 376, turning the MRP planets 372, the turning of which causes the MRP planet carrier 374 to rotate. The MRP drive gear 378 is driven by the external teeth of the MRP planet carrier 374, causing the MRP structures 224 to move. Any torque transmitted by the MRP planet carrier 374 will react against the MRP sun shaft 370 causing it to rotationally displace the MRP spring 382 through the MRP spring mount 384. This rotational displacement can be used to store elastic energy.

[00163] Referring to FIG. 33 the MRP differential drive 236 includes a main MRP drive gear 258. The MRP drive gear 258 drives a first MRP input axle 260. The first MRP input axle 260 drives a first differential idler gear 259 which optionally drives a middle spur gear 262 or a differential interface gear 261. The middle spur gear 262 drives a middle pivot axle 264. The middle finger 226 is mounted on the middle pivot axle 264 and is thus actuated by the MRP differential drive 236. The differential interface gear 261 drives a second MRP input axle 266. The second MRP input axle 266 drives a second differential idler gear 263 which optionally drives a ring spur gear 268 or a pinky spur gear 272. The ring spur gear 268 drives a ring pivot axle 270. The ring finger 228 is mounted on the ring pivot axle 270 and is thus actuated by the MRP differential drive 236. The pinky spur gear 272 drives a pinky pivot axle 274. The pinky finger 230 is mounted on the pinky pivot axle 274 and is thus actuated by the MRP drive 236. While the MRP drive 236 drives the middle finger 226, the ring finger 228 and the pinky finger 230, the gear configuration of the first input axle 260 and the second input axle 266 allows independent movement for the under-actuated finger gear system of the MRP structures 224.

[00164] Referring to FIG. 41, in another embodiment of the hand, the MRP differential drive 236 includes an MRP drive gear 378 which drives a double differential allowing the MRP fingers to conformably wrap around an object. The MRP drive gear 378 drives a first MRP input axle 400. The first input axle 400 drives a first differential idler gear 402 which optionally drives a middle spur gear 404 or a differential interface gear 406. The middle spur gear 404 drives a middle pivot axle 264. The middle finger 226 is mounted on the middle pivot axle 264 and is thus actuated by the MRP drive 236. The differential interface gear 406 drives a second MRP input axle 408. The second MRP input axle 408 drives a second differential idler gear 410 which optionally drives a ring spur gear 412 or a pinky spur gear 414. The ring spur gear 412 drives a ring pivot axle 270. The ring finger 228 is mounted on the ring pivot axle 270 and is thus actuated by the MRP drive 236. The pinky spur gear 414 drives a pinky pivot axle 274. The pinky finger 230 is mounted on the pinky pivot axle 274 and is thus actuated by the MRP drive 236. While the MRP drive 236 drives the middle finger 226, the ring finger 228

and the pinky finger 230, the gear configuration of the first input axle 400 and the second input axle 408 allows independent movement for the under-actuated finger gear system of the MRP structures 224.

[00165] Referring to FIG. 34 the thumb differential drives 232 control the movement of the thumb structure 220 and are driven by thumb actuators 276. The thumb actuators 276 have nonbackdriving thumb clutches 278 to prevent output loads from reaching and backdriving the thumb actuators. One thumb actuator 276 drives a first thumb output drive 280 and a first thumb output gear 282. The first thumb output gear 282 in turn drives a first thumb transfer gear 284, which drives a fixed differential shaft 286. The fixed differential shaft 286 drives one thumb differential bevel gear 287. The second thumb actuator 276 drives a second thumb output drive 288 and a second thumb output gear 290. The second thumb output gear 290 drives a second thumb transfer gear 292, which drives a thumb differential bevel gear 294. The two thumb differential bevel gears 287 and 294 operate the thumb structure 220 in its two degrees of motion.

[00166] The thumb structure 220, the index finger structure 222, and MRP structure 224 in one embodiment are covered in silicone, which provides additional friction and aids in gripping objects. In some embodiments, the entire hand assembly 24 may also be covered in silicone to provide additional grip for holding objects. In other embodiments, the silicone material may be replaced by other compliant materials.

[00167] The hand assembly 24 is advantageous because the thumb structure 220, index finger structure 222 and MRP structure 224 provide various degrees of freedom that allow the formation of various grasps or grips. Additionally, the different drives for each of the thumb structure 220, index finger structure 222 and MRP structure 224 provide various beneficial characteristics to the hand assembly 24. For instance, the thumb structure 220 moves relatively slow, but with greater force than the index finger structure 222 and MRP structure 224. The index finger structure 222 moves quickly, but with less force and is non-backdrivable. This combination of thumb structure movement and index finger

structure movement allow the quick formation of strong hand grips. Additionally, the combination allows for a smaller index finger actuator, which reduces size and weight of the hand assembly 24. Additionally, the index finger structure 222 and MRP structure 224 move similar to human fingers, which makes them look more natural and makes them more intuitive for the user to control. The MRP structure 224 provides only bulk control for gripping objects, without providing for individual finger manipulation, since fine control is not necessary for the MRP structure 224. Additionally, the MRP structure 224 advantageously moves each finger of the MRP structure 224 with a single actuator, eliminating excessive bulk in the hand assembly 24. Like the index finger structure, the MRP structure 224 moves quickly with low force but is also non-backdrivable. Additionally, the fingers of the MRP structure 224 are highly flexible, allowing them to grip objects of varying size and shape. The MRP structure 224 functionality allows the user to grasp an object with the MRP structure 224 and thumb structure 220, while allowing the user to move the index finger structure 222 separately, for example, to activate a button on the object.

[00168] The various parts of the prosthetic arm apparatus 10 are, in some embodiments, constructed from plastic or magnesium. However, where more strength is desired, the parts may be made of aluminum, titanium or steel. In other embodiments, the various parts of the prosthetic arm may be constructed of other metals or plastics, depending on the desired characteristics, including strength, weight, compliance or other similar performance characteristics of the various parts.

[00169] Referring to FIG. 35, a tactile feedback sensor 296 may be positioned on the inner side of the thumb structure 220. The tactile feedback sensor 296 may be a pressure sensor, force sensor, a displacement sensor, or other similar sensor capable of providing the user with feedback. Referring to FIG. 36, the tactile feedback sensor 296 is operatively connected to a feedback actuator 298. The tactile feedback sensor 296 may be connected to the feedback actuator 298 by either wires or wirelessly. In operation, as the user grips an object with the hand assembly 24, feedback sensor 296 reads the displacement of or the force exerted on the thumb structure 220. That reading is then sent to the feedback actuator

298, which gives the user tactile feedback that indicates the strength of the grip. Feedback actuator 298 may be placed on the chest of the user, located on a prosthetic support apparatus 299 in an area of tactile communication with the user, or in any other location capable of receiving tactile feedback, such as on a user's residuum 300. Referring to FIG. 37, the feedback actuator 298 may be located on a foot controller 302 that is used to control hand assembly 24.

[00170] Feedback actuator 298 may be a vibration motor, such as any vibration motor known in the art, placed against the skin of the user. As the user grips an object, feedback actuator 298 begins vibrating, notifying the user how strong the object is being gripped. As the force on or displacement of the tactile feedback sensor 296 changes, frequency and/or amplitude of vibration may also change, notifying the amputee of a changing grip. For example, if a vibrating actuator 298 is placed at the chest of the user as in FIG. 36, the user will feel the vibration at his chest.

[00171] The feedback actuator 298 may also be placed wherever the controller for the hand assembly 24 is located. For example, if a foot controller 302 controls the hand assembly 24, the feedback actuator 298 may be incorporated into the foot controller 302. The user will then receive tactile feedback of the strength of the prosthetic grip at the same location where the controller is located.

[00172] The actuator 298 may also be a pressure actuator that applies pressure against the user's skin. For example, the actuator 298 may have a rod that increases pressure against the amputee's skin as the hand assembly 24 increases its grip on an object.

[00173] Although described with a single tactile feedback sensor 296, additional tactile feedback sensors may be placed at other locations on the hand assembly 24. For example, additional tactile feedback sensors 296 may be placed on the index finger structure 222, the MRP structures 224, on the palm of the hand assembly 24, or on any combination of these positions or any other location. Each tactile feedback sensor 296 would then be operatively connected to an associated feedback actuator 298. Multiple tactile feedback sensors 296 and actuators 298

would provide more sophisticated tactile feedback of the strength of the grip, improving the control of the hand assembly 24.

[00174] In some embodiments, the tactile feedback sensor 296 may indicate a change in pressure or force, rather than an absolute pressure or force. For example, if the force detected by the tactile feedback sensor 296 is constant, the feedback actuator 298 does not actuate, but if that pressure or force increases or decreases, the actuator 298 would actuate to indicate the change in pressure or force. Additionally, although described in terms of grip strength, the tactile feedback sensors 296 and actuators 298 may provide a variety of other feedback including temperature, an operational mode of the prosthetic arm 10, surface finish of an object, slip of an object within the hand assembly 24 or the like.

[00175] In operation, the prosthetic arm apparatus is able to move substantially similar to a human arm. Referring to FIGS. 29 and 30, starting with the hand assembly 24, the thumb structure 220, index finger structure 222, and MRP structure 224 are each driven independent of the others, and therefore, each may be actuated without actuating the other two structures. Both of the thumb actuators 276 control motion of the thumb structure 220 in a direction toward or away from the center of the palm of the hand assembly 24, as shown in FIG. 34, through the miter gear 294 and in a direction toward or away from the side of the palm of the hand assembly 24, as shown in FIG. 34, through the lateral rotation shaft, depending upon the direction and speed of rotation of each thumb actuator 276. Thus, the thumb actuators 276, shown in FIG. 34, provide the thumb structure 220 with two degrees of freedom in the thumb structure's movement. Coupling the two thumb actuators 276 through the differential described above to provide the two degrees of freedom to the thumb structure 220 is advantageous over providing a single degree of freedom with each actuator 276 because the torque of each actuator 276 through the differential is used for movement in both degrees of freedom, which effectively doubles the torque of the thumb in each direction as compared to single actuators. Specifically, the index finger structure 222 may be actuated toward or away from the palm of the hand assembly 24, wherein the movement path is similar to that of a human index finger while making or releasing a fist. The middle finger 226, ring finger 228, and pinky

finger 230 of the MRP structure 224 are actuated by the MRP differential drive 236. Additionally, the middle finger 226, ring finger 228, and pinky finger 230 are actuated toward or away from the palm of the hand assembly 24, similar to the index finger structure 222. However, the middle finger 226, ring finger 228, and pinky finger 230 are each geared separately, such that the rate of movement of each is different, simulating human finger movement and making the hand assembly 24 more similar to a human hand than conventional prior art prosthetic devices.

[00176] Referring to FIG. 1, the hand assembly 24 is mounted on the wrist flexion assembly 22 via the hand interface 198, as shown in FIG. 25. Referring to FIG. 25, as the output arm 196 of the wrist flexion assembly 22 is actuated, the hand assembly 24 is also caused to move. The output arm 196 of the wrist flexion assembly 22 may be actuated pivotally about wrist flexion pivot axle 208, as shown in FIG. 27, moving the hand interface 198 to the left or right, and thus pivoting the hand assembly 24 in relation to the input support structure 192.

[00177] Referring back to FIG. 1, the wrist flexion assembly 22 is attached to the wrist rotator 20 via wrist flexion assembly interface 172, shown in FIG. 23. Referring to FIGS. 23 and 24, when actuated, the wrist flexion assembly interface 172 is rotated about wrist shaft 188 in relation to the wrist outer bearing carrier 164. Therefore, the wrist flexion assembly 22, and attached hand assembly 24 are also caused to rotate in reference to the wrist outer bearing carrier 164 by actuation of the wrist rotator 20. Therefore, the wrist rotator 20 allows the prosthetic arm apparatus 10 to move in rotation similar to a human wrist joint.

[00178] Referring back to FIG. 1, the wrist rotator 20 is attached to the elbow flexion assembly 18 via the wrist interface 130, shown in FIG. 18. Referring to FIG. 20, when the elbow flexion assembly 18 is actuated, the radial mount 122 is rotated about the axis of motor rotor 134. The wrist rotator 20, wrist flexion assembly 22, and hand assembly 24 are thus also caused to rotate about the axis of motor rotor 134 because they are attached at the wrist interface to the radial mount 122. Therefore, the elbow flexion joint 18 allows the prosthetic arm apparatus 10 to move similar to flexion extension of a human elbow joint.

[00179] Referring back to FIG. 1, the elbow flexion assembly 18 is attached to the humeral rotator 16 via the humeral mount 96, shown in FIG. 16. Referring to FIG. 16, actuation of the humeral rotator 16 causes the humeral mount 96 to rotate in relation to the outer bearing carrier 90 of the humeral rotator 16. Since the elbow flexion assembly 18, wrist rotator 20, wrist flexion 25 assembly 22, and hand assembly 24 are attached to the humeral mount 96, they are also caused to rotate in relation to the outer bearing carrier 90. This allows the prosthetic arm apparatus 10 to rotate to perform an arm wrestling motion.

[00180] Referring back to FIG. 1, the humeral rotator 16 is attached to the shoulder flexion assembly 14 through the humeral interface 46, shown in FIG. 9. Referring to FIG. 9, actuation of the shoulder flexion assembly 14 causes the main shoulder housing 42 to pivot about the center of the abductor interface 44. Since the humeral rotator 16, elbow flexion assembly 18, wrist rotator 20, wrist flexion assembly 22, and hand assembly 24 are attached to the main housing 42, they are also caused to rotate in relation to the abductor interface 44. Therefore, the shoulder flexion assembly 14 allows the prosthetic arm apparatus 10 to move along the torso simulating running motion.

[00181] Referring to FIG. 1, the shoulder flexion joint 14 is attached to the shoulder abductor 12 through the shoulder flexion assembly mount 30, shown in FIG. 5. Referring to FIG. 5, the shoulder abductor 12 is attached to a harness that is worn by the user via harness mount 26. When the shoulder abductor 12 is actuated in a positive direction, the shoulder flexion assembly mount 30 pivots away from the harness mount 26, and the user. Similarly, by actuating the shoulder abductor in a negative direction, the shoulder flexion assembly mount 30 is pivoted toward the harness mount 26 and the user. Since the shoulder flexion assembly 14, humeral rotator 16, elbow flexion assembly 18, wrist rotator 20, wrist flexion assembly 22, and hand assembly 24 are attached to shoulder abductor 12 at the flexion assembly mount 30, they are also caused to pivot with the shoulder flexion assembly mount 30.

[00182] One characteristic of the prosthetic arm apparatus described herein

is that it provides the user with substantially the same movement capabilities and degrees of freedom of a human arm, including two degrees of freedom in shoulder functionality. Additionally, the modularity of each segment of the prosthetic arm apparatus 10 provides a significant advantage over conventional prosthetic devices. In particular, since each segment of the plurality of segments operates independently of each other segment of the plurality of segments, fewer segments may be used for less severe amputees. For example, a transhumeral amputee may have full shoulder functionality in the residuum, in which case the shoulder abductor 12 and shoulder flexion assembly 14 segments would be omitted from the prosthetic arm apparatus 10. The resulting prosthetic arm apparatus 10 would include the humeral rotator 16, the elbow flexion assembly 18, the wrist rotator 20, the wrist flexion assembly 22, and the hand assembly 24, wherein the humeral rotator 16 would be attached to the prosthetic harness. In some cases, the residuum of the transhumeral amputee may even have humeral rotation, in which case the prosthetic arm apparatus 10 may be further simplified to include only the elbow flexion assembly 18, the wrist rotator 20, the wrist flexion assembly 22 and the hand assembly 24, with the elbow flexion assembly 22 being attached to the prosthetic support apparatus. Similarly, for a transradial amputee, the prosthetic arm apparatus 10 may include only the wrist rotator 20, wrist flexion assembly 22 and the hand assembly 24, with the wrist rotator 20 being attached to the prosthetic support apparatus. Additionally, in some embodiments, the prosthetic arm apparatus 10 may be further simplified to include only the wrist flexion assembly 22 and the hand assembly 24 when the transradial amputee has wrist rotation in their residuum. In these embodiments, the wrist flexion assembly 22 may be attached to the prosthetic support apparatus. Thus, the modularity of each segment of the prosthetic arm apparatus 10 advantageously allows for customization of different prosthetic arm configurations for various users based on the differing degrees of amputation of each user.

[00183] A further advantage of the present invention is the use of non-backdriving clutches to preclude movement of the segments due to forces exerted on the prosthetic arm apparatus 10 when not in motion. These non-backdriving clutches may be particularly beneficial when the segments of the prosthetic arm

apparatus 10 have different strength capacities so that the clutches for specific segments of the prosthetic arm apparatus 10 may lock those segments while other stronger segments are actuated to lift heavy objects. For instance, the non-backdriving clutch in the shoulder flexion assembly 14 may be used to lock out shoulder movement while the elbow flexion assembly 18 is actuated to lift a heavy object. The non-backdriving clutches may also advantageously conserve power since the non-backdriving clutches prevent motion without using power. Thus, the power to specific segments of the prosthetic arm apparatus 10 may be shut off, on a segment-by-segment basis, when not in use, since the non-backdriving clutches in those segments are locking out motion. Additionally, the non-backdriving clutches may also save power by allowing power to the entire prosthetic arm apparatus 10 to be turned off whenever the arm is not in motion while maintaining the prosthetic arm apparatus 10 in a locked position.

[00184] An additional characteristic of the apparatus is that the hand assembly includes independently moving fingers and is capable of completing fine tasks such as pinching, grasping non-uniform objects, and lifting small objects off flat surfaces. Also, the tactile feedback sensor provides the user with feedback, during use of the prosthetic arm apparatus, such as the force of a grip. The apparatus also includes a cosmesis covering on the finger structures, which will be discussed in greater detail below, providing, amongst other things, grip for grasping objects. The rigid fingernail 304, shown in FIG. 34, which may be included on any of the finger structures, provides a backstop for the finger cover to enhance gripping capability. The rigid fingernail 304 also enhances gripping capability by anchoring the finger cover to the finger and allows the user to lift small objects from a surface with the prosthetic arm apparatus 10.

[00185] Referring to FIG. 42A, wherein like numerals represent like elements, in some embodiments, the shoulder abductor 12 and the shoulder flexion assembly 14 shown in FIG. 2, may be integrated as a single shoulder unit 1416, providing both degrees of freedom provided by the shoulder abductor 12 and shoulder flexion assembly 14 of FIG. 2. The single shoulder unit 1416 includes a shoulder housing 1418 pivotally connected to the harness mount 1026, which allows the shoulder unit 1416 to be connected to a prosthetic harness (not

shown) as discussed above. In some embodiments, the shoulder housing 1418 has a smooth outer surface 1419 to shape the shoulder unit 1416 to be similar to a human arm. The shoulder housing 1418 is divided into a flexor portion 1420 and an abductor portion 1422, which are movable relative to one another. The flexor portion 1420 of the shoulder housing 1418 includes the humeral interface 1046 for connecting the humeral rotator 16, shown in FIGS. 1 and 2, to the shoulder unit 1416. The abductor portion 1422 of the shoulder housing 1418 is pivotally connected to the harness mount 1026, which allows the shoulder unit 1416 to interface with a prosthetic harness (not shown) as discussed above.

[00186] Referring to FIGS. 42B and 42C, within the housing 1418 is a shoulder flexion drive 1424 for causing flexion motion of the flexor portion 1420 about a shoulder flexion axis 1426 and an abduction drive 1428 for causing abduction motion of the shoulder housing 1418 about an abduction axis 1430. Additionally, the housing also defines an electronics compartment 1432 for housing control systems and circuits for the integrated shoulder unit 1416.

[00187] The shoulder flexion drive 1424, in one embodiment, includes a shoulder flexion motor 1434 having motor shaft 1058 for driving the shoulder flexion motor pulley 1056. The shoulder flexion motor pulley 1056 drives the shoulder flexion belt 1060, which, in turn, drives the shoulder flexion belt-driven pulley 1062. The shoulder flexion belt-driven pulley 1062 drives the wave generator 1064 of a shoulder flexion harmonic drive gearing system 1436, the output of which is fixedly interfaced with the abductor portion 1422. Thus, as power is transmitted through the shoulder flexion drive 1424 from the shoulder flexion motor 1434 to the output of the harmonic drive gearing system 1436, the flexor portion 1420 rotates relative to the abductor portion 1422 about the shoulder flexion axis 1426. In some embodiments, the motor shaft 1058 and the wave generator 1064 are both hollow shafts to allow passage of an abductor motor shaft 1438 and an abductor screw shaft 1440, respectively, as will be discussed in greater detail below.

[00188] In the exemplary embodiment, the abduction drive 1428 includes the abductor motor 1036 for driving the abductor motor shaft 1438. The abductor

motor shaft 1438 is configured to drive the abductor belt 1038 about its distal end. The abductor belt 1038, in turn, drives the abductor screw shaft 1440, which has an abductor nut 1442 threadedly coupled thereto. The abductor nut 1442 is connected to the harness mount 1026 through a linkage 1444, which is, in some embodiments, a four bar linkage. As power is transmitted through the abductor drive 1426 from the abductor motor 1036 to the abductor screw shaft 1440, the screw shaft 1440 rotates. The rotation of the screw shaft 1440 causes the abductor nut 1442 to displace axially along the screw shaft 1440, which causes pivotal motion of the shoulder housing 1418 through the linkage 1444 about the abduction axis 1430.

[00189] Referring to FIG. 42A, the relative movement between the flexor portion 1420 and the abductor portion 1422 provides the shoulder unit 1416 with a first degree of freedom similar to that of the shoulder flexion joint 14 of FIG. 2. The abductor portion 1422 of the shoulder housing 1418 is pivotally connected to the harness mount 1026 at the abductor joint 1034, providing the shoulder unit with the second degree of freedom by allowing the shoulder housing 1418 to pivot relative to the harness mount 1026 in a similar manner to that discussed above in connection with the shoulder abductor 12 of FIG. 2. Referring to FIGS. 42B and 42C, the integrated shoulder unit 1416 locates the shoulder flexion axis 1426 and the abduction axis 1430 relatively close to one another as compared to separate shoulder flexion and shoulder abduction assemblies, which provides for more intuitive motion that more closely simulates the movement of a human shoulder.

[00190] The shoulder flexion drive 1424 and the abduction drive 1428 discussed above include coaxial motors and coaxial shafts to minimize the size of the single shoulder unit 1416 and to reduce the weight thereof. Thus, these exemplary single shoulder unit 1416 is beneficial because its weight relative to the separate shoulder abductor 12 and shoulder flexion assembly 14, shown in FIG. 2. Additionally, the single shoulder unit 1416 provides more narrow housing 1418, which allows a more natural anatomical position of the shoulder for a broader range of users and may reduce bumping with the user's residuum during use. This embodiment has an additional benefit of decreasing the weight of the

prosthetic. Additionally, as seen in FIGS. 42B and 42C, both the abduction motor 1036 and the shoulder flexion motor 1434 may be located in the vicinity of the electronics compartment 1432, so the electronics for both the shoulder flexion drive 1424 and the abduction drive 1428 may be located in the same place, which eliminates any need to route wiring through the shoulder unit 1416. This is advantageous since running wires across joints is a failure mode in which the wires may crimp and break when moved. Thus, the shoulder unit 1416 eliminates this failure mode by eliminating wires running across the joints that could cause failure of the prosthetic arm 1010.

[00191] Although the shoulder flexion drive 1424 and the abduction drive 1428 have been shown in an exemplary configuration, it should be understood by those skilled in the art that other drive configurations may also be used to drive the single shoulder unit 1416 about the shoulder flexion axis 1426 and the abduction axis 1430. For instance, referring to FIG. 43, the shoulder flexion motor 2434 and the abduction motor 2036 of the single shoulder unit 2416 do not need to be coaxial and they may still each be located within the housing 2418 in the vicinity of the electronics compartment 2432. Additionally, rather than driving the linkage 1444, shown in FIG. 42B, the worm drive 2041 may instead threadably engage an abduction gear 2446 coupled to the harness mount 2026 to generate pivotal movement about the abduction axis 2430.

[00192] Additionally, referring now to FIG. 44, in various embodiments, the integrated shoulder unit 3416 may shift the abduction output to change the location of the harness mount (not shown) to improve mounting location and/or to allow for ninety degrees (90°) of abduction about the abduction axis 3430 without bumping with the residuum (not shown). For example, the location of the abduction output may be changed by extending the abduction drive 3428 with one or more additional shafts, gears, and/or belts.

[00193] Referring to FIG. 45, the flexion assembly mount 4030 may also be shifted away from the harness mount 4026 in the non-integrated shoulder abductor 4012. Referring to FIG. 46, the flexion assembly mount 4030 may also include an accommodating slot 4031 adapted to accommodate portions of the

abductor joint 4034, shown in FIG. 45. Referring back to FIG. 45, the shifted flexion assembly mount 4030 allows the user to orient the shoulder abductor 4012 on the prosthetic support apparatus (not shown) in different orientations while still allowing a range of motion of the shoulder abductor 4012 of at least approximately ninety degrees (90°). This may be particularly advantageous since the mounting orientation of the shoulder abductor 4012 may vary from user to user, which may limit the range of abduction motion with the non-shifted flexion assembly mount 30, shown in FIG. 6. Additionally, in some embodiments, the shifted flexion assembly mount 4030 may house a flex sensor plunger for detecting flexion motion of the shoulder flexion assembly 4014.

[00194] Referring to FIG. 47A, in some embodiments of the present invention, the prosthetic arm apparatus 10, shown in FIG. 1, may include a shoulder free swing system 5770 including a housing 5772 having a harness mount 5026 fixedly secured thereto for attaching to a prosthetic harness. The shoulder free swing system 5770 also includes an arm interface 5774 rotatably secured within the housing 5772 inside a bearing 5776. The arm interface 5774 includes mounting holes 5778 for connecting the shoulder free swing system 5770 to the shoulder unit 1416, shown in FIG. 42B, through the abduction axis 1430 and the linkage 1444, each shown in FIG. 42B.

[00195] Referring to FIGS. 47B and 47C, within the housing 5772, the arm interface 5774 includes a substantially circular portion 5779 that, at its outer circumference, engages the bearing 5776. The substantially circular portion 5779 includes a plurality of locking ramps 5780 formed therein about its inner circumference and may also include one or more magnets 5781 disposed at the outer portion of the locking ramps 5780. Within the substantially circular portion 5779, the shoulder free swing system 5770 includes a plurality of locking plates 5782, each of which has a rotation pin 5783 secured to the housing 5772 about which the locking plate 5782 may pivot. The locking plates 5782 include locking teeth 5784 configured to engage the locking ramps 5780 of the arm interface 5774. The locking plates 5782 also include cam followers 5785 for engaging a cam plate 5786 through cam paths 5788. The cam plate 5786 is connected to a handle 5790 through an actuation plate 5792, shown in FIG. 47A. The handle 5790 extends out

of the housing 5772, thereby allowing for user actuation thereof.

[00196] In operation, when the locking teeth 5784 of the locking plates 5792 are disengaged from the locking ramps 5780 of the arm interface 5774, as shown in FIG. 47B, the arm interface 5774 is able to freely rotate with respect to the harness mount 5026, with its substantially circular portion 5779 rotating within the bearing 5776. However, when the user moves the handle 5790 from the position shown in FIG. 47B to the position shown in FIG. 47C, the actuation plate 5792 rotates, which in turn rotates the cam plate 5786 and causes the locking plates 5782 to rotate until the locking teeth 5784 engage the locking ramps 5780 of the arm interface 5774. The one or more magnets 5781 may advantageously aid in the engagement by drawing the locking teeth 5784 into the locking ramps 5780 and by eliminating backlash. Once the locking teeth 5784 are engaged in the locking ramps 5780, the arm interface 5774 is no longer able to freely move with respect to the harness mount 5026, unless the handle 5790 is returned to the position shown in FIG. 47B. Thus, when the locking teeth 5784 are engaged, the user may operate the prosthetic arm apparatus 10, shown in FIG. 1, in substantially the same manner as discussed above.

[00197] The slopes of the locking teeth 5784, the locking ramps 5780 and the cam paths 5788 may advantageously be designed such that the locking teeth 5784 will automatically become disengaged from the locking ramps 5780 if a torque being transmitted through the shoulder free swing system 5770 exceeds a maximum release torque. For example, in some embodiments the locking teeth 5784 may disengage the locking ramps 5780 if the torque being transmitted through the free swing system 5770 exceeds fifty Newton meters. Thus, the shoulder free swing system 5770 advantageously prevents excessive loading from being transmitted through the prosthetic device without permanently damaging any components of the prosthetic arm apparatus 10, shown in FIG. 1.

[00198] Referring to FIG. 48A, another embodiment of a shoulder free swing system 6770 is shown. The shoulder free swing system 6770 includes a housing 6772 having a harness mount 6026 fixedly secured thereto for attaching to a prosthetic harness. The shoulder free swing system 6770 also includes an arm

interface 6774 rotatably secured within the housing 6772. The arm interface 6774 includes mounting holes 6778 for connecting the shoulder free swing system 6770 to the shoulder unit 1416, shown in FIG. 42B, through the abduction axis 1430 and the linkage 1444, each shown in FIG. 42B.

[00199] Referring to FIG. 48B, a portion 6794 of the arm interface 6774 is rotatably secured in the housing 6772 within bearing 6776. The portion 6794 has a tapered surface 6796 at its inner circumference that contacts a corresponding tapered surface 6798 of a friction plate 6800, thereby forming a tapered frictional interface between the arm interface 6774 and the friction plate 6800. Two or more breakaway locks 6802 are loaded between the arm interface 6774 and the friction plate 6800, each breakaway lock 6802 having a spring (not shown) that tends to separate the friction plate 6800 from the arm interface 6774. The friction plate 6800 includes ball bearings 6804 located within grooves 6806 at its circumference that allow linear motion along an axis 6808, but resist rotation due to an applied torque. The breakaway locks 6802 and the geometry of the tapered surfaces 6796 and 6798 are configured so that the friction plate 6800 and the portion 6794 of the arm interface 6774 separate at a desired applied torque, for example, fifty Newton meters, thereby allowing the arm interface 6774 to slowly rotate while engaging the friction plate 6800 at the tapered surface 6798 to lower the prosthetic arm apparatus 10, shown in FIG. 1, until it loses its potential energy. To manually engage and/or disengage the free swing system 6770 The handle 6790 may be rotated to move a ramp 6810 linearly inward or outward along axis 6808, thereby reengaging or disengaging, respectively, the breakaway locks 6802 and, therefore, the free swing system 6770.

[00200] Referring now to FIG. 49, another embodiment of the wrist rotator 1020 is shown for providing improved electronic wiring capability to the prosthetic device. Although shown as the wrist rotator 1020, it should be understood by those skilled in the art that a similar configuration may be used for other rotating joints, such as the humeral rotator 16, shown in FIG. 1. In this embodiment of the wrist rotator 1020, the wrist rotator motor 1448, including the wrist rotator motor armature 1174 and a driven portion 1450 of the wrist rotator motor rotor 1176 having wrist rotator magnets 1178 disposed thereon, and the

wrist harmonic drive gearing system 1452, including the wrist rotator harmonic drive gearing system wave generator 1180, the wrist rotator harmonic drive gearing system flexspline 1182 and the wrist rotator harmonic drive gearing system circular spline 1184, are separated into coaxial side-by-side units with the wrist rotator motor 1448 being proximate to the elbow interface 1170 and the harmonic drive gearing system 1452 being proximate to the wrist flexion assembly interface 1172. By arranging the wrist rotator motor 1448 and the wrist harmonic drive gearing system 1452 in the side-by-side configuration, the electronics channel 1190 passing through the center of the wrist rotator rotor 1176 may be formed large enough to allow electronic wiring to be run internally through the center of the wrist rotator 1020. Referring to FIGS. 50 and 51, the wiring through the prosthetic arm 10, shown in FIG. 1, in some embodiments, may run through one or more extension springs 1454, in particular around the flexion joints, such as the elbow flexion assembly 18 and the wrist flexion assembly 22, shown in FIG. 1, where internal wiring is difficult or impractical.

[00201] Routing the wiring through the center of the wrist rotator 1020 eliminates the need for external wiring, thereby minimizing any flexing movement experienced by the wiring, which can cause wire pinching, abrasions and failure. The internal wiring also eliminates the possibility that external wiring will become caught on something and break. Routing the wiring through the one or more extension springs 1454 where internal wiring is not practical, possible or desired allows for controlled loading of the external wiring and protects the wiring from pinching to reduce wire failure.

[00202] Referring to FIG. 52, in another embodiment of the wrist flexion assembly 1022, the output arm 1196 is able to move in flexion relative to the input support structure 1194 about a flexion axis 1456 and to move in ulnar-radial deviation relative to the input support structure 1194 about a deviation axis 1458. Thus, when the hand assembly 24, shown in FIG. 1, is attached to the output arm 1196 of the wrist flexion assembly 1022, the hand assembly 24, shown in FIG. 1, is able to move in both flexion and ulnar-radial deviation.

[00203] Referring to FIG. 53, the wrist flexion assembly 1022 includes two

wrist motors 1202, for controlling the flexion and ulnar-radial deviation of the output arm 1196, shown in FIG. 52. Each wrist motor 1202 drives an input geartrain 1460, which, in turn, drives a wrist worm gear 1462. Each worm gear 1462 drives an input gear 1464 of a wrist differential 1466. The wrist differential 1466 includes a first bevel gear 1468 and a second bevel gear 1470 that are rotatable about the flexion axis 1456. The first bevel gear 1468 and the second bevel gear 1470 may be driven by one of the input gears 1464. The wrist differential 1466 also includes a differential body 1472 rotatably attached about the flexion axis 1456 between the first and second bevel gears 1468 and 1470. An ulnar-radial axle 1474 extends from one side of the differential body 1472 along the ulnar-radial axis 1458 and a third bevel gear 1476 extends from the differential body 1472 on the opposite side thereof. The third bevel gear 1476 is rotatable about the ulnar-radial axis 1458 and meshes with and is driven by the first bevel gear 1468 and the second bevel gear 1470.

[00204] In operation, the user is able to actuate wrist flexion, wrist ulnar-radial deviation and combinations thereof by actuating the motors 1202 in various ways. For example, referring to FIG. 54, if the motors 1202 are driven at the same speed in opposite directions, i.e. one is driven clockwise and the other counterclockwise, the output arm 1196, shown in FIG. 52 will move in flexion in one direction about the flexion axis 1456. If the direction of each motor is reversed, i.e. from spinning clockwise to counterclockwise and vice versa, the output arm 1196, shown in FIG. 52, will flex in the opposite direction. Similarly, referring to FIG. 55, if the motors 1202 are driven at the same speed in the same direction, i.e. both are driven clockwise, the output arm 1196, shown in FIG. 52, will move in ulnar-radial deviation in one direction about the deviation axis 1458. If the direction of each motor is reversed, i.e. from spinning clockwise to counterclockwise, the output arm 1196, shown in FIG. 52, will move in ulnar-radial deviation in the opposite direction about the deviation axis 1458. In addition to varying the direction of rotation of the motors 1202, varying the speed of one motor 1202 relative to the other will result in a combination of flexion and ulnar-radial deviation. Accordingly, in this embodiment, wrist flexion and ulnar-radial deviation may both be controlled simply by varying the direction and speed of the motors 1202.

[00205] Although the wrist flexion assembly 1022 is described as having a differential drive 1466 for imparting wrist flexion and wrist ulnar-radial deviation movement to the output arm 1196, it should be understood by those skilled in the art that other drives may be used to achieve similar capabilities. For instance, referring to FIG. 56, the wrist flexion assembly 2022 may include a separate wrist flexion geartrain 2478 for imparting flexion motion to the output arm 2196 about the flexion axis 2456 and a separate ulnar-radial geartrain 2480 for imparting ulnar-radial deviation to the output arm 2196 about the deviation axis 2458.

[00206] Referring to FIG. 76, in another embodiment of the present invention, a wrist flexion assembly 4022 is provided for imparting a combination of both flexion about the flexion axis 4456 and ulnar-radial deviation about the deviation axis 4458 to the hand assembly 4024 in a single movement. The wrist flexion assembly 4022 includes the input support structure 4194 adapted to be connected to the wrist rotator 20, shown in FIG. 1, in the same manner as discussed above. The wrist support structure 4194 includes a hand interface 4626 proximate to the hand assembly 4024 for attaching the hand assembly 4024 to the wrist support structure 4194. The wrist support structure 4194 houses a wrist motor 202, shown in FIG. 26, which drives the wrist pivot axle 4208 in rotary motion about the wrist flexion axis 4456 through an appropriate gear train (not shown). The wrist pivot axle includes flattened end portions 4628 at each end thereof, extending outwardly from the wrist support structure 4194 and into the hand interface 4626. Each flattened end portion 4628 has two substantially parallel planar surface 4630 extending parallel to the wrist flexion axis 4456. The hand interface 4626 includes a first cam bearing 4632 fixedly secured to the wrist support structure 4194 about the flattened end portion 4628 of the wrist pivot axle 4208 proximate to the thumb structure 4220 of the hand assembly 4024. The hand interface also includes a second cam bearing 4634 fixedly secured to the wrist support structure 4194 about the flattened end portion 4628 of the wrist pivot axle 4208 proximate to the pinky finger 4230 of the hand assembly 4024. Referring to FIG. 77, the first cam bearing 4632 includes a first cam profile 4636 formed therein. Referring to FIG. 78, the second cam bearing 4634 includes a second cam profile 4638 formed therein. Referring back to FIG. 76, the hand interface 4626 also

includes first and second slider blocks 4640 coupling the hand assembly 4024 to the wrist flexion assembly 4022. The first and second slider blocks 4640 each have a proximate end 4642 at the hand interface 4626 and a distal end 4644 near the hand assembly 4024. Each of the first and second slider blocks 4640 has a slot 4646 formed therein that slidably receives one of the flattened end portions 4628 of the wrist pivot axle 4208. The first and second slider blocks 4640 include cam followers 4648 at their proximate ends 4642 that are received within the first cam profile 4636 of the first cam bearing 4632 and the second cam profile 4638, shown in FIG. 78, of the second cam bearing 4634. The first and second slider blocks 4640 are pivotally coupled to the hand assembly 4024 at their distal ends 4644 about pivot axes 4650.

[00207] In this embodiment, the hand assembly 4024 may be angled away from the flexion axis 4456 about a wrist rotation axis 4652 to reduce the motion that the first cam profile 4636 and the second cam profile 4638 need to produce to achieve the desired combined flexion and ulnar-radial deviation movement of the hand assembly 4024. In some embodiments, the hand assembly 4024 is angled approximately thirty degrees clockwise (30° clockwise) assuming left hand user perspective from the flexion axis 4456.

[00208] Referring to FIGS. 79A-79C, in operation, the wrist motor 202, shown in FIG. 26, drives the wrist pivot axle 4208 in rotation movement about the flexion axis 4456, which provides the hand assembly 4024 with flexion movement. Additionally, the sliding engagement between the flattened end portions 4628 of the wrist pivot axle 4208 and the first and second slider blocks 4640 causes the first and second slider blocks 4640 to pivot about the flexion axis 4456 as the wrist pivot axle 4208 rotates. As the first and second slider blocks 4640 pivot, the cam followers 4648, shown in FIG. 76, follow the first cam profile 4636, shown in FIG. 77, and the second cam profile 4638, shown in FIG. 78, which causes the first and second slider blocks 4640 to slide relative to the wrist pivot axle 4208. This sliding motion of each of the first and second slider blocks 4640 causes the hand assembly 4024 to pivot about the pivot axes 4650, shown in FIG. 76, which results in the ulnar-radial deviation movement of the hand assembly 4024. Thus, as the wrist motor drives the wrist pivot axle 4208, the hand assembly 4024 moves from a first

position 4654, shown in FIG. 79A, in which the hand is fully flexed and deviated in the ulnar direction, to a second position 4656, shown in FIG. 79B, which is a neutral position with respect to flexion movement but includes some degree of ulnar deviation. Then, the hand assembly 4024 continues to move until it reaches a third position 4658, shown in FIG. 79C, in which the hand assembly 4024 is fully extended about the flexion axis 4456 and is also fully deviated in the radial direction.

[00209] Referring to FIG. 80, the first cam profile 4636, shown in FIG. 77, and the second cam profile 4638, shown in FIG. 78, provide for movement of the hand assembly 4024, shown in FIG. 76, along a constrained flexion-deviation movement path 4660 that includes components of both flexion motion and ulnar-radial deviation motion. The constrained flexion-deviation movement path 4660 is advantageous because the user only needs to think about controlling a single degree of freedom, unlike the embodiments discussed above that provide independent wrist flexion movement and ulnar-deviation movement. Additionally, the constrained flexion-deviation movement path 4660 is beneficial because it provides for full flexion movement and also provides for nearly full ulnar deviation without requiring full wrist flexion. Thus, functionality is particularly beneficial when users use the prosthetic arm apparatus 10, shown in FIG. 1, to pick up an object (not shown) from overhead. The constrained flexion-deviation movement path 4660 also advantageously allows for approximately twenty-four degrees (24°) of flexion movement without significant ulnar deviation, which allows the user to move an object, such as a spoon, in flexion motion without spilling its contents. This range of flexion movement with minimal ulnar deviation provided by the constrained flexion-deviation movement path 4660 may also be beneficial to compensate for offset in situations where the prosthetic arm apparatus 10, shown in FIG. 1, is mounted at an offset, for example, to avoid the user's residuum. Additionally, since the hand assembly 4024, shown in FIG. 76, is angled in the neutral second position 4656, shown in FIG. 79B, pinching of the thumb structure 4220, shown in FIG. 76, and index finger structure 4222, shown in FIG. 76, are more in line with the wrist rotation axis 4652, which makes various tasks easier for the user, such as turning a door knob, turning a key or the like. Thus, the constrained flexion-deviation

movement path 4660, or other similar paths, provided by the wrist flexion assembly 4022, shown in FIG. 76, provides a variety of advantages over conventional prosthetic devices.

[00210] Additionally, in some embodiments, the flexion axis 4456, shown in FIG. 76, may be shifted from its neutral position to provide various benefits. For example, the flexion axis 4456, shown in FIG. 76, is shifted approximately thirty degrees (30°) from its neutral position. This shift provides a prosthetic hand attached to the wrist flexion assembly 4022, shown in FIG. 76, with a more natural appearance and may aid in positioning the hand for various tasks, such as turning a door knob, turning a key or the like.

[00211] Although described in terms of constrained flexion-deviation movement path 4660, shown in FIG. 80, it should be understood by those skilled in the art that the first cam profile 4636, shown in FIG. 77, and the second cam profile, shown in FIG. 78, may be formed in various configurations to achieve a variety of different constrained movement paths. Additionally, although the constrained flexion-deviation movement path 4660 has been described in connection with the wrist flexion assembly 4022, the constrained flexion-deviation movement path 4660 may also be commanded using the flexion assembly 1022, shown in FIG. 52, by programming the prosthetic controller to actuate the motors 1202, shown in FIG. 53, to move the prosthetic hand assembly 24 along the same constrained flexion-deviation path 4660.

[00212] Referring to FIG. 81, in some embodiments, a compound motion assembly 5662 may be provided to impart two-axis motion to the various segments discussed herein. The compound motion assembly 5662 includes an input member 5664, an output member 5666 and an intermediate member 5668. The input member 5664 is movably coupled to the intermediate member 5668 through a first joint 5670 and the output member 5666 is movably coupled to the intermediate member 5668 through a second joint 5672 such that the first joint 5670 and the second joint 5672 are arranged in series between the input member 5664 and the output member 5666 with the intermediate member arranged therebetween.

[00213] The input member 5664 includes an input interface 5674 at one end thereof, two support posts 5676 extending outwardly from the input interface to the first joint 5670 and a path member 5678 secured to the support posts 5676 at the first joint 5670. The input interface 5674 has bolt holes 5680 or similar connection means to allow the input member 5664 to be secured to an adjacent segment of the prosthetic device 10, shown in FIG. 1, at the input interface 5674. The support posts 5676 are spaced apart from one another at a sufficient distance to accommodate the intermediate member 5668 therebetween, as will be discussed in greater detail below. The path member 5678 forms an arch extending over the intermediate member 5668 and connecting one of the support posts 5676 to the other support post 5676.

[00214] Referring to FIGS. 82 and 83, the path member 5678 includes an outer surface 5677 and an inner surface 5679 that are both substantially spherically shaped to ensure clearance between the path member 5678 and the output member 5666 and the path member 5678 and the intermediate member 5668, respectively. The path member 5678 also includes a base portion 5682 at each end thereof for interfacing with the support posts 5676, shown in FIG. 81. Each base portion 5682 includes mounting holes 5684 for fastening the path member 5678 to the support posts 5676, shown in FIG. 81. The path member 5678 has a fixed path profile 5686 formed therethrough and extending along at least a portion of the arch of the path member 5678 between the two base portions 5682. The fixed path profile 5686 has a curvature that is selected to define the compound motion of the output member 5666 relative to the input member 5664, as will be discussed in greater detail below. The fixed path profile 5686 may be asymmetrical, as shown, or may instead be symmetrical depending upon the desired compound motion.

[00215] Referring back to FIG. 81, as discussed above, the path member 5678 is preferably a separate element fixedly secured to the support posts 5676 so that the path member 5678 may advantageously be removed and replaced as will be discussed below. However, those skilled in the art should understand that the path member 5678 may instead be integrally formed as part of the input member

5664.

[00216] Referring to FIGS. 81 and 84, the intermediate member 5668 of the compound motion assembly 5662 is pivotally coupled to the input member 5664 at the first joint 5670, such that the intermediate member 5668 pivots about a first axis 5688 of the first joint 5670. The intermediate member is suspended between the support posts 5676 and between the input interface 5674 and the path member 5678 by the first joint 5670 to ensure clearance as the intermediate member 5668 pivots. The intermediate member 5668 is coupled to the output member 5666 at the second joint 5672 such that the output member is able to pivot about a second axis 5690 defined by the second joint 5672. In some embodiments, the first joint 5670 and the second joint 5672 are arranged relative to one another such that the first axis 5688 and the second axis 5690 are substantially coplanar, while in other embodiments, the first axis 5688 and the second axis 5690 may not be substantially coplanar. The intermediate member 5668 may have a spherical shape at the end proximate the path member 5678 to ensure clearance between the intermediate member 5668 and the path member 5678.

[00217] Referring to FIGS. 85 and 86, in some embodiments, the intermediate member 5668 may include a housing 5692 enclosing a drive arrangement 5694 for actuating the compound motion assembly 5662. The drive arrangement 5694 includes a motor 5696 coupled to an output shaft 5698 through a gear train, which may include one or more reduction gears 5702, a strain wave gearing system having a circular spline 5704, a wave generator 5706, a wave generator bearing 5708 and a flex spline 5710 or any other similar gearing system for transmitting torque from the motor 5696 to the output shaft 5698. The output shaft 5698 extends outwardly through both sides of the housing 5692 and is rotatable supported therein by bearings 5712. Each end of the output shaft 5698 is secured to the output member 5666 to form the second joint 5672, shown in FIG. 85, with the second axis 5690 being the axis of rotation of the output shaft 5698. Securing the output shaft 5698 at each end to the output member 5666 provides increased torque to the output member 5666 when the drive arrangement 5694 is actuated. However, in some embodiments, the output member 5666 may only be secured to the output shaft 5698 at one end thereof, thereby simplifying the drive

arrangement 5694. In these embodiments, the other end of the output shaft 5698 may support the output member 5666 rotatably thereon.

[00218] Referring to FIG. 85, power to the motor 5696 is preferably supplied through a circuit board 5714 secured within housing 5692. The circuit board 5714 may include a shaft position sensor 5716 disposed thereon for monitoring movement of the output shaft 5698. For instance, the shaft position sensor 5716 may be an optical sensor having an infrared emitter and receiver that transmits infrared light at a reflective cam surface 5718 fixed to the output shaft 5698 and receives the reflected light signal, thereby enabling position detection. The circuit board 5714 may also include a temperature sensor (not shown) for monitoring the temperature of the motor 5696 to ensure safe operation. The circuit board 5714 may be connected to an external controller (not shown) for supplying power and control to the motor 5696 and for receiving and processing position signals from the shaft position sensor 5716 and the temperature sensor (not shown). In some embodiments, a single cable (not shown) may be used to connect the circuit board 5714 to the controller (not shown). This single cable (not shown) may reduce cable flex as the compound motion assembly 5662 actuates, thereby reducing cable failure, which may result in possible damage to the compound motion assembly 5662 or any components connected thereto. Preferably, the controller (not shown) shorts the motor 5696 when the compound motion assembly 5662 is not being actuated to prevent back-driving of the compound motion assembly 5662, which may also result in possible damage to the compound motion assembly 5662 or any components connected thereto.

[00219] Referring back to FIG. 81, the output member 5666 includes two output arms 5720, each secured to one end of the output shaft 5698, shown in FIG. 85, and extending outwardly past the path member 5678 to an output interface 5722. The two output arms 5720 are connected by a follower member 5724 having an extension 5726 that is accommodated within the fixed path profile 5686 of the path member 5678. The extension 5726 may be, for example, a cam bearing for slidably engaging the fixed path profile 5686, as will be discussed below. Preferably, the follower member 5724 is removably coupled to the output arms 5720 by bolts 5728 or the like. The output interface 5722 includes bolt holes 5680

or similar connection means to allow the output member 5666 to be secured to an adjacent segment of the prosthetic device 10, shown in FIG. 1, at the output interface 5722. For example, referring to FIG. 87, the compound motion assembly 5662 may be implemented as a prosthetic wrist having the hand assembly 24 mounted to the output interface 5722. Preferably, when implemented as a prosthetic wrist, the cosmesis 1566, shown in FIGS. 67 and 69, would also extend over the compound motion assembly 5662 to protect the moving components of the compound motion assembly 5662 from contamination due to dirt of the like.

[00220] Referring to FIGS. 88A-88F, in operation, as the motor 5696, shown in FIG. 85, is actuated, the output shaft 5698, shown in FIG. 85, turns causing pivotal movement of the output member 5666 at the second joint 5672 about the second axis 5690. As the output member 5666 pivots at the second joint 5672, the extension 5726 of the output member 5666 slides within the fixed path profile 5686. As the extension 5726 slides within the fixed path profile 5686, the curvature of the fixed path profile 5686 moves the extension 5726 laterally causing pivotal movement of the intermediate member 5668 relative to the input member 5664 at the first joint 5670. This pivotal movement also results in pivotal movement of the output member 5666 about the first axis 5688 of the first joint 5670 since the output member 5666 is attached to the intermediate member 5668. Thus, the compound motion assembly 5662 provides compound motion of the output interface 5722 relative to the input interface 5674 about both the first axis 5688 and the second axis 5690 using a single motor 5696, shown in FIG. 85. Therefore, the compound motion assembly 5662 requires only a single degree of freedom as a control input, which reduces the cognitive burden on the user while still providing a complex output movement.

[00221] As discussed above, the fixed path profile 5686 has a curvature that is selected to define the compound motion of the output member 5666 relative to the input member 5664. Referring to FIG. 89, the fixed path profile 5686, shown in FIG. 81, produces compound motion path 5730 having pivotal movement about both the first axis 5688 and the second axis 5690. It should be understood by those skilled in the art that the fixed path profile 5686 may be changed to produce alternative motion paths 5732, depending upon the desired movement of the

output interface 5722, shown in FIG. 81. Thus, when the compound motion assembly 5662, shown in FIG. 87, is used with a prosthetic hand 24, shown in FIG. 87, the fixed path profile 5686 may be formed to provide the flexion-deviation movement path 4660, shown in FIG. 80, having all of the advantages discussed above in connection therewith. Alternatively, the fixed path profile 5686 may instead be formed to provide the hand assembly 24, shown in FIG. 87, with an alternative movement path 5732 having another advantageous path of movement for different user needs.

[00222] Referring back to FIG. 81, as discussed above, the path member 5678 is preferably removably attached to the support posts 5676. This advantageously allows the path member 5678 to be easily removed from the compound motion assembly 5662 and replaced if damaged or if an alternative motion path 5732, shown in FIG. 89, is desired for the output interface 5722. Thus, the compound motion assembly 5662 may advantageously be reprogrammed for different uses or different users by the swapping of a single part. Additionally, when implemented as a prosthetic wrist, as shown in FIG. 87, the compound motion assembly 5662 may be switched from a right handed to left handed prosthetic wrist, and vice versa, by changing only the path member 5678 and the output arms 5720, each of which is advantageously removably attached to the compound motion assembly for easy removal and installation.

[00223] Referring to FIG. 90, in some embodiments, the compound motion assembly 5662 and any metal structure secured thereto, such as hand assembly 24, shown in FIG. 87, may be incorporated into a first antenna 5818 for communication between the arm control module (ACM) stack 5128 and an external device such as a control unit for the prosthetic arm apparatus 10, shown in FIG. 1. The compound motion assembly 5662 forms a radiating element 5820 of the first antenna 5818 and a first printed circuitboard 5822 of the ACM stack 5128 connected to the radiating element 5820 provides the remainder of the antenna 5818.

[00224] Referring to FIG. 91, the compound motion assembly 5662 includes a grounding disc 5824 at the interface with the ACM stack 5128, shown in FIG. 90,

that electrically isolates the radiating element 5820 from the first printed circuitboard 5822. A screw connection 5826 passes through the grounding disc 5824 to allow the printed circuitboard 5822 to be secured thereto with a screw (not shown). The screw connection 5826 advantageously facilitates both a mechanical connection between the printed circuitboard 5822 and the radiating element 5820 as well as an electrical connection between the radiating element 5820 and the antenna matching network circuit on the printed circuitboard 5822.

[00225] Thus, referring to FIG. 92, the compound motion assembly 5662, as well as any metal structure secured thereto, provides the radiating element 5820 for the first antenna 5818, while the rest of the electrical components of the first antenna 5818 may be housed on the printed circuitboard 5822. In some embodiments, the impedance of the compound motion assembly 5662, as well as any metal structure secured thereto, is matched to that of the transceiver of the printed circuitboard 5822 to provide for efficient energy transfer. By providing the entire compound motion assembly 5662, and any metal structure attached thereto, as the radiating element 5820, with its impedance matched to that of the transceiver, the first antenna 5818 necessarily provides a better and more robust antenna than substantially any antenna that could be housed within the wrist structure itself. Therefore, the first antenna 5818 may advantageously be implemented as the primary communication channel for the prosthetic arm apparatus 10, shown in FIG. 1, transferring critical commands, such as commands relating to prosthetic movement, to and from the ACM stack 5128, shown in FIG. 90. Additionally, due to the size of the radiating element 5820, the signaling to and from the first antenna 5818 is less susceptible to multi-path interference, which often presents a significant problem for short-range communications within buildings due to signal reflections and the like.

[00226] Although multi-path interference is not a significant problem for the first antenna 5818 due to the size of the radiating element 5820, it may, in some embodiments, be a problem for short-range communications within buildings. In particular, typical short-range communication frequencies, for example, approximately 2.5 GHz, do not typically pass through human torsos. Additionally, signal reflection within a building may result in signals that are the

same, except 180 degrees out of phase, being received by an antenna, which causes the signals randomly and periodically to completely cancel.

[00227] Accordingly, referring to FIGS. 93 and 94, a second antenna 5828 for overcoming the transmission issues associated with in-building interference may be formed entirely on a second printed circuitboard 5830 of the ACM stack 5128, shown in FIG. 90. The second antenna 5828 includes a first chip antenna 5832 and a second chip antenna 5834 mounted on the printed circuitboard 5830 at an angle of approximately 90 degrees relative to one another. The first chip antenna 5832 and the second chip antenna 5834 are connected to a transceiver 5835, shown in FIG. 93, of the second antenna 5828 through a combiner 5836 that passively combines signals received by the first and second chip antennas 5832 and 5834 by taking only the stronger of the two signals. In some embodiments, the combiner 5836 may be a 90 degree phase combiner, while in other embodiments the combiner may include some other phase angle. Additionally, although the first and second chip antennas 5832 and 5834 have been described as being offset approximately 90 degrees relative to one another, one skilled in the art should understand that the first and second chip antennas 5832 and 5834 may be offset at other angles to suit some other need while still achieving substantially the same benefit as that achieved with the 90 degree offset.

[00228] The offset angle between the first chip antenna 5832 and the second chip antenna 5834 advantageously allows the second antenna 5828 to mitigate multi-path interference by capturing signals in different phase angles. Thus, the second antenna 5834 may advantageously provide the prosthetic arm apparatus 10, shown in FIG. 1, with a secondary antenna for less critical signals where some interference is acceptable. For example, the second antenna 5828 may be used for calibration of the prosthetic arm apparatus 10, shown in FIG. 1, via a personal computer or for downloading data logs from the prosthetic arm apparatus 10, shown in FIG. 1, to the personal computer. Thus, while some embodiments of the present invention may implement only the first antenna 5818, shown in FIG. 90, or the second antenna 5828, other embodiments may implement both the first and second antennas 5818 and 5828 to cooperate and provide a more robust communication system.

[00229] Although described herein in the context of a prosthetic arm and/or prosthetic hand, it should be understood that the antennas described herein may be used for communication in various other devices and are not necessarily limited to use in a prosthetic arm/ prosthetic hand.

[00230] Referring to FIG. 95, in some embodiments, compound motion assembly 6662 may include a path member 6678 having the fixed path profile 6686 formed on each peripheral edge thereof. In this embodiment, the output member 6666 includes two extensions 6726, each extension 6726 engaging one of the fixed path profiles 6686. This embodiment operates in substantially the same manner as the embodiments discussed above. However, this embodiment may advantageously provide for a more compact compound motion assembly 6662.

[00231] Referring back to FIG. 81, although described in connection with the detailed embodiments herein, it should be understood by those skilled in the art that the compound motion assembly 5662 may advantageously be implemented in various industrial and manufacturing environments, or the like. Thus, the compound motion assembly may provide equipment and/or machinery having complex compound motion paths 5730, shown in FIG. 89, controlled through simplified single degree of freedom inputs. In these embodiments, the compound motion assembly 5662 may be scaled up or down in size to meet specific or desired requirements. Additionally, path members 5678 may be swapped in and out to alter the compound motion path 5730, shown in FIG. 89. The input interface 5674 may advantageously be secured to a floor, a table or similar workstation to provide a fixed frame of reference from which the output interface 5722 is actuated. Additionally, the output interface 5722 may advantageously be adapted to accommodate various industrial or manufacturing tools thereon.

[00232] Still referring to FIG. 81, although the compound motion assembly 5662 has been described as having a drive arrangement 5694, shown in FIG. 85, for actuating the compound motion assembly 5662, some embodiments of the present invention may not be powered, thereby simplifying the compound motion assembly 5662 by eliminating the drive arrangement 5694, shown in FIG.

85. For example, FIG. 96 shows an embodiment of a non-powered compound motion assembly 7662. The compound motion assembly 7662 may be moved by hand and locked in a desired position through the use of a brake 7736, or the like. Additionally, some non-powered embodiments of the compound motion assembly 7662 may include a handle 7734 to provide for easier manual actuation of the compound motion assembly 7662.

[00233] Referring to FIG. 57A and FIG. 57B, in various embodiments, the non-backdriving clutch 1070 may replace spacers of the input cage 1074 with springs 1482 between the rollers 1072. The springs 1482 push the rollers 1072 apart and into contact with both the race 1078 and the output polygon 1484, which may be an output hex 1076. Thus, when a backdriving torque (not shown) is applied to the output hex 1076 to friction lock the rollers 1072 between the output hex 1076 and the bearing race 1078, the rollers 1072 are already contacting both the race 1078 and the output hex 1076, thereby substantially eliminating backlash, i.e. a slight rotation of the output polygon 1076, when the backdriving torque (not shown) is applied. Thus, the non-backdrivable clutch 1070 imparts a frictional lock, which additional backdriving torque (not shown) through the output hex 1076 will not overcome. Additionally, as discussed above in connection with FIG. 12, in various embodiments, the non-backdriving clutch 1070 may unlock itself through the application of an input load through the input cage 1074. Variations of this embodiment may include, but are not limited to, additional or fewer springs 1482, additional or fewer rollers 1072 or a differently shaped race 1078. For example, in various embodiments, the relative position of the output hex 1076 and the race 1078 may be shifted, i.e., rather than the hollow, circular race 1078 with the output polygon 1484 inside, in various embodiments, the clutch may include an outer hollow output polygon surrounding a circular race. Additionally, although shown as a coil spring, it should be understood by those skilled in the art that the springs 1482 may be formed in various configurations and/or from a variety of metal or elastomeric materials to provide the force for separating the rollers 1072.

[00234] Referring to FIG. 57C, in some embodiments, the non-backdriving clutch 1070 may be integrated in combination with a gearbox 1483 within a single

gearbox housing 1485. In this embodiment, the gearbox 1483 may include an input 1487 for engaging and being driven by a motor (not shown) and an output 1489 that transmits torque from the motor (not shown) to the associated prosthetic joint or segment. For example, the combination gearbox 1483 may be used for the two thumb drives 232, the index drive 234 and the MRP drive 236, all shown in FIGS. 31-34, so that these drives may be assembled and disassembled as a single unit. This advantageously allows sensitive clutch components to be isolated and protected within a single housing 1485. Additionally, this allows the gearbox 1485 to be built separately with the clutch 1070 and gearbox 1483 therein and later assembled into the hand assembly 2024, shown in FIG. 58A, as will be discussed below.

[00235] Referring to FIG. 58A, in some embodiments, the hand assembly 2024 may include a plurality of self-contained subassemblies 2850 to advantageously make assembly and/or disassembly of the hand assembly 2024 easier. The self-contained subassemblies 2850 may be built in parallel and then quickly assembled into the full hand assembly 2024. The self-contained subassemblies 2850 may include, for example, the thumb drives 2232, the index drive 2236 and the MRP drive 2234, each of which may include the integrated gearbox 1483 and clutch 1070, shown in FIG. 57C. The self-contained subassemblies 2850 may also include a first MRP differential 2854 and a second MRP differential 2856 that may be fully assembled as complete units and easily dropped into the hand assembly 2024. The self-contained subassemblies 2850 may also include the thumb assembly 2220, the thumb differential 2852 as well as each of the index finger 2222, middle finger 2226, ring finger 2228 and pinky finger 2230. This advantageously allows the four finger subassemblies to be assembled as complete units and then assembled into the hand assembly 2024 and retained therein using a single pin 2858. Thus, the plurality of self-contained subassemblies 2850 may advantageously make assembly and/or disassembly of the hand assembly 2024 easier and may reduce build time, since each self-contained subassembly 2850 may be completed separately and simultaneously.

[00236] Still referring to FIG. 58A, in some embodiments, the index finger structure 2222 may include a base portion 2860 and a tip portion 2862, which are

connected in a pivotal connection at a knuckle joint 2864. The base portion 2860 connects to the hand assembly 2024 through a pin hole 2865 and includes a gear segment 2866 fixedly connected at its lower end, which interfaces with the index drive 2234 to allow for controlled movement of the base portion 2860 about the pin 2858.

[00237] Referring to FIG. 58B, within the index finger structure 2222 is disposed a two-part linkage element 2868 that includes a non-circular pin hole 2870 at its lower end and pivot bar 2872 at its distal end. The pivot bar 2872 connects to the tip portion 2862 at an offset location from the knuckle joint 2864. The non-circular pin hole 2870 is disposed adjacent to the pin hole 2865 and allows the pin 2858 to pass therethrough when the index finger structure 2222 is assembled to the hand assembly 2024, with a corresponding non-circular portion 2874, shown in FIG. 58A, of the pin 2858 engaging the non-circular pin hole 2870. In operation, when actuated, the index drive 2234 drives the base portion 2860 of the index finger structure 2222 through the gear segment 2866. As the base portion 2860 moves, the two-part linkage 2868 remains grounded due to contact between the non-circular pin hole 2870 with the non-circular portion 2874 of the pin 2858. This, in turn, causes the pivot bar 2872 to move the tip portion 2862 relative to the base portion 2860, thereby achieving the movement of the index structure 2222 that is kinematically deterministic. Since the grounding of the two-part linkage 2868 is achieved through insertion of the pin 2858, it may advantageously be accomplished at essentially any point during assembly of the hand assembly 2024. Additionally, it also advantageously allows the index structure 2222 to be replaced without requiring disassembly of the hand assembly 2024 or a substantial part thereof.

[00238] Referring to FIG. 59, an embodiment for output load sensing through a drive 1486 having a worm gear 1488, such as the shoulder abduction drive 3428 of FIG. 44, is shown. Including one or more worm gears 1488 in the drive 1486 is beneficial because the worm gear 1488 may itself prevent backdriving. The worm gear 1488 may be arranged on a splined shaft 1490 between a first spring 1492 and a second spring 1494. The splined shaft includes a plurality of splines 1496 arranged axially around the surface of the splined shaft

1490 and a shaft input 1498 portion, which may be rotated directly by a motor (not shown) or through a gear train or the like. The worm gear 1494 is tubular and has an interior surface 1500 designed to slidably interface with the splines 1496 of the splined shaft 1490 such that the worm gear 1488 may slide axially along the surface of the splined shaft 1490. The worm gear 1488 meshes with an output gear 1502 such that when the splined shaft 1490 is caused to rotate through its shaft input portion 1498, the splined shaft 1490 rotatably drives the worm gear 1488 through the splines 1496 which, in turn, drives the output gear 1502. When a load (not shown) is applied to the drive through the output gear 1502, for example, if the user is lifting an object, the load will generate a torque T at the output gear 1502. Although the torque T will not cause the worm gear 1488 to rotate, the torque T may cause the worm gear 1488 to displace axially along the splined shaft 1490 compressing one of the first spring 1492 or the second spring 1494, depending upon the direction of displacement. Thus, by designing the drive system 1486 with the first spring 1492 and the second spring 1494 of known spring constants, the compliance, i.e. the displacement of the worm gear 1488, may be measured to estimate the output load (not shown). This drive system 1486 for output load sensing is particularly beneficial since the compliance is still present or active while the worm gear 1488 is not being rotated, but is instead acting as a non-backdriving element.

[00239] The prevention of backdriving with the various systems discussed above is beneficial because it allows the user to maintain a position of the prosthetic arm 10, shown in FIG. 1, while under a load (not shown). However, referring to FIGS. 60A and 60B, in some embodiments, it may be desirable to provide the various arm segments with break-away mechanisms 2504 that will separate the drive output from the drive input to prevent damage to the drive system if the load becomes too large. The break-away mechanism 2504 may include an input shaft 2506, an output shaft 2508 and two break-away spacers 2510 that are held in contact with the input shaft 2506 and output shaft 2508 by a compression member 2512. The input shaft 2506 and the output shaft 2508 each include a shaft body 2514 and a torque transmission tab 2516 extending axially outward from the shaft body 2514 between the break-away spacers 2510. The compression element member 2512 surrounds the break-away spacers 2510 and

sandwiches the torque transmission tabs 2516 therebetween. The compression member 2512 may be, for example, a snap ring, a round metal ring, an o-ring, multiple o-rings, a coil spring, or the like. The compression member 2512 applies a preset compressive force to the breakaway spacers 2510.

[00240] In operation, the input shaft 2506 of the break-away mechanism 2504 is rotated by a motor (not shown) or the like to generate a desired movement of the prosthetic arm 10, shown in FIG. 1. Thus, the torque transmission tab 2516 of the input shaft 2506 rotates and transmits the rotation through the break-away spacers 2510 to the torque transmission tab 2516 of the output shaft 2508 as long as the torque required to cause rotation of the torque transmission tab 2516 of the output shaft 2508 is not large enough to overcome the preset compressive force provided by the compression member 2512. If the torque is large enough to overcome the preset compressive force, the torque transmission tab 2516 will push the break-away spacers 2510 apart and the torque transmission tab 2516 will rotate between the break-away spacers 2510 without transmitting torque therethrough. Thus, the break-away mechanism 2504 may prevent torque above a preset level from being transmitted through the drive system, where it can damage the drive system components. Accordingly, the break-away mechanism 2504 may limit the amount of torque applied to sensitive parts of the various drive systems of the prosthetic arm 10, shown in FIG. 1, and may, therefore, impart a longer lifespan on the prosthetic arm.

[00241] Referring to FIG. 61A, another embodiment of a breakaway mechanism 3504 includes an input ring 3518 and an output ring 3520 connected by a detent ring 3522. The breakaway mechanism 3504 may be connected between two prosthetic arm segments, for example, the input ring 3518 may be connected to the shoulder unit 1416, shown in FIG. 42A, and the output ring 3520 may be connected to the humeral rotator 16, shown in FIG. 1. Referring to FIGS. 62B and 62B, in some embodiments, the input ring 3518, output ring 3520 and the detent ring 3522 each includes an alignment marker 3524 on its outer surface 3526 to indicate proper positioning of the breakaway mechanism 3504.

[00242] Referring to FIG. 61B, the output ring 3520 includes a central hub

3528 having an outer surface 3529 with a plurality of spring fingers 3530 radiating therefrom. Each spring finger 3530 has a first detent 3532 and a second detent 3534 along its length and a pin 3536 at its distal end 3538. The input ring 3518 includes a plurality of detents 3540 around the circumference of its inner surface 3542, within which the pins 3536 of the spring fingers 3530 may engage, as will be discussed in greater detail below. The detent ring 3522 includes a plurality of detent pins 3544 located partway between the inner surface 3542 of the input ring 3518 and the outer surface 3529 of the output ring 3520. The detent pins 3544 engage the first detents 3532 of the spring fingers 3530 during normal operation of the breakaway mechanism 3504, i.e. when torque is being transmitted through the breakaway mechanism 3504.

[00243] However, referring to FIG. 62A, if an overtorque situation occurs, the pins 3536 at the distal ends 3538 of the spring fingers 3530 will pop out of the ring detents 3540 so that the torque will not be transmitted back to the input ring 3518. Additionally, referring to FIG. 62B, the overtorque situation will also cause the alignment markers 3524 to move out of alignment. The user may then realign the alignment markers 3524 to transmit torque through the breakaway mechanism 3504.

[00244] Referring to FIG. 63A, the user may also intentionally disengage the torque transmission by moving the alignment marker 3524 on the detent ring 3522 up to engage the breakaway mechanism 3504 in freeswing. As seen in FIG. 63B, this configuration entirely disengages the spring fingers 3530 from the input ring 3518, thereby allowing the output ring 3520 to rotate freely without driving the upstream components through the input ring 3518. Thus, this embodiment of the breakaway mechanism 3504 is advantageous because it also allows for the user to engage freeswing of the prosthetic arm 10, shown in FIG. 1.

[00245] These break-away mechanisms discussed above are beneficial because they prevent damage to the prosthetic arm apparatus 10 and increase user safety under high loading situations. Additionally, the break-away mechanisms are advantageous in that once the break-away mechanisms break under high loading, they may be reset by the user without the need to see a

prosthetic technician.

[00246] As discussed above, various embodiments of the prosthetic arm 10, shown in FIG. 1, include feedback mechanisms for compliance and position sensing, such as potentiometer 48, shown in FIG. 10. Referring now to FIG. 64, in some embodiments, the prosthetic arm 10, shown in FIG. 1, may include other feedback mechanisms, for example, a magnetic position sensor 1546. In these embodiments, at least one magnetic strip 1548 may be attached about the circumference of an inner surface 1550 of a rotatable drive component 1552. The magnetic strip 1548 includes a plurality of magnets 1554 of known length $L1$ arranged in series, each having a north pole N and a south pole S. Thus, the magnetic strip 1548 generates a magnetic field having a repeating pattern of alternating north poles N and south poles S. The magnetic position sensor 1546 is arranged to detect this magnetic field generated by the magnetic strip 1548. In operation, the rotatable drive component 1552 rotates, which causes the magnetic strip 1548 to rotate, thereby moving the portion of the magnetic strip 1548 being detected by the magnetic position sensor 1546. The magnetic position sensor 1546 detects this change in the magnetic field as the magnetic strip 1548 rotates from each north pole N to each south pole S and vice versa. Since the length $L1$ of each magnet 1554 is known, the detected changes in the magnetic field between each north pole N and/or each south pole S may be converted into the distance of rotational movement of the rotatable drive component 1552. Thus, the change in position of the rotatable drive component 1552 may be detected. The magnetic position sensor 1546 is also advantageous because it does not contact the rotating drive component 1552 and, therefore, will not experience contact wear due to the rotation of the rotatable drive component 1552.

[00247] Referring to FIG. 65, in some embodiments, two magnetic position sensors 1546 may be used to detect the magnetic fields generated by the first magnetic strip 1548 and a second magnetic strip 1556 arranged next to each other around the circumference of the inner surface 1550 of a rotatable drive component 1552. A length $L2$ of each magnet 1558 of the second magnetic strip 1556 is, in some embodiments, different than the length $L1$ of the magnets of the first magnetic strip 1548. This difference in length allows for the magnetic position

sensors 1546 to sense unique combinations of magnetic field values from the first magnetic strip 1548 and the second magnetic strip 1556 over the circumference of the inner surface 1550. Each unique magnetic field value may correspond to a position of the drive component 1552 and, therefore, absolute position of the drive component 1552 may be detected by the two magnetic position sensors 1546.

[00248] In practice, the hand assembly 24, shown in FIG. 1, and particularly, the fingers of the hand assembly 24, i.e. the thumb structure 220, index finger structure 222, middle finger 226, ring finger 228 and pinky finger 230, all shown in FIG. 3, come into contact with objects frequently and, therefore, may be susceptible to wear and damage. Thus, referring to FIG. 66, it may be desirable for the prosthetic hand assembly 1024 to include removable fingers 1560. In this embodiment of the prosthetic hand assembly 1024, the removable fingers 1560 may be removed to allow for easier replacement of damaged fingers 1560 and also, to allow for easily customizable or tailored finger lengths for different user.

[00249] Each removable finger 1560 is driven in substantially the same manner as the fingers of the previously discussed embodiments. However, the removable fingers 1560 pivot about a common finger shaft 1562, rather than the individual pivot axles discussed in connection with FIG. 33. In some embodiments, end caps 1564 cover each end of the common finger shaft 1562 to prevent dirt or other contaminants from getting into the gear trains of the hand assembly 1024 and also to ensure that the common finger shaft 1562 does not become axially displaced unintentionally. In operation, either end cap 1564 may be removed from the hand assembly 1024 and the common finger shaft 1562 may be extracted to free the removable fingers 1560. Each finger 1560 may then be removed and replaced individually, as required.

[00250] As discussed above, the fingers 1560 of the hand assembly 1024 come into contact with objects frequently and are, therefore, susceptible to wear. Thus, referring to FIG. 67, some embodiments of the present invention may include a cosmesis 1566 for covering the hand assembly 1024 to reduce wear of the hand assembly 1024 and the fingers 1560, in particular. The cosmesis 1566 may be formed from silicone or a similar material, such as a urethane, to improve

the grip capabilities of the hand assembly 1024 to assist with the various grasping and pinch functions of the hand, thereby, providing additional functionality.

[00251] In use, the cosmesis 1566 may wear more quickly around the fingers 1560 and the thumb structure 1220. Therefore, in some embodiments the cosmesis 1566 may separate into two or more sections to allow high wear areas to be replaced more frequently than low wear areas. For instance, referring to FIG. 68A, in some embodiments, the cosmesis 2566 includes a separate palm section 2568 covering the hand support 2218, finger sections 2570 covering each finger 2560 and a thumb section 2572 covering the thumb structure 2220. Thus, the finger sections 2570 and thumb section 2572 may each be replaced separately from the palm section 2568. Although shown as having separate finger sections 2570 and thumb section 2572, in various embodiments, the cosmesis 2566 may also include only two sections, for example, the finger sections 2570 and the thumb section 2572 may be combined into one section and the hand support 2218 may be covered by the separate palm section 2568.

[00252] Referring to FIG. 68B, in some embodiments of the present invention, the fingers 3560 may be provided with geometric features 3574, such as slots, in their outer surfaces 3576 that may accept corresponding geometric interlocks 3578 provided on the inner surface 3580 of the cosmesis 3566. This interlocking geometry may resist shear loads on the cosmesis 3566, thereby preventing the cosmesis 3566 from slipping off of the fingers 3560. Additionally, with respect to the hand cosmesis, fine pinch and other functions may require a structural backing at the tips of the fingers 3560 and thumb structure 3220. Therefore, in some embodiments, the geometric features 3574 of the fingers 3560 and thumb structure 3220 may each include a fingernail apparatus 579, shown in FIG. 40. The fingernail apparatus 579, shown in FIG. 40, interacts with the finger and thumb structure cosmesis 3566 to anchor the cosmesis 3566 of the fingers 3560 and thumb structure 3220, thereby mitigating and/or preventing the cosmesis 3566 from rolling over on the tips of the fingers 3560 and thumb structure 3220.

[00253] Referring to FIG. 69, the palm section 1568 of the cosmesis 1566 may also be formed to resist slippage due to shear loads. For instance, a palm side

1582 of the cosmesis 1566 may be formed with a tacky inner surface 1584. In some embodiments, the material of the cosmesis 1566 itself will provide the tacky inner surface 1584, for example, silicone or a urethane material may be naturally tacky. In other embodiments, a tacky surface coating may be applied to the cosmesis to form the tacky inner surface 1584. Thus, as objects being held are pressed against the palm side 1582 of the cosmesis 1566, the tacky inner surface 1584 is pressed against the hand support 218, shown in FIG. 29, thereby resisting slippage. In some embodiments, a back side 1586 of the cosmesis 1566 is formed with a slippery inner surface 1588 to facilitate installation and removal of the cosmesis 1566. For example, the slippery inner surface 1588 may be formed by applying a surface modifying coating to the cosmesis, or applying a surface texture to the cosmesis 1566. For example, to install the cosmesis 1566 onto the hand support 218, shown in FIG. 29, the cosmesis 1566 may be pulled down and away from the palm so that the slippery inner surface 1588 of the back side 1586 slides along the hand support 218, while the tacky inner surface 1584 of the palm side 1582 is pulled away from the hand support 218. Thus, the cosmesis 1566 may be easily slid onto the hand support 218. To remove the cosmesis 1566, the palm side 1582 may again be pulled away from the hand support 218 while the cosmesis 1566 is pulled toward the fingers 1560, thereby allowing the cosmesis 1566 to slide easily off the hand support 218.

[00254] Referring to FIG. 70, in some embodiments, the cosmesis 4566 may include corrugations 4812 having grooves 4814 wherein a thickness of the material forming the cosmesis 4566 is substantially less than the thickness of material of the rest of the cosmesis 4566. The corrugations 4812 and grooves 4814 may advantageously be positioned in locations where the prosthetic arm apparatus 10, shown in FIG. 1, moves and flexes to allow the cosmesis 4566 to flex along with the arm movement without bunching, wrinkling, tearing or the like. Additionally, although the corrugations 4812 are shown only in a wrist area for simplicity, it should be understood by those skilled in the art that the corrugations 4812 may be positioned in other locations where substantial movement is anticipated such as the fingers. In some embodiments, the cosmesis 4566 may also include raised ridges 4816 having a material thickness that is greater than substantially the rest of the cosmesis 4566 to provide improved grip in desired

regions such as at the fingertips of the cosmesis 4566.

[00255] Referring to FIG. 71, in some embodiments, the fingers 1560 may include one or more additional functions. For example, one or more fingers 1560 may include a thermal sensor 1590 disposed thereon to determine the temperature of an object (not shown) brought into contact with the finger 1560. The signal from the sensor 1590 may be transmitted to a controller (not shown) for the prosthetic arm 1010 and displayed to the user as will be discussed in greater detail below. In some embodiments, temperature detection may be provided by forming the cosmesis 1566, or a portion thereof, from a temperature sensitive polymer, such as a polymer with a thermochromic color changing additive therein or thermochromic liquid crystal that allows a variety of colors to be shown as temperature changes, which will change color depending upon the temperature of the cosmesis 1566. For example, the cosmesis 1566 may change from one color to another if a present temperature is exceeded. This temperature sensing functionality may be used to determine the temperature of an object (not shown) in the hand 1024 and to warn the user of a high temperature or low temperature condition to mitigate the threat of burns or other harm.

[00256] Referring to FIG. 72A, another embodiment of the thumb structure 2220 is shown for providing thumb compliance detection. The thumb structure includes a thumb base 2592 and a thumb tip 2594, which are each substantially rigid and are joined together by an elastomeric spring 2596. In some embodiments, the interface between the thumb tip 2594 and the elastomeric spring 2596 includes one or more alignment features 2598 to ensure proper alignment of the thumb tip 2594 with the elastomeric spring 2596. Similarly, the interface between the thumb base 2592 and the elastomeric spring 2596 also includes one or more alignment features 2598 to ensure proper alignment of the thumb base 2592 and the elastomeric spring 2596.

[00257] Referring to FIG. 72B, within the thumb structure 2220, the thumb base 2592 includes a pivotal interface tube 2600 extending upward into a central bore 2602 of the elastomeric spring 2596. A pivot shaft 2604, having a magnet 2606 disposed at its lower end 2608, is arranged with the pivotal interface tube

2600 and extends upwardly therefrom into a central bore 2610 in the thumb tip 2594 of substantially the same diameter as the pivot shaft 2604. Below the pivot shaft 2604 within the thumb base 2592 is arranged a Hall effect sensor 2612 on a sensor bracket 2614. The sensor bracket 2614 includes a wire channel 2616 to facilitate wiring the Hall effect sensor 2612 to the prosthetic control circuits (not shown). Referring to FIG. 72C, in operation, when a load L is applied to the thumb tip 2594 the elastomeric spring 2596 compresses on the side of the thumb structure 2220 opposite the applied load L, allowing the thumb tip 2594 to tilt. The tilt of the thumb tip 2594 causes a corresponding tilt of the pivot shaft 2604 within the pivotal interface tube 2600, thereby displacing the magnet 2606 disposed on the lower end 2608 of the pivot shaft 2604. The Hall effect sensor 2612 detects this displacement of the magnet 2606, which can be correlated to the applied load L on the thumb tip 2594. By detecting the various loads on the thumb structure 2220, the user may ensure that objects are not gripped so hard that they could break and that the thumb is not subjected to loads that could cause failure of the thumb structure 2220.

[00258] Referring to FIG. 73, wherein like numerals represent like elements, another embodiment of the thumb structure 3222 is shown for providing thumb compliance detection. In this embodiment, a helical spring 3597 replaces the elastomeric spring 2596, shown in FIG. 72B, between the thumb base 3592 and the thumb tip 3594. Additionally, a collar 3599 is disposed between the helical spring 3597 and the pivot shaft 3604 with a small clearance between a ball 3605 of the pivot shaft and the collar 3599. As with the previous embodiments, the pivot shaft 3604 has magnet 3606 disposed at its lower end 3608 and extends upwardly therefrom into a central bore 3610 in the thumb tip 3594 and is secured therein. Below the pivot shaft 3604 within the thumb base 3592 is arranged sensor 3612 for detecting movement of the magnet 3606. In operation, when a load L is applied to the thumb tip 3594, the ball 3605 contacts the collar 3599 and the helical spring 3597 compresses on the side of the thumb structure 3222 opposite the applied load L, allowing the thumb tip 3594 to tilt about the center of the ball 3605. The tilt of the thumb tip 3594 causes a corresponding tilt of the pivot shaft 3604, thereby displacing the magnet 3606 disposed on the lower end 3608 of the pivot shaft 3604. The sensor 3612 detects this displacement of the magnet 3606, which can be

correlated to the applied load L on the thumb tip 3594. By detecting the various loads on the thumb structure 3222, the user may advantageously ensure that objects are not gripped so hard that they could break and that the thumb is not subjected to loads that could cause failure of the thumb structure 3222.

[00259] Referring to FIG. 74, in some embodiments, the humeral rotator 1016 may include a yolk 1618, rather than the cantilever mounting interface shown in FIG. 16, for interfacing with the elbow flexion assembly 1018. The yolk 1618, interfaces with a first side 1620 and a second side 1622 of the elbow flexion assembly 1018 to provide increased strength to the interface when compared to the cantilever mounting interface shown in FIG. 16, which only interfaces with one side of the elbow flexion assembly 1018.

[00260] Referring to FIG. 75A, in some embodiments of the present invention, the prosthetic arm 3010 may be provided with a status indicator 3620. In some embodiments the status indicator 3620 may include, but is not limited to, one or more LEDs 3622 arranged on the hand assembly 3024. However, in other embodiments, the one or more LEDs 3622 may be located in various locations. The one or more LEDs 3622 may be configured to communicate a variety of information to the user, including, but not limited to, one or more of the following, battery power level, an operational mode of the prosthetic device, faults, alarms, alerts, messages, and / or the like. Additionally, although shown as one or more LEDs 3622 the status indicator 3620 may, in other embodiments, include a digital display and / or user interface, which may be arranged on the prosthetic device 3010, built into the prosthetic device 3010 and / or may be a separate display unit (for example, as shown in FIG. 75B as 3630), and in some embodiments, may be a unit worn similarly to a wrist watch or bracelet as shown in FIG. 75B as 3630. However, in other embodiments, the unit 3630 may be a portable unit that may be worn or carried near the user, for example, but not limited to, clipped on clothing, belt and / or attached to the user, and / or carried in a pocket either in the user's clothing and / or in a separate bag and / or pack. In some embodiments, the unit 3630 may be a PDA (personal data assistant), smart phone or other electronic device configured to communicate with the prosthetic device 3010 by way of a wireless communications protocol, including,

but not limited to, RF and Bluetooth®.

[00261] Thus, in some embodiments, it may be desirable to include both a separate display unit and one or more LEDs 3622, where, for example, but not limited to, the one or more LEDs 3622 may be used to display one or more critical piece of information to the user, while the separate display unit, 3630 may provide a greater variety of information in more detail.

[00262] Referring to FIG. 75C, an embodiment of the wrist rotator 4020 having the ACM stack 4128 housed therein is shown. The wrist rotator 4020 includes a housing 4738 having an input interface 4739, such as the elbow interface 170, shown in FIG. 23, and an output interface 4740, such as the wrist flexion assembly interface 172, shown in FIG. 23, at either end thereof. The housing also includes a user interface 4741 formed therein and in communication with the ACM stack 4128. The ACM stack 4128 controls operation of each segment of the prosthetic arm apparatus 10, shown in FIG. 1, including the wrist rotator 4020 and, therefore, integrating the ACM stack 4128 into the wrist rotator 4020 may be advantageous since the wrist rotator 4020 is likely to be present in prosthetic arms for essentially all types of amputees, whereas other segments may not be present, such as in a prosthetic arm apparatus for a transradial amputee.

[00263] The user interface 4741 may include the status indicator 4620 for communicating status information of the prosthetic arm apparatus 10, shown in FIG. 1, from the ACM stack 4128 to the user. The user interface 4741 may also include one or more user inputs 4742, such as buttons, switches, dials or the like for changing and/or customizing the status information that is conveyed from the ACM stack 4128 through the status indicator 4620.

[00264] The status indicator 4620 may include one or more LEDs 4622 configured to communicate the status information from the ACM stack 4128 to the user through illumination of the LEDs 4622. For instance, specific information may be communicated to the user through simple illumination, flashing patterns, color patterns and/or various combinations thereof. The LEDs 4622 may include a battery alert 4744 for alerting the user of a low power condition. Similarly, the

LEDs 4622 may include a system alert 4746 for alerting the user of a system fault condition. The LEDs may include a mode indicator 4748, for example, to indicate whether the prosthetic arm apparatus 10, shown in FIG. 1, is in mode for controlling arm movement or a mode for controlling hand movement. Additionally, the LEDs 4622 may include an array 4750 of LEDs 4622 for providing specific information to the user on the current operational mode of the prosthetic device. For instance, when in a hand control mode, each LED 4622 in the array 4750 may represent a different sub control mode of the prosthetic device 10, shown in FIG. 1, such as different grip movements. In some embodiments, LEDs 4622 may be arranged at multiple locations around the circumference of the wrist rotator 4020 so that at least some of the LEDs 4622 remain visible to the user as the prosthetic arm 10, shown in FIG. 1, moves during operation.

[00265] Preferably, the user interface 4741 is formed from a rubberized material to allow actuation of the one or more user inputs 4742 therethrough and to prevent contaminants such as dirt, dust, water and the like from contacting and damaging the wrist rotator 4020. Additionally, the rubberized material preferably includes one or more translucent portions 4752 in the region of the status indicator 4620 for allowing light from the LEDs 4622 to pass therethrough and may also include one or more symbols printed on the translucent portions 4752 for conveying status information to the user.

[00266] Referring to FIGS. 75D and 75E, as discussed above, the wrist rotator 4020 having the ACM stack 4128 and the user interface 4741 is preferably a modular unit that may connect either to a transradial mount 4754 for a transradial amputee or the elbow flexion assembly 18, shown in FIG. 1, for a transhumeral or shoulder disarticulated amputees. To facilitate the connection, the input interface 4739 includes a captive spanner screw 4756 having male threads, an alignment pin 4758 and one or more torque transmission pins 4760. The transradial mount 4754 (or the elbow flexion assembly 18, shown in FIG. 1) includes female threads for engaging the male threads of the captive spanner screw 4756, a left hand alignment hole 4762, a right hand alignment hole 4764 and one or more torque transmission holes 4766.

[00267] To assemble the wrist rotator 4020 to the transradial mount 4754 or the elbow flexion assembly 18, shown in FIG. 1, power and communication wiring connections are first made between the parts. Then, the alignment pin 4758 of the wrist rotator 4020 is registered in either the left hand alignment hole 4762 or the right hand alignment hole 4764 of the transradial mount 4754 (or the elbow flexion assembly 18, shown in FIG. 1), depending upon whether the prosthetic arm apparatus 10, shown in FIG. 1, is to be a left-handed or right-handed prosthesis, respectively. A spanner wrench may then be used to engage the spanner screw 4756 and thread the male threads of the spanner screw 4756 into the female threads of the transradial mount 4754 (or the elbow flexion assembly 18, shown in FIG. 1). As the male threads engage the female threads, the torque transmission pins 4760 engage the torque transmission holes 4766 until the spanner screw 4756 is fully seated. This connection advantageously provides a universal interface between the wrist rotator 4020 and either the transradial mount 4754 or the elbow flexion assembly 18, shown in FIG. 1. The connection is also advantageously universal for both left-handed and right-handed prosthetic devices. For example, the using the right hand alignment hole 4764 provides for a desired range of motion for a right-handed prosthetic device, such as two hundred seventy degrees (270°). Using the left hand alignment hole 4762 provides a range of motion for a left-handed prosthetic device that is the mirror opposite of the range of motion for the right-handed prosthetic device, for example two hundred seventy degrees (270°) in the opposite direction of rotation. Additionally, when using either the left hand alignment hole 4762 or the right hand alignment hole 4764 in the connection, the user interface 4741 is advantageously maintained in the view of the user.

[00268] Referring back to FIGS. 75A and 75B, in some embodiments of the present invention, the prosthetic arm 3010 may be provided with an emergency switch 3624 which may turn off power to the system and thus engage the various brakes and/or clutches in the prosthetic arm 3010. In some embodiments, the emergency switch 3624 is a chin switch that the user may activate with their chin.

[00269] In some embodiments, another safety mechanism of the prosthetic arm 3010 may include an auto release mechanism 3768 for manually opening a

grip of the prosthetic hand 3024. The auto release mechanism 3768 may be a button, switch or the like located on the back of the prosthetic hand 3024, which, when actuated, causes the prosthetic hand 3024 to open. Preferably, the auto release mechanism 3768 is located under the cosmesis 1566, shown in FIG. 67, and actuated therethrough, to prevent contaminants such as dirt, dust, water and the like from contacting and damaging the auto release mechanism 3768. The auto release mechanism 3768 is electrically coupled to a power source (not shown) of the prosthetic arm 3010, such as a battery, and to motor control circuits, such as the hand control module circuit boards 192, shown in FIG. 25, that control actuation of the motors within the prosthetic hand 3024, such as the two thumb drives 232, the index drive 234 and the MRP drive 236, all shown in FIGS. 31-34. Preferably, the auto release mechanism 3768 is connected to the motor control circuits for the two thumb drives 232, the index drive 234 and the MRP drive 236, all shown in FIGS. 31-34, in parallel to provide redundancy to the auto release mechanism 3768 so that even if one circuit fails, the others will still cause the associated prosthetic fingers to open. In some embodiments, additional redundancy may be provided to the auto release mechanism 3768 by connecting the auto release mechanism 3768 to the motor control circuit boards 192 through at least two switches, with only one switch being required to cause the prosthetic hand 3024 to open.

[00270] In operation, the user may depress the auto release mechanism 3768, which, in turn, actuates the switch or switches on the hand control module circuit boards 192. Actuation of the switch or switches causes power to be supplied from the power source (not shown) to the two thumb drives 232, the index drive 234 and the MRP drive 236, all shown in FIGS. 31-34, through the hand control module circuit boards 192, which causes the prosthetic hand 3024 to open. The speed at which the prosthetic hand 3024 opens may be tuned within the hand control module circuit boards 192 and is preferably less than approximately five (5) seconds. In some embodiments, the speed at which the prosthetic hand 3024 opens may even more preferably be set to less than approximately three (3) seconds. Thus, the user may advantageously actuate the auto release mechanism 3768 to release the grip of the prosthetic hand 3024 if it is closed and/or becomes stuck in hazardous and/or harmful situations; for example, if the grip becomes

stuck around a car door handle, a bus handle, while shaking a child's hand or any other similar situation.

[00271] Although the auto release mechanism 3768 has been described as being electrically coupled to the power source (not shown) of the prosthetic arm 3010 and to the hand control module circuit boards 192, in other embodiments, the auto release mechanism 3768 may include a separate power source (not shown) and/or separate motor control circuits (not shown) located within the prosthetic hand 3024 to provide additional redundancy. Additionally, in other embodiments, the auto release mechanism 3768 may be a mechanical system rather than an electrical system, for example, the auto release mechanism 3768 may be a crank or the like for manually opening the prosthetic hand 3024.

[00272] The prosthetic arm apparatus of the present invention has a variety of benefits over conventional prosthetic devices, such as the modularity of each segment of the prosthetic arm apparatus as discussed above, which allows the formation of customized prosthetic devices for different users. In particular, each segment of the prosthetic arm apparatus 10 contains all of the actuators for that segment so that it may be removed as a separate unit. For instance, the hand assembly includes all of the finger actuators therein, allowing it to be connected and/or removed as a separate unit. Additionally, various degrees of freedom of the hand assembly are particularly beneficial because they allow the formation of various grasps or grips.

[00273] Although the invention has been described in the context of a prosthetic arm, an apparatus according to the elements of this invention could be used in other robotic tools, such as those used in manufacturing and/or teleoperations, where an operator is not connected directly to the controlled device. For example the prosthetic arm apparatus may be used for teleoperation in hazardous environments and/or hazardous activities, for the detonation of explosive devices or the like. In these environments, the prosthetic arm apparatus may provide a more intuitive interface for the user since the user will already be familiar with the natural movements of the arm, which may make control translation of the prosthetic arm apparatus easier.

[00274] While the principles of the invention have been described herein, it is to be understood by those skilled in the art that this description is made only by way of example and not as a limitation as to the scope of the invention. Other embodiments are contemplated within the scope of the present invention in addition to the exemplary embodiments shown and described herein. Modifications and substitutions by one of ordinary skill in the art are considered to be within the scope of the present invention.

What is claimed is:

1. A prosthetic limb segment comprising:
 - a housing defining an exterior of the prosthetic limb segment, the housing having an input interface and an output interface, the output interface and input interface being moveable with respect to one another;
 - a motorized drive disposed within the housing, the motorized drive effecting movement of at least one of the output interface or the input interface;
 - a controller disposed within the housing for controlling actuation of the motorized drive; and
 - at least one antenna in connection with the controller for transmitting and receiving signals, the at least one antenna including the housing of the prosthetic limb segment as a radiating element;wherein the controller is adapted to be in communication with at least a second motorized drive disposed within a second housing defining an exterior of a second prosthetic limb segment to control actuation thereof.
2. The prosthetic limb segment according to claim 1, additionally comprising a user interface integrally formed in the housing and in communication with the controller.
3. The prosthetic limb segment according to claim 2, wherein the user interface includes a status indicator having at least one LED for displaying information from the controller.
4. The prosthetic limb segment according to claim 3, wherein the LED displays a current mode of operation.
5. The prosthetic limb segment according to claim 3, wherein the LED provides a low power alert.

6. The prosthetic limb segment according to claim 3, wherein the LED provides a system failure alert.
7. The prosthetic limb segment according to claim 2, wherein the user interface includes a status indicator having a plurality of LEDs for displaying information from the controller.
8. The prosthetic limb segment according to claim 7, wherein at least a portion of the plurality of LEDs are arranged in an array for displaying operational mode information from the controller.
9. The prosthetic limb segment according to claim 2, wherein the user interface includes at least one input member for providing a signal to the controller.
10. The prosthetic limb segment according to claim 9, wherein the signal causes the controller to alter information being displayed on a status indicator.
11. The prosthetic limb segment according to claim 2, wherein the user interface includes a protective cover.
12. The prosthetic limb segment according to claim 11, wherein at least a portion of the protective cover is flexible to allow actuation of an input member disposed beneath the protective cover.
13. The prosthetic limb segment according to claim 11, wherein at least a portion of the protective cover is translucent to allow light from an LED disposed beneath the protective cover therethrough.
14. The prosthetic limb segment according to claim 1, wherein the housing is

electrically connected to an antenna matching network circuit of the controller and is electrically isolated from a remainder of the controller.

15. A prosthetic limb device comprising:
- a first prosthetic limb segment comprising:
 - a housing defining an exterior of the prosthetic limb segment, the housing having a first input interface and a first output interface, the first output interface and first input interface being moveable with respect to one another;
 - a motorized drive disposed within the housing, the motorized drive effecting movement of at least one of the first output interface or the first input interface with respect to the other of the first output interface or the first input interface;
 - a controller disposed within the housing for controlling actuation of the motorized drive;
 - a user interface integrally formed in the housing and in communication with the controller, the user interface including a status indicator for displaying information from the controller; and
 - a flexible protective cover disposed around a portion of the housing and covering the user interface, the flexible protective cover including a translucent portion over the status indicator;
 - wherein the controller is in communication with at least a second motorized drive disposed within a second housing defining an exterior of a second prosthetic limb segment, the second housing having a second input interface and a second output interface being moveable with respect to one another;
 - wherein one of the second input interface and second output interface is connected to one of the first output interface and first input interface; and
 - wherein the controller controls the second motorized drive to effect movement of at least one of the second output interface or the second input interface with respect to the other of the second output interface or the second

input interface.

16. The prosthetic limb segment according to claim 15, wherein the status indicator is adapted to display at least one of a current mode of operation, a low power alert and a system failure alert.

17. The prosthetic limb device according to claim 15, additionally comprising at least one antenna in connection with the controller for transmitting and receiving signals.

18. The prosthetic limb device according to claim 17, wherein the at least one antenna includes a first chip antenna and a second chip antenna that are offset relative to one another.

19. The prosthetic limb device according to claim 18, wherein the first chip antenna and the second chip antenna are offset approximately 90 degrees relative to one another.

20. The prosthetic limb device according to claim 18, wherein the at least one antenna additionally includes a combiner combining signals received from the first chip antenna and the second chip antenna.

21. The prosthetic limb device according to claim 18, wherein the at least one antenna is provided on a printed circuit board.

22. A prosthetic limb device comprising:
a first prosthetic limb segment comprising:
a housing defining an exterior of the prosthetic limb segment, the housing having an input interface and an output interface, the output interface and input interface being moveable with respect to one another;
a motorized drive disposed within the housing, the motorized drive

effecting movement of at least one of the output interface or the input interface;

a controller disposed within the housing for controlling actuation of the motorized drive; and

at least one antenna in connection with the controller for transmitting and receiving signals, the at least one antenna including the housing of the prosthetic limb segment as a radiating element;

wherein the controller is in communication with at least a second motorized drive disposed within a second housing defining an exterior of a second prosthetic limb segment to control actuation thereof, the second prosthetic limb segment being connected to the output interface or the input interface of the housing of the first prosthetic limb segment.

23. The prosthetic limb segment according to claim 22, additionally comprising a user interface integrally formed in the housing and in communication with the controller;

wherein the user interface includes a status indicator having a plurality of LEDs arranged in an array for displaying information from the controller.

24. The prosthetic limb segment according to claim 23, wherein the user interface includes at least one input member for providing a signal to the controller; and

wherein the information being displayed by the status indicator is altered in dependence upon the signal.

25. The prosthetic limb segment according to claim 22, wherein the housing is electrically connected to an antenna matching network circuit of the controller and is electrically isolated from a remainder of the controller.

McCormick, Paulding & Huber LLP
Title: ARM PROSTHETIC DEVICE
First Named Inventor: Christopher O. Evans
Attorney Docket Number: 7922-0034-1-1WO



1/94

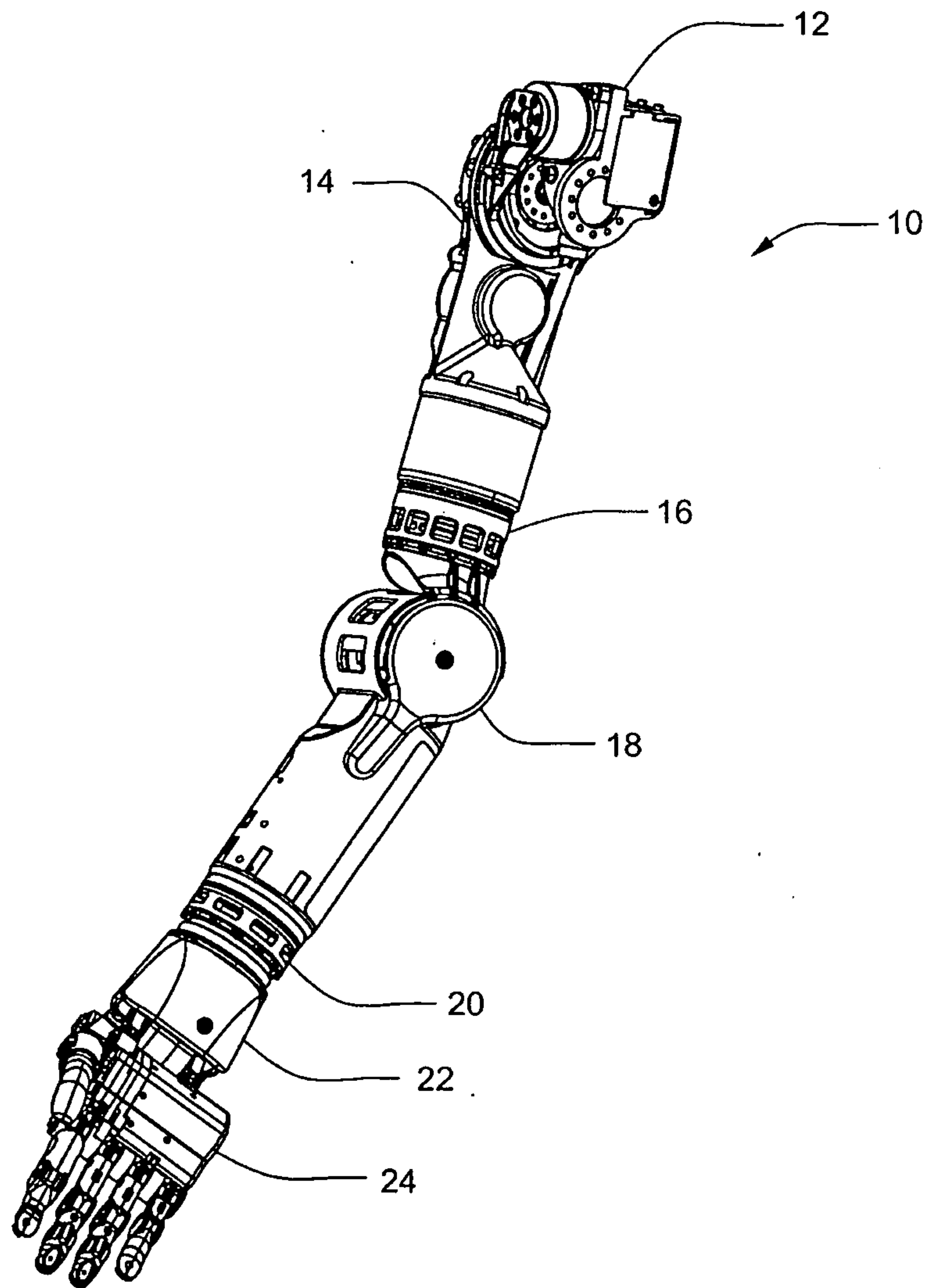


FIG. 1



McCormick, Paulding & Huber LLP
Title: ARM PROSTHETIC DEVICE
First Named Inventor: Christopher O. Evans
Attorney Docket Number: 7922-0034-1-1WO



2/94

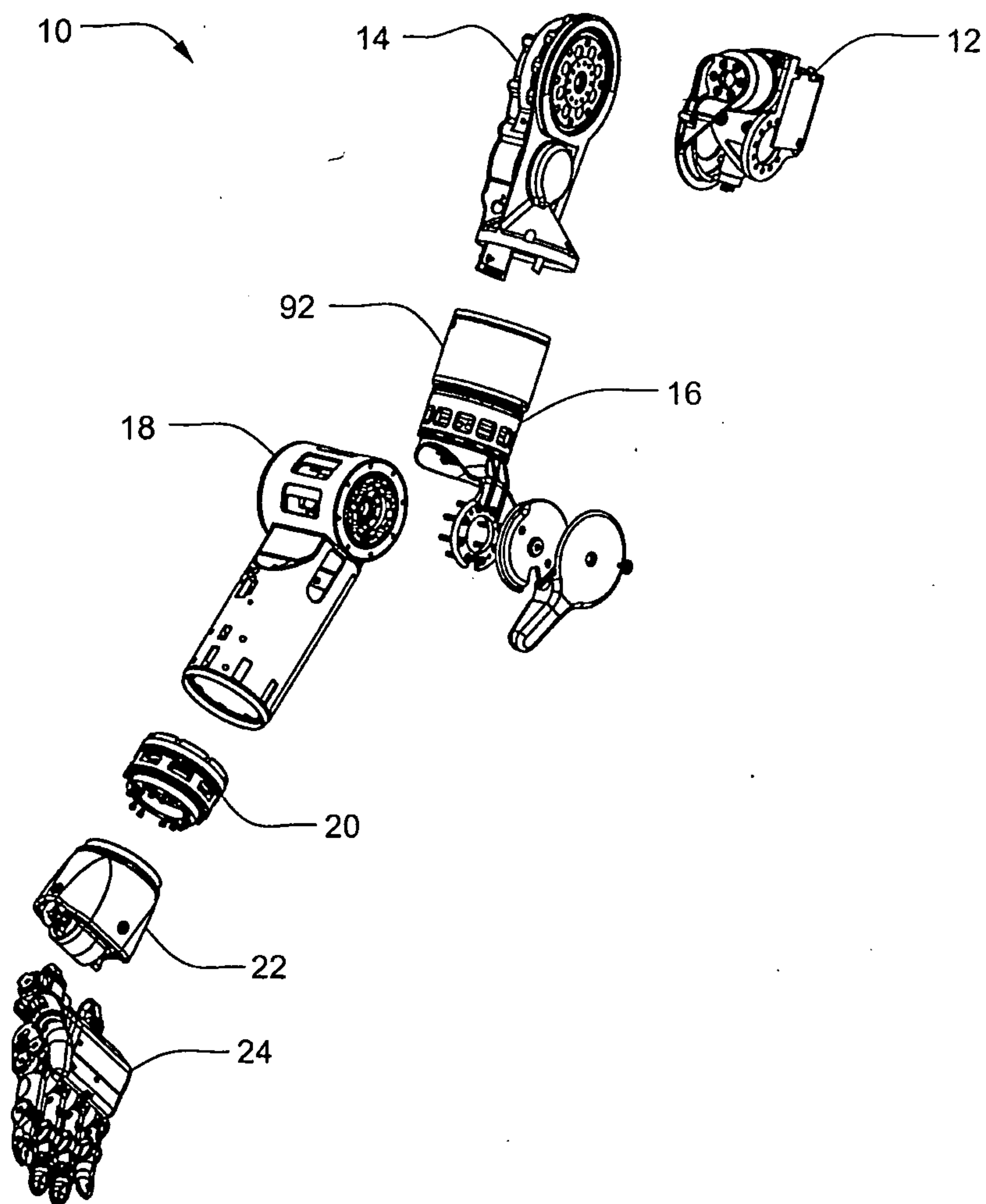


FIG. 2



McCormick, Paulding & Huber LLP
Title: ARM PROSTHETIC DEVICE
First Named Inventor: Christopher O. Evans
Attorney Docket Number: 7922-0034-1-1WO

3/94

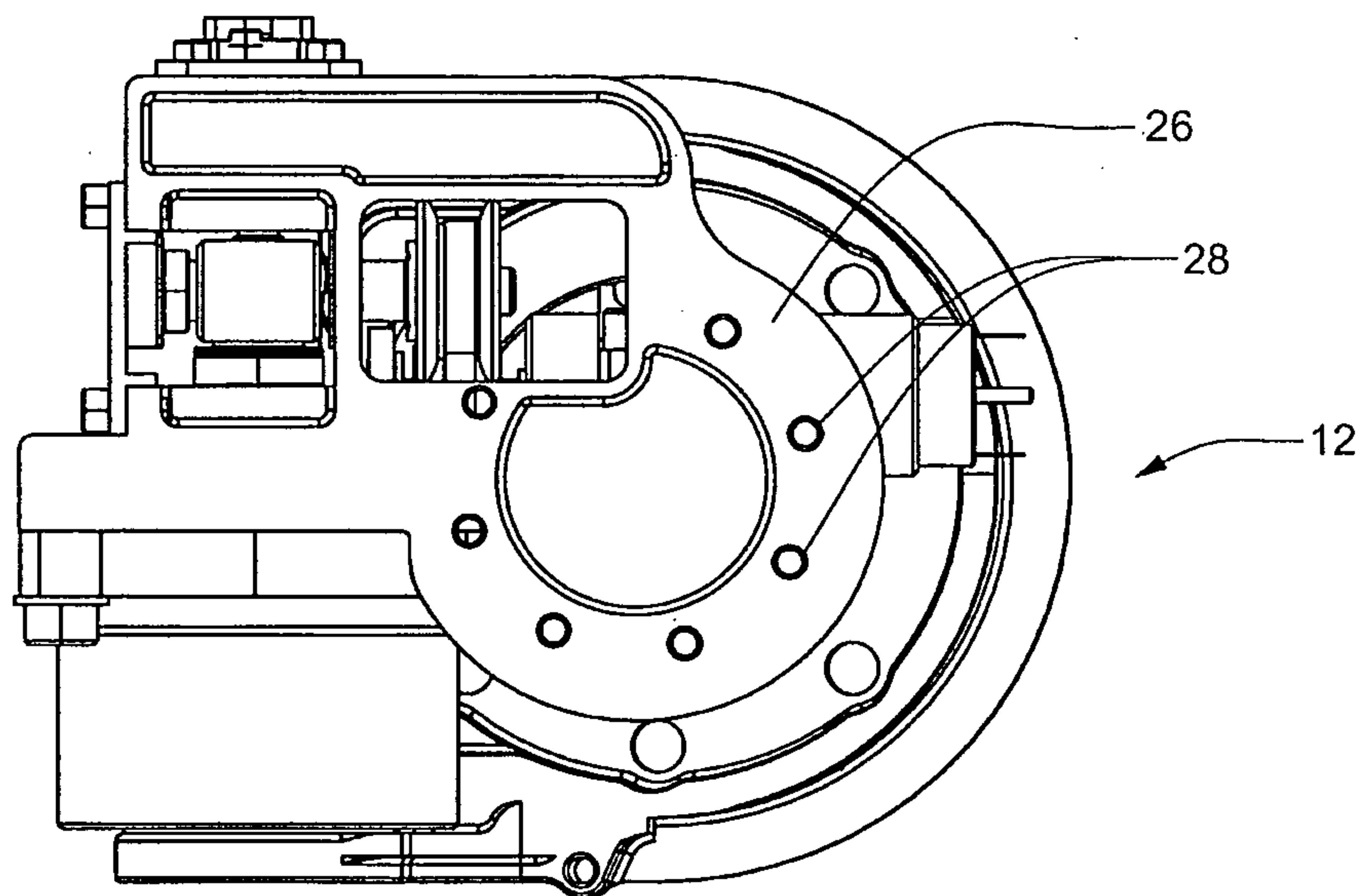


FIG. 3

+

McCormick, Paulding & Huber LLP
Title: ARM PROSTHETIC DEVICE
First Named Inventor: Christopher O. Evans
Attorney Docket Number: 7922-0034-1-1WO
+

4/94

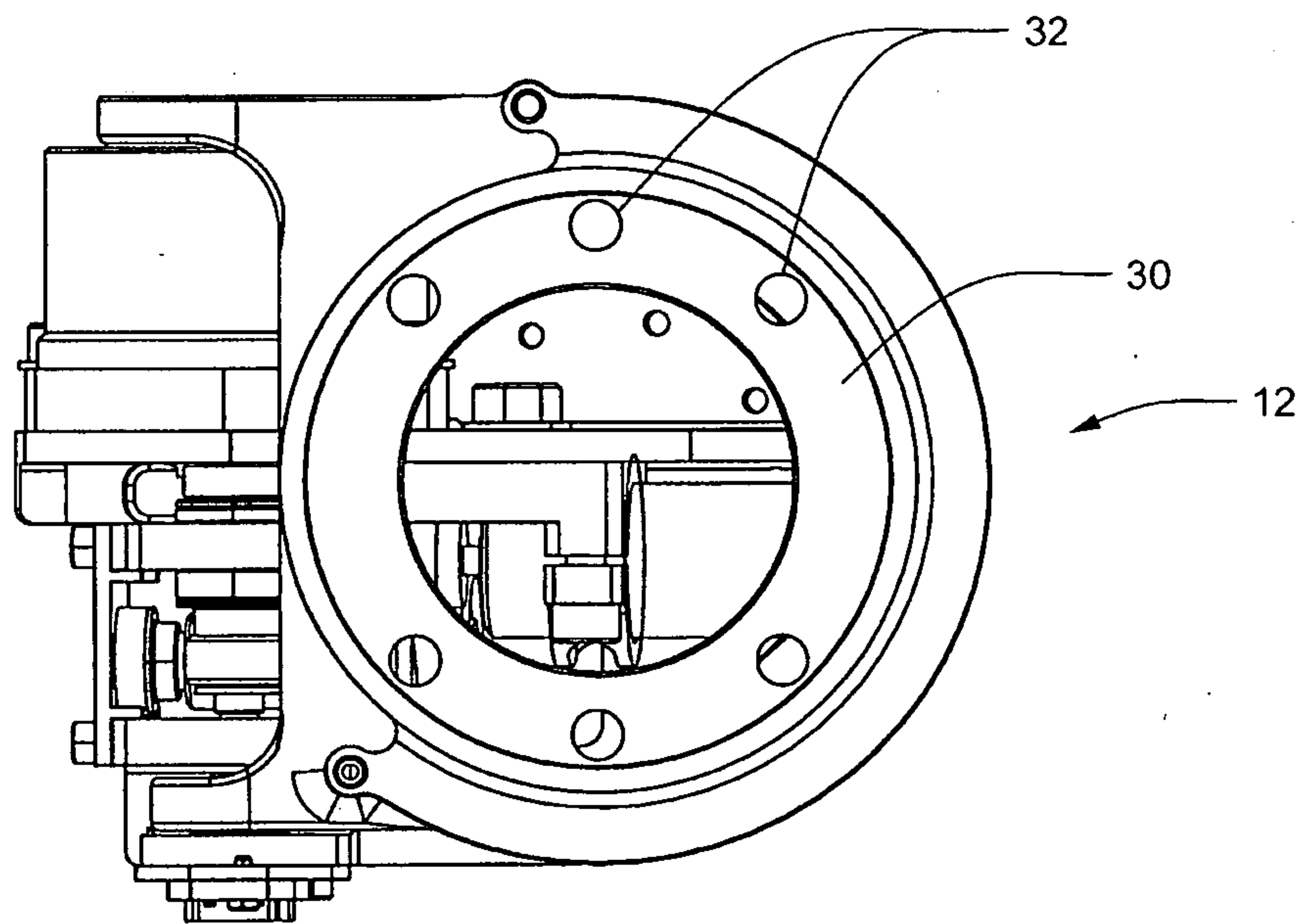


FIG. 4

+

McCormick, Paulding & Huber LLP
Title: ARM PROSTHETIC DEVICE
First Named Inventor: Christopher O. Evans
Attorney Docket Number: 7922-0034-1-1WO

5/94

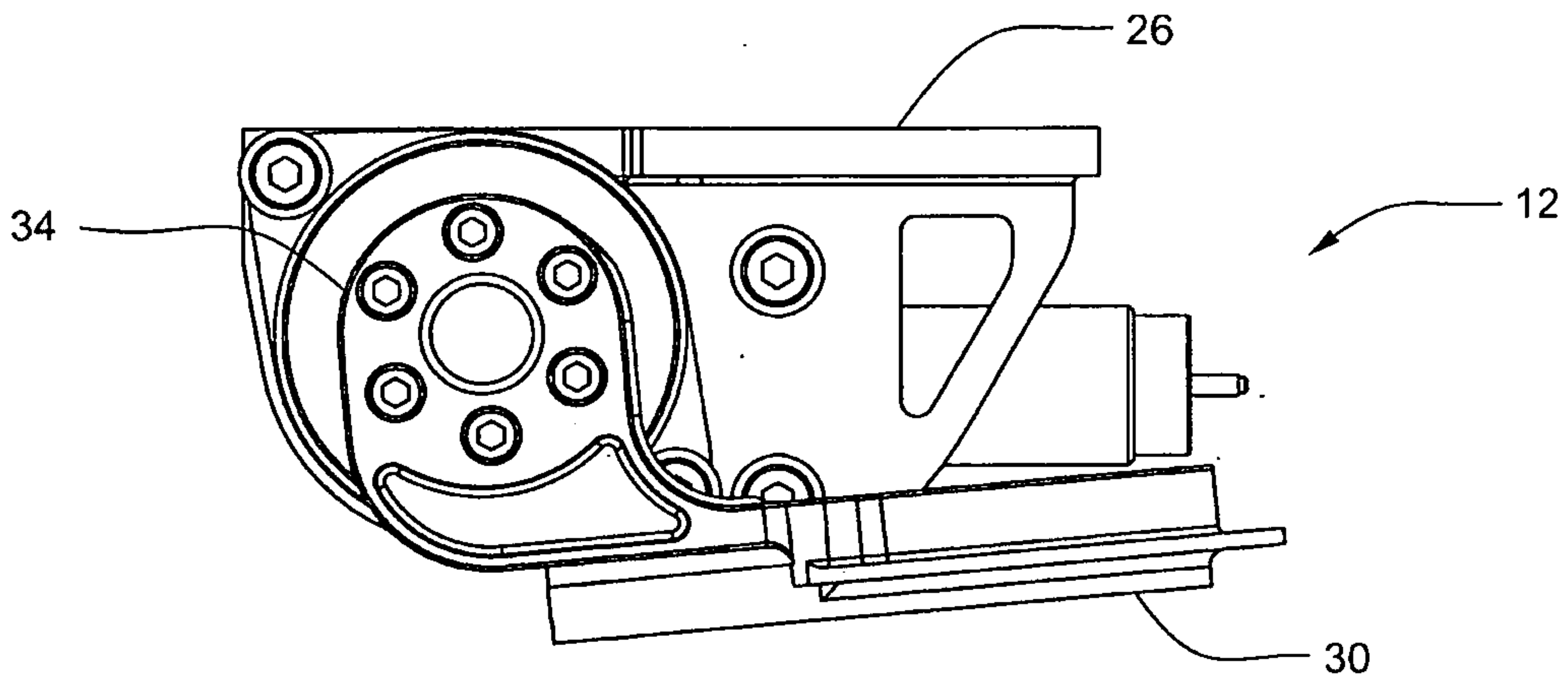


FIG. 5

+

McCormick, Paulding & Huber LLP
Title: ARM PROSTHETIC DEVICE
First Named Inventor: Christopher O. Evans
Attorney Docket Number: 7922-0034-1-1WO



6/94

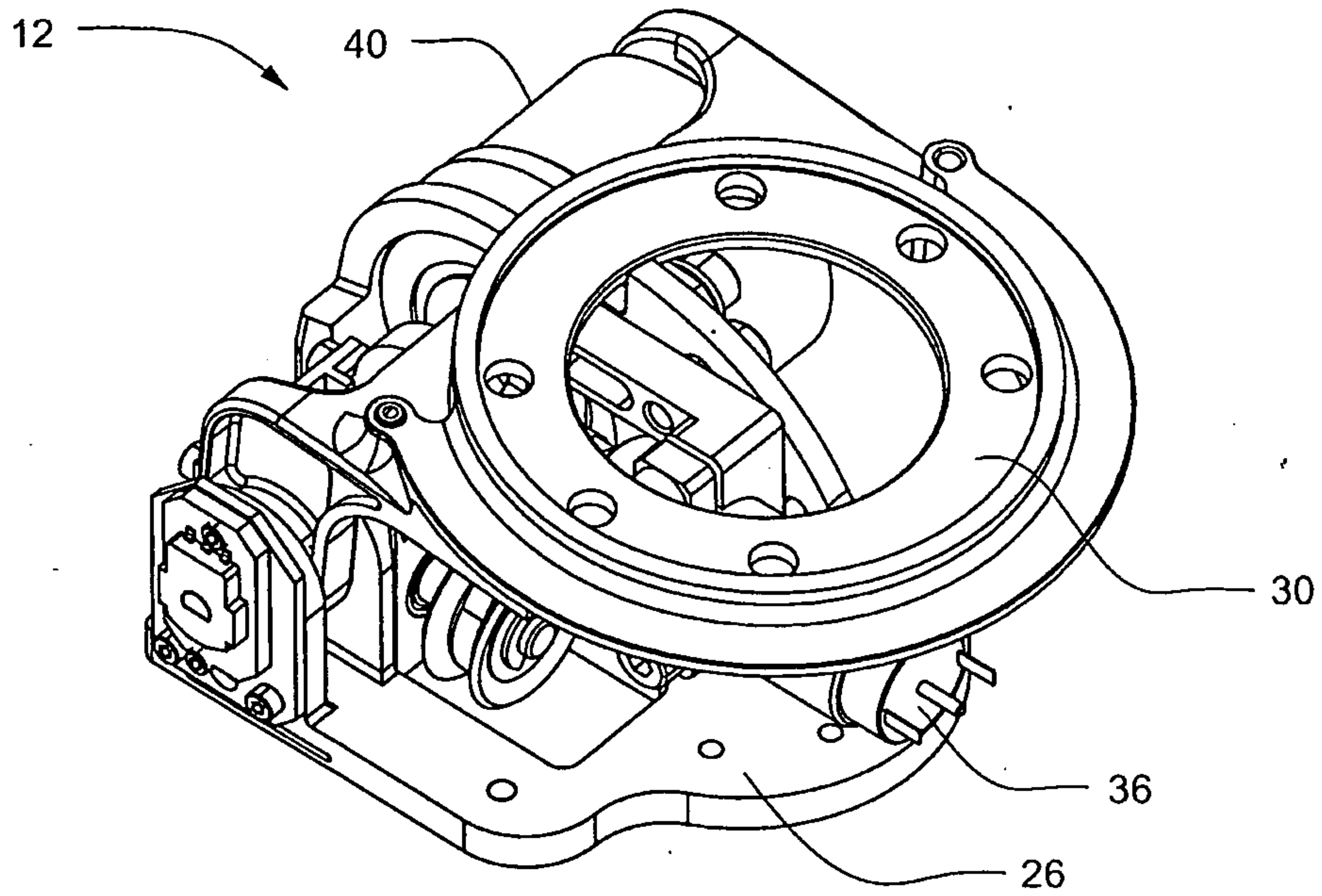


FIG. 6



McCormick, Paulding & Huber LLP
Title: ARM PROSTHETIC DEVICE
First Named Inventor: Christopher O. Evans
Attorney Docket Number: 7922-0034-1-1WO

7/94

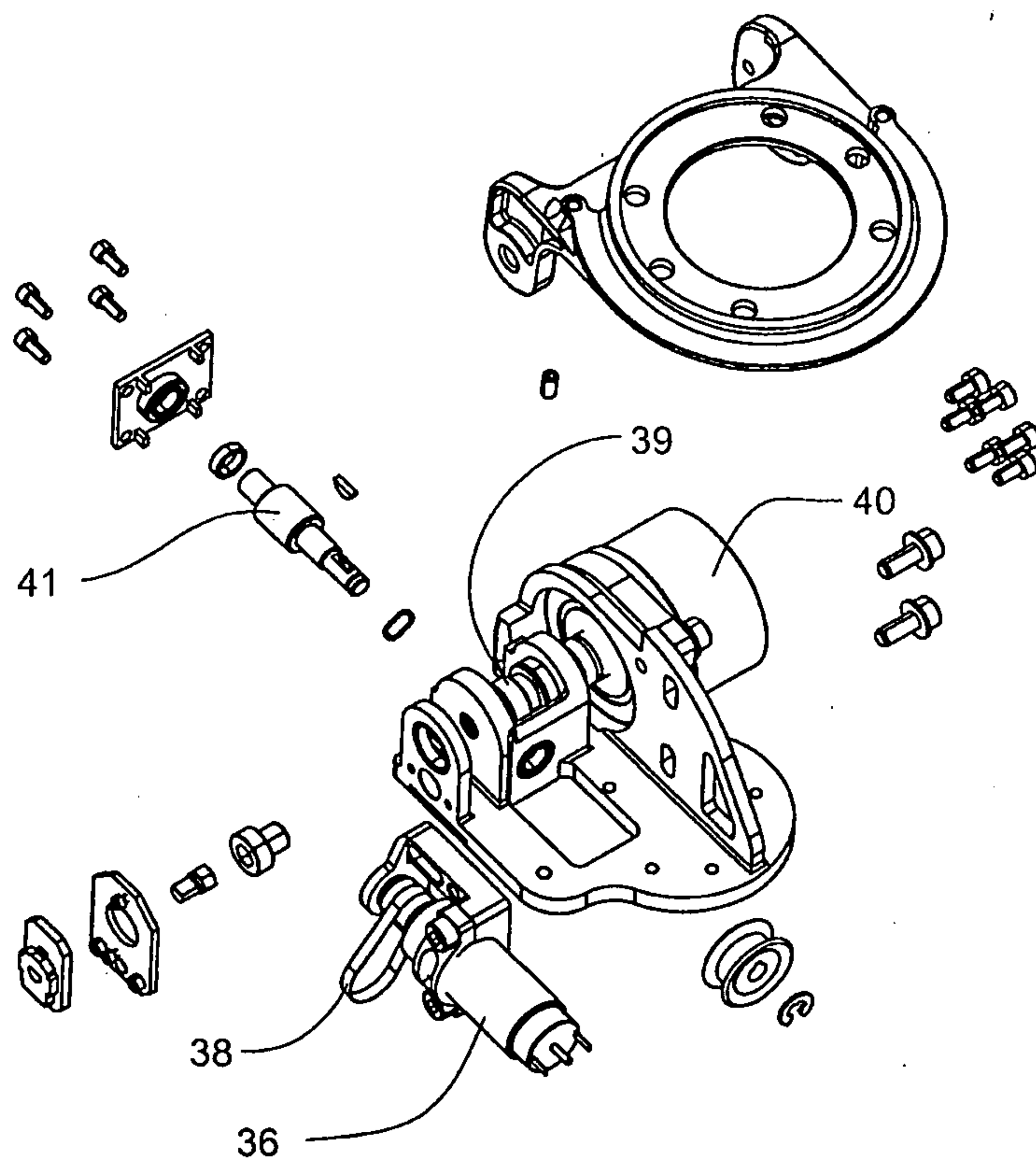


FIG. 7

McCormick, Paulding & Huber LLP
Title: ARM PROSTHETIC DEVICE
First Named Inventor: Christopher O. Evans
Attorney Docket Number: 7922-0034-1-1WO

8/94

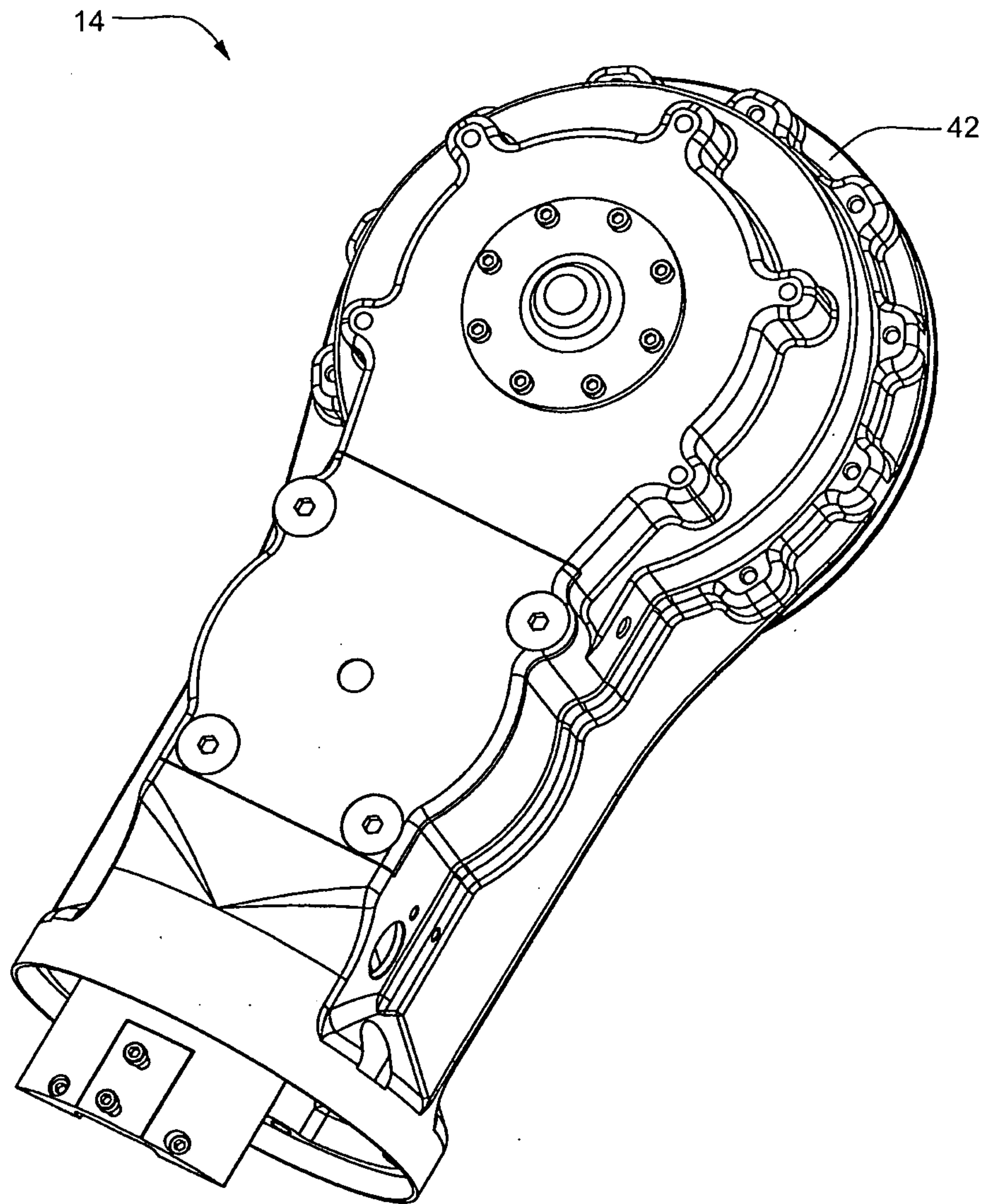


FIG. 8



McCormick, Paulding & Huber LLP
Title: ARM PROSTHETIC DEVICE
First Named Inventor: Christopher O. Evans
Attorney Docket Number: 7922-0034-1-1WO



9/94

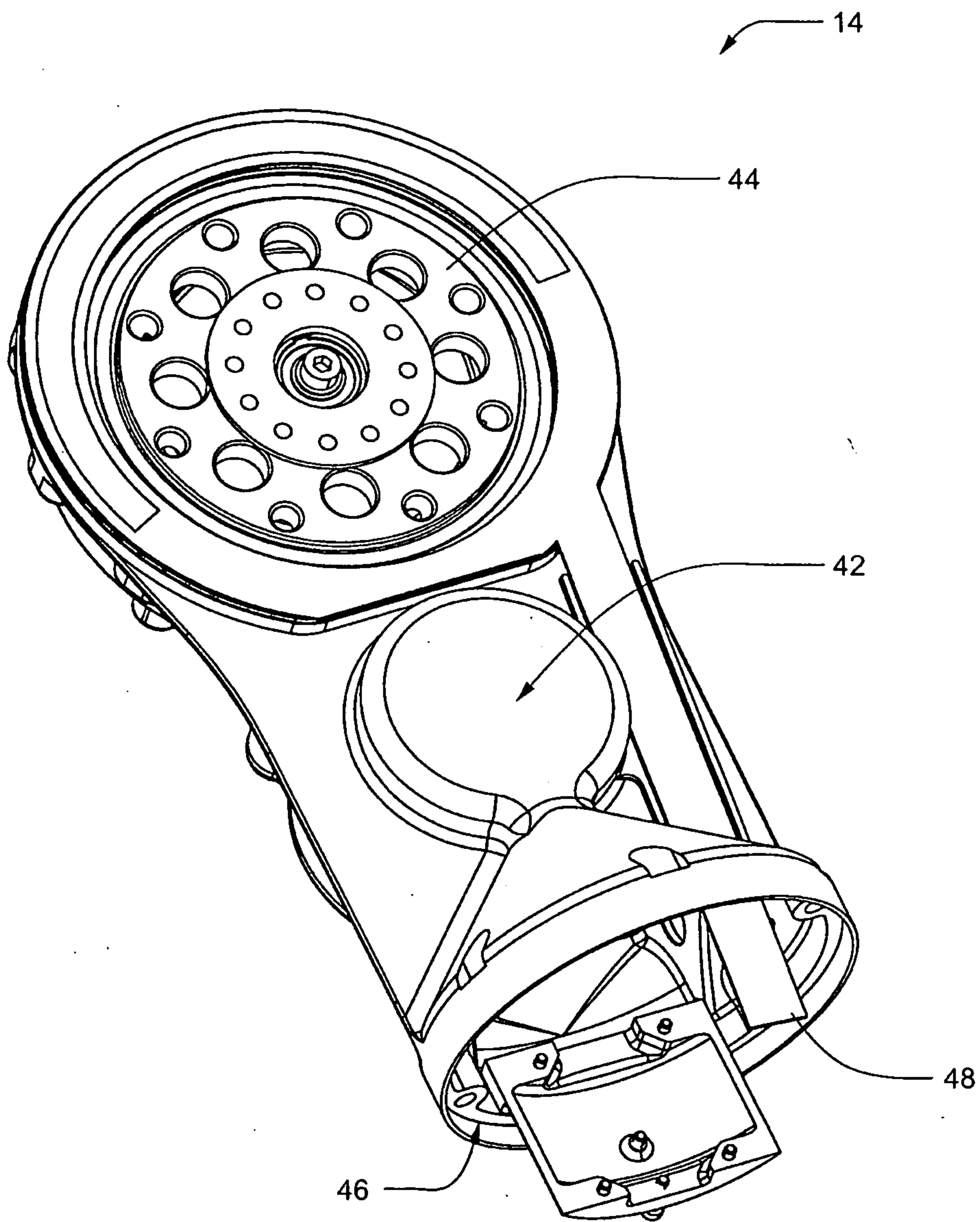


FIG. 9



McCormick, Paulding & Huber LLP
Title: ARM PROSTHETIC DEVICE
First Named Inventor: Christopher O. Evans
Attorney Docket Number: 7922-0034-1-1WO

10/94

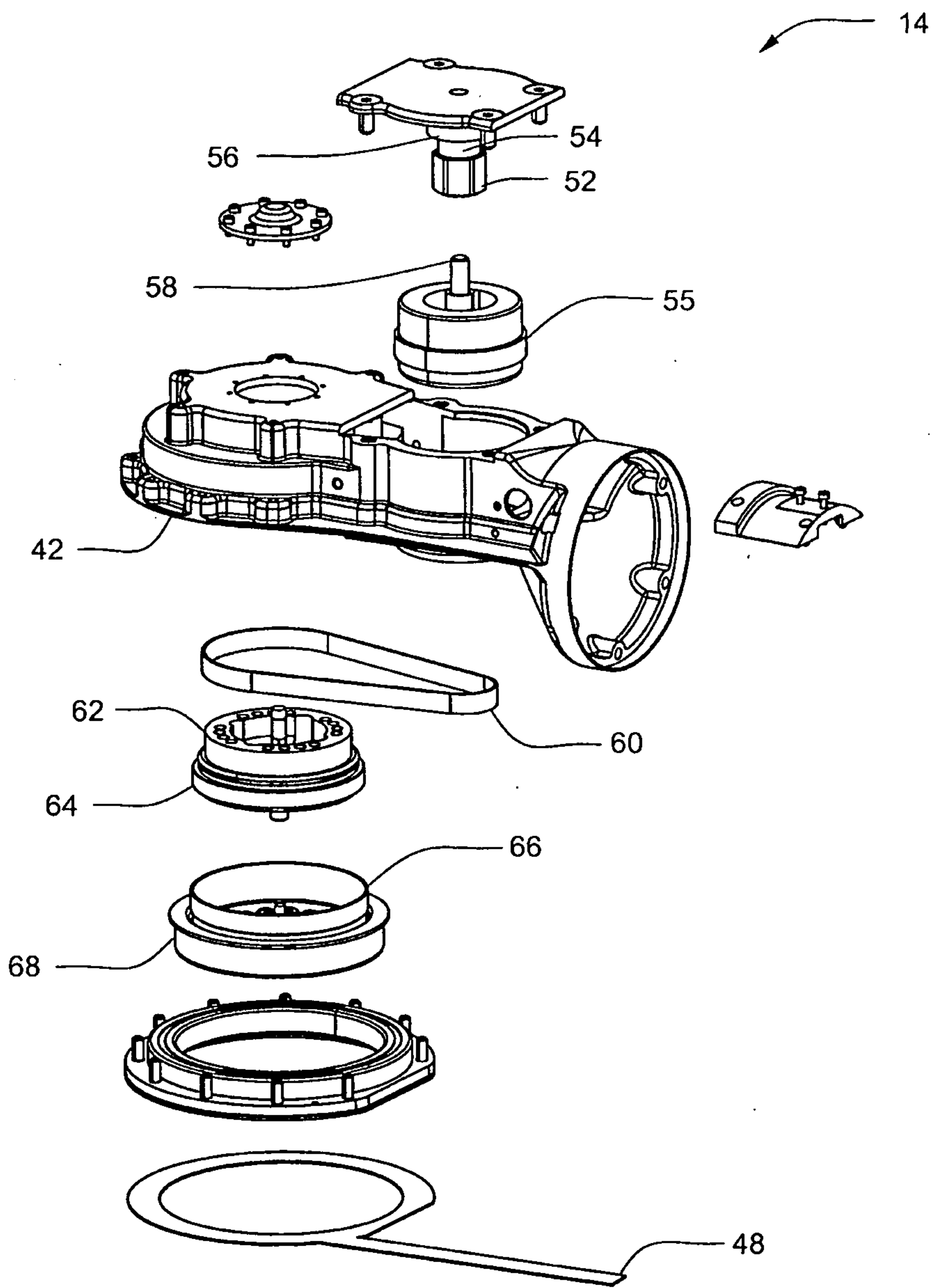


FIG. 10

+

McCormick, Paulding & Huber LLP
Title: ARM PROSTHETIC DEVICE
First Named Inventor: Christopher O. Evans
Attorney Docket Number: 7922-0034-1-1WO

+

11/94

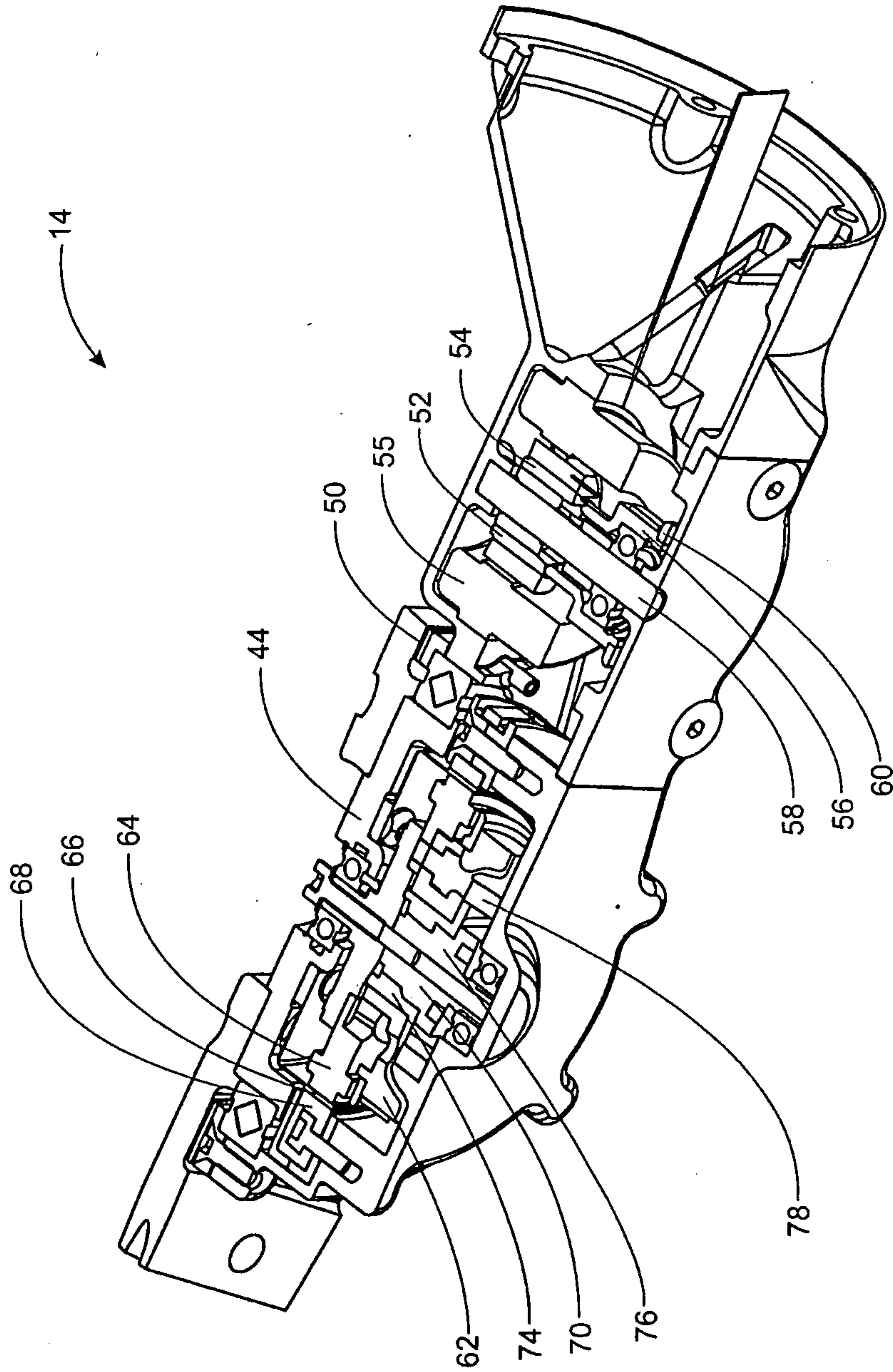


FIG. 11

+

McCormick, Paulding & Huber LLP
Title: ARM PROSTHETIC DEVICE
First Named Inventor: Christopher O. Evans
Attorney Docket Number: 7922-0034-1-1WO

12/94

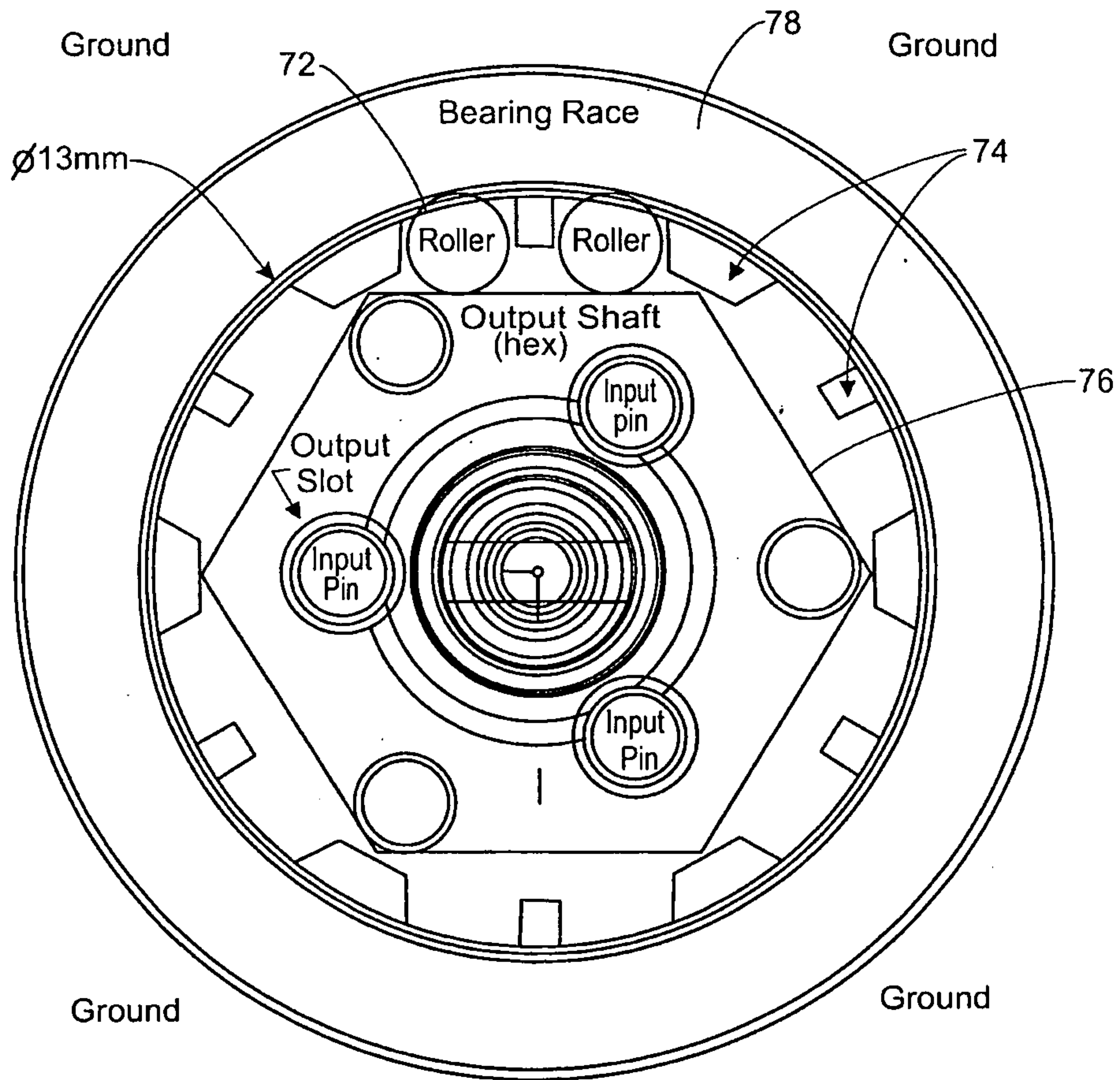


FIG. 12

+

McCormick, Paulding & Huber LLP
Title: ARM PROSTHETIC DEVICE
First Named Inventor: Christopher O. Evans
Attorney Docket Number: 7922-0034-1-1WO

+

13/94

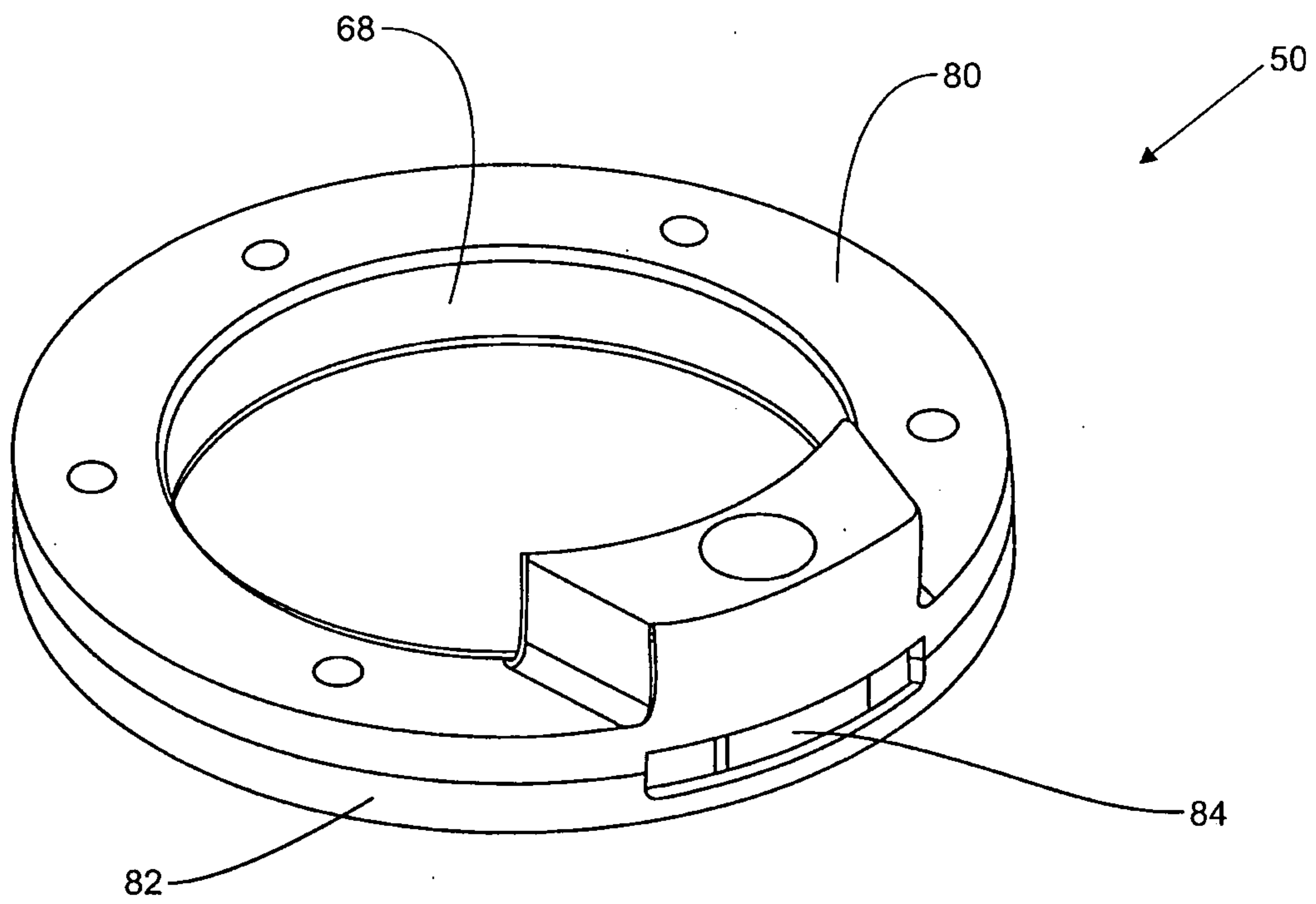


FIG.13

+

McCormick, Paulding & Huber LLP
Title: ARM PROSTHETIC DEVICE
First Named Inventor: Christopher O. Evans
Attorney Docket Number: 7922-0034-1-1WO

+

14/94

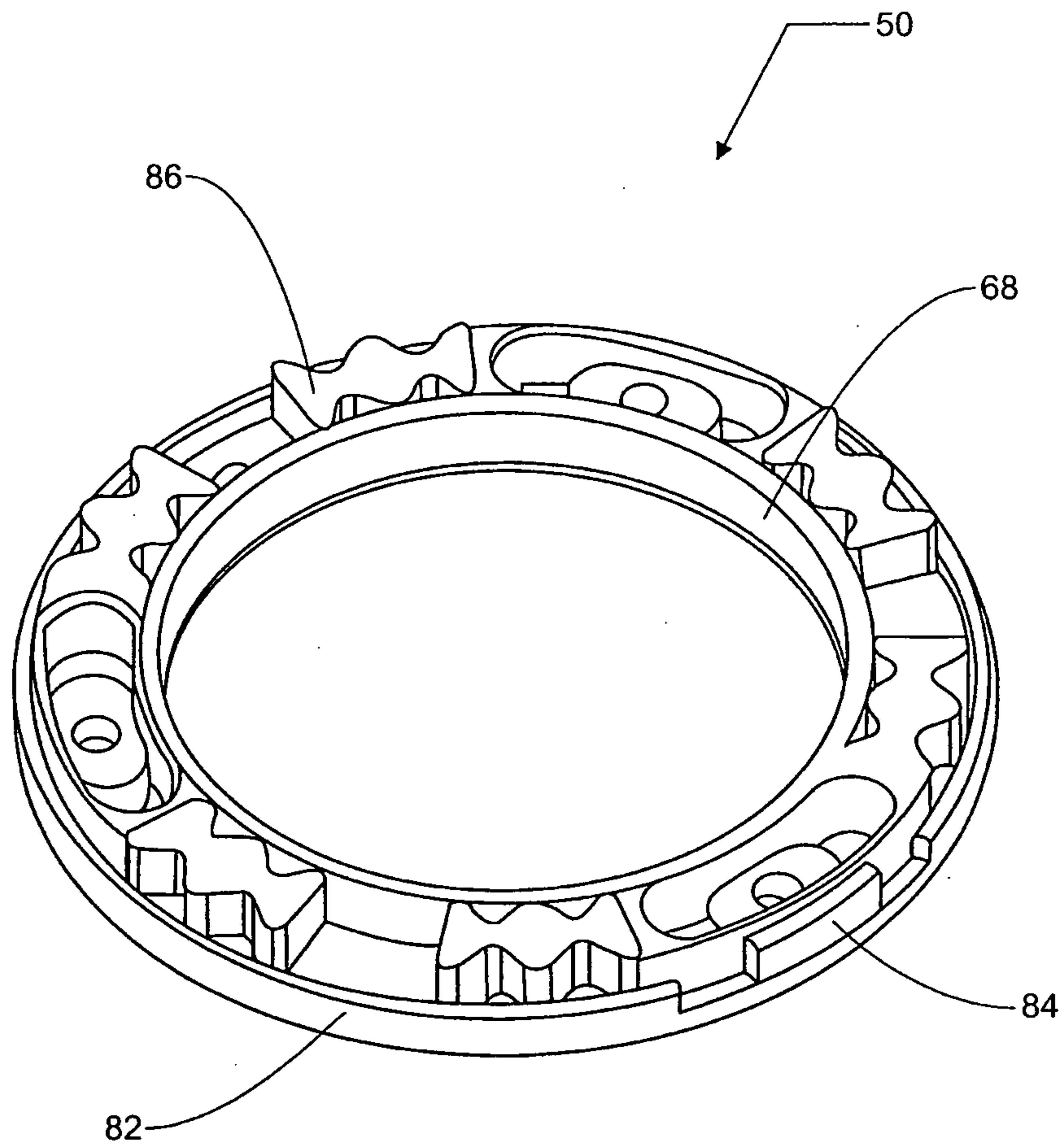


FIG. 14

+

McCormick, Paulding & Huber LLP
Title: ARM PROSTHETIC DEVICE
First Named Inventor: Christopher O. Evans
Attorney Docket Number: 7922-0034-1-1WO

+

15/94

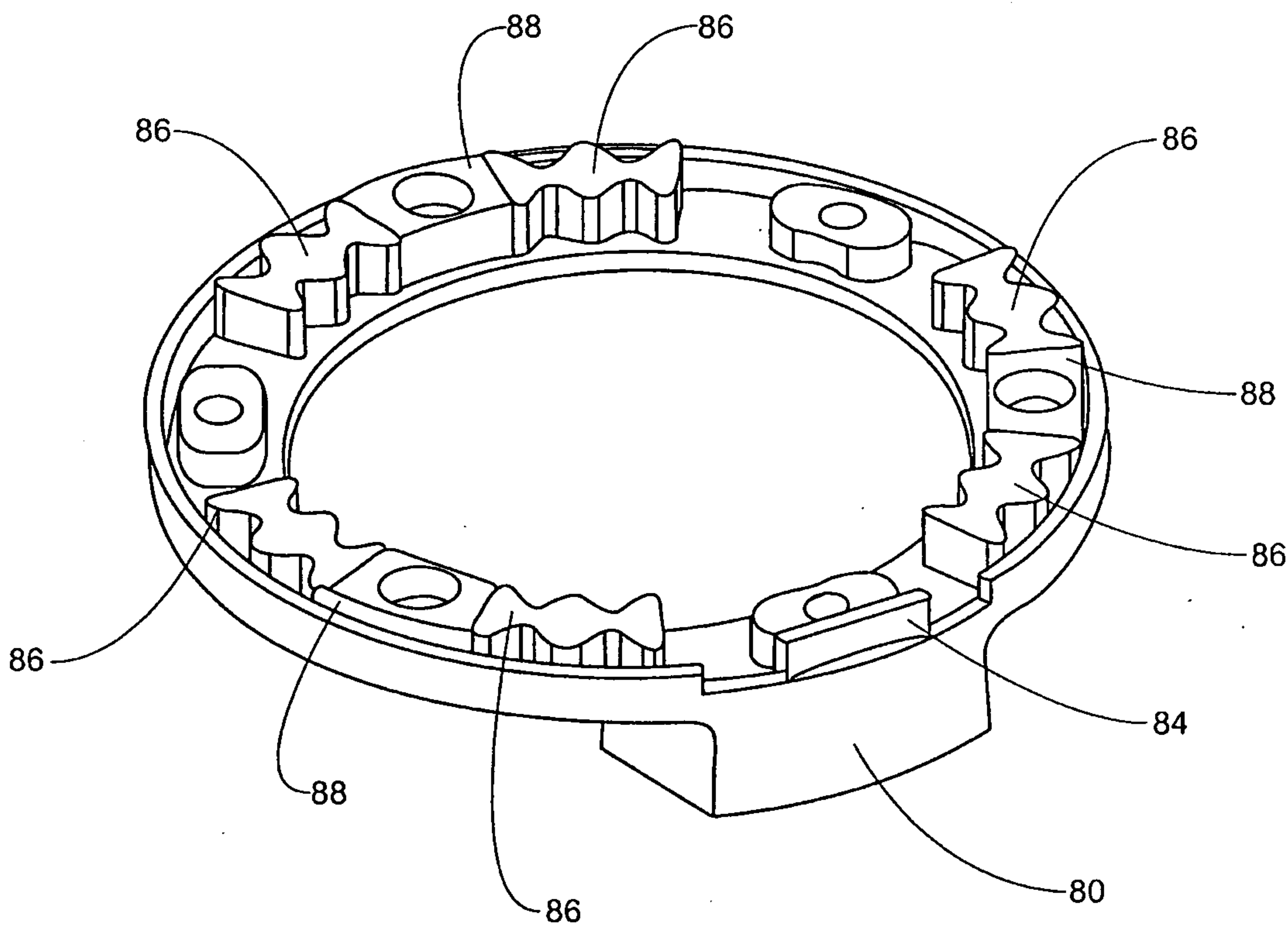


FIG. 15

+

McCormick, Paulding & Huber LLP
Title: ARM PROSTHETIC DEVICE
First Named Inventor: Christopher O. Evans
Attorney Docket Number: 7922-0034-1-1WO

+

16/94

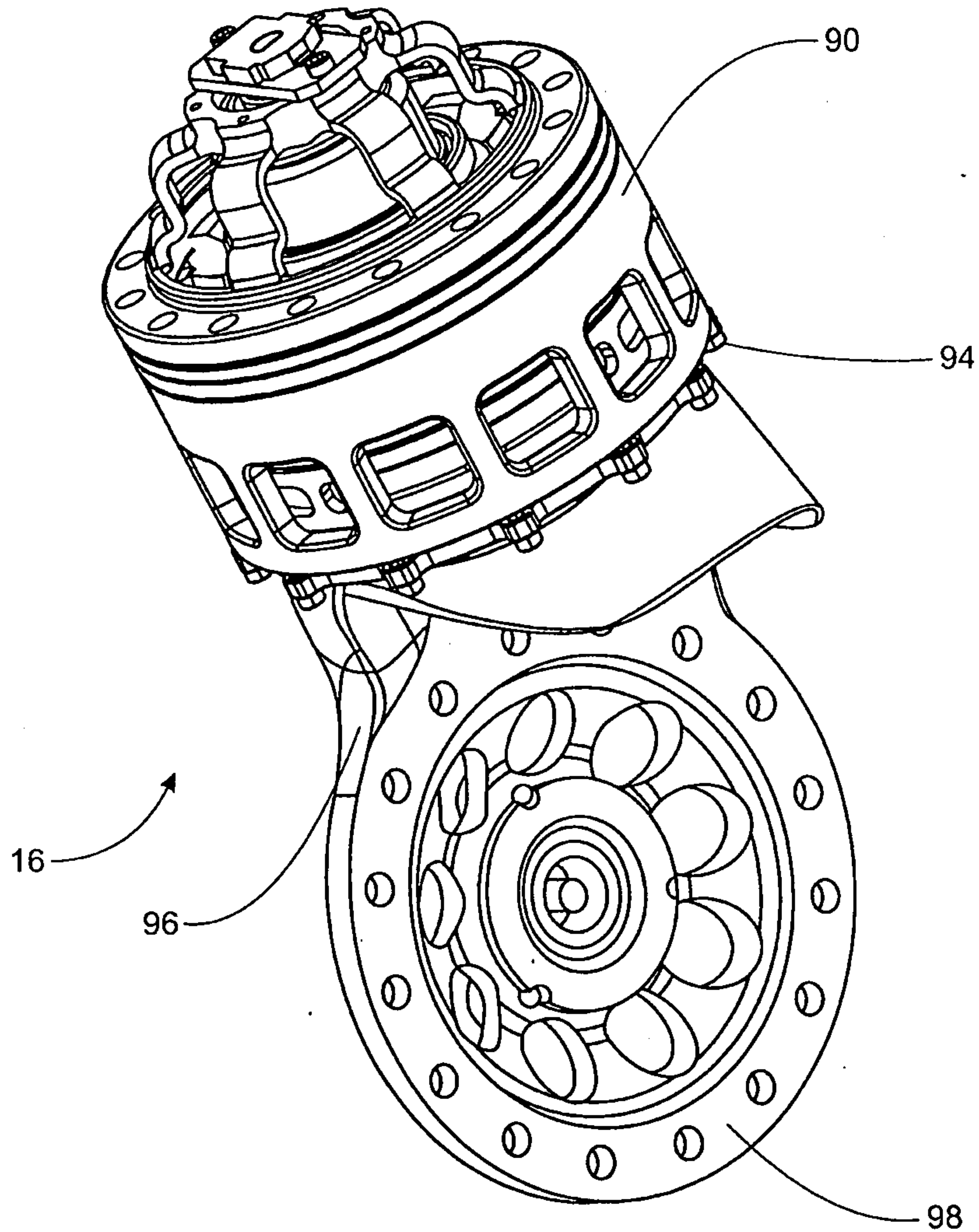


FIG. 16

+

McCormick, Paulding & Huber LLP
Title: ARM PROSTHETIC DEVICE
First Named Inventor: Christopher O. Evans
Attorney Docket Number: 7922-0034-1-1WO

+

17/94

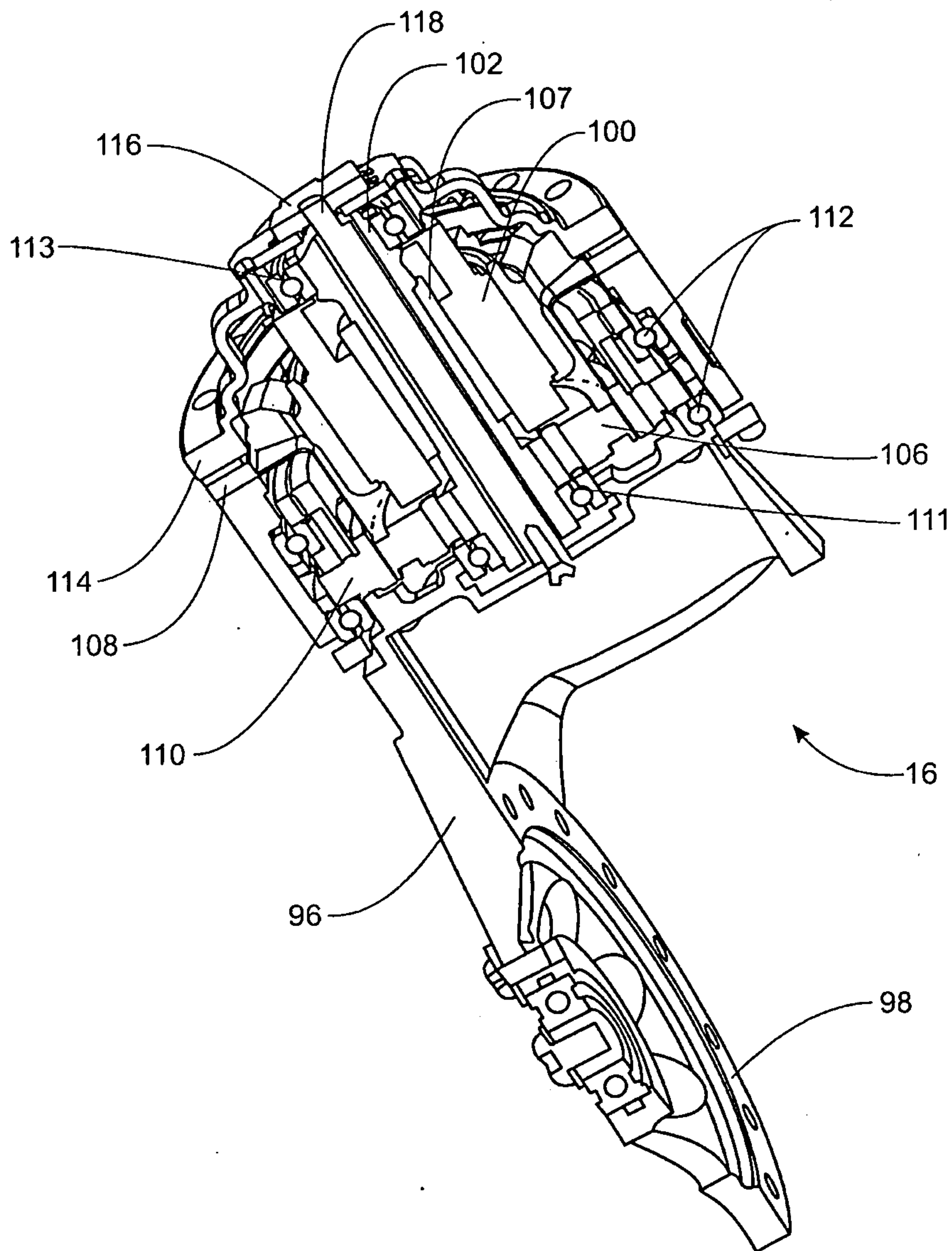
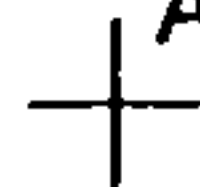


FIG. 17

+

McCormick, Paulding & Huber LLP
Title: ARM PROSTHETIC DEVICE
First Named Inventor: Christopher O. Evans
Attorney Docket Number: 7922-0034-1-1WO



18/94

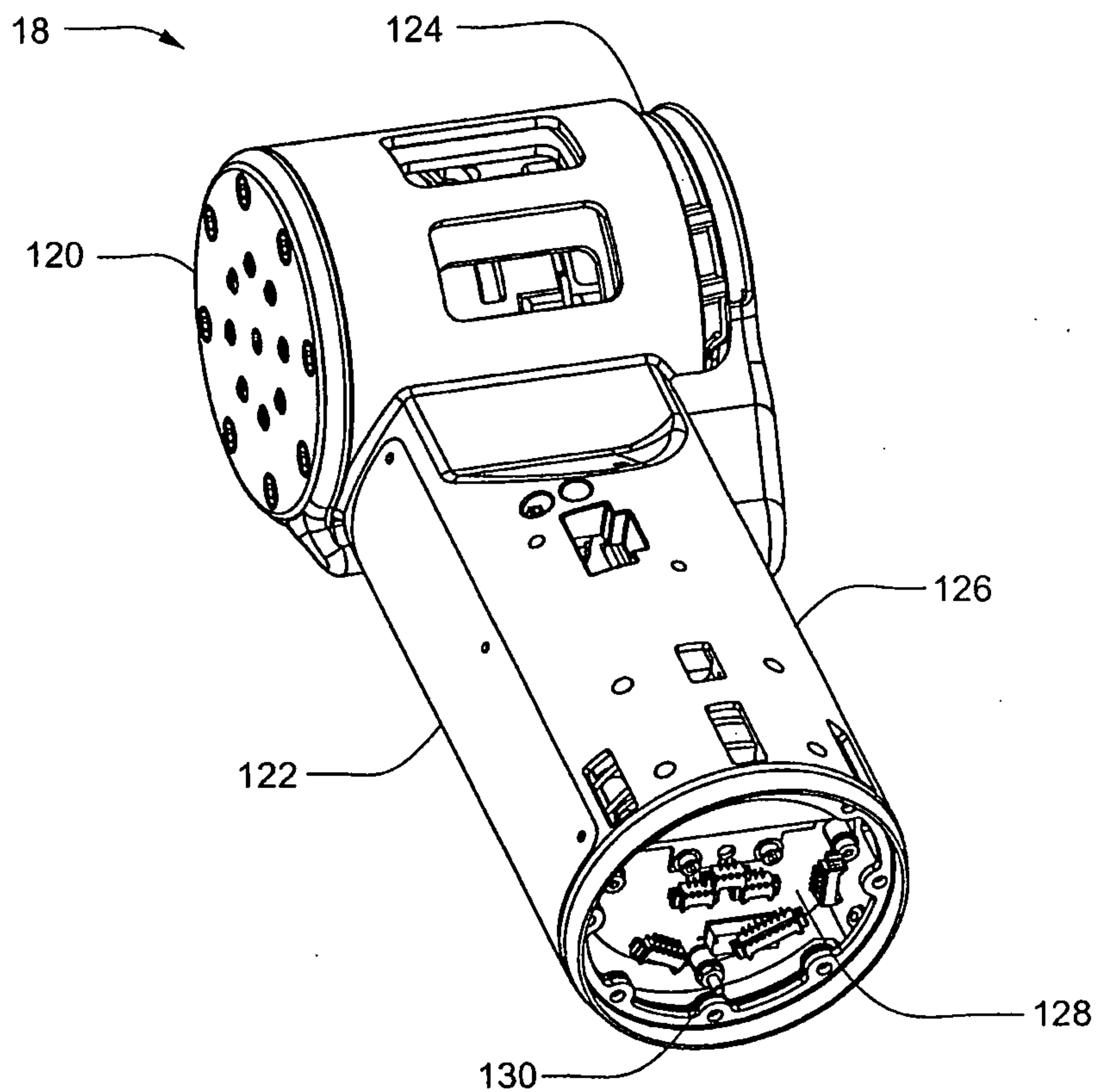


FIG. 18



McCormick, Paulding & Huber LLP
Title: ARM PROSTHETIC DEVICE
First Named Inventor: Christopher O. Evans
Attorney Docket Number: 7922-0034-1-1WO

+

19/94

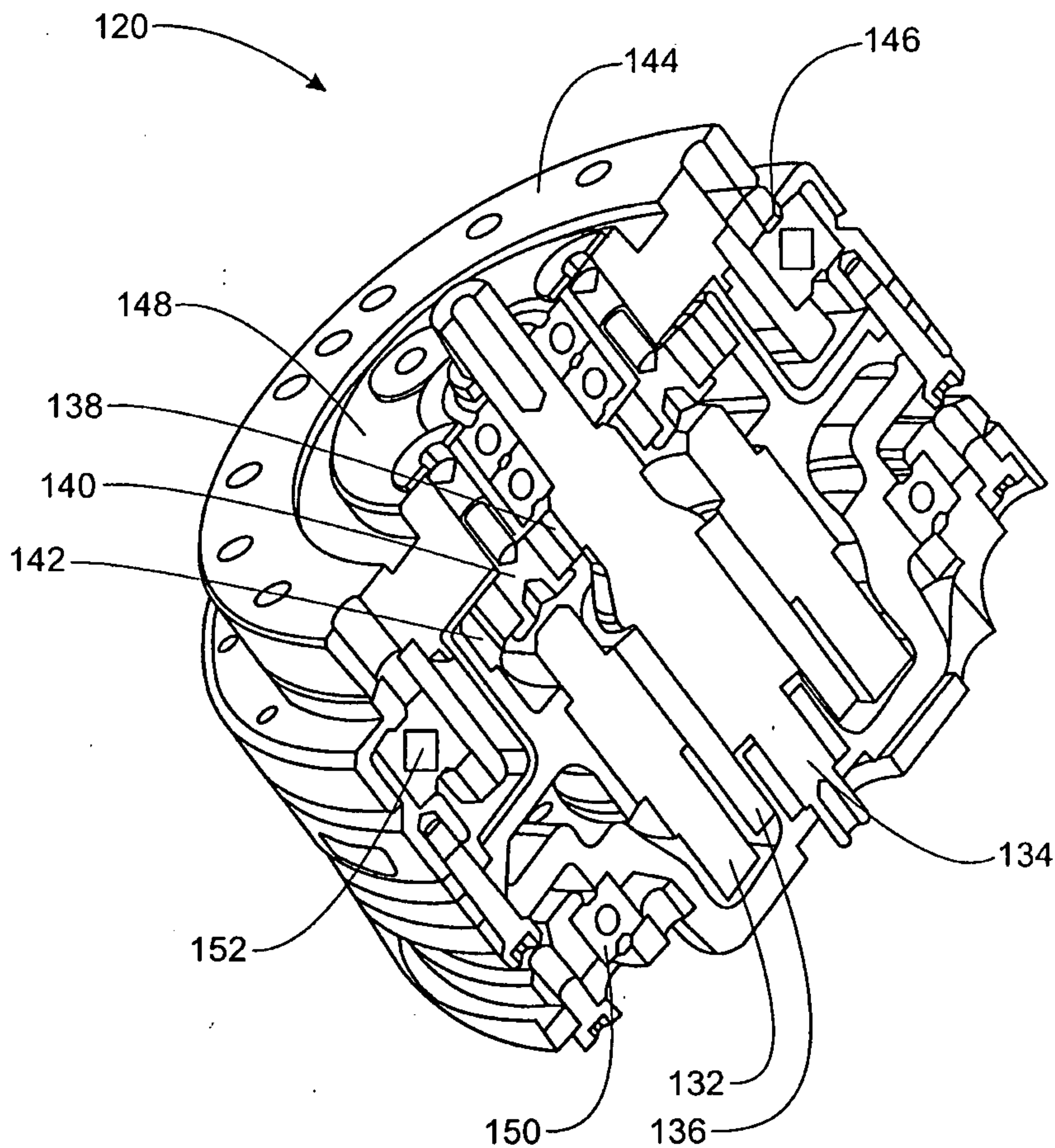


FIG. 19

+

McCormick, Paulding & Huber LLP
Title: ARM PROSTHETIC DEVICE
First Named Inventor: Christopher O. Evans
Attorney Docket Number: 7922-0034-1-1WO

+

20/94

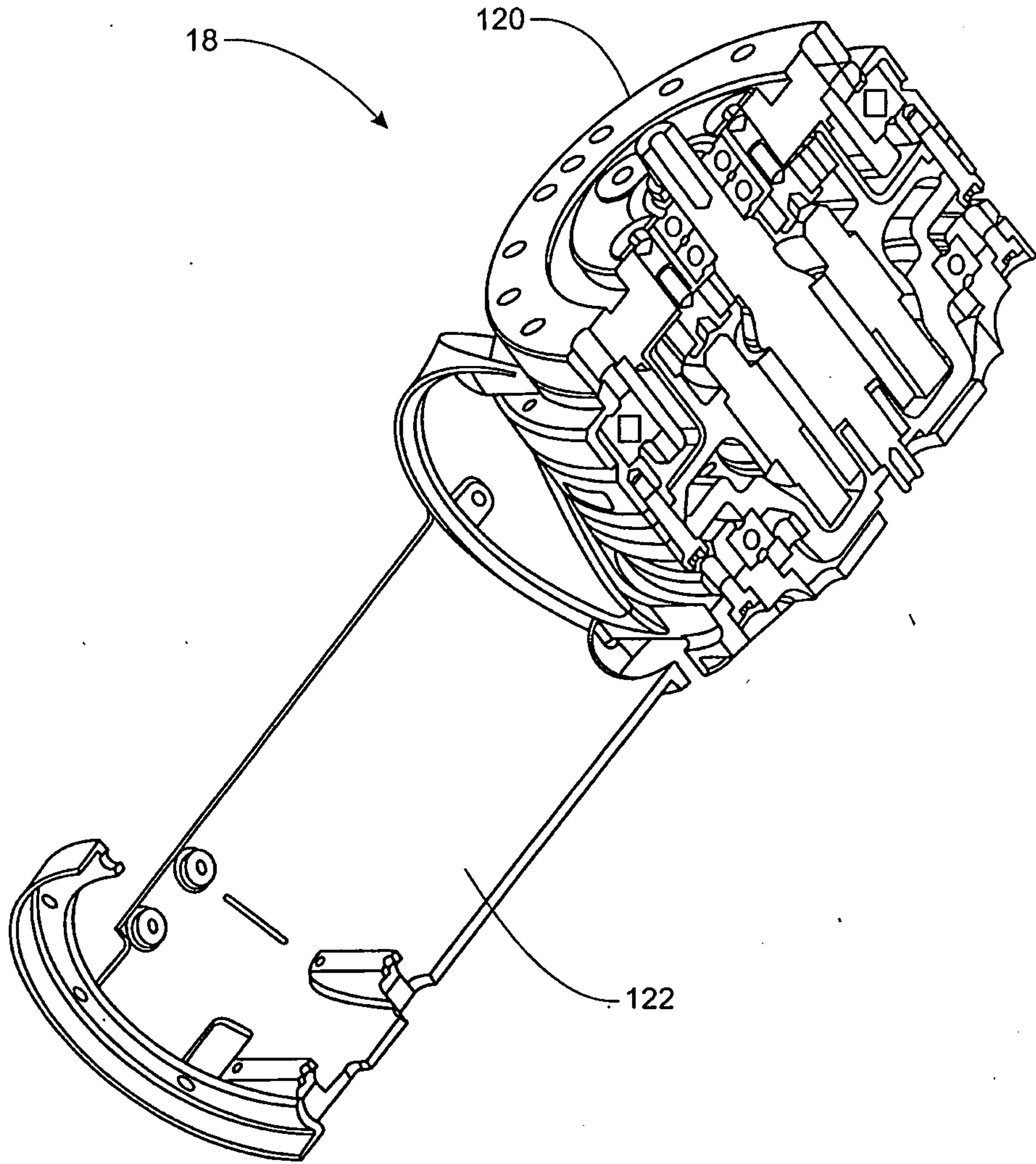


FIG. 20

+

McCormick, Paulding & Huber LLP
Title: ARM PROSTHETIC DEVICE
First Named Inventor: Christopher O. Evans
Attorney Docket Number: 7922-0034-1-1WO

+

21/94

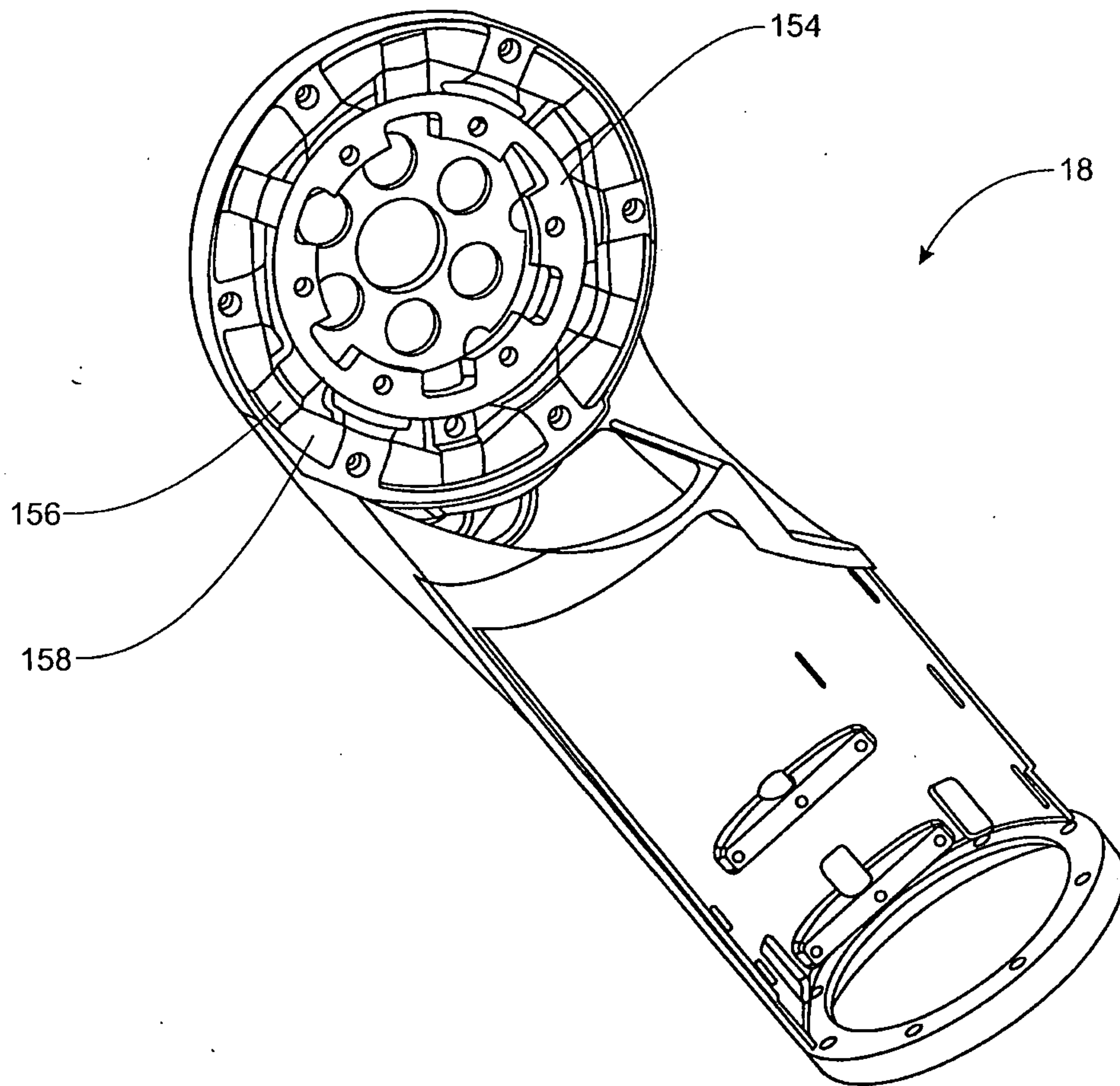


FIG. 21A

+

McCormick, Paulding & Huber LLP
Title: ARM PROSTHETIC DEVICE
First Named Inventor: Christopher O. Evans
Attorney Docket Number: 7922-0034-1-1WO

+

22/94

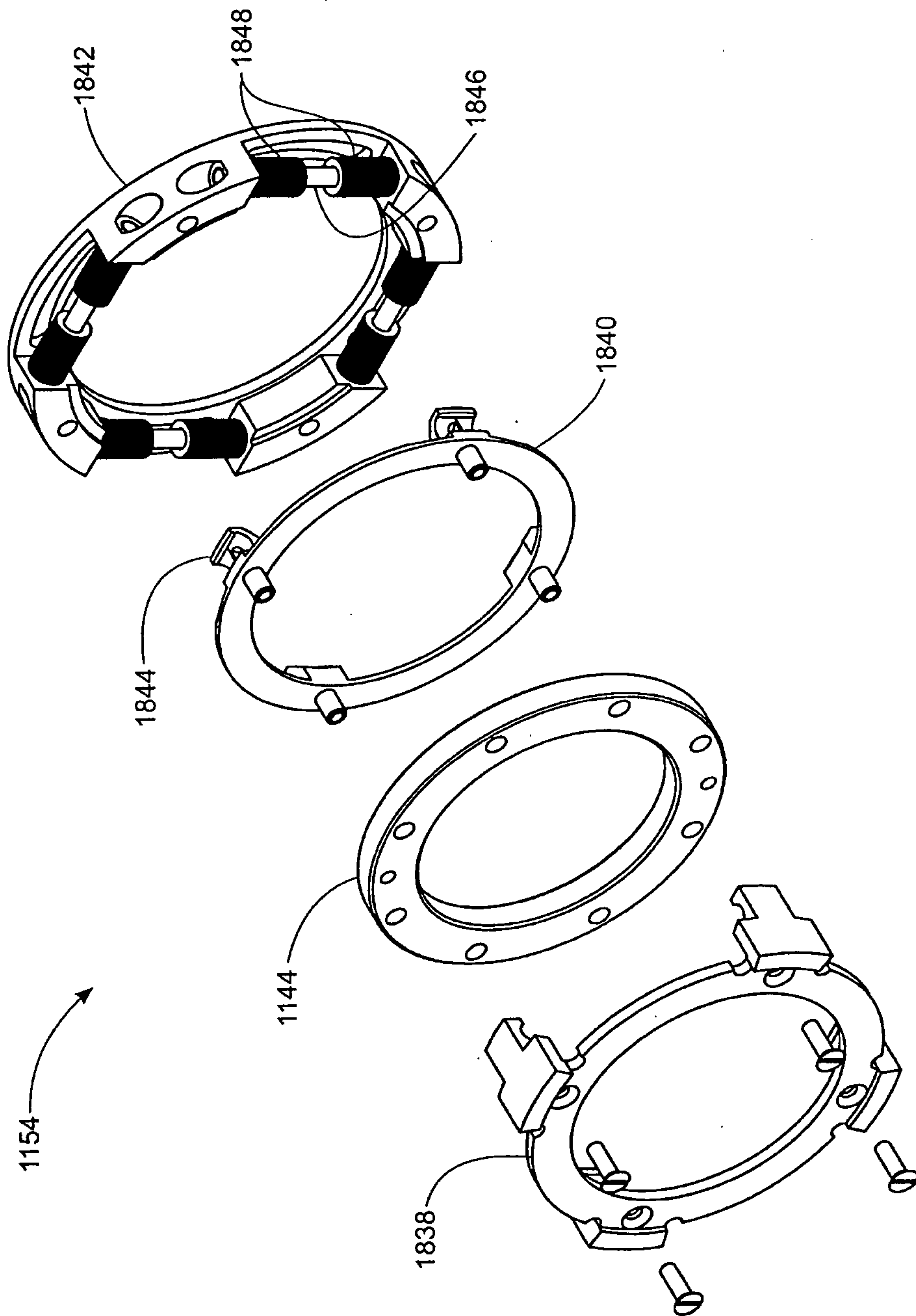


FIG. 21B

+

McCormick, Paulding & Huber LLP
Title: ARM PROSTHETIC DEVICE
First Named Inventor: Christopher O. Evans
Attorney Docket Number: 7922-0034-1-1WO

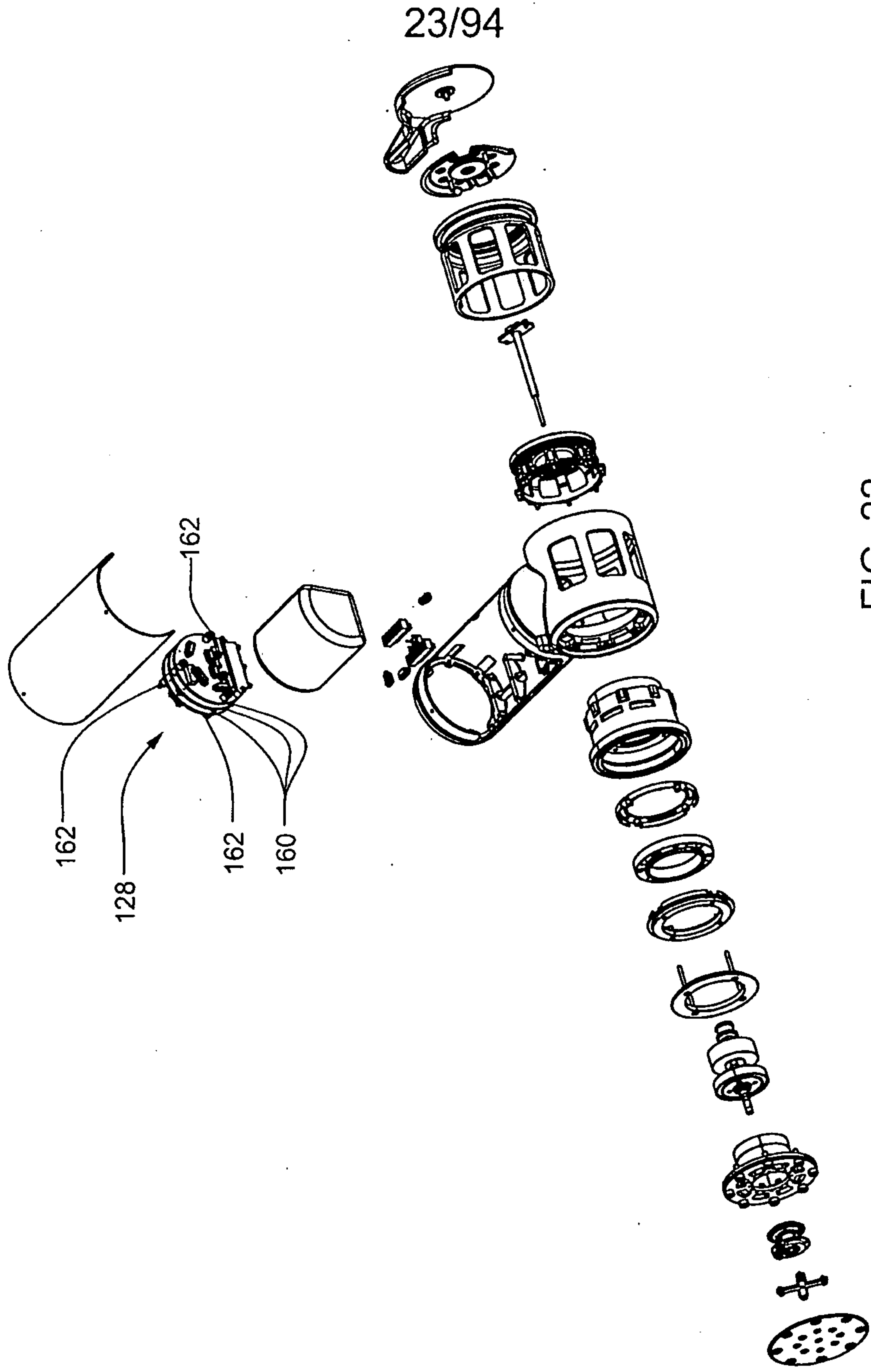
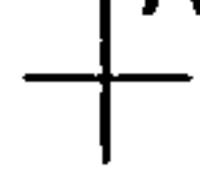


FIG. 22



McCormick, Paulding & Huber LLP
Title: ARM PROSTHETIC DEVICE
First Named Inventor: Christopher O. Evans
Attorney Docket Number: 7922-0034-1-1WO



24/94

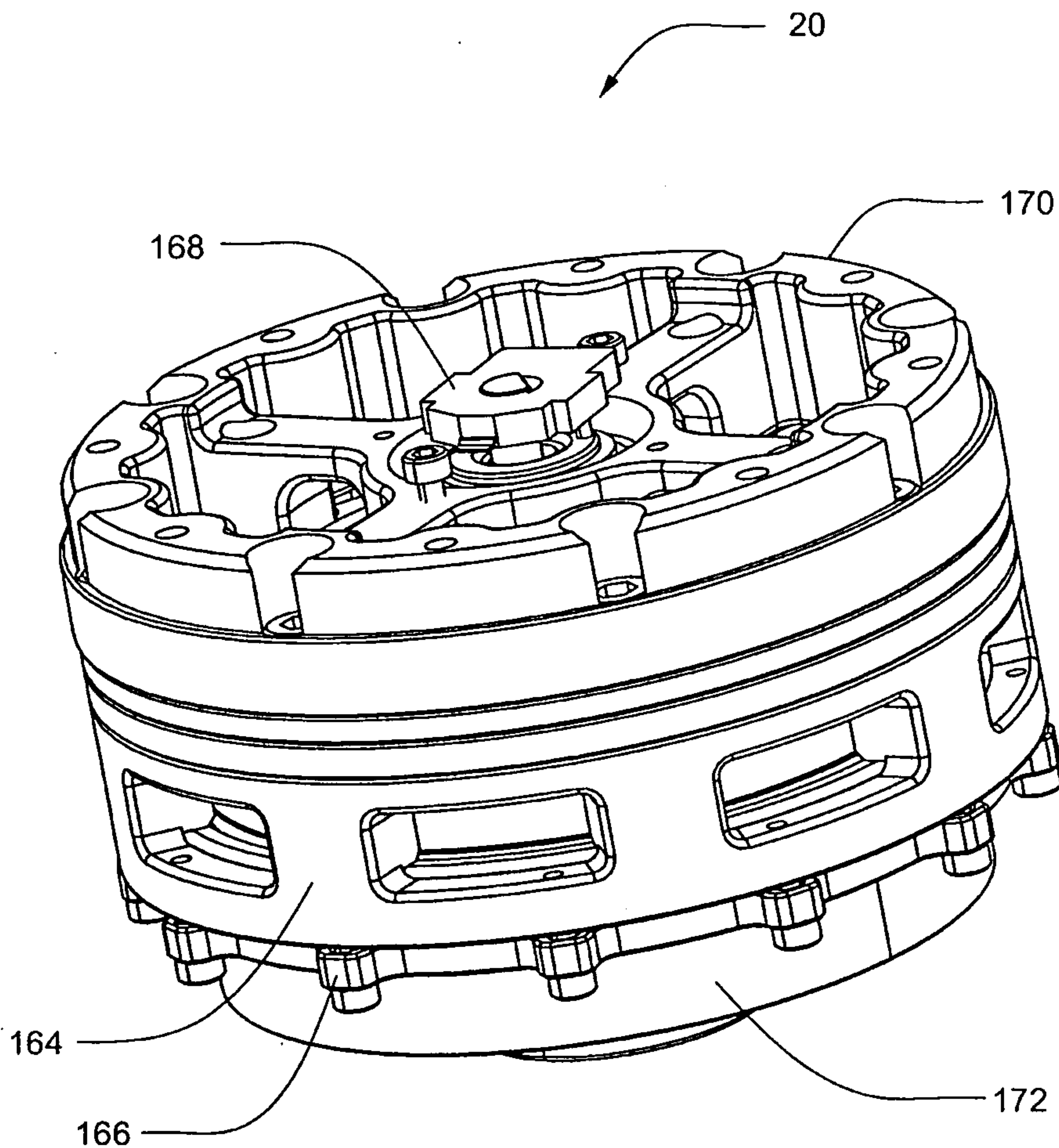


FIG. 23



McCormick, Paulding & Huber LLP
Title: ARM PROSTHETIC DEVICE
First Named Inventor: Christopher O. Evans
Attorney Docket Number: 7922-0034-1-1WO



25/94

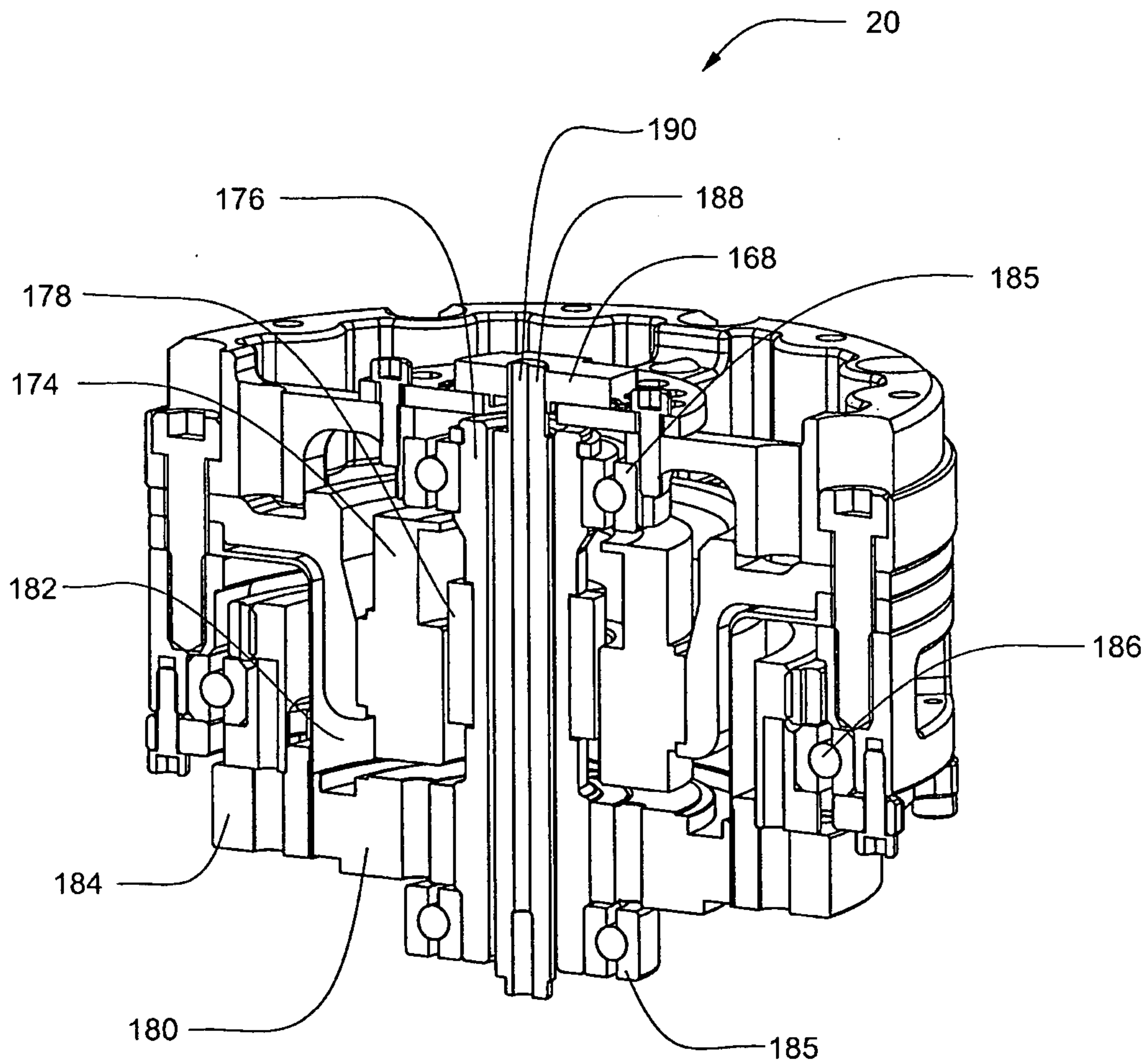


FIG. 24



McCormick, Paulding & Huber LLP
Title: ARM PROSTHETIC DEVICE
First Named Inventor: Christopher O. Evans
Attorney Docket Number: 7922-0034-1-1WO

+

26/94

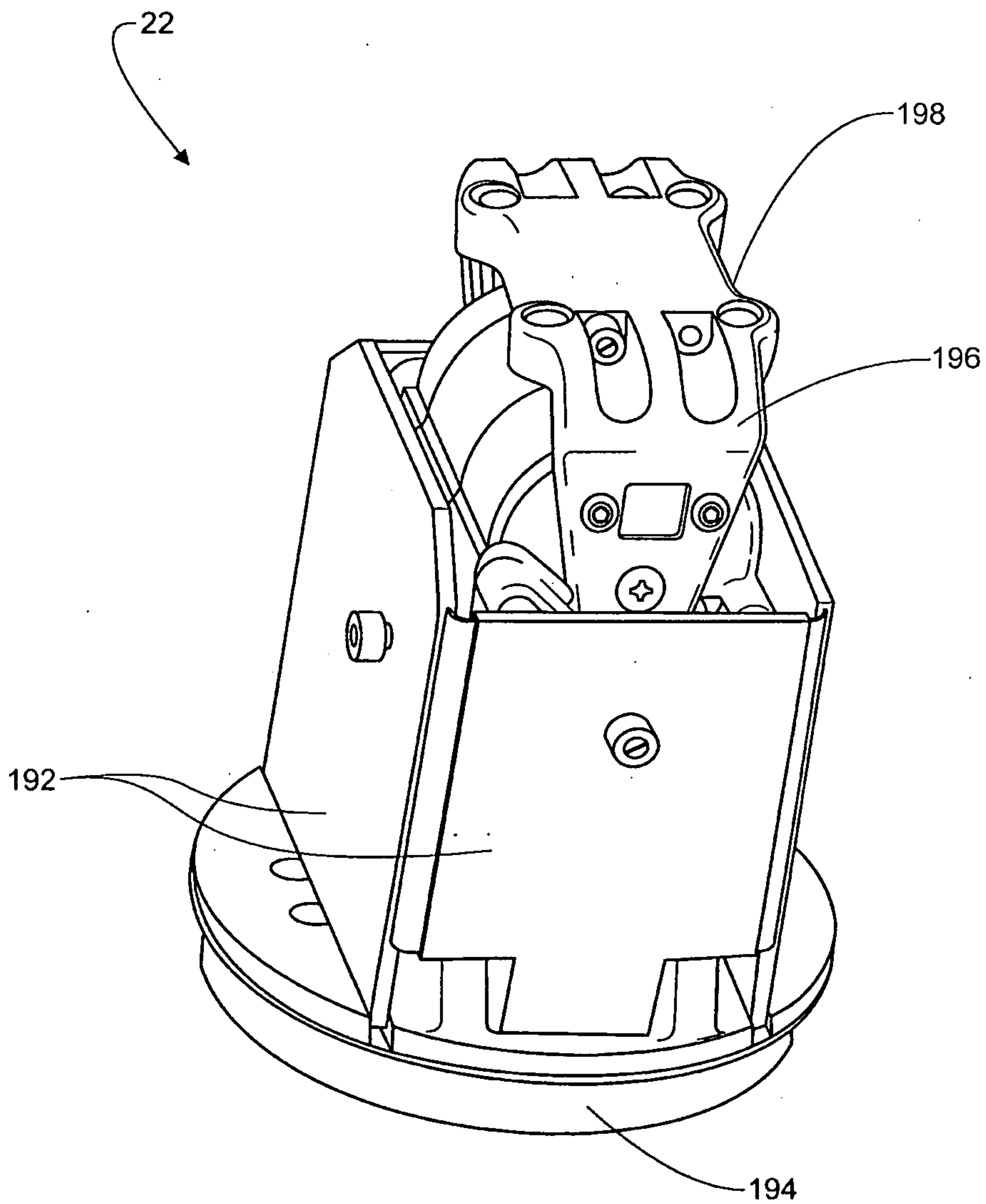


FIG. 25

+

McCormick, Paulding & Huber LLP
Title: ARM PROSTHETIC DEVICE
First Named Inventor: Christopher O. Evans
Attorney Docket Number: 7922-0034-1-1WO

+

27/94

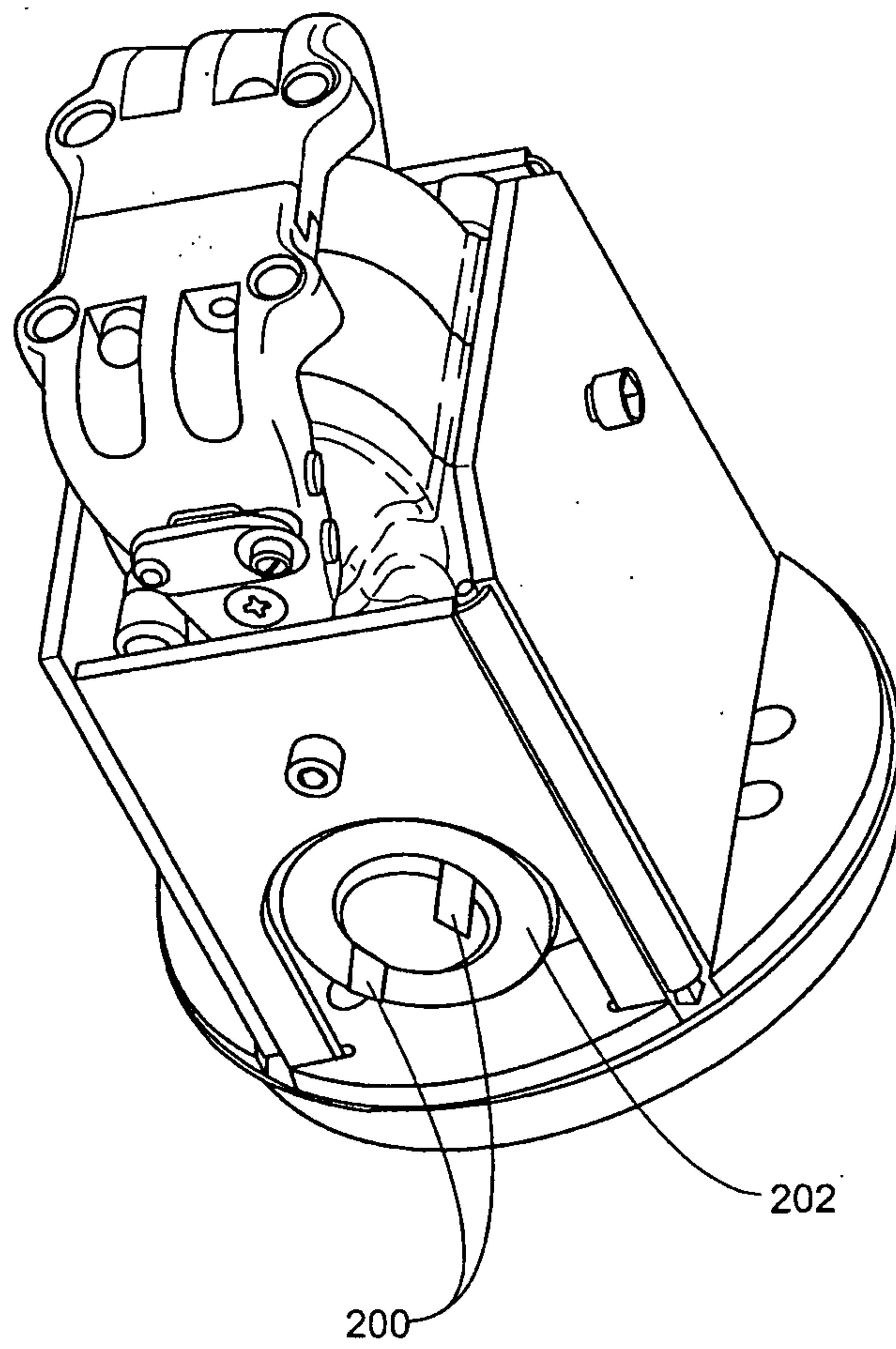


FIG. 26

+

McCormick, Paulding & Huber LLP
Title: ARM PROSTHETIC DEVICE
First Named Inventor: Christopher O. Evans
Attorney Docket Number: 7922-0034-1-1WO

+

28/94

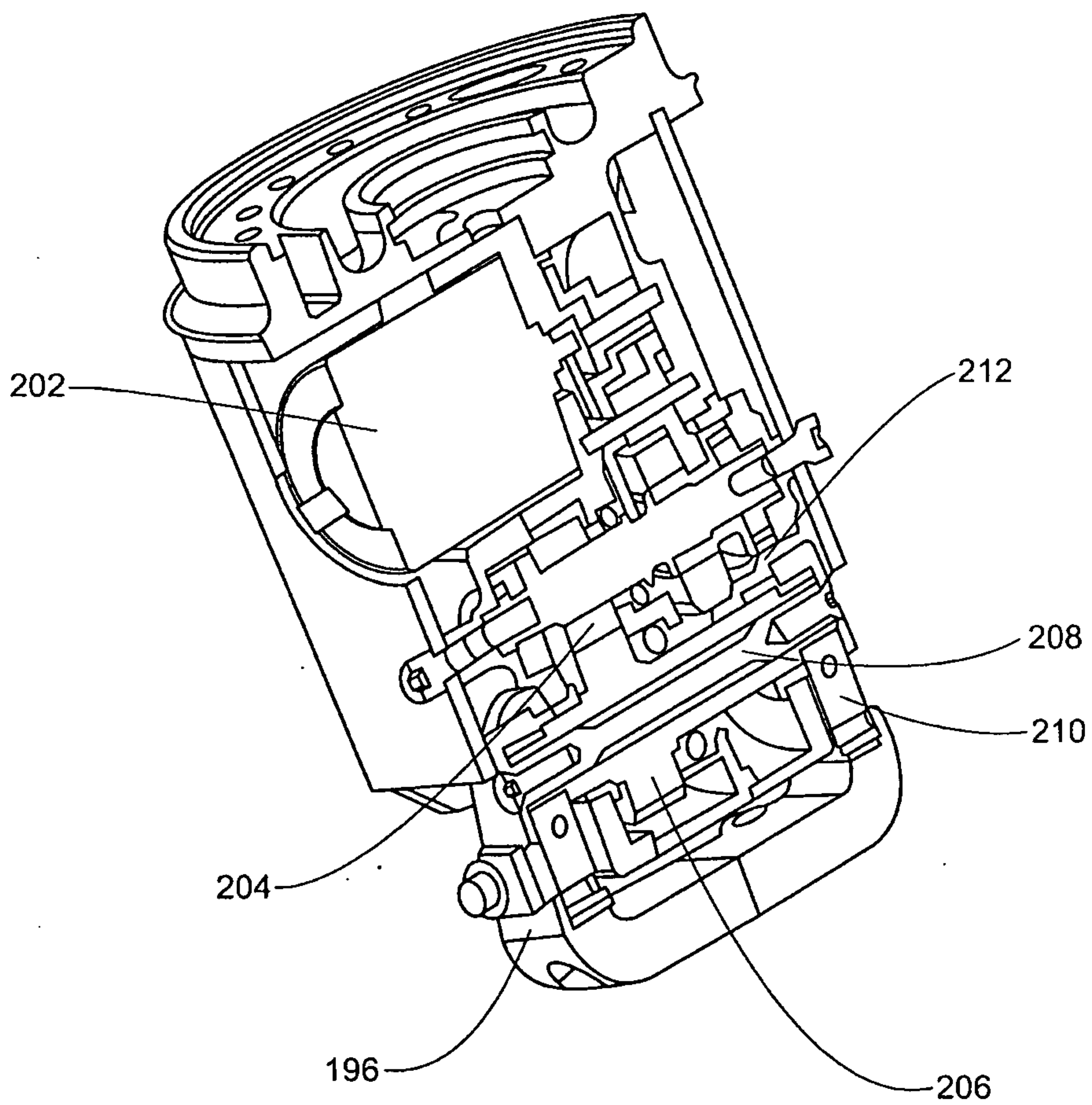


FIG. 27

+

McCormick, Paulding & Huber LLP
Title: ARM PROSTHETIC DEVICE
First Named Inventor: Christopher O. Evans
Attorney Docket Number: 7922-0034-1-1WO

+

29/94

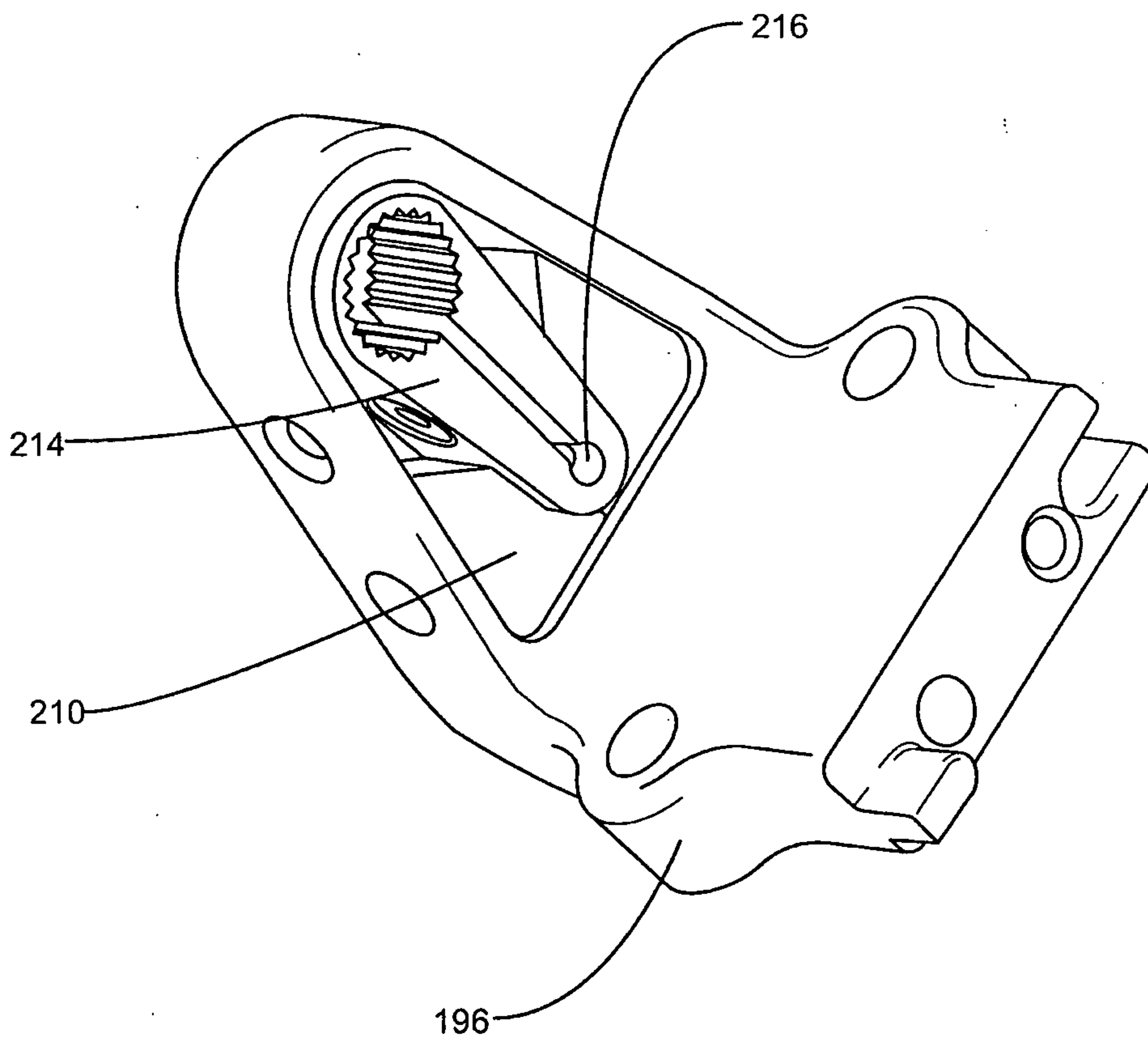


FIG. 28

+

McCormick, Paulding & Huber LLP
Title: ARM PROSTHETIC DEVICE
First Named Inventor: Christopher O. Evans
Attorney Docket Number: 7922-0034-1-1WO

+

30/94

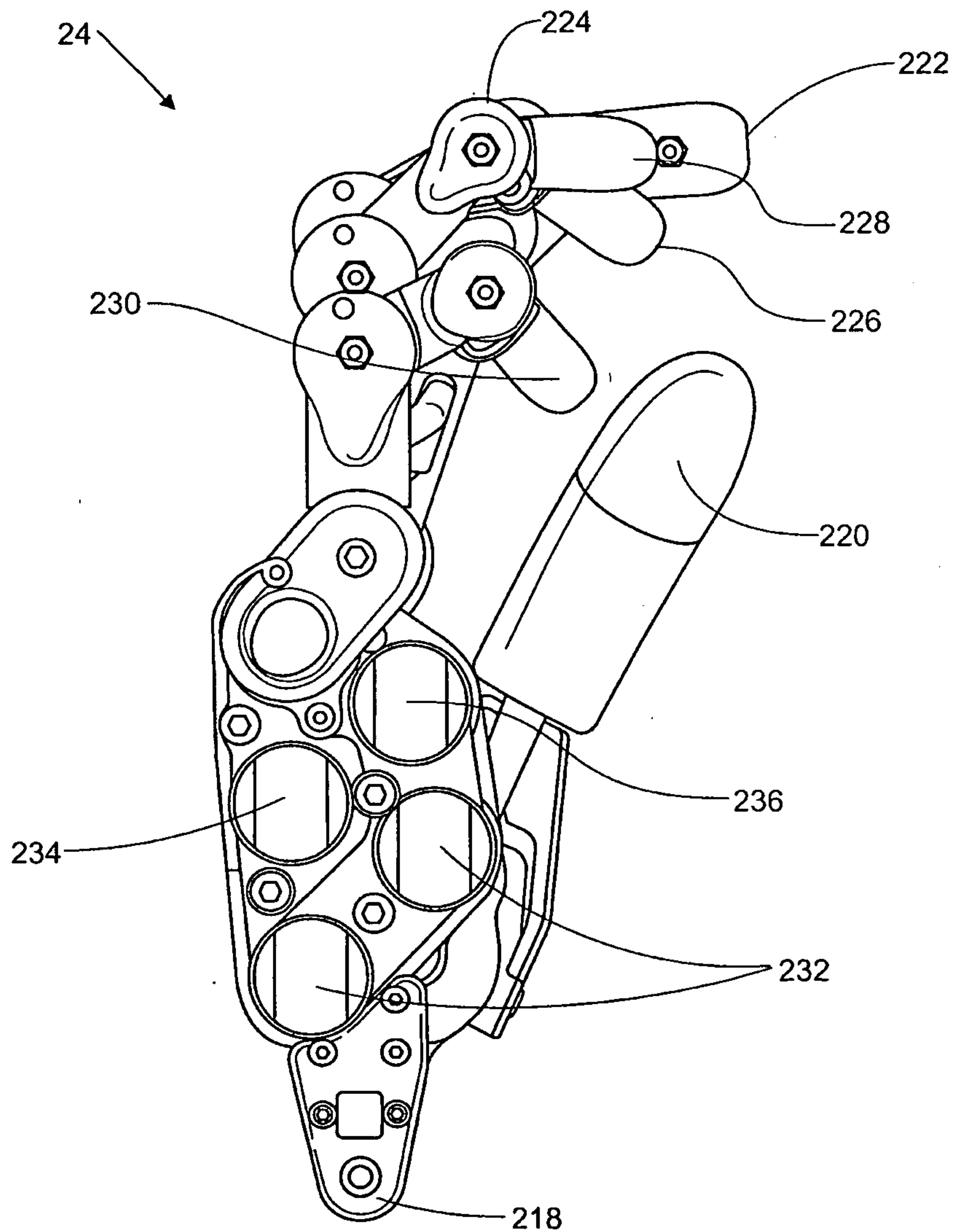


FIG. 29

+

McCormick, Paulding & Huber LLP
Title: ARM PROSTHETIC DEVICE
First Named Inventor: Christopher O. Evans
Attorney Docket Number: 7922-0034-1-1WO

+

31/94

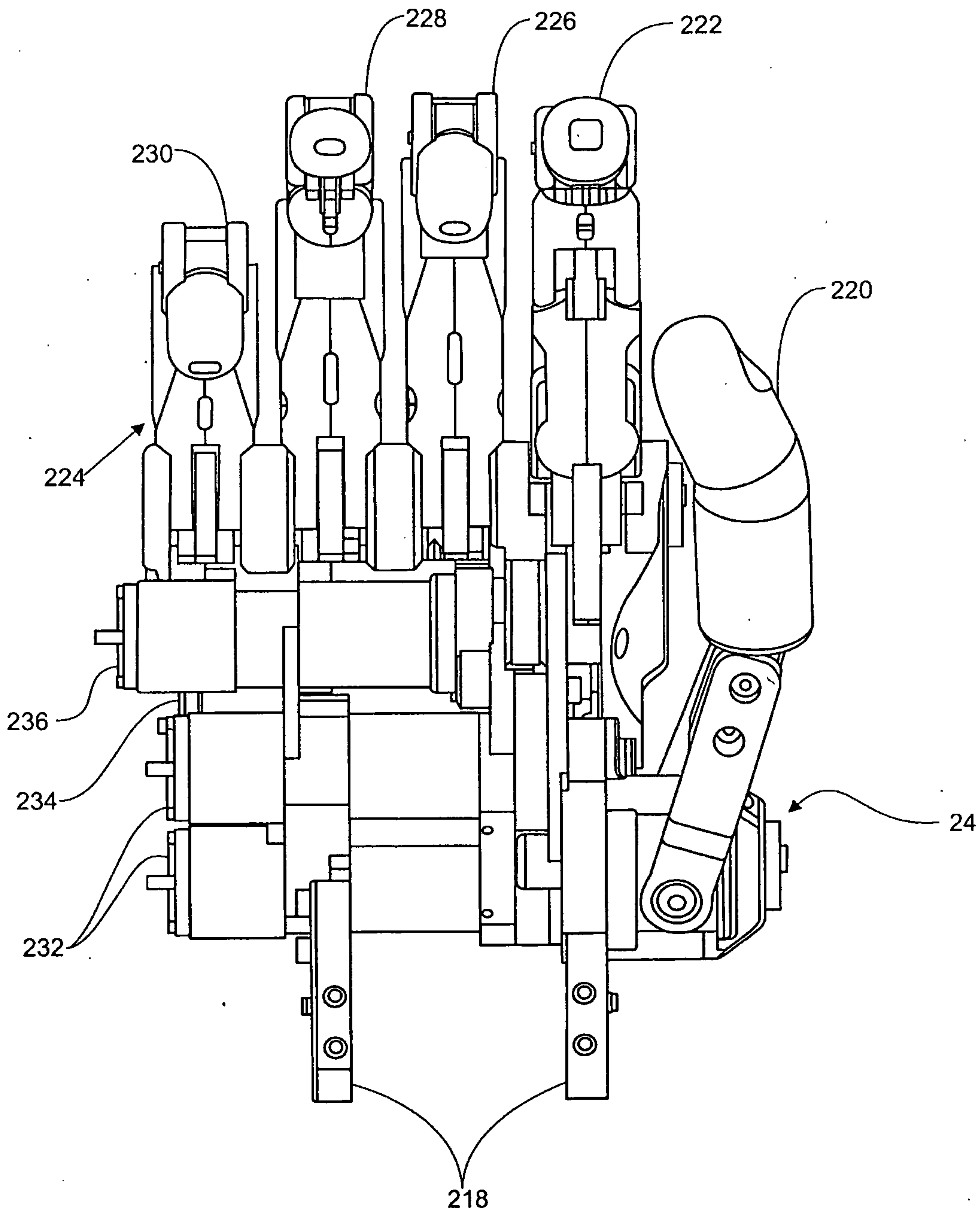


FIG. 30

+

McCormick, Paulding & Huber LLP
Title: ARM PROSTHETIC DEVICE
First Named Inventor: Christopher O. Evans
Attorney Docket Number: 7922-0034-1-1WO

+

32/94

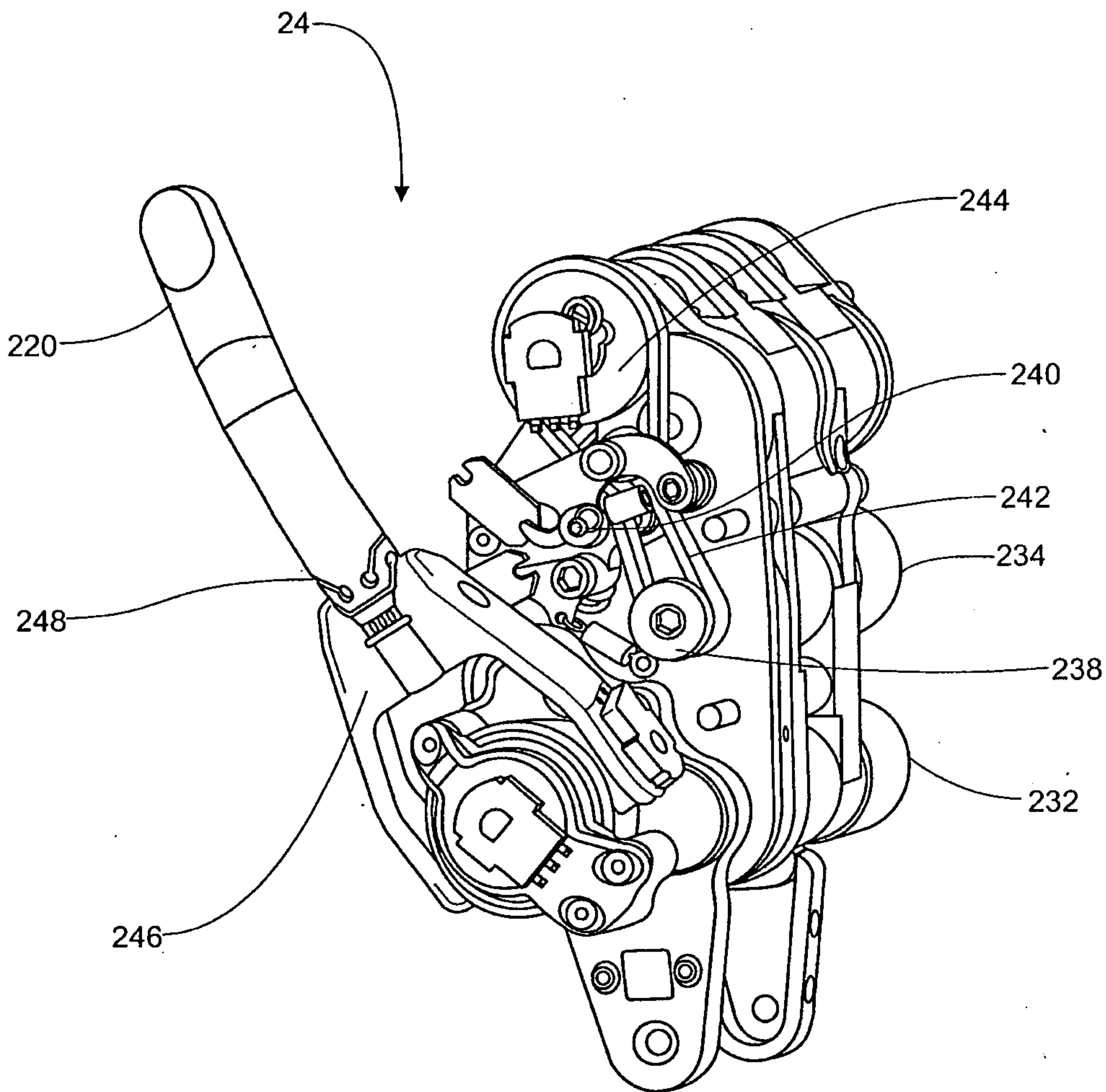


FIG. 31

+

McCormick, Paulding & Huber LLP
Title: ARM PROSTHETIC DEVICE
First Named Inventor: Christopher O. Evans
Attorney Docket Number: 7922-0034-1-1WO

+

33/94

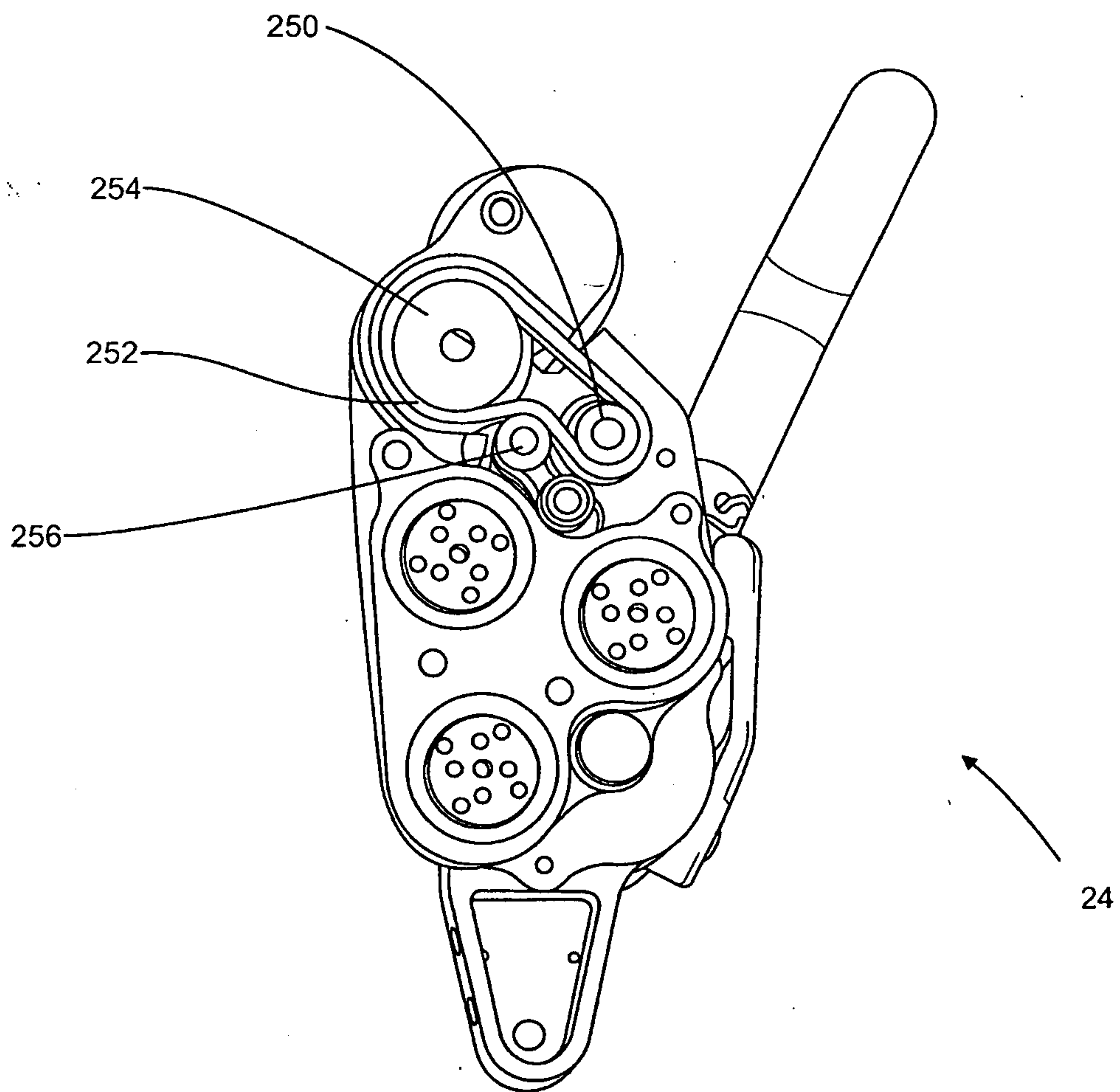


FIG. 32

+

McCormick, Paulding & Huber LLP
Title: ARM PROSTHETIC DEVICE
First Named Inventor: Christopher O. Evans
Attorney Docket Number: 7922-0034-1-1WO

+

34/94

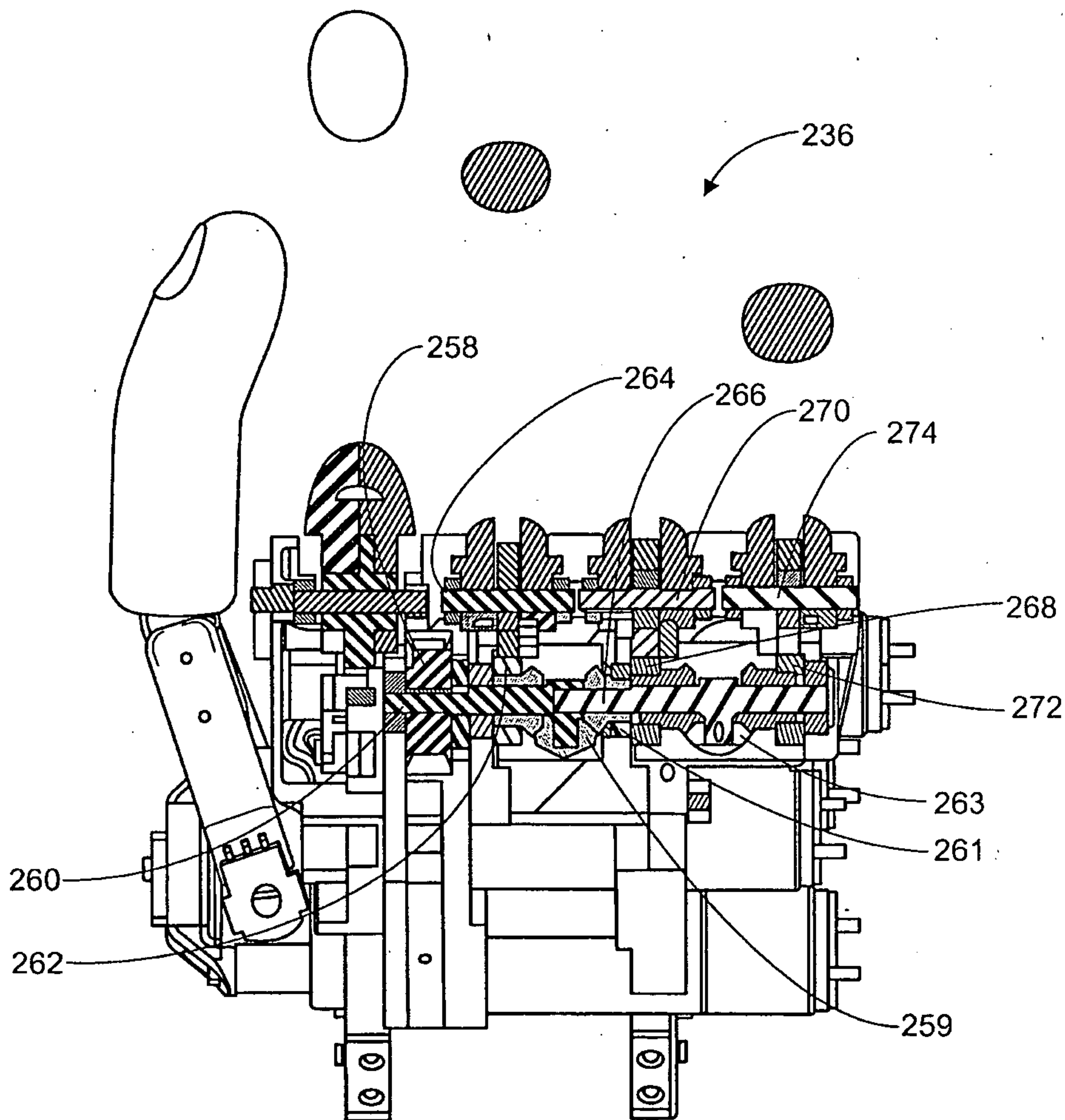


FIG. 33

+

McCormick, Paulding & Huber LLP
Title: ARM PROSTHETIC DEVICE
First Named Inventor: Christopher O. Evans
Attorney Docket Number: 7922-0034-1-1WO

+

35/94

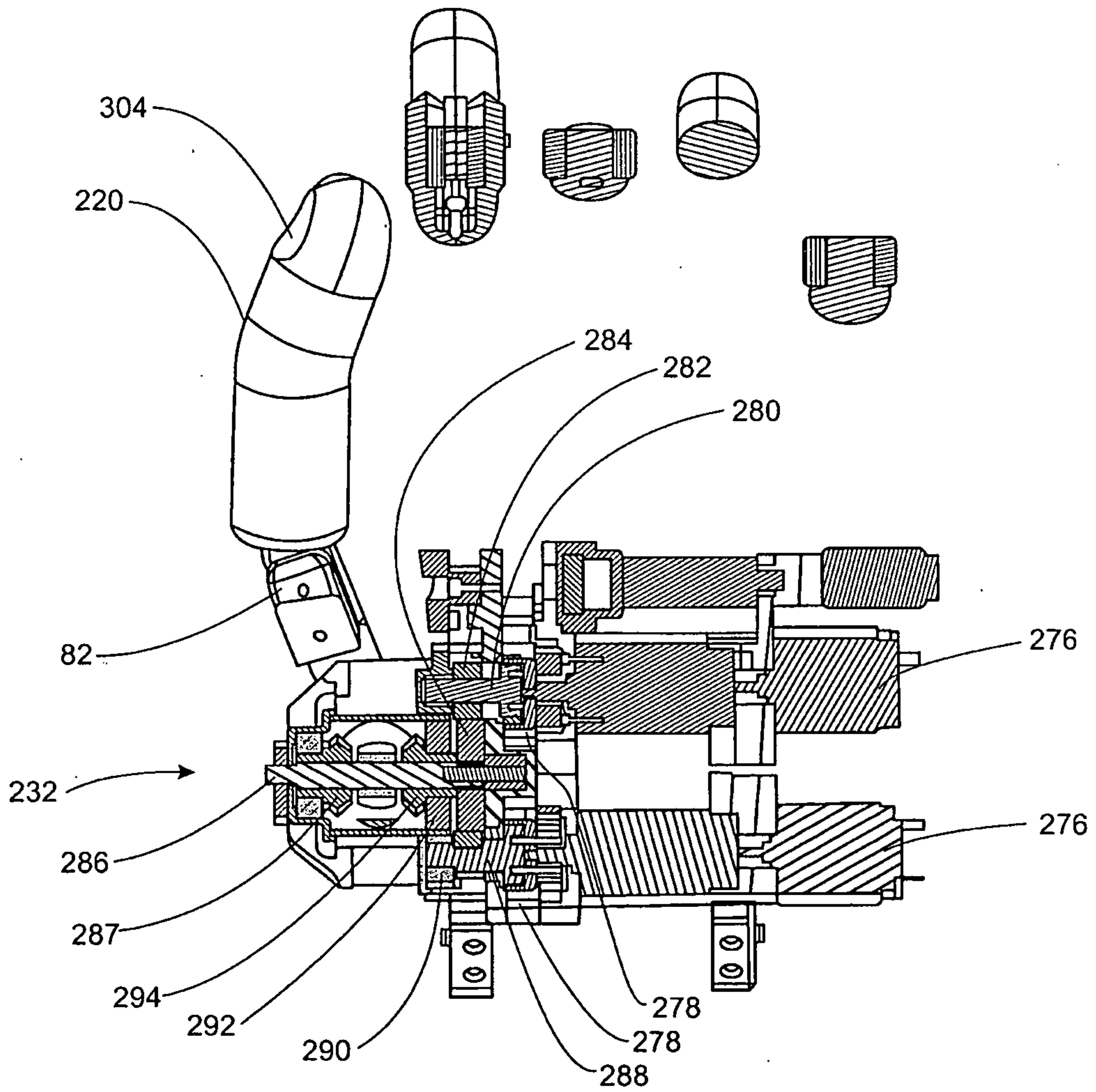


FIG. 34

+

McCormick, Paulding & Huber LLP
Title: ARM PROSTHETIC DEVICE
First Named Inventor: Christopher O. Evans
Attorney Docket Number: 7922-0034-1-1WO

+

36/94

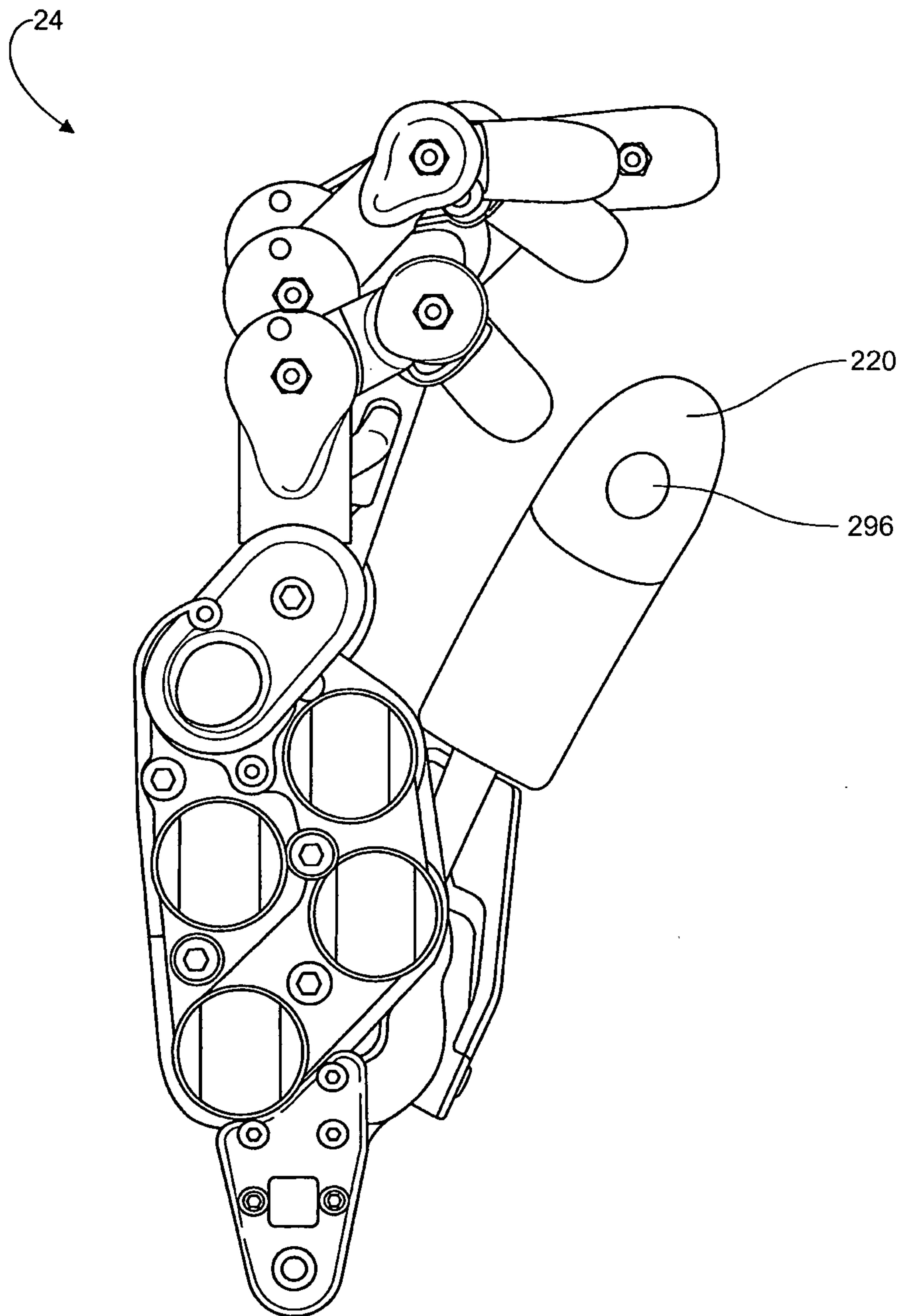


FIG. 35

+

McCormick, Paulding & Huber LLP
Title: ARM PROSTHETIC DEVICE
First Named Inventor: Christopher O. Evans
Attorney Docket Number: 7922-0034-1-1WO

+

37/94

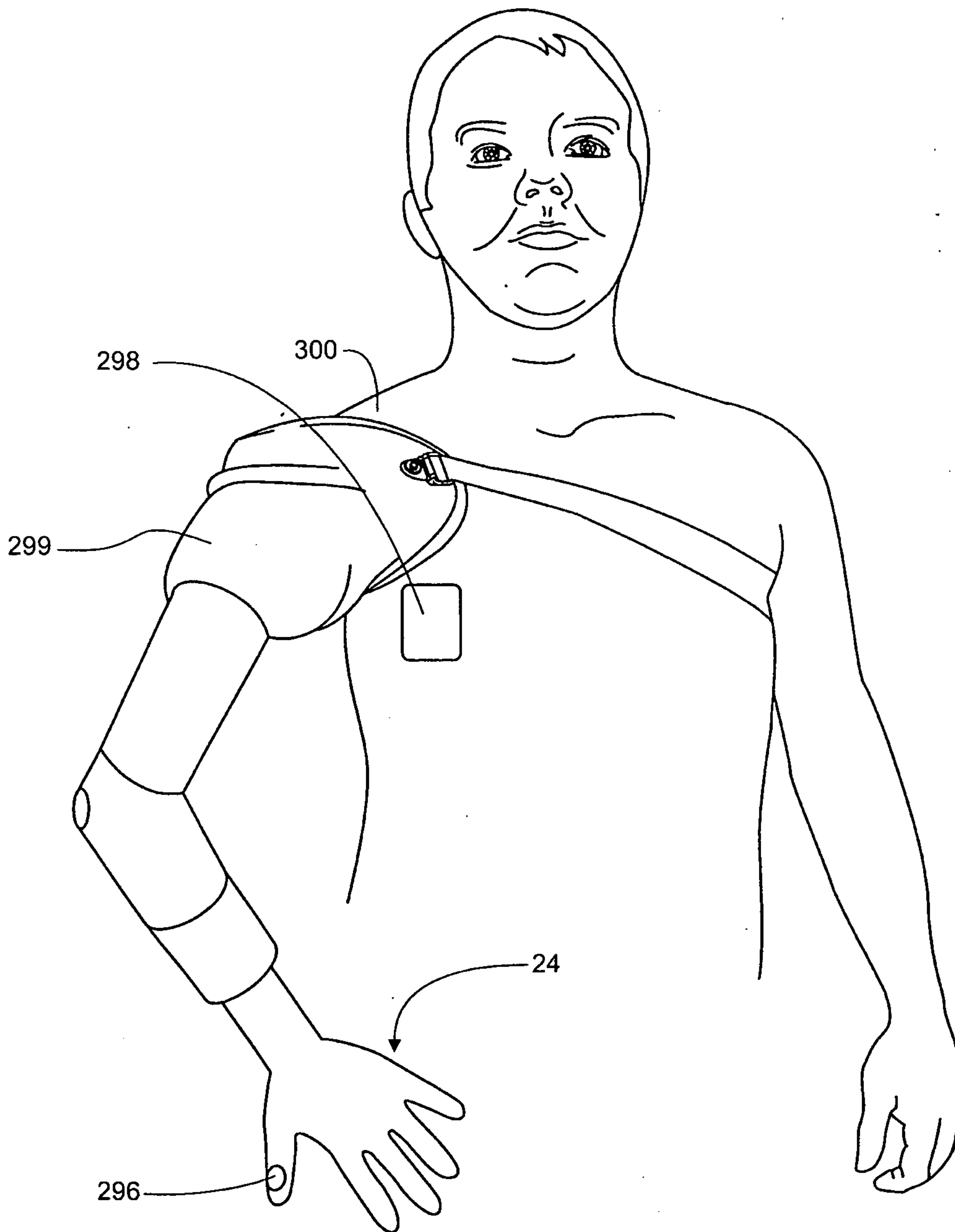


FIG. 36

+

McCormick, Paulding & Huber LLP
Title: ARM PROSTHETIC DEVICE
First Named Inventor: Christopher O. Evans
Attorney Docket Number: 7922-0034-1-1WO
+

38/94

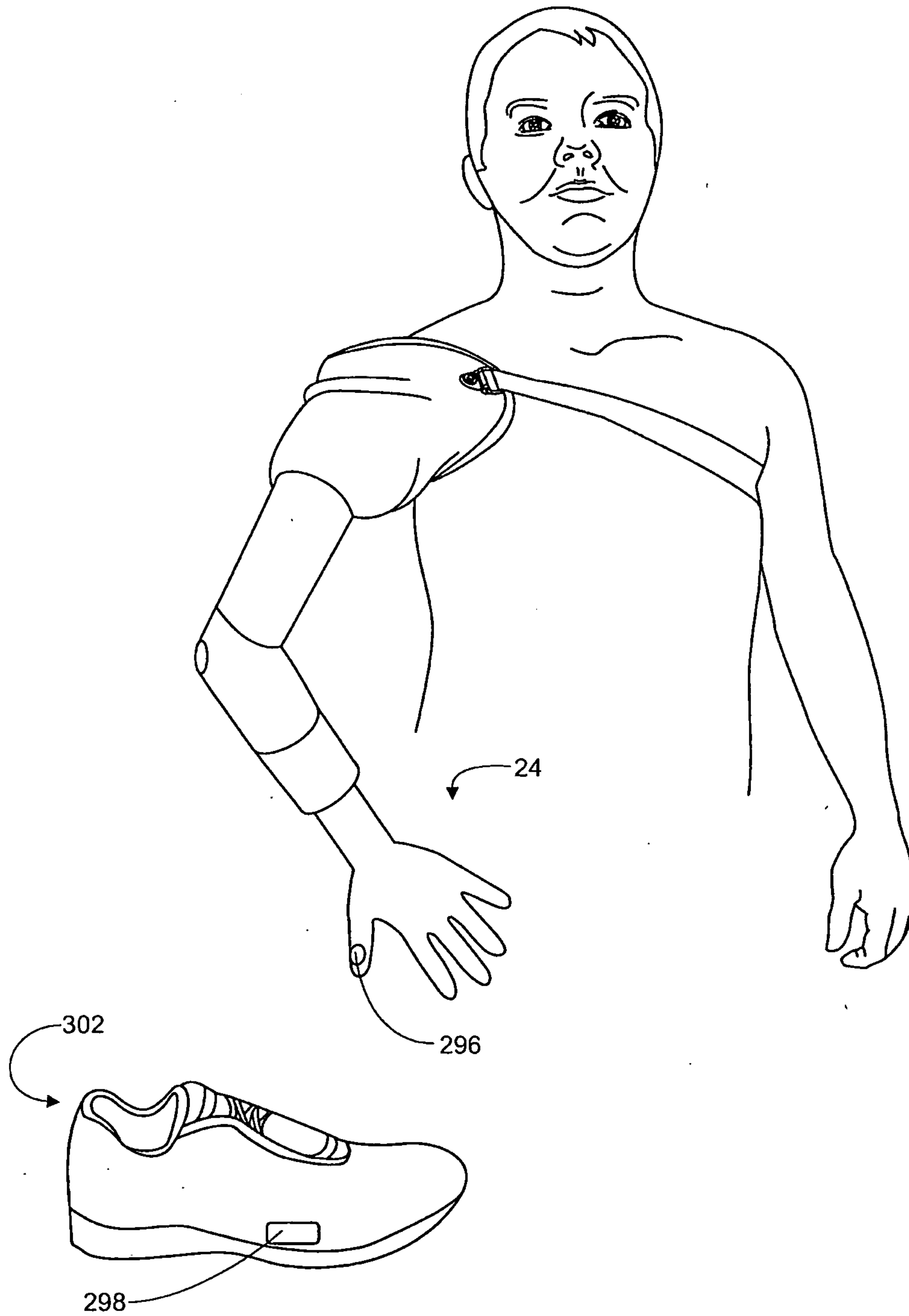


FIG. 37

+

McCormick, Paulding & Huber LLP
Title: ARM PROSTHETIC DEVICE
First Named Inventor: Christopher O. Evans
Attorney Docket Number: 7922-0034-1-1WO

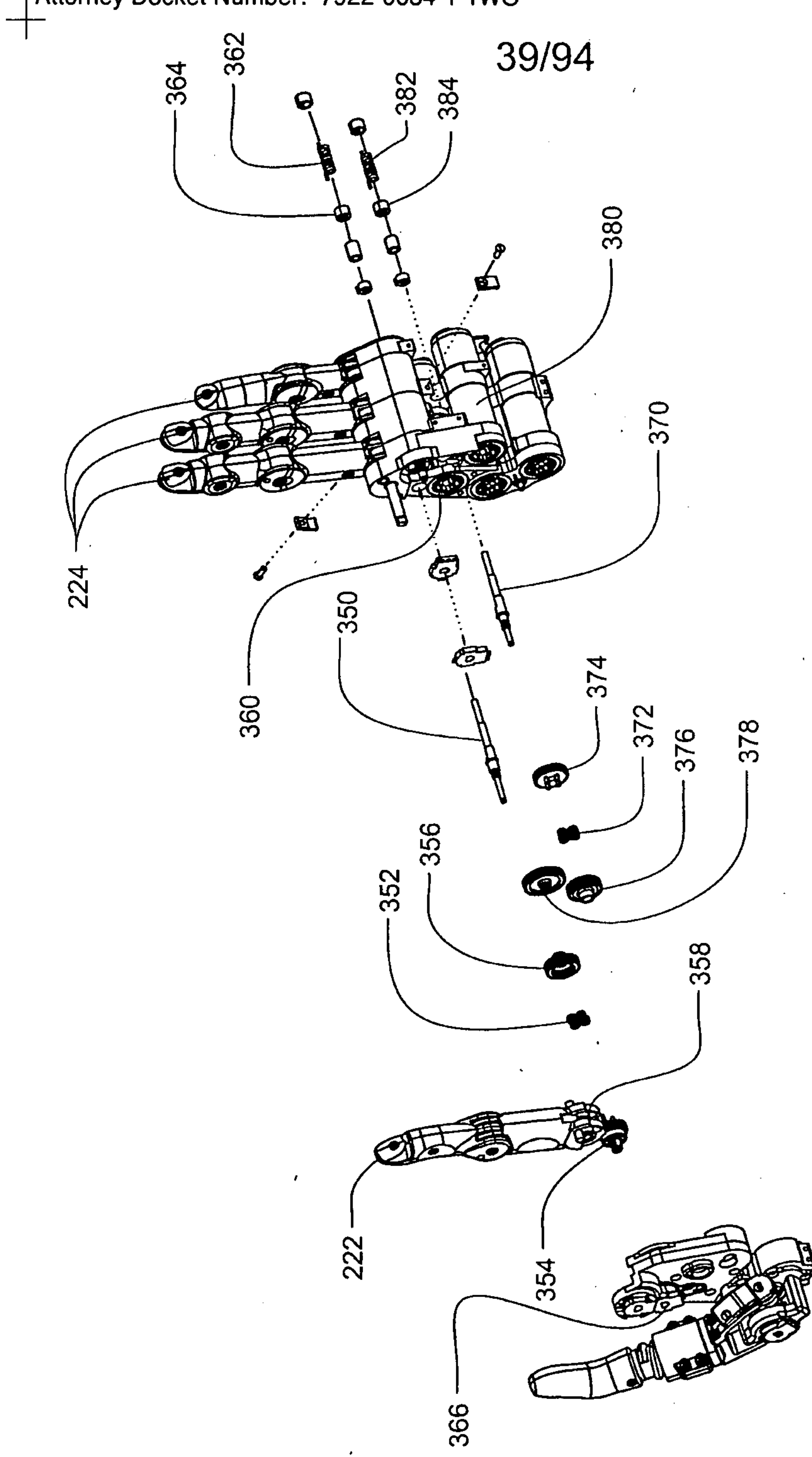
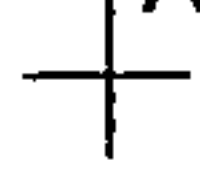


FIG. 38

McCormick, Paulding & Huber LLP
Title: ARM PROSTHETIC DEVICE
First Named Inventor: Christopher O. Evans
Attorney Docket Number: 7922-0034-1-1WO



40/94

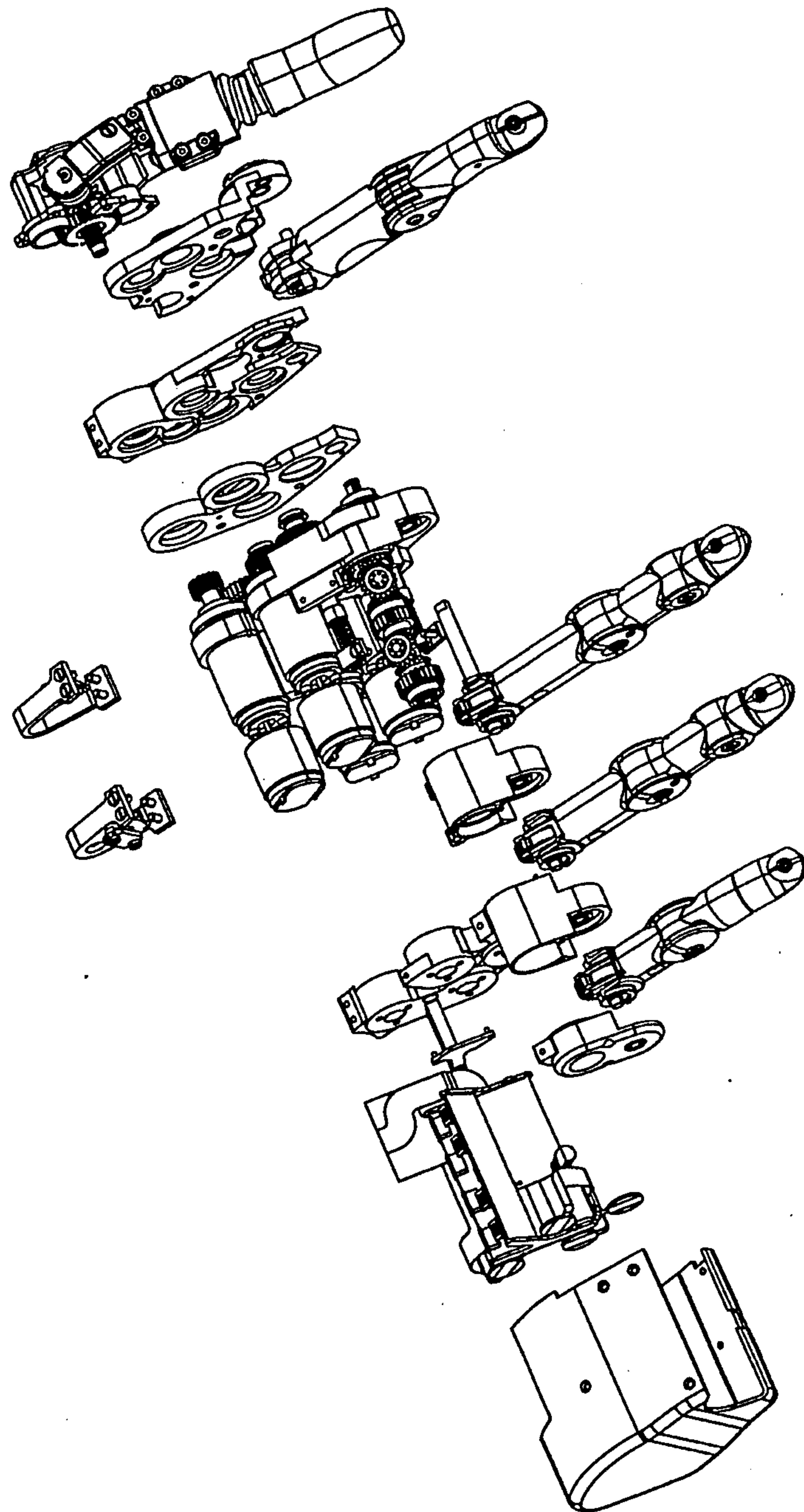
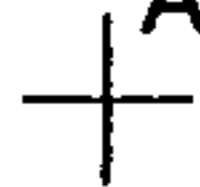


FIG. 39



McCormick, Paulding & Huber LLP
Title: ARM PROSTHETIC DEVICE
First Named Inventor: Christopher O. Evans
Attorney Docket Number: 7922-0034-1-1WO



41/94

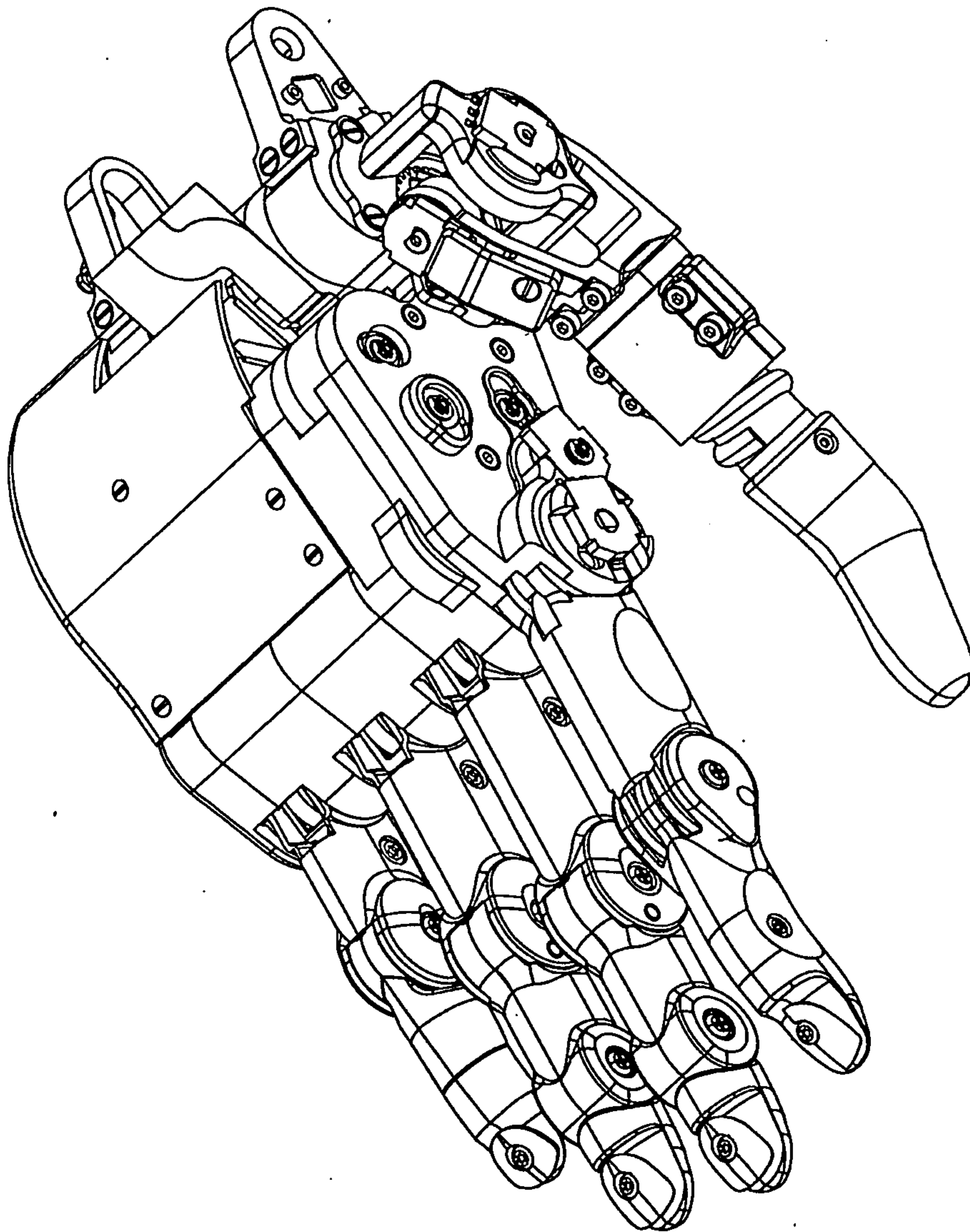
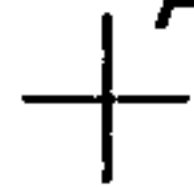


FIG. 40



McCormick, Paulding & Huber LLP
Title: ARM PROSTHETIC DEVICE
First Named Inventor: Christopher O. Evans
Attorney Docket Number: 7922-0034-1-1WO



42/94

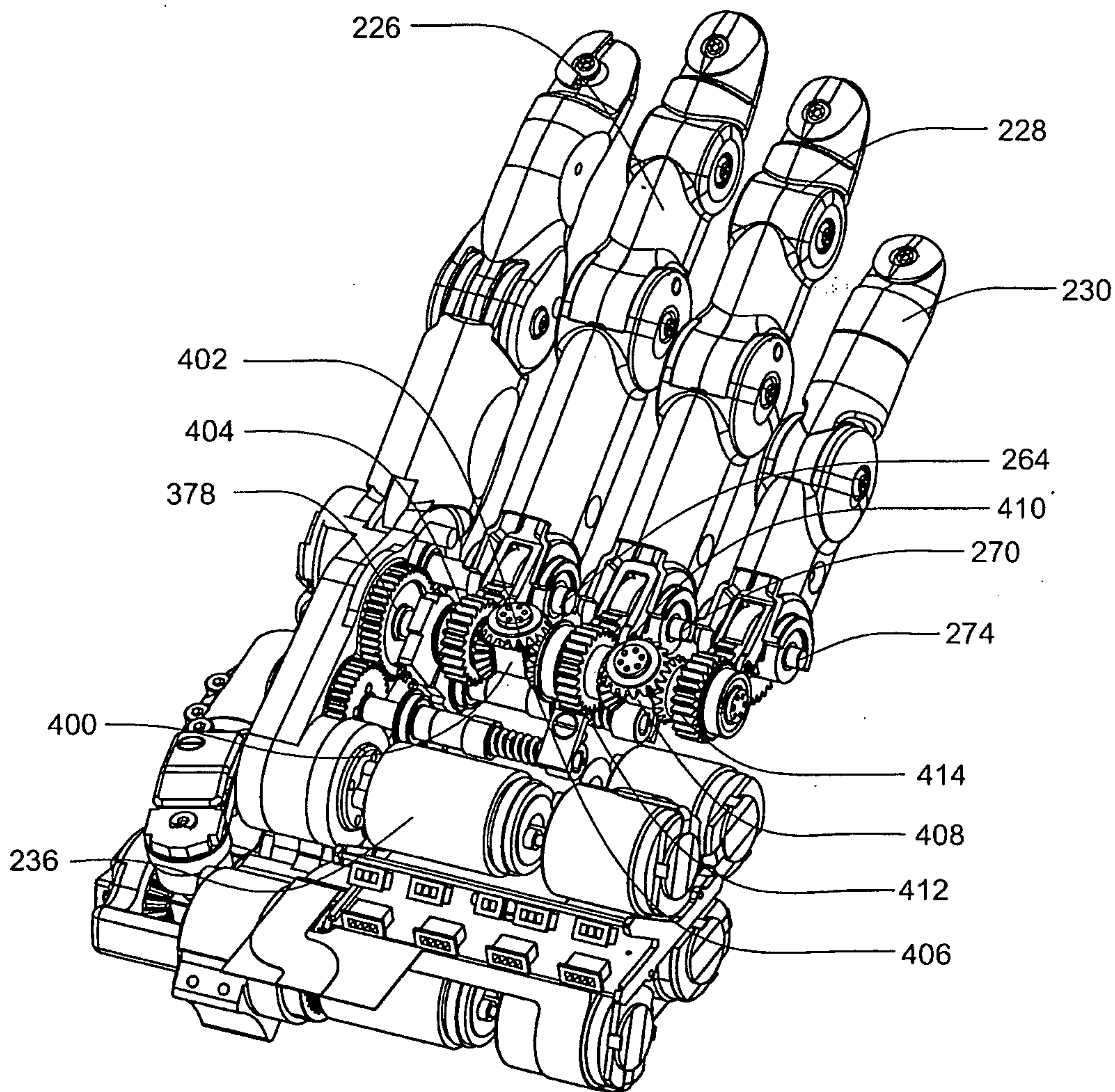


FIG. 41



McCormick, Paulding & Huber LLP
Title: ARM PROSTHETIC DEVICE
First Named Inventor: Christopher O. Evans
Attorney Docket Number: 7922-0034-1-1WO

+

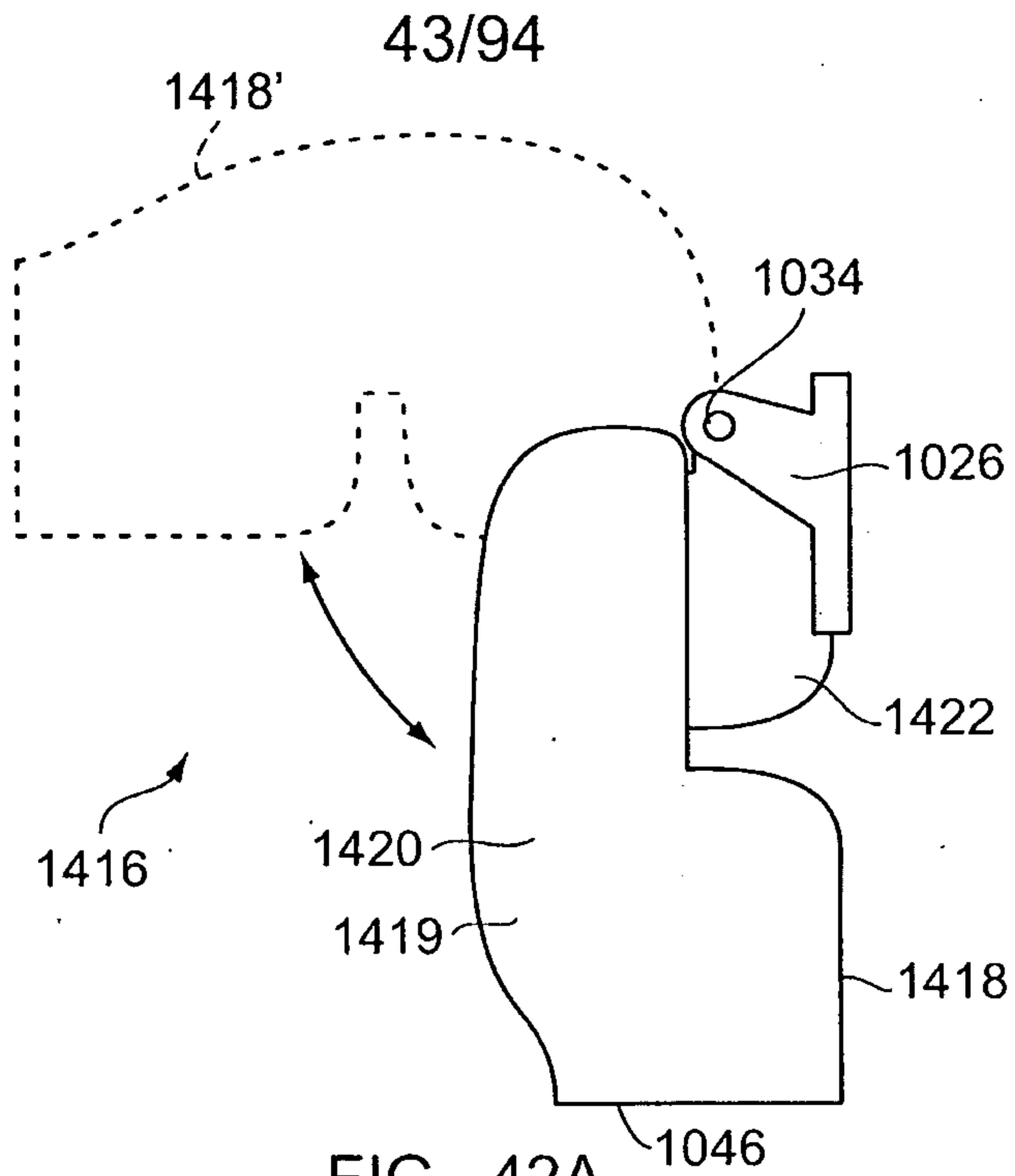


FIG. 42A

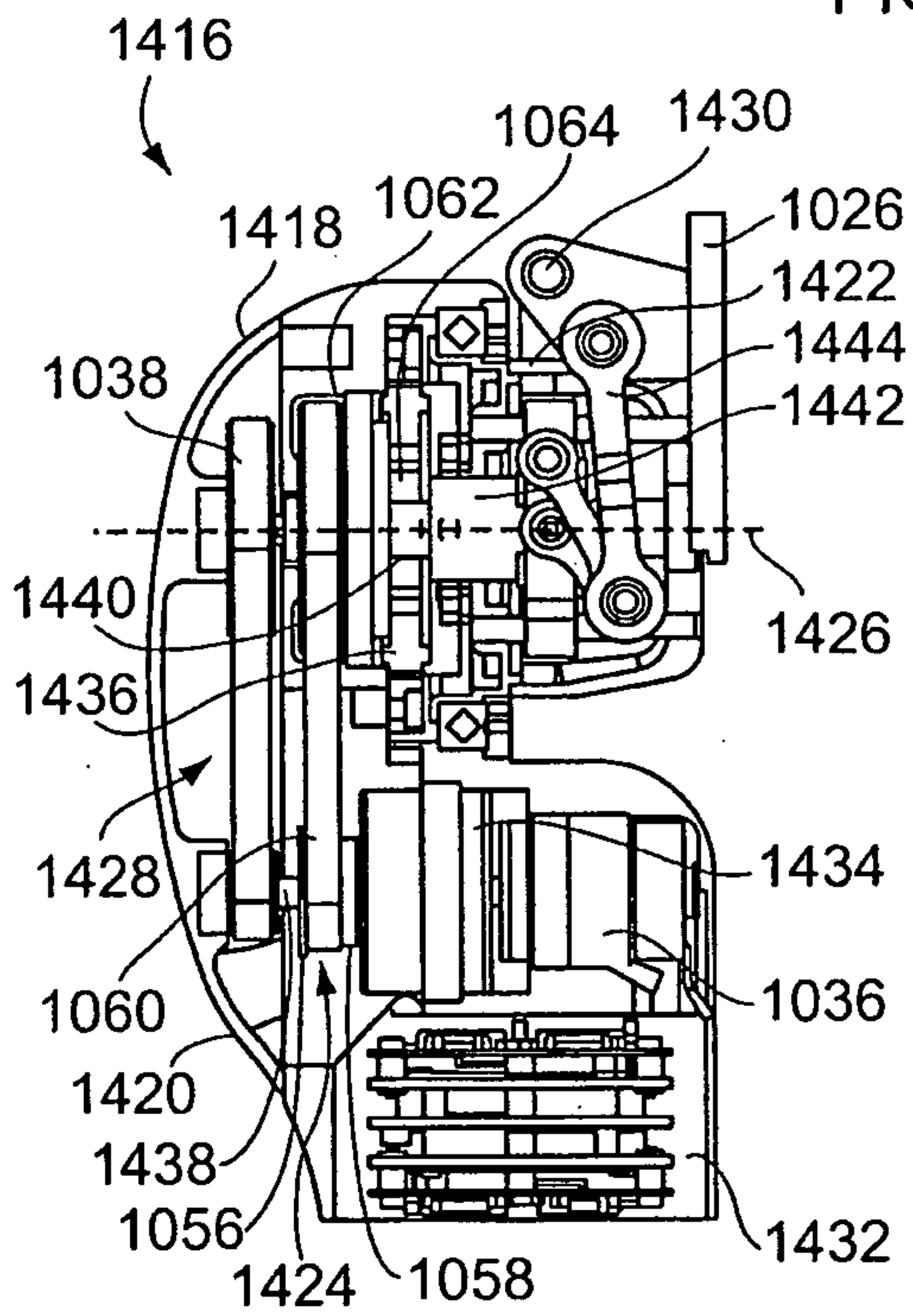


FIG. 42B

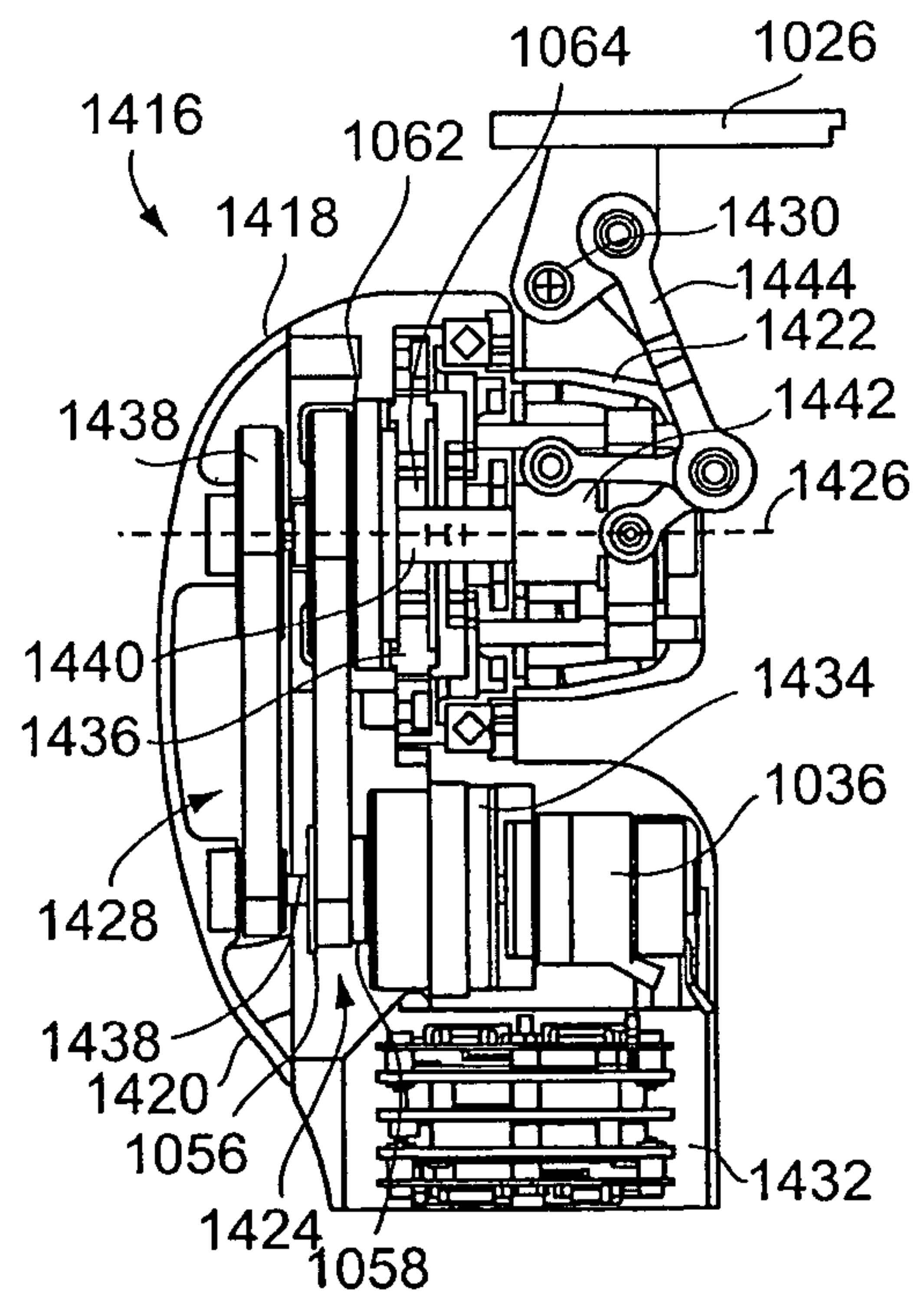


FIG. 42C

+

McCormick, Paulding & Huber LLP
Title: ARM PROSTHETIC DEVICE
First Named Inventor: Christopher O. Evans
Attorney Docket Number: 7922-0034-1-1WO

44/94

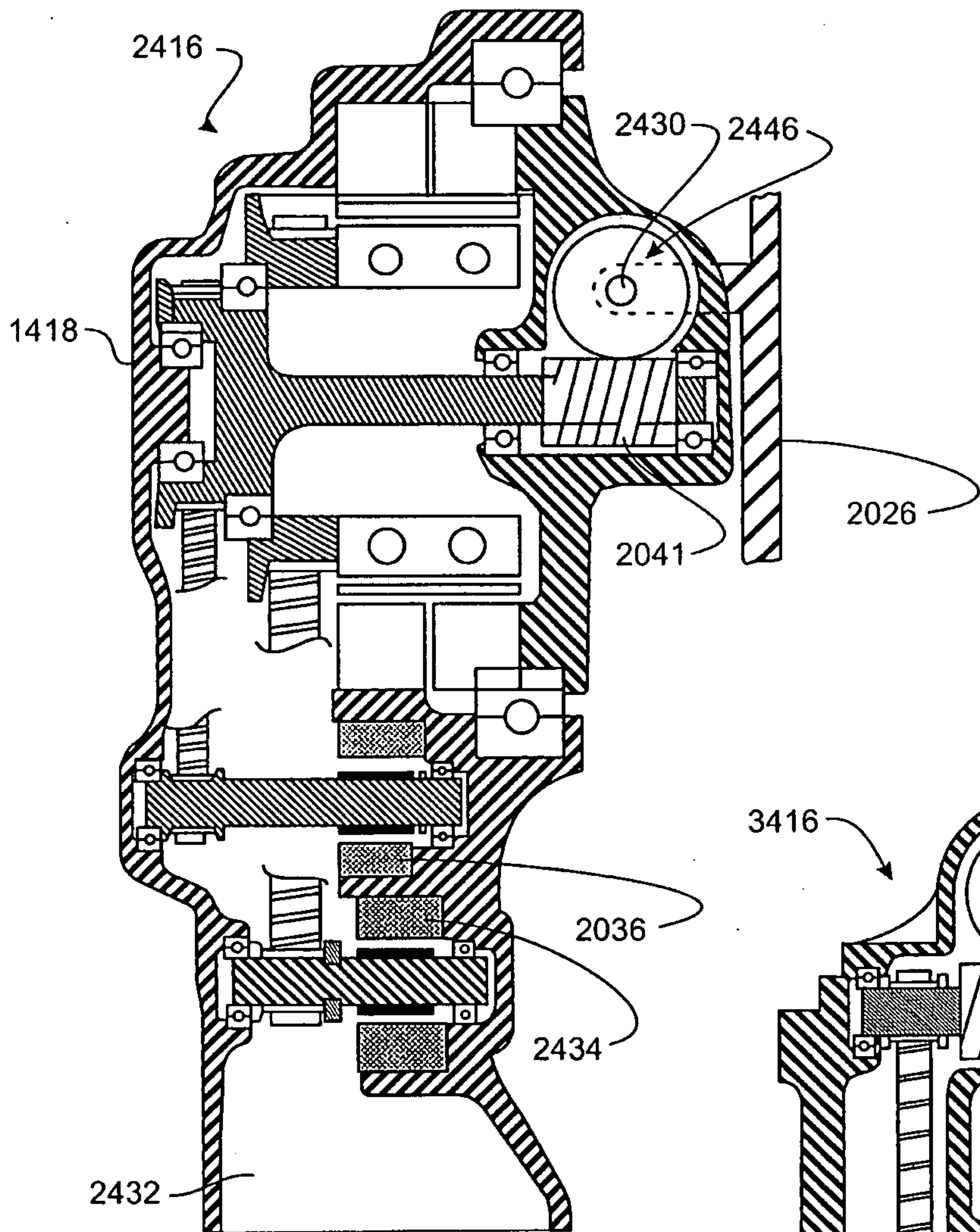


FIG. 43

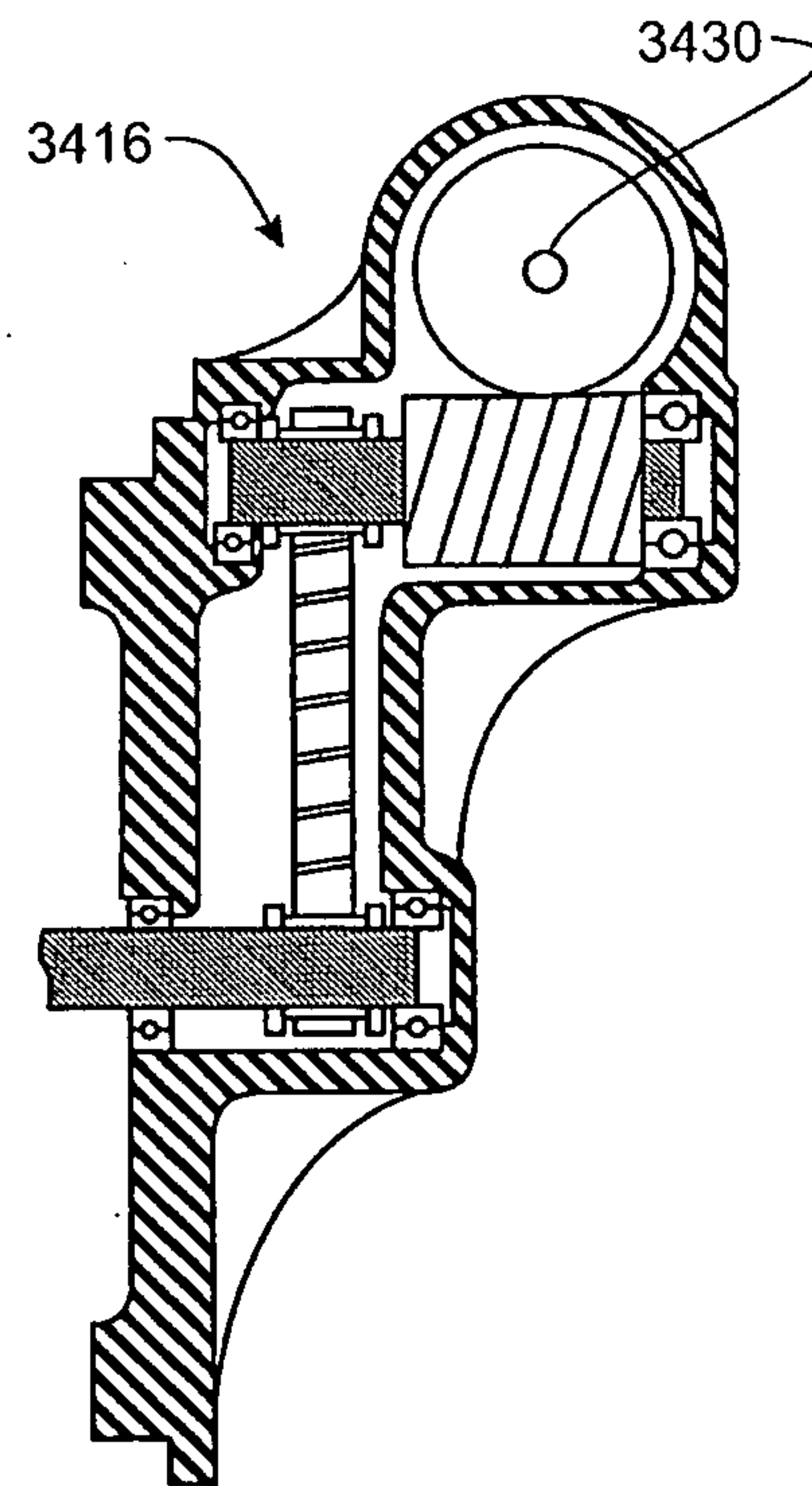


FIG. 44

+

McCormick, Paulding & Huber LLP
Title: ARM PROSTHETIC DEVICE
First Named Inventor: Christopher O. Evans
Attorney Docket Number: 7922-0034-1-1WO

+

45/94

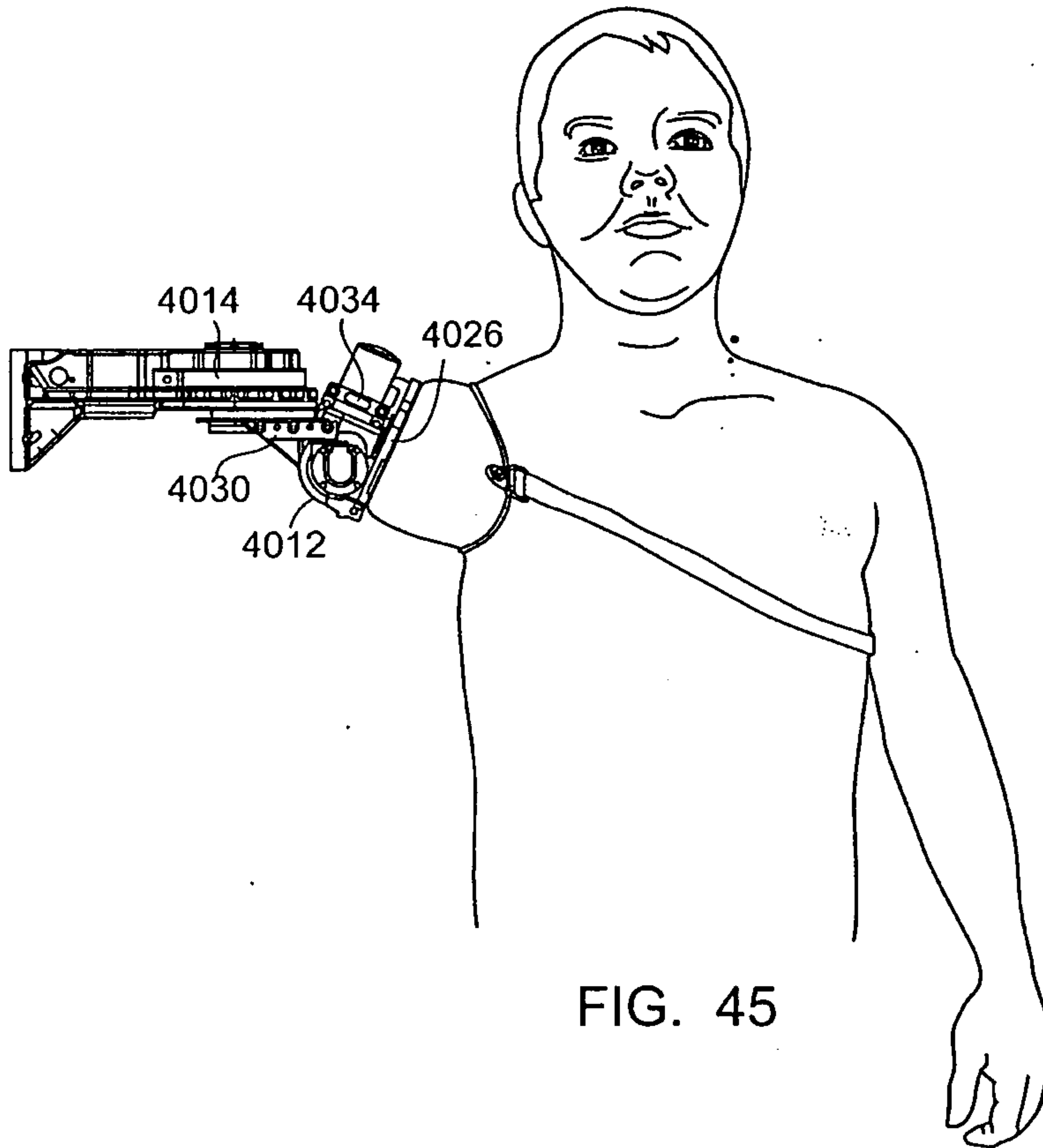


FIG. 45

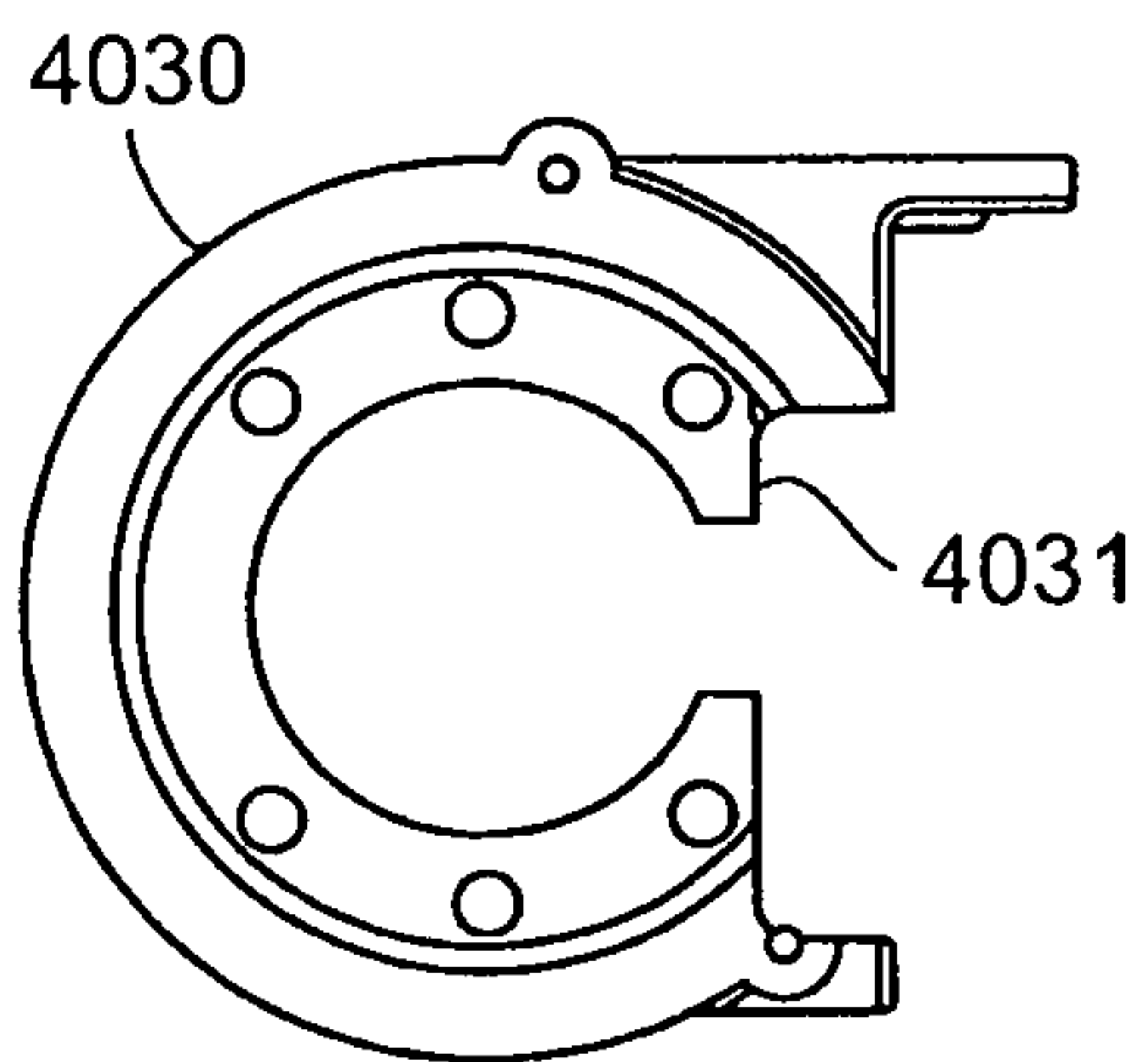


FIG. 46

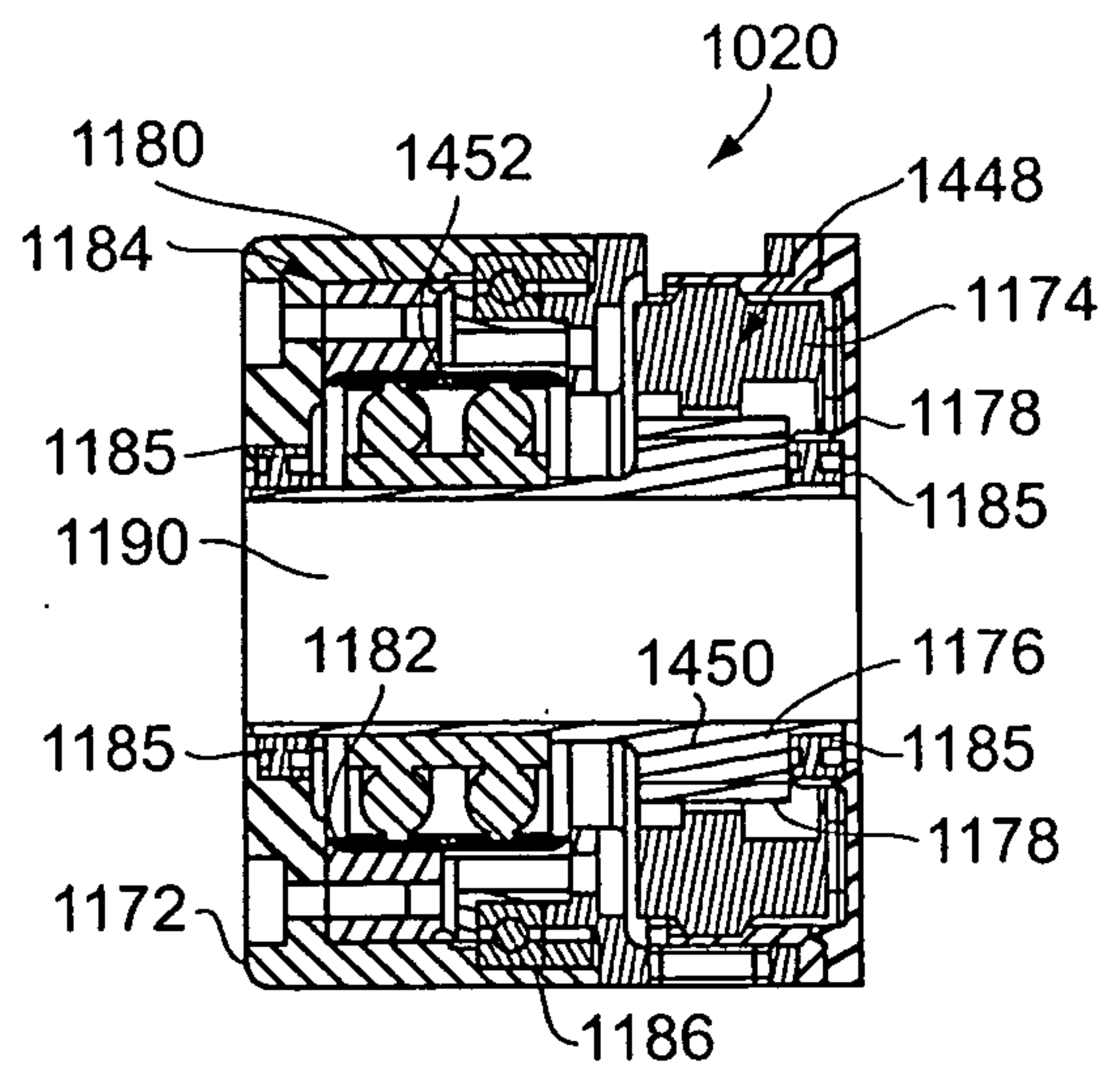


FIG. 49

+

McCormick, Paulding & Huber LLP
Title: ARM PROSTHETIC DEVICE
First Named Inventor: Christopher O. Evans
Attorney Docket Number: 7922-0034-1-1WO



46/94

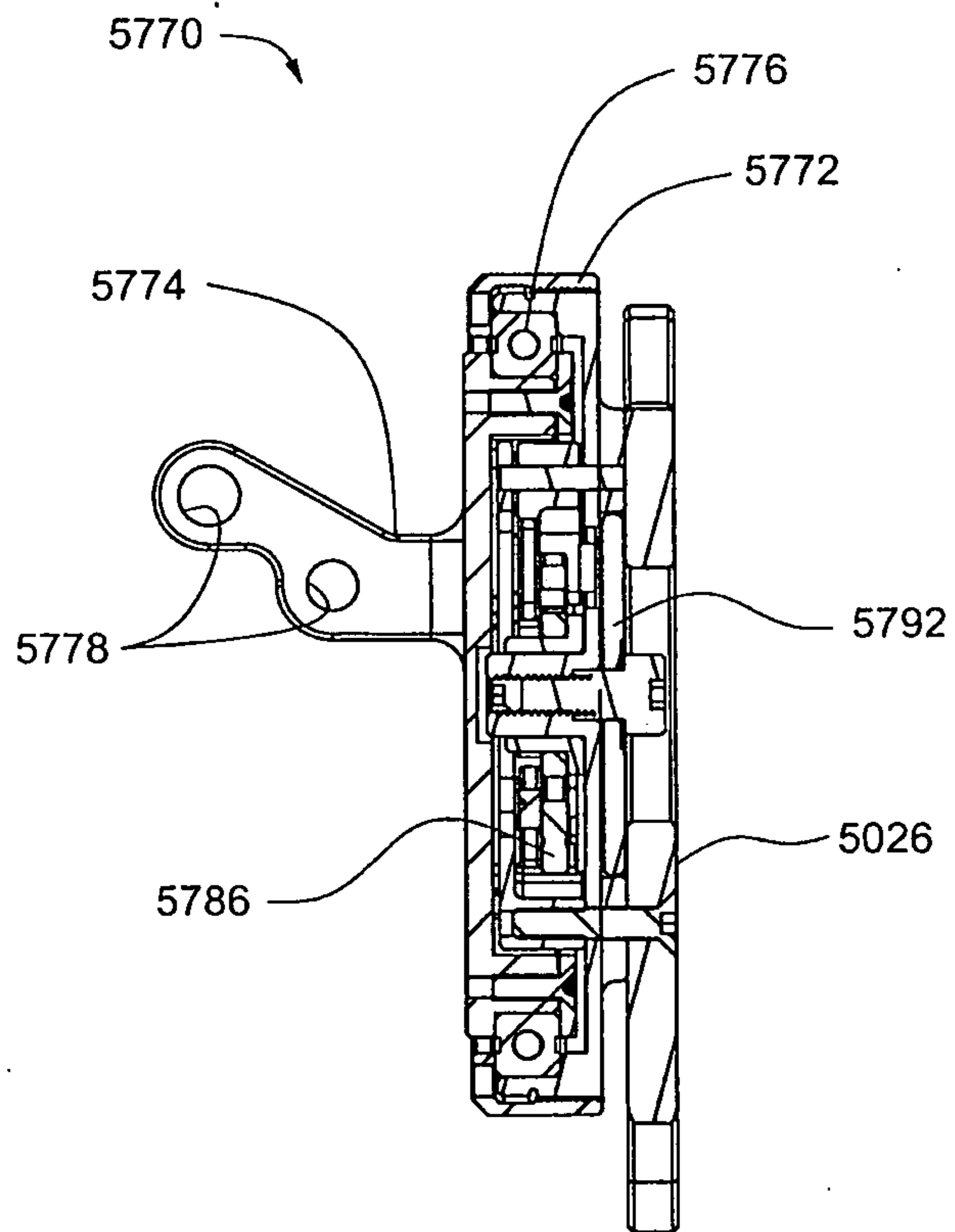


FIG. 47A



McCormick, Paulding & Huber LLP
Title: ARM PROSTHETIC DEVICE
First Named Inventor: Christopher O. Evans
Attorney Docket Number: 7922-0034-1-1WO



47/94

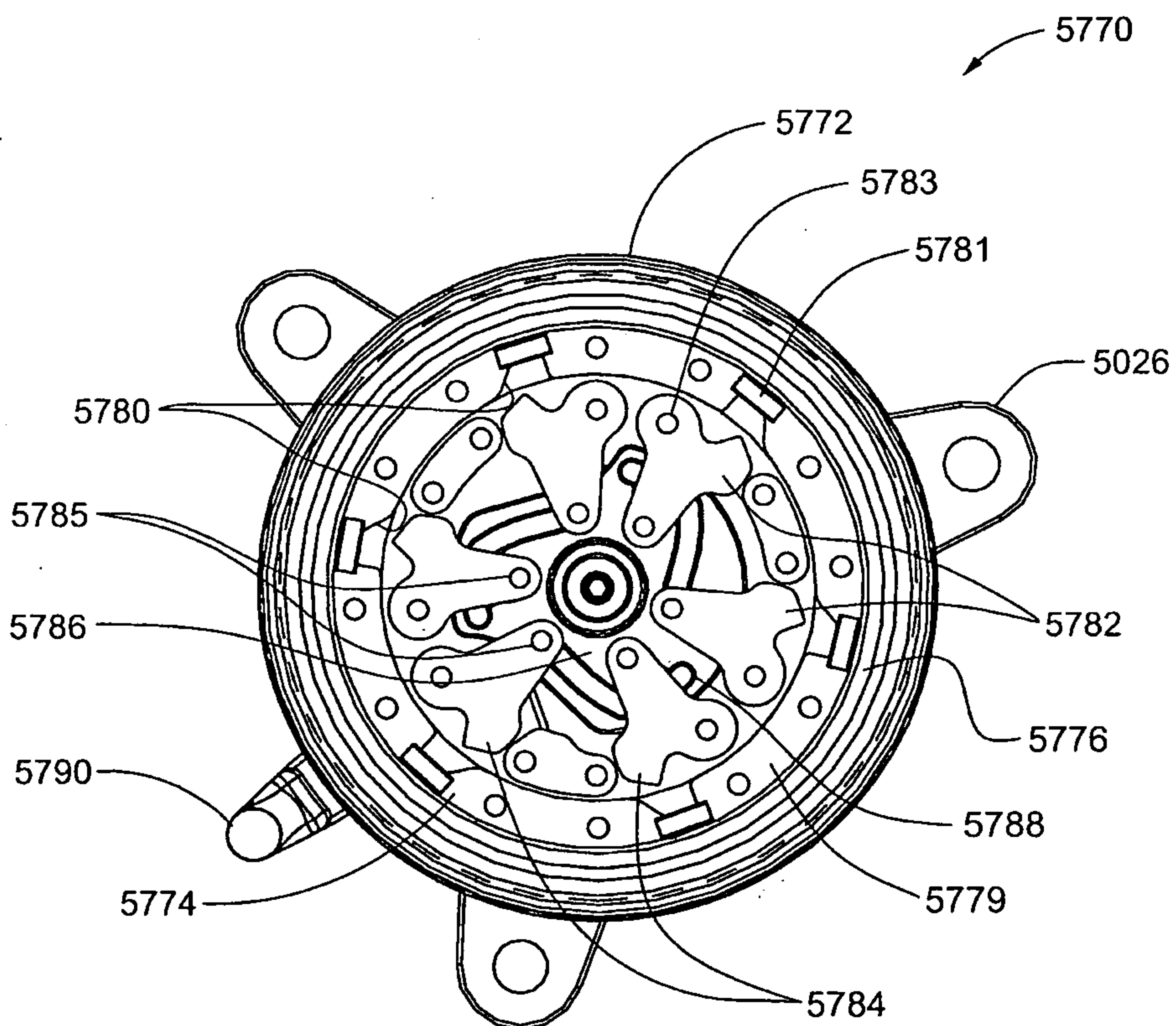


FIG. 47B



McCormick, Paulding & Huber LLP
Title: ARM PROSTHETIC DEVICE
First Named Inventor: Christopher O. Evans
Attorney Docket Number: 7922-0034-1-1WO

48/94

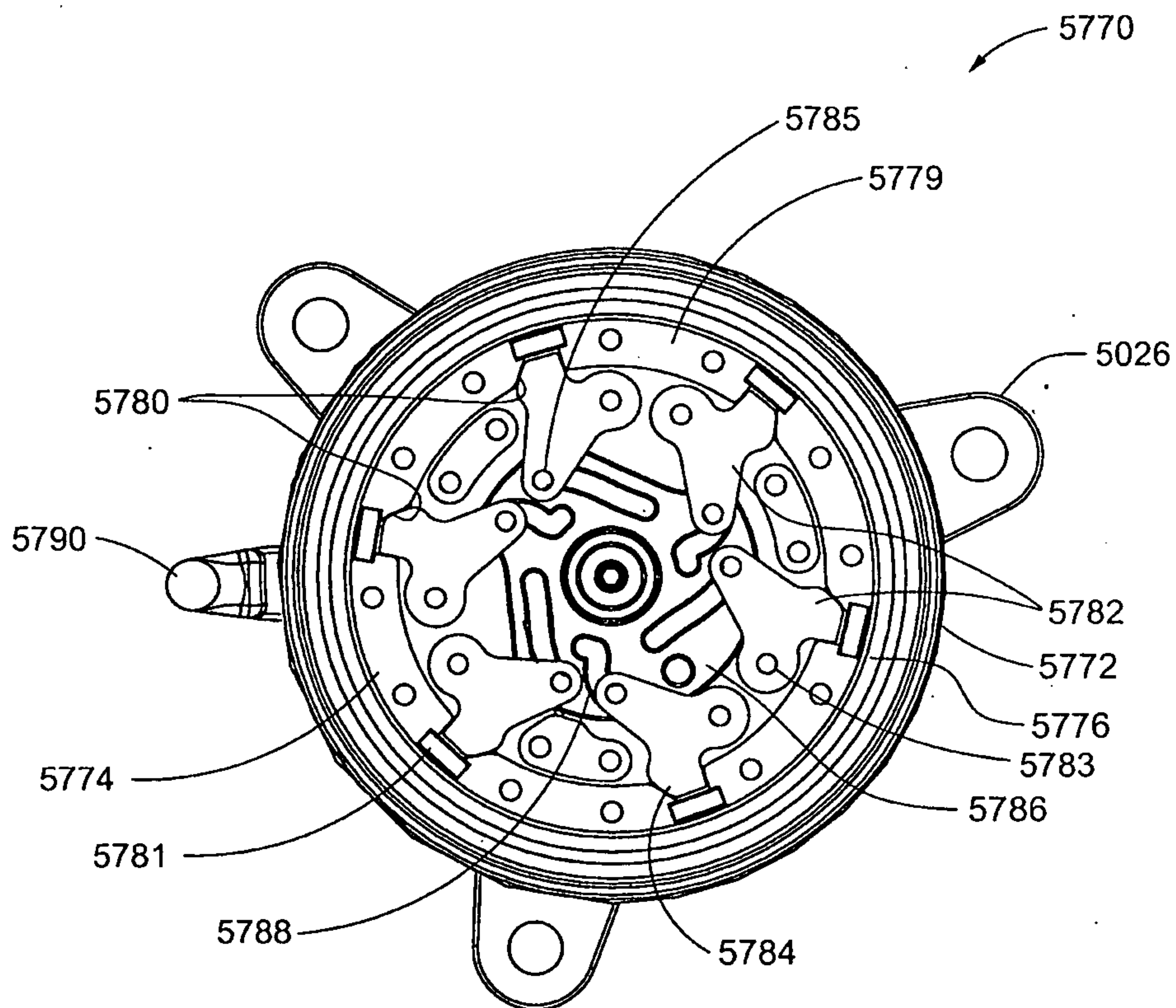


FIG. 47C

+

McCormick, Paulding & Huber LLP
Title: ARM PROSTHETIC DEVICE
First Named Inventor: Christopher O. Evans
Attorney Docket Number: 7922-0034-1-1WO



49/94

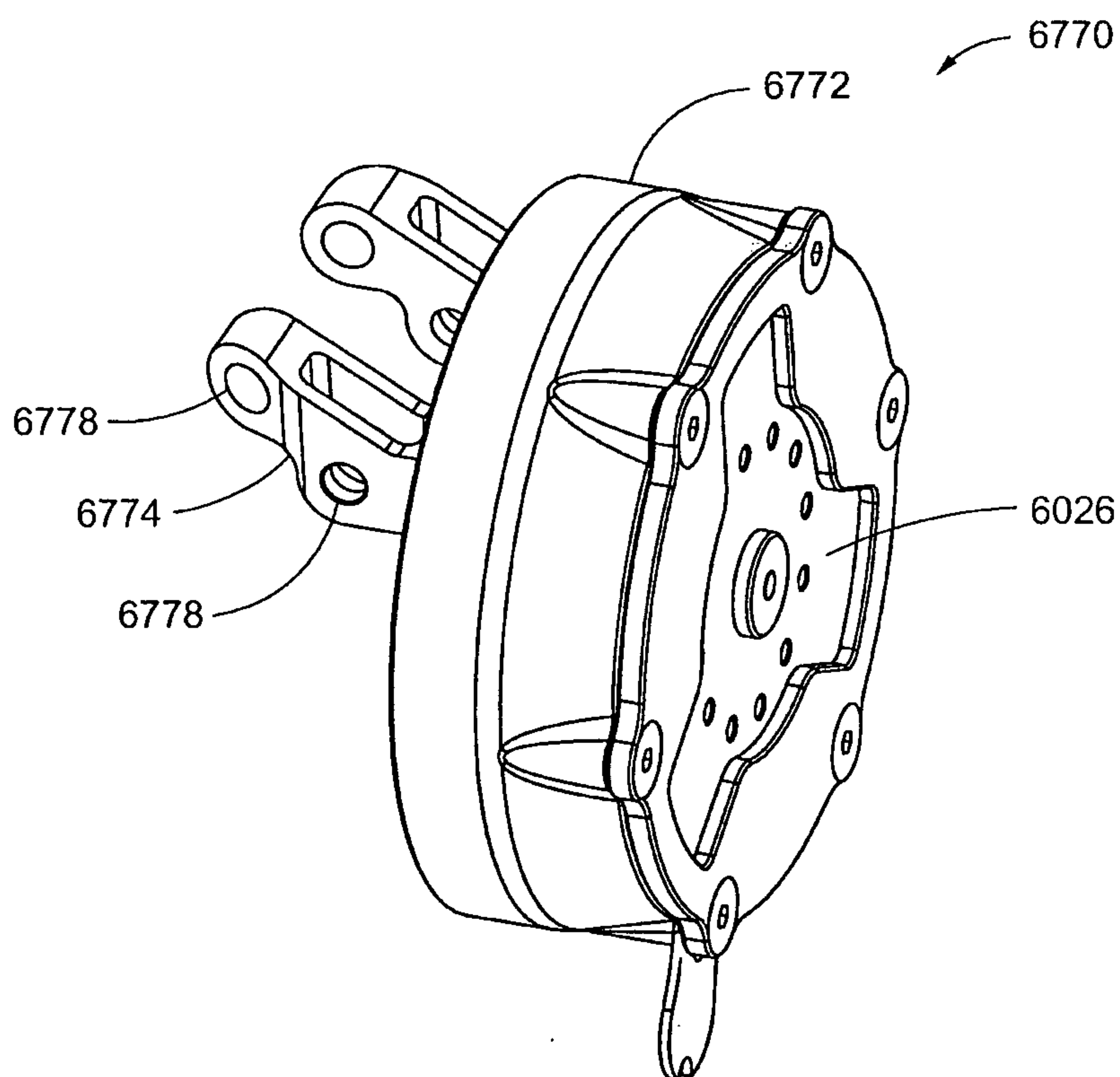
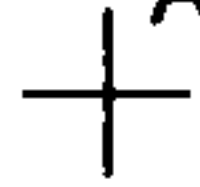


FIG. 48A



McCormick, Paulding & Huber LLP
Title: ARM PROSTHETIC DEVICE
First Named Inventor: Christopher O. Evans
Attorney Docket Number: 7922-0034-1-1WO



50/94

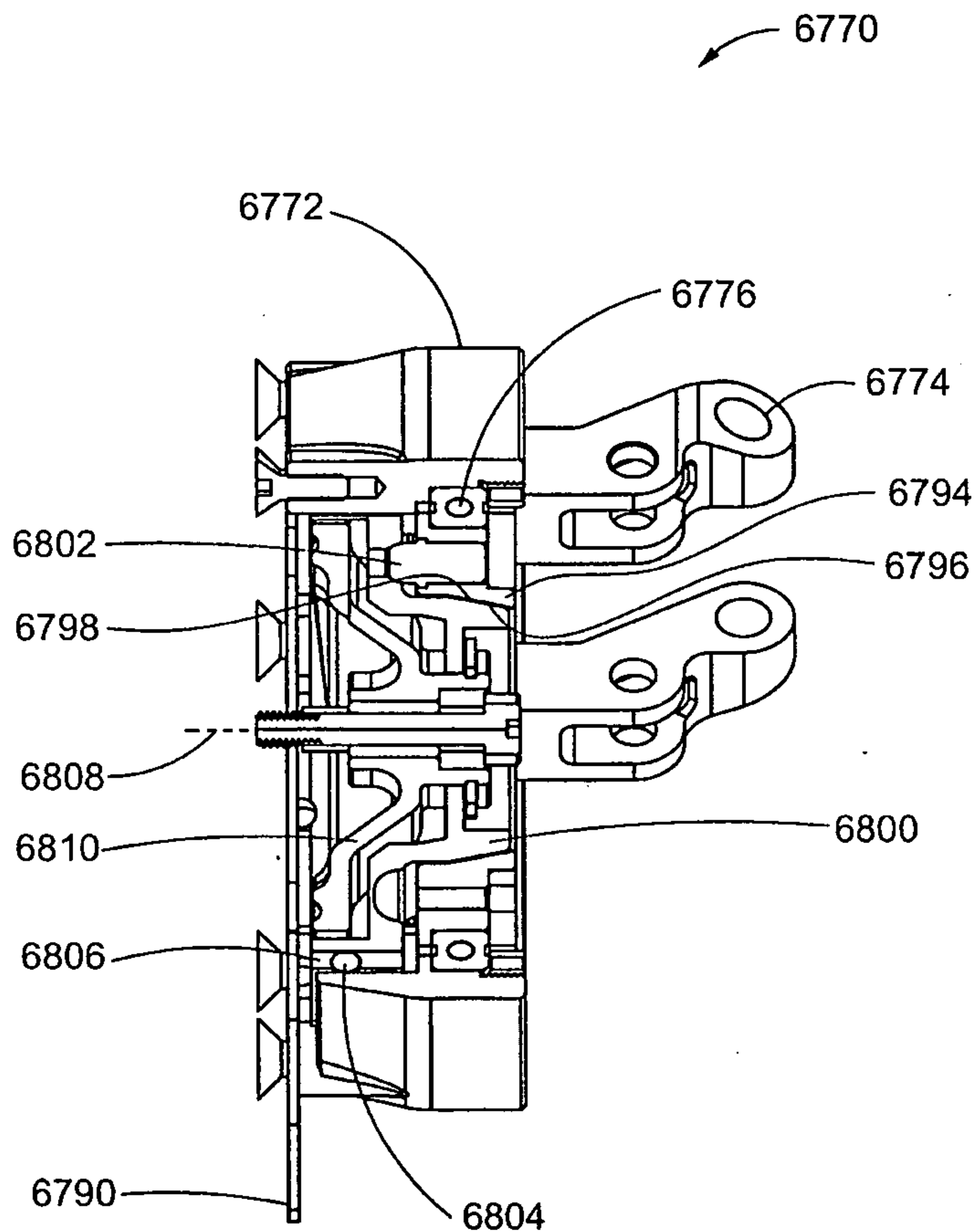


FIG. 48B



McCormick, Paulding & Huber LLP
Title: ARM PROSTHETIC DEVICE
First Named Inventor: Christopher O. Evans
Attorney Docket Number: 7922-0034-1-1WO

+

51/94

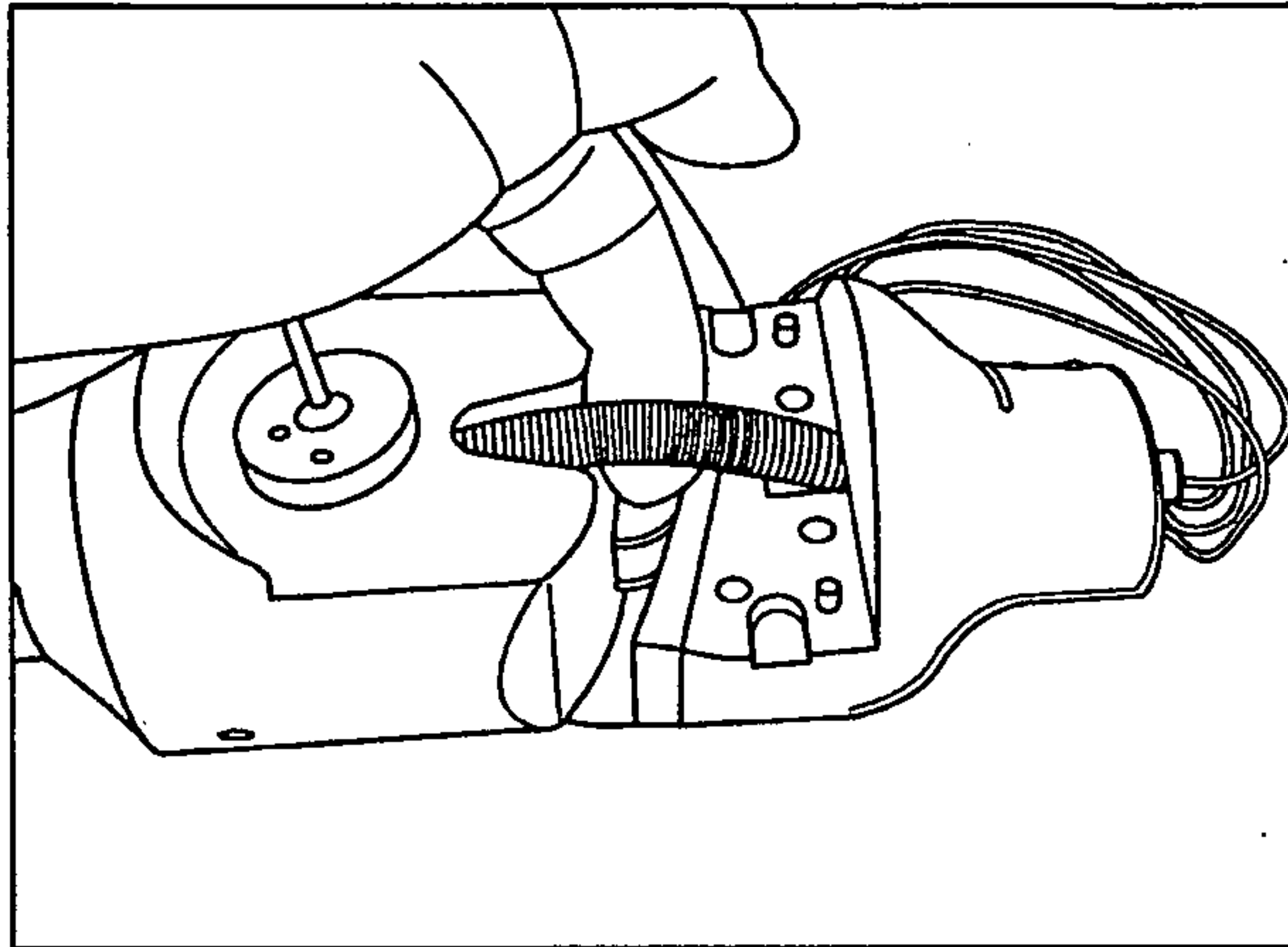


FIG. 50

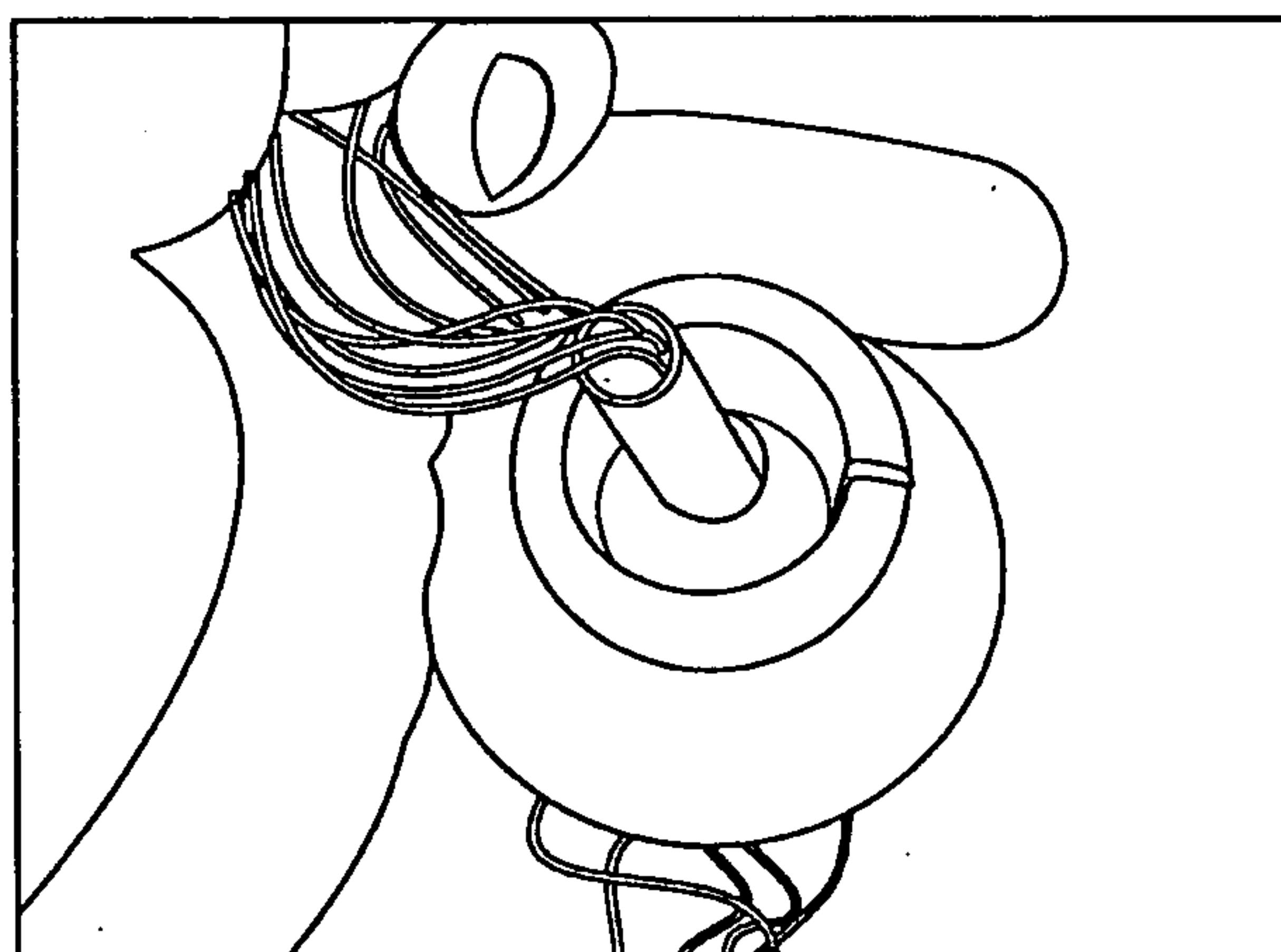


FIG. 51

+

McCormick, Paulding & Huber LLP
Title: ARM PROSTHETIC DEVICE
First Named Inventor: Christopher O. Evans
Attorney Docket Number: 7922-0034-1-1WO

+

52/94

FIG. 52

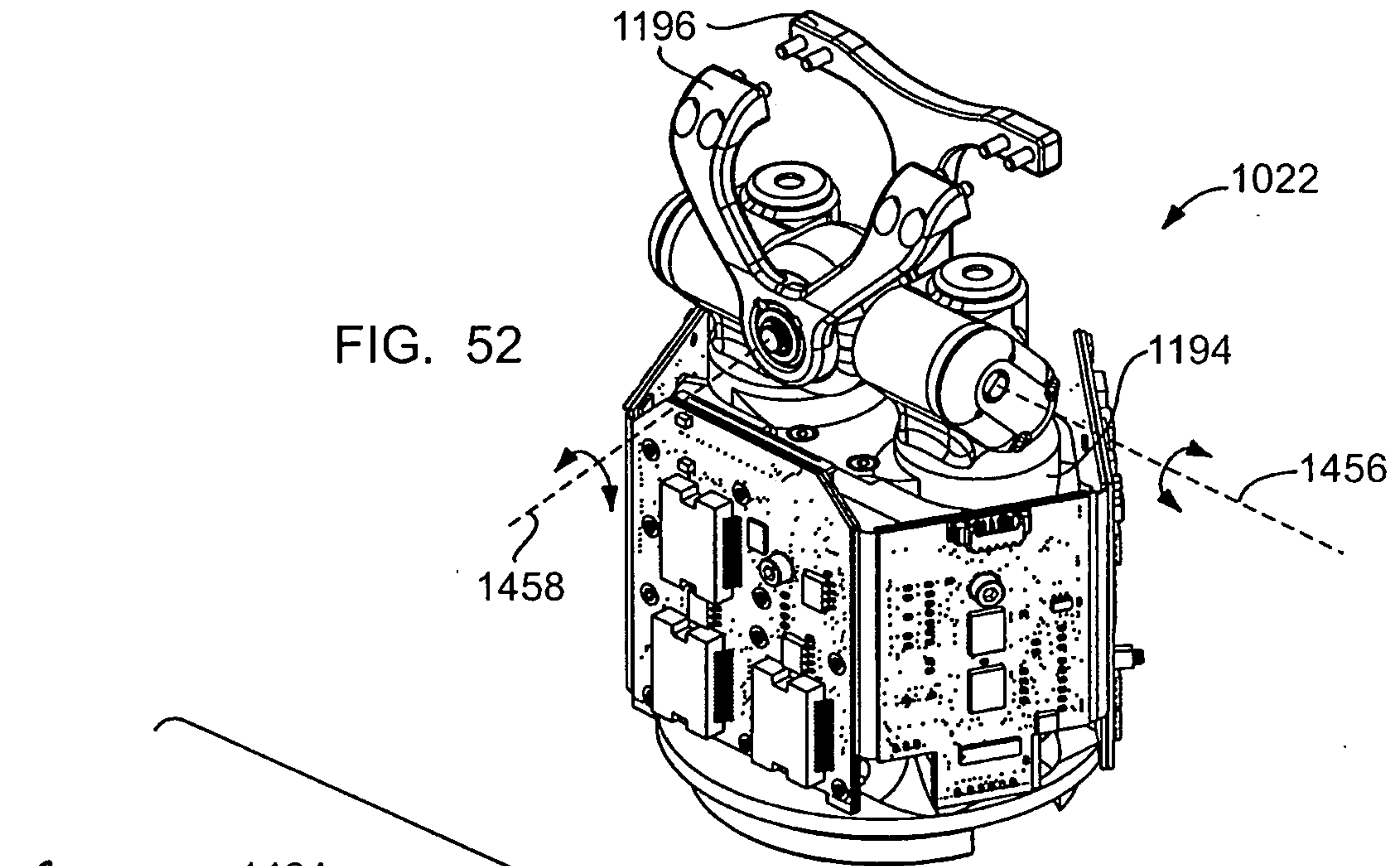
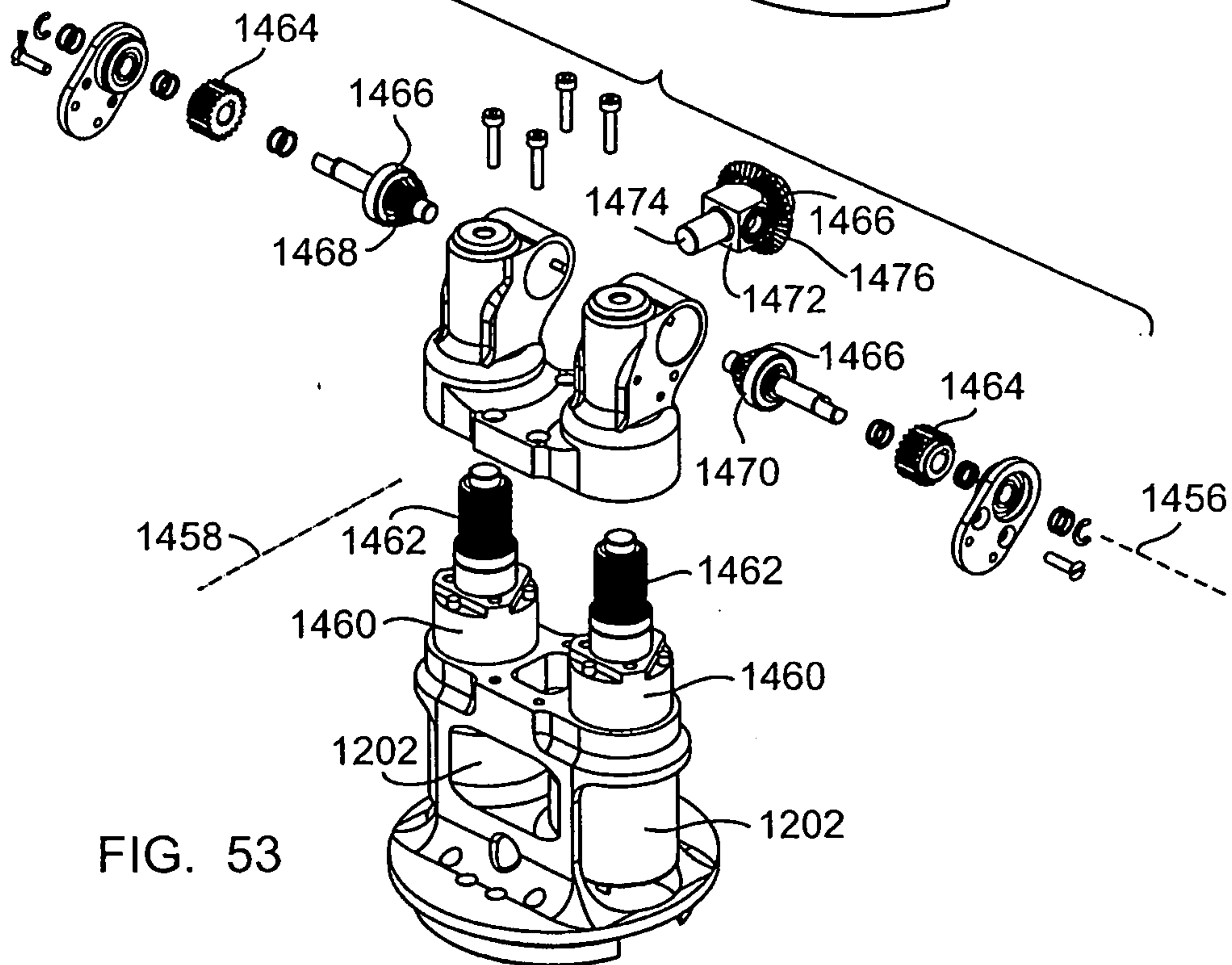


FIG. 53



+

McCormick, Paulding & Huber LLP
Title: ARM PROSTHETIC DEVICE
First Named Inventor: Christopher O. Evans
Attorney Docket Number: 7922-0034-1-1WO

+

53/94

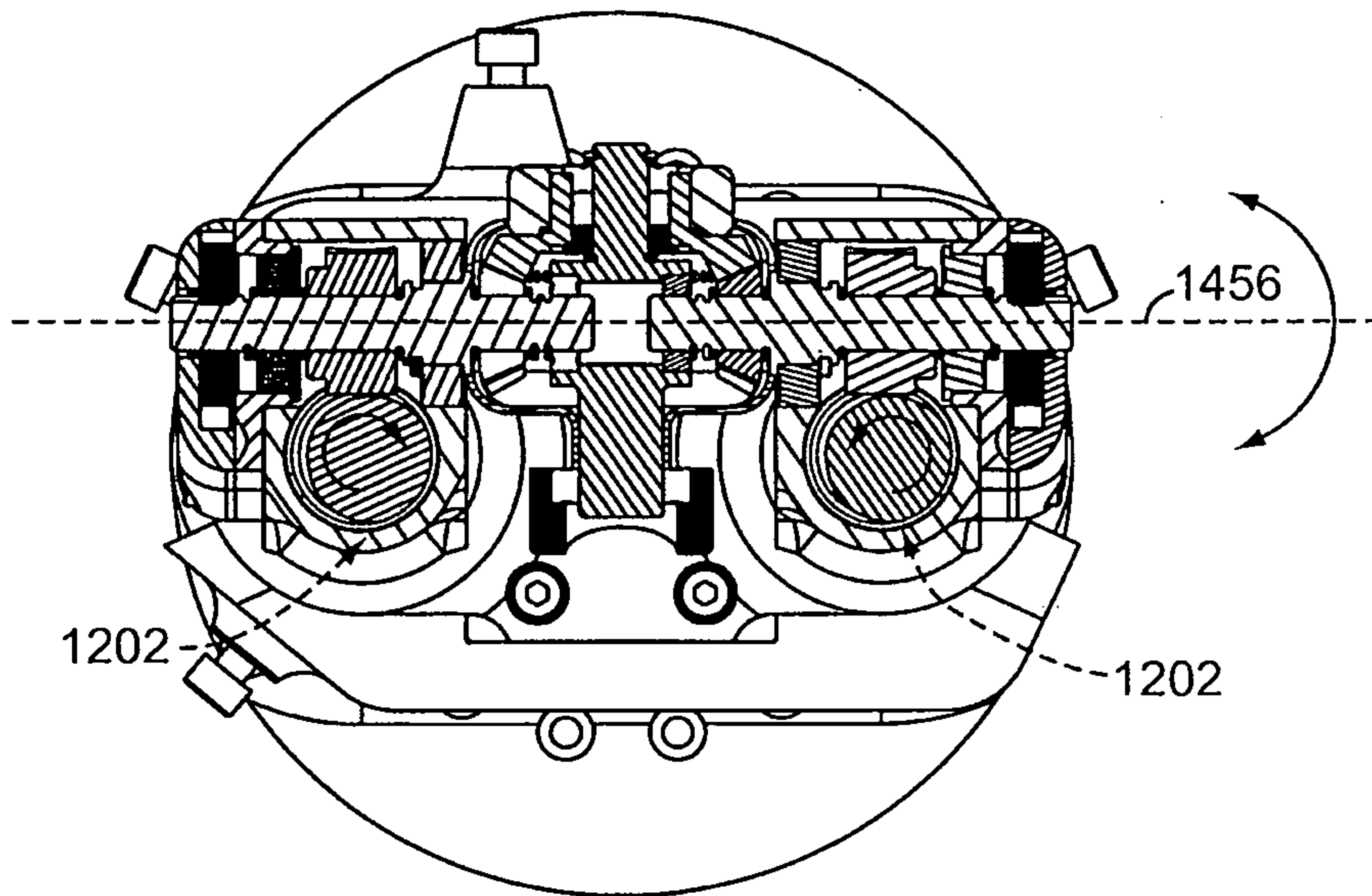


FIG. 54

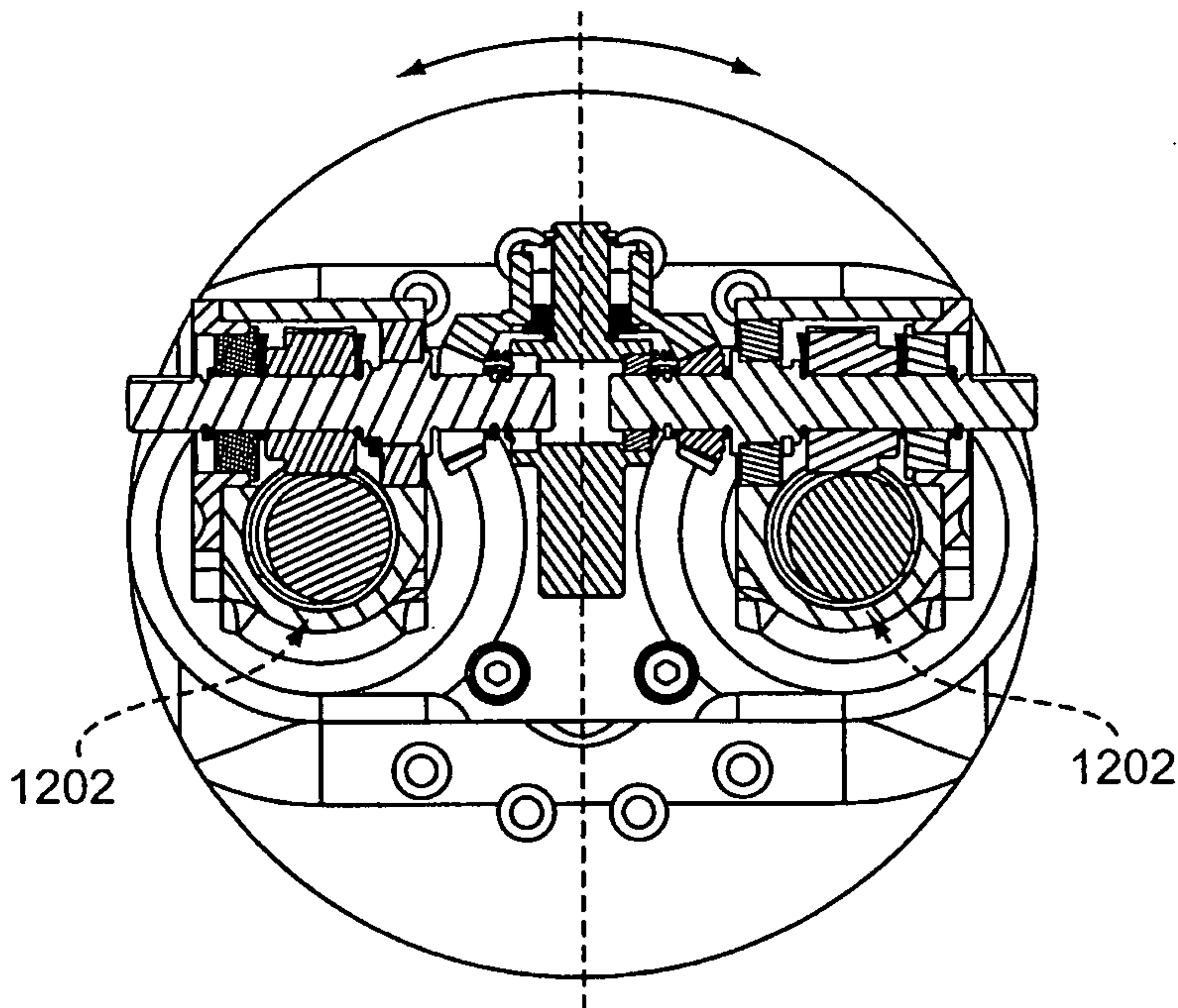


FIG. 55

+

McCormick, Paulding & Huber LLP
Title: ARM PROSTHETIC DEVICE
First Named Inventor: Christopher O. Evans
Attorney Docket Number: 7922-0034-1-1WO

+

54/94

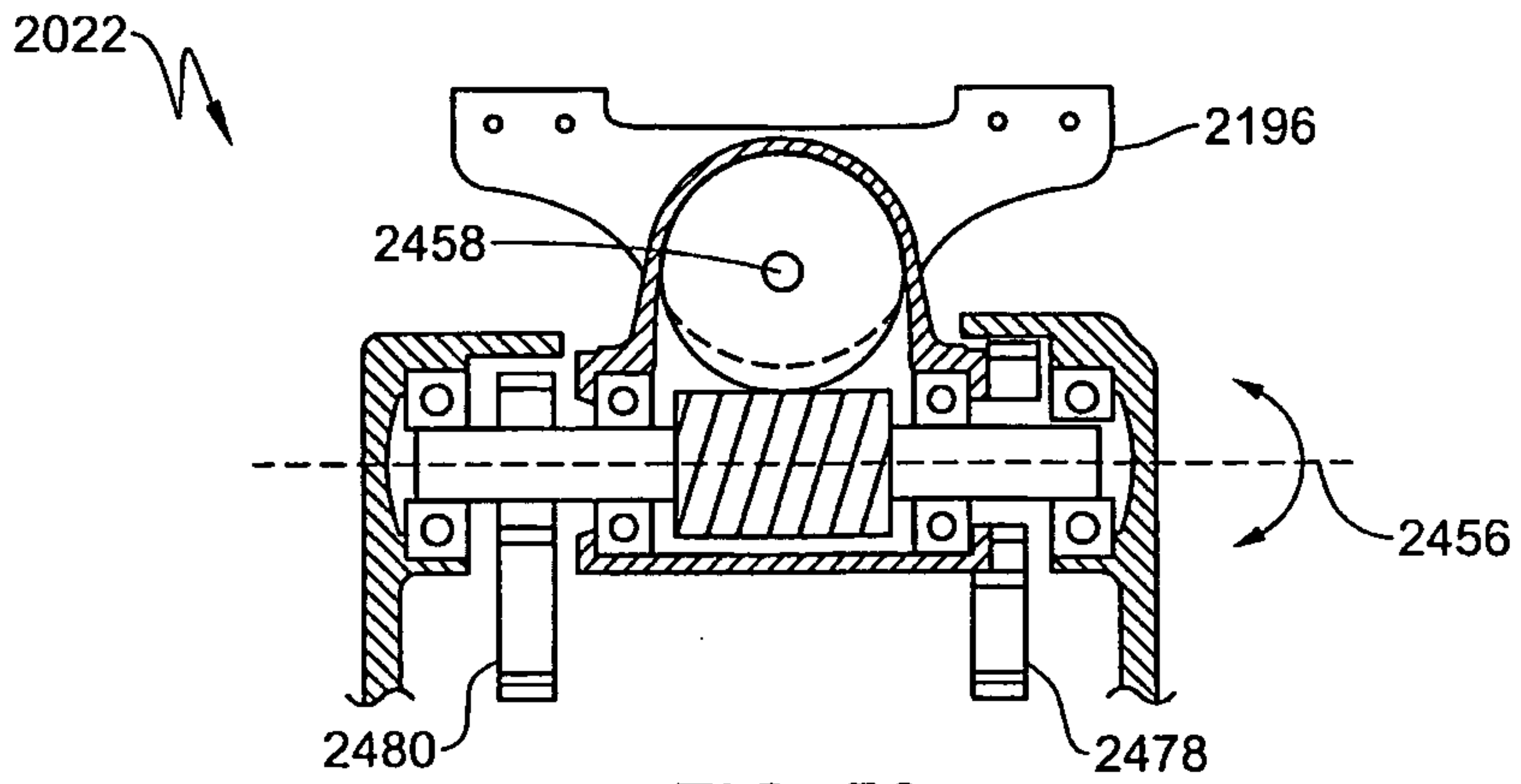


FIG. 56

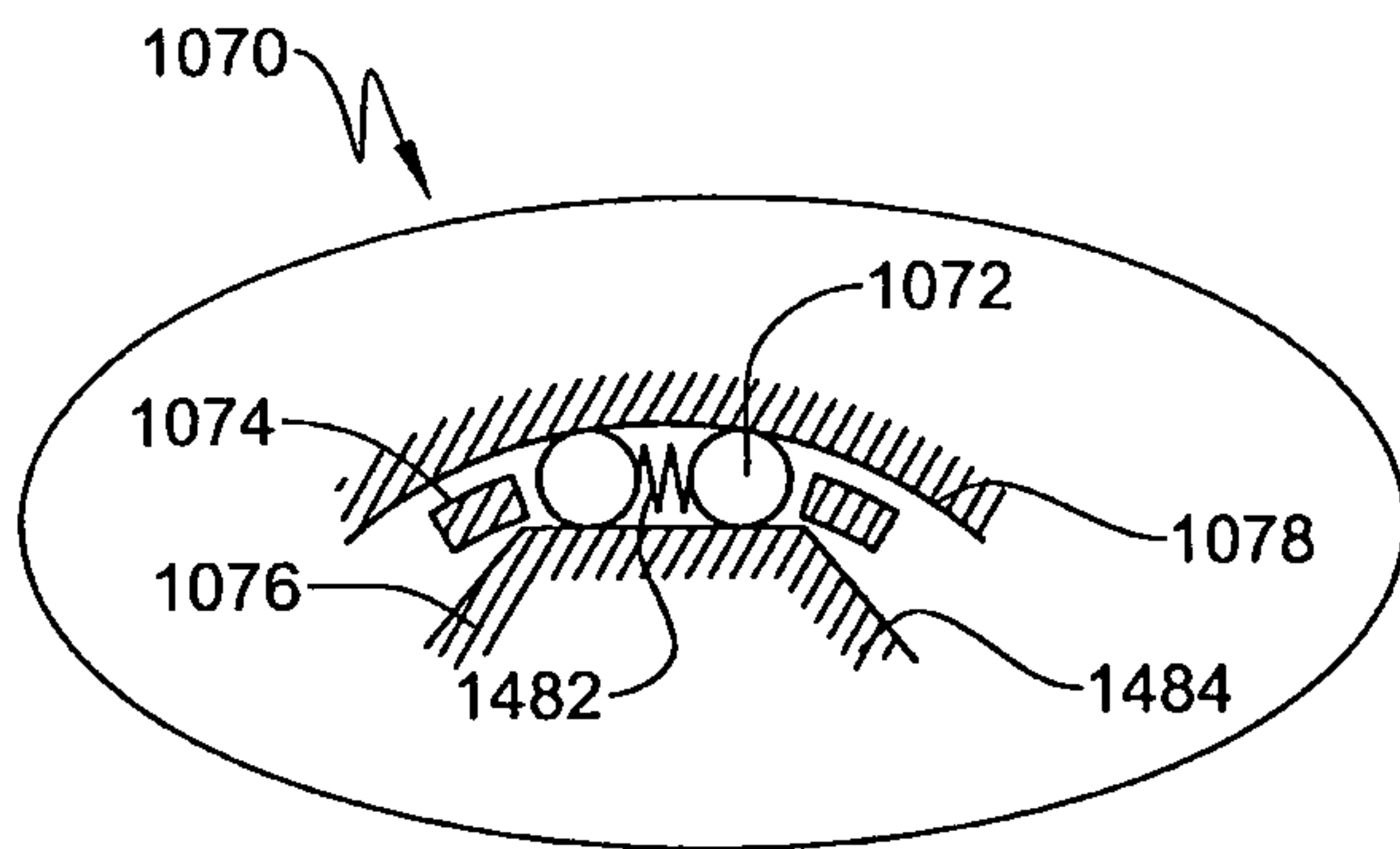


FIG. 57A

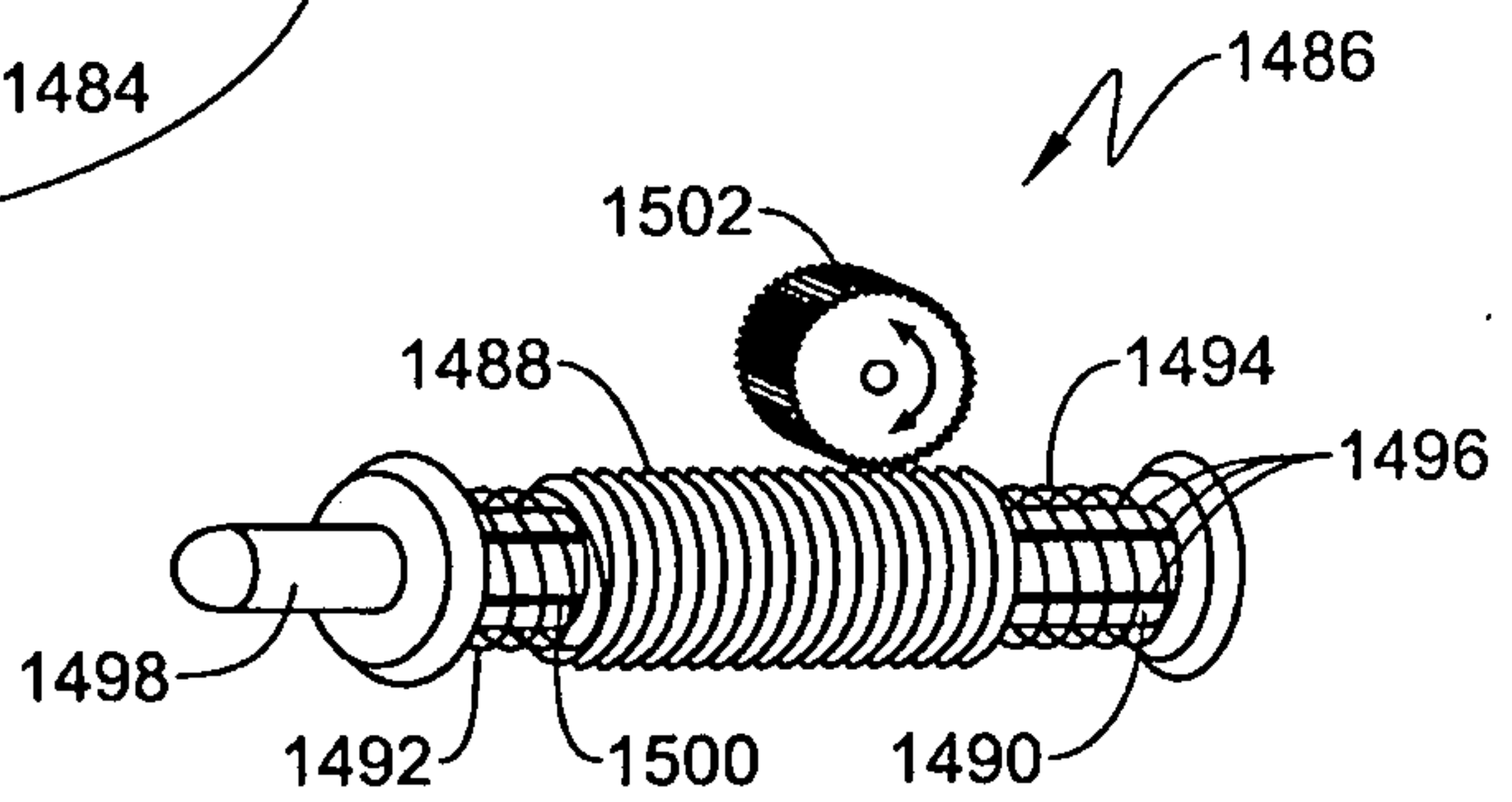


FIG. 59

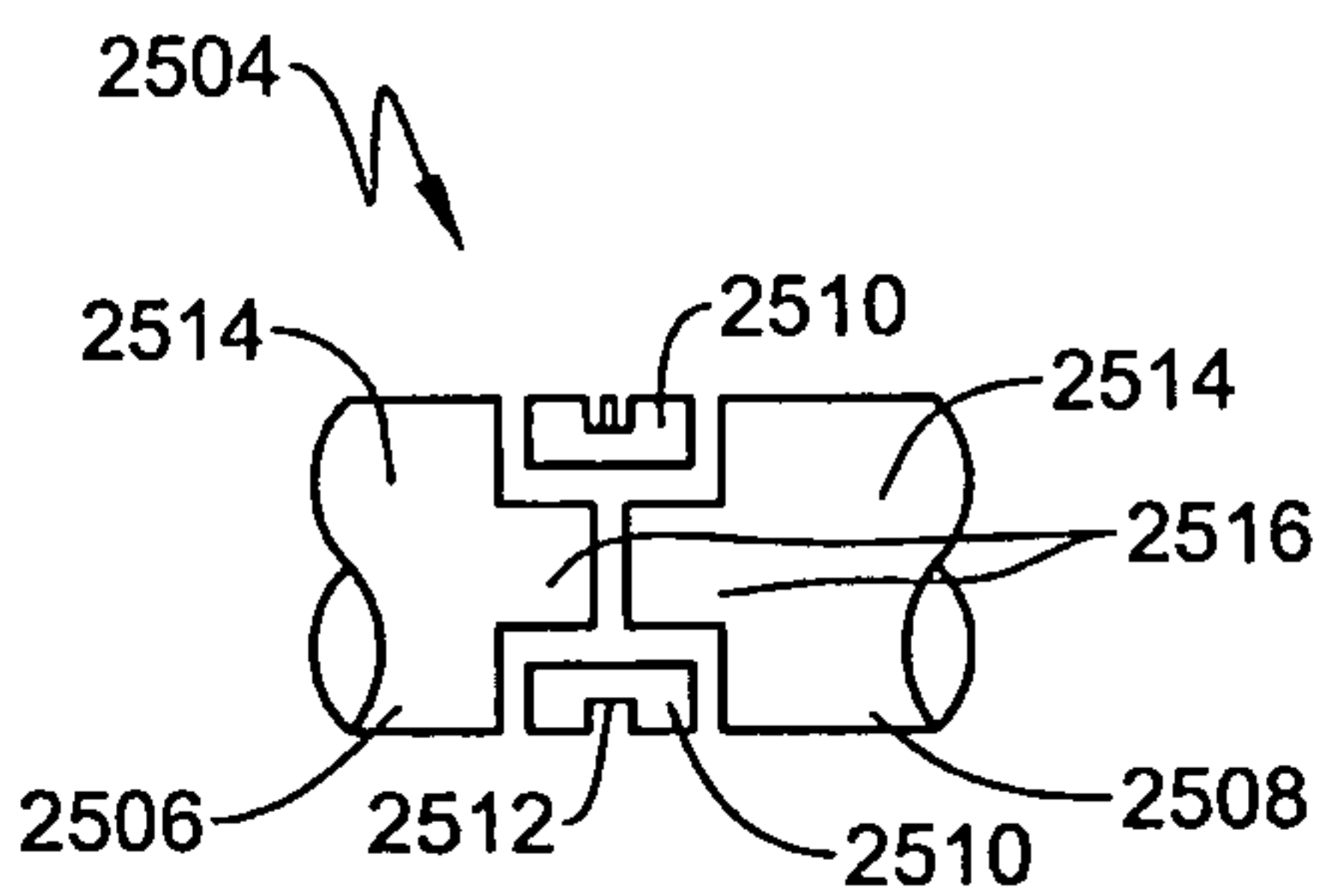


FIG. 60A

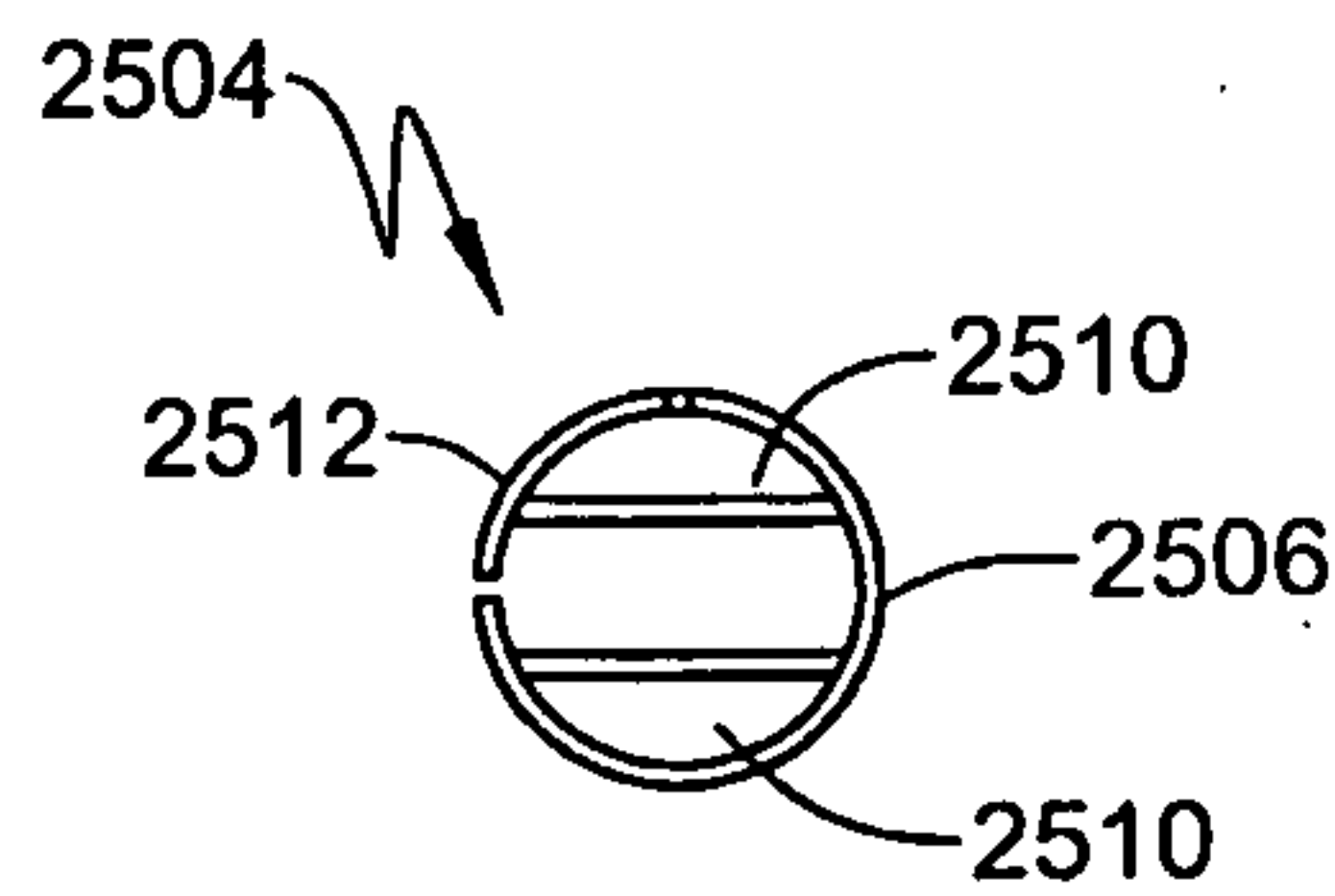


FIG. 60B

+

McCormick, Paulding & Huber LLP
Title: ARM PROSTHETIC DEVICE
First Named Inventor: Christopher O. Evans
Attorney Docket Number: 7922-0034-1-1WO

+

55/94

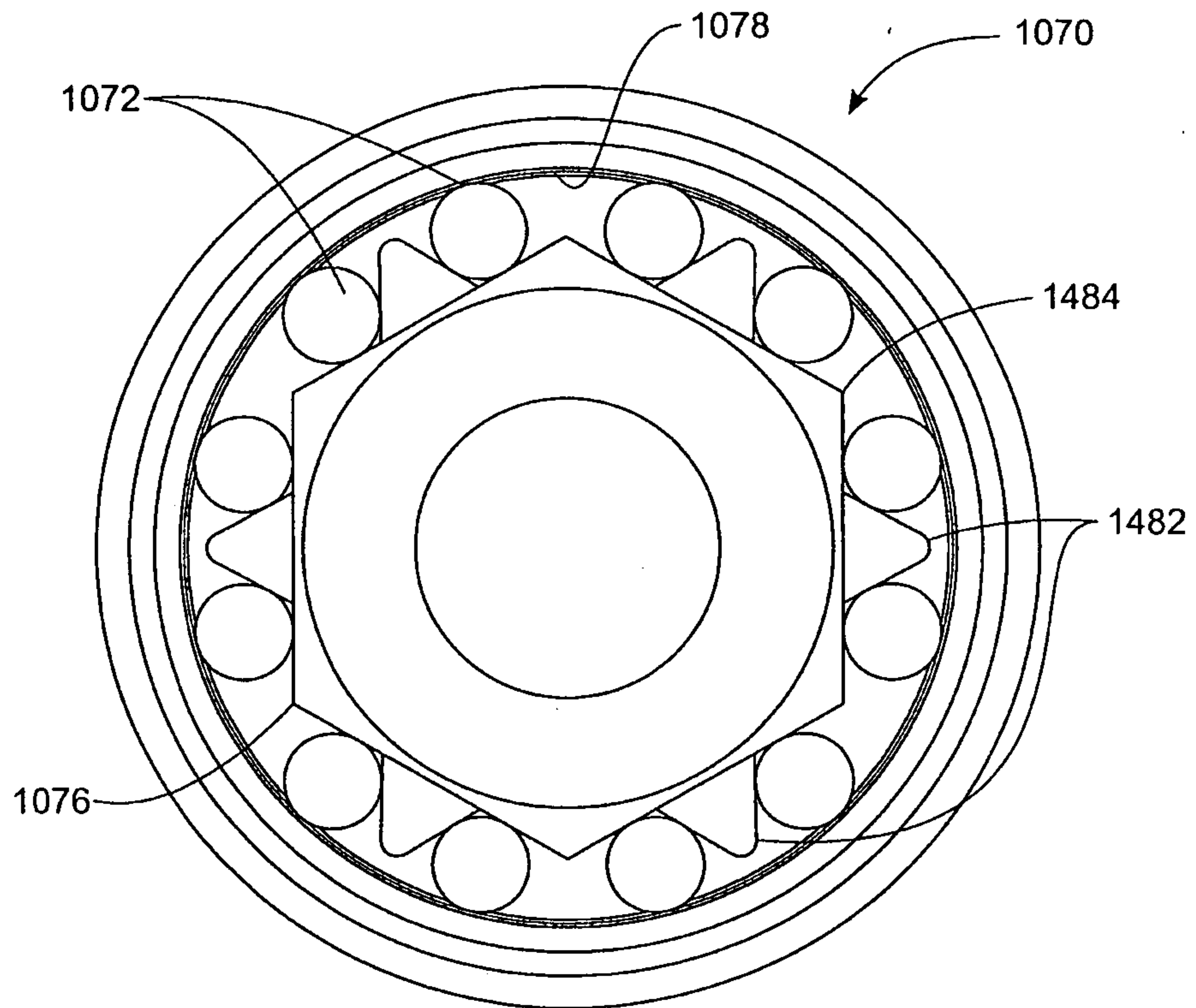


FIG. 57B

+

McCormick, Paulding & Huber LLP
Title: ARM PROSTHETIC DEVICE
First Named Inventor: Christopher O. Evans
Attorney Docket Number: 7922-0034-1-1WO

+

56/94

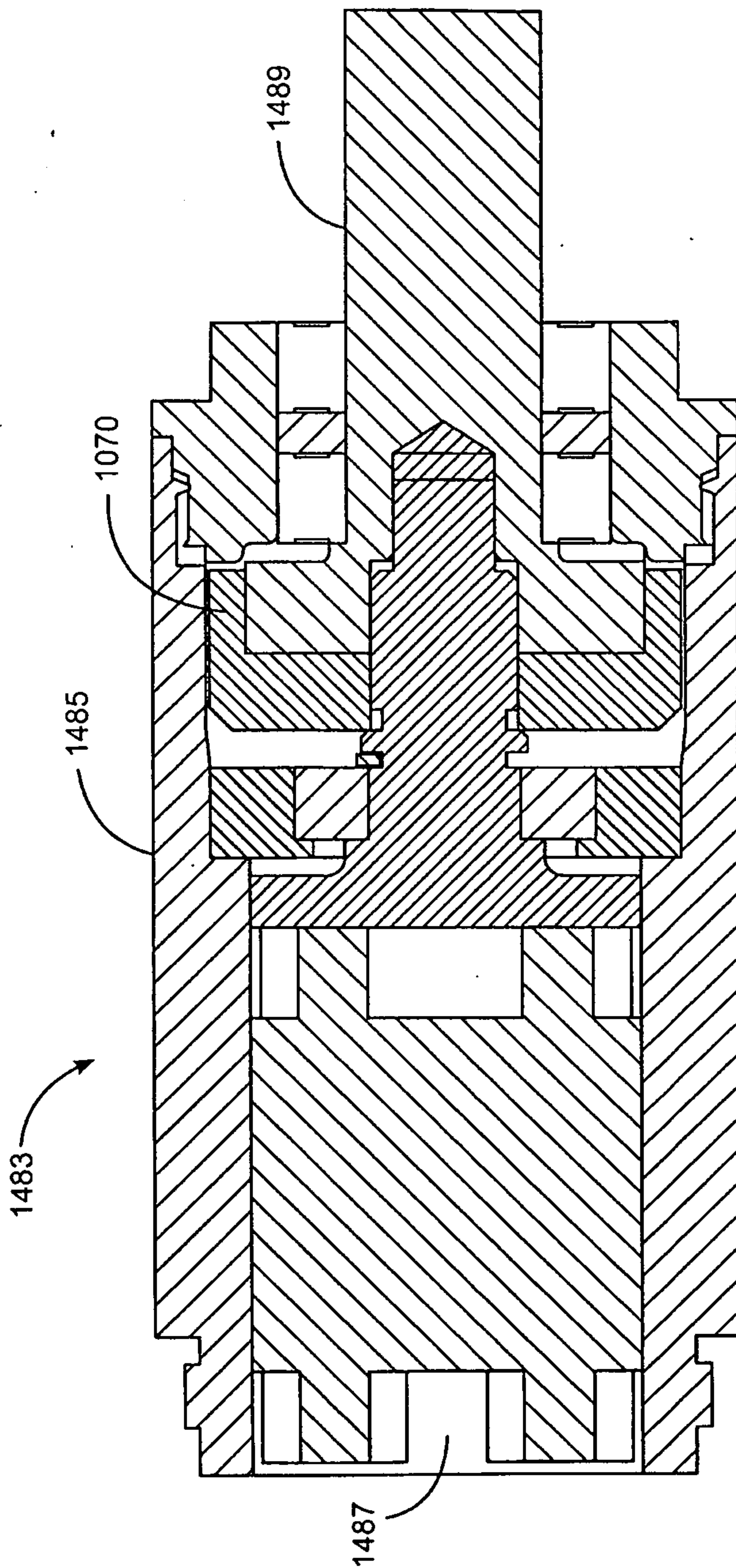


FIG. 57C

+

McCormick, Paulding & Huber LLP
Title: ARM PROSTHETIC DEVICE
First Named Inventor: Christopher O. Evans
Attorney Docket Number: 7922-0034-1-1WO

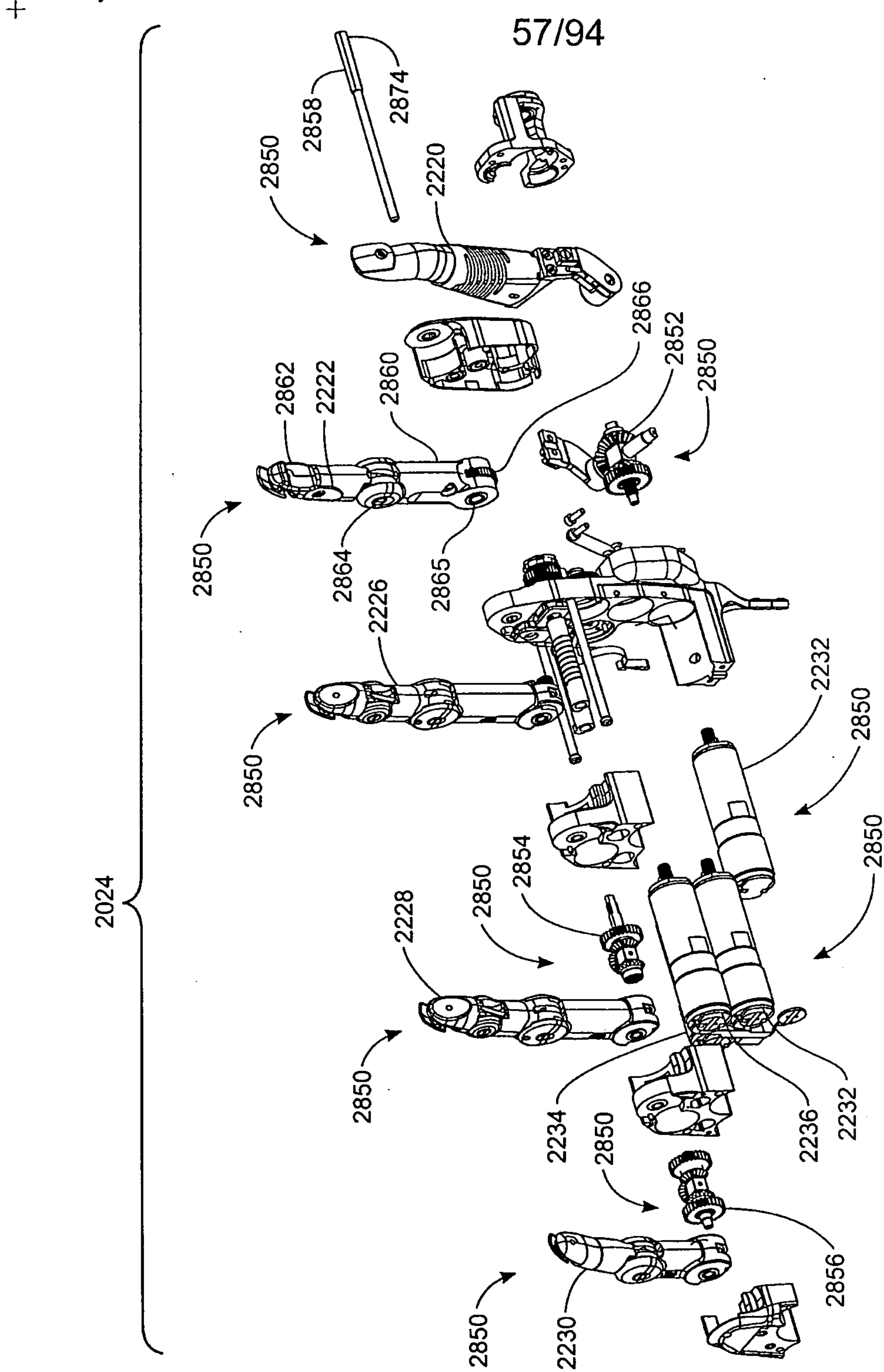


FIG. 58A

+

McCormick, Paulding & Huber LLP
Title: ARM PROSTHETIC DEVICE
First Named Inventor: Christopher O. Evans
Attorney Docket Number: 7922-0034-1-1WO

+

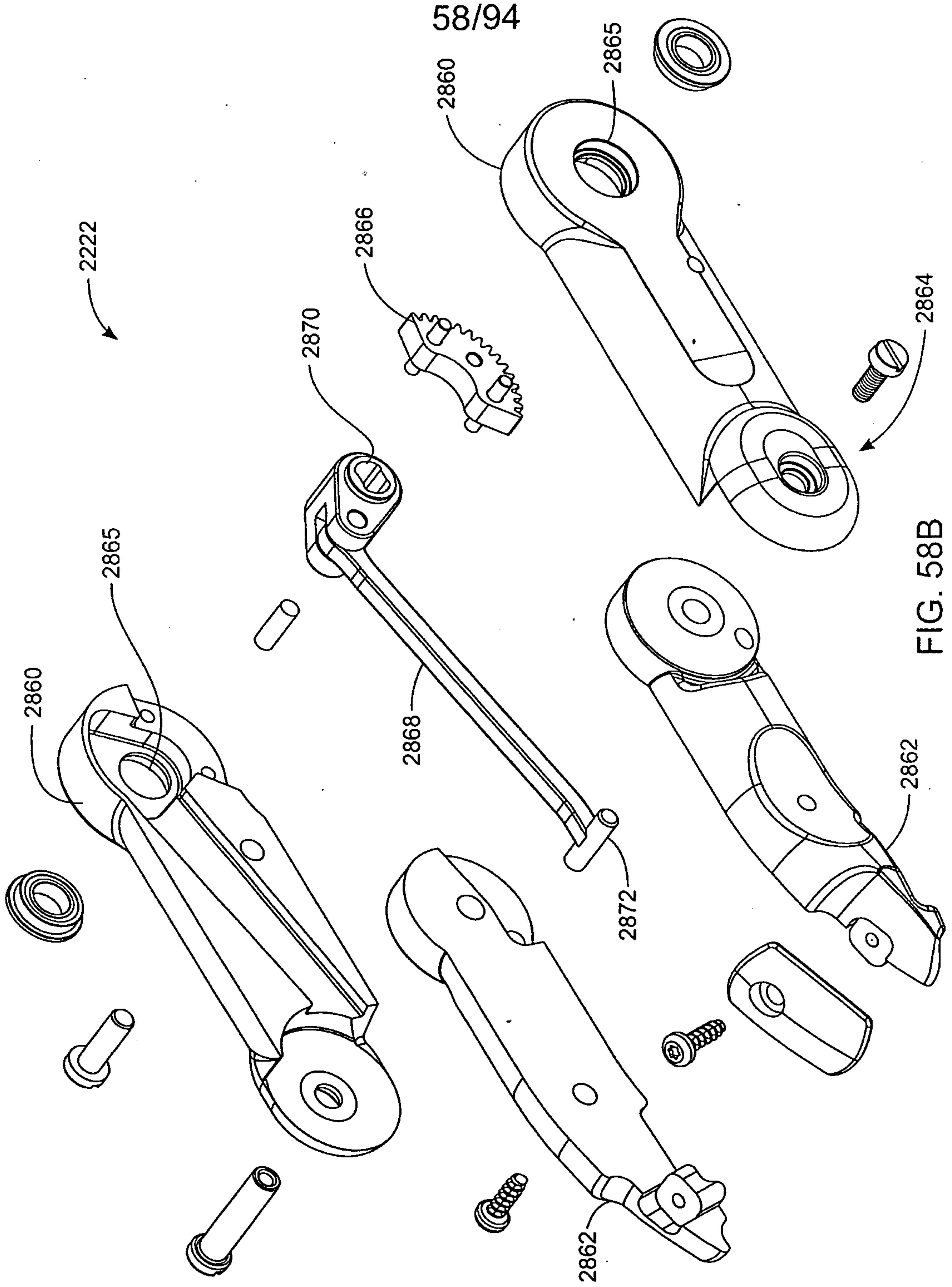


FIG. 58B

+

McCormick, Paulding & Huber LLP
Title: ARM PROSTHETIC DEVICE
First Named Inventor: Christopher O. Evans
Attorney Docket Number: 7922-0034-1-1WO

+

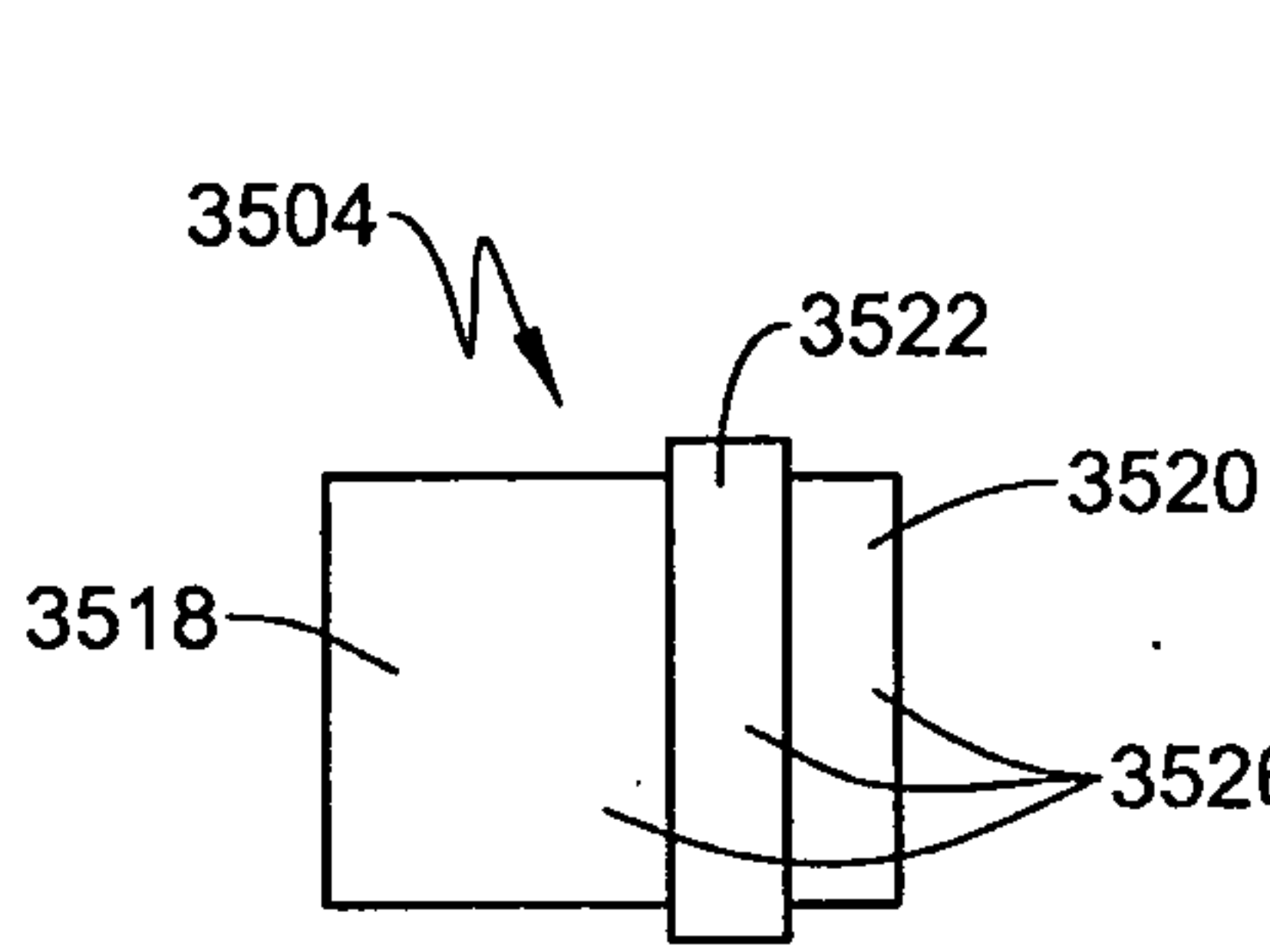


FIG. 61A

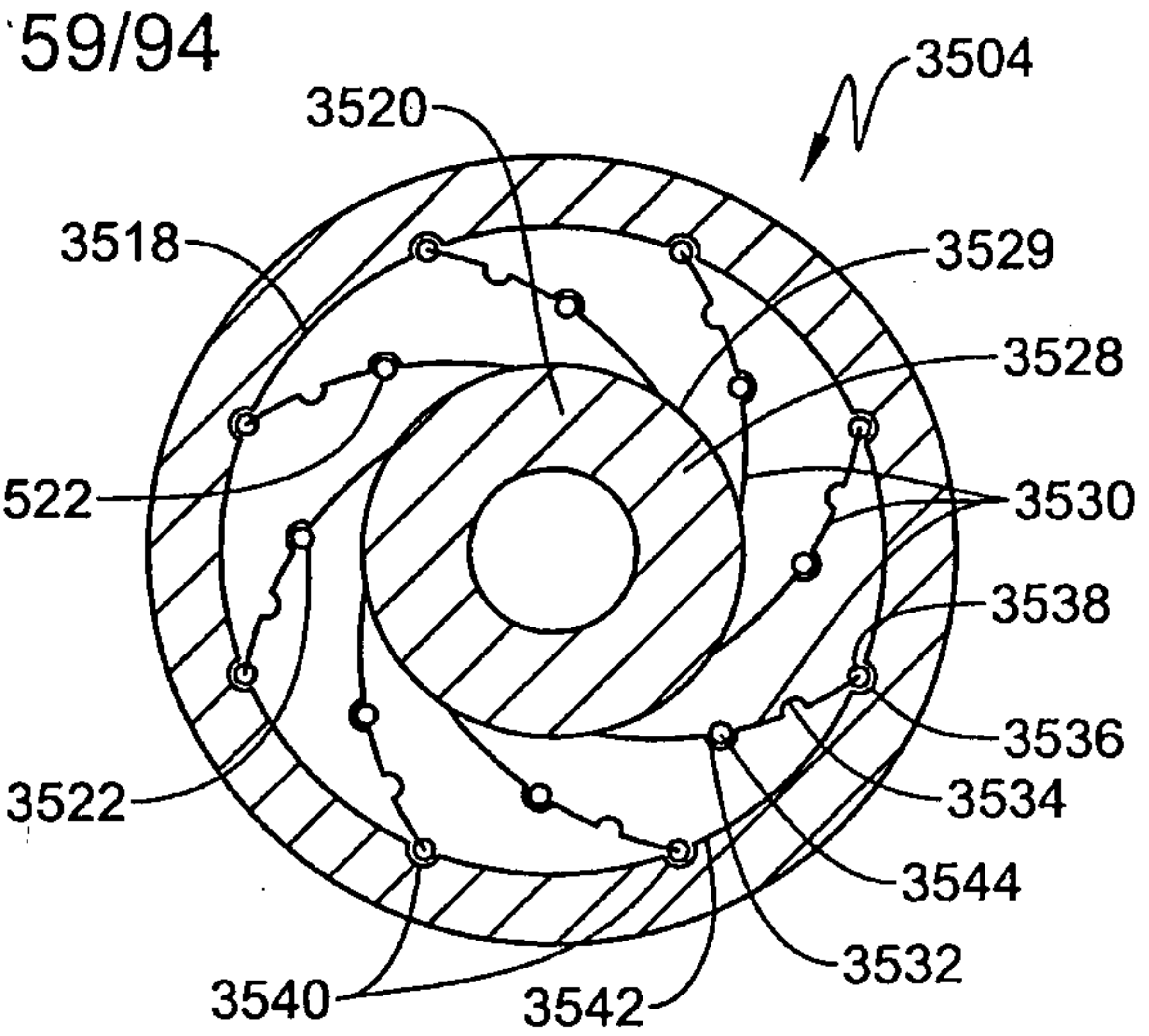


FIG. 61B

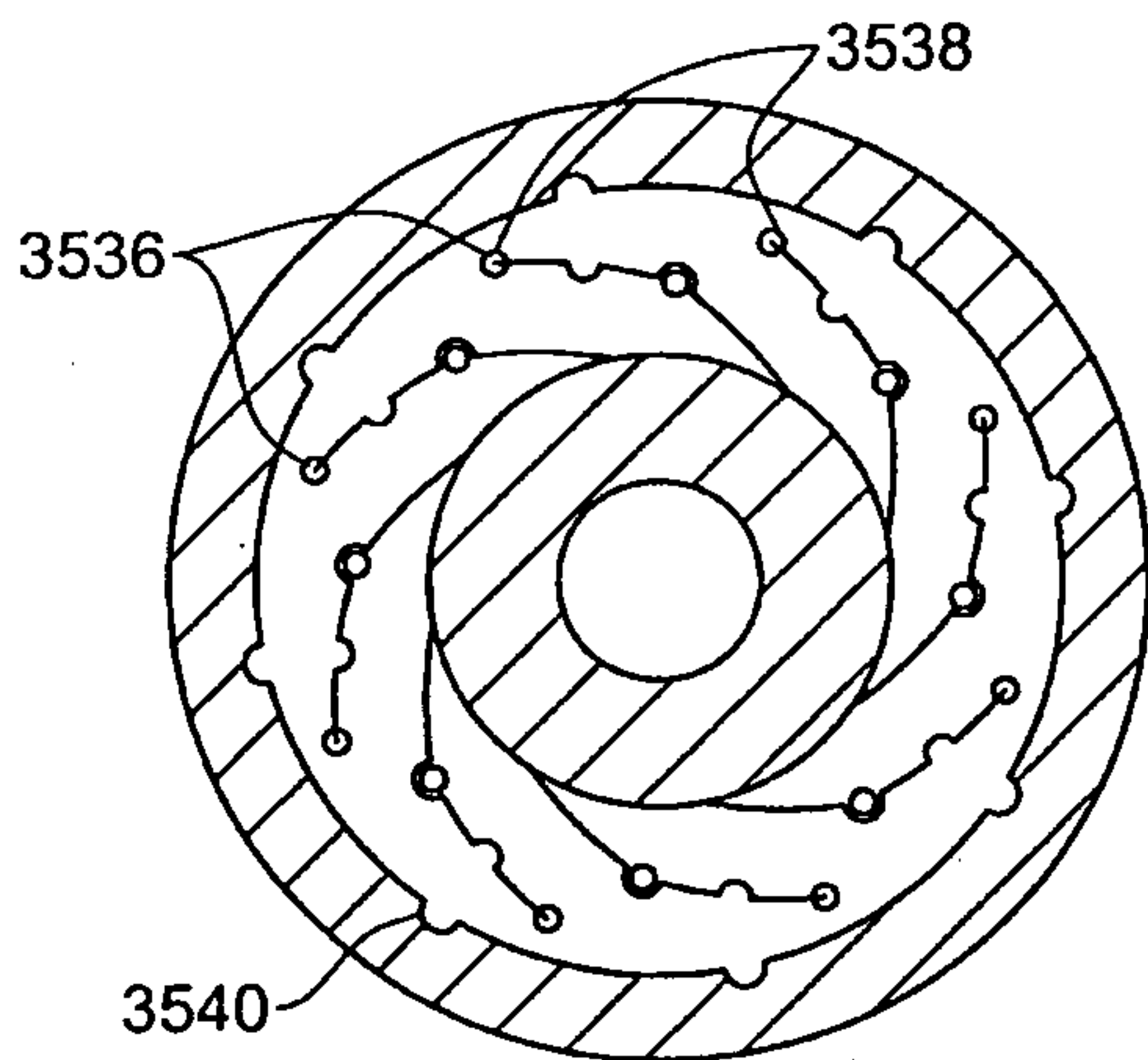


FIG. 62A

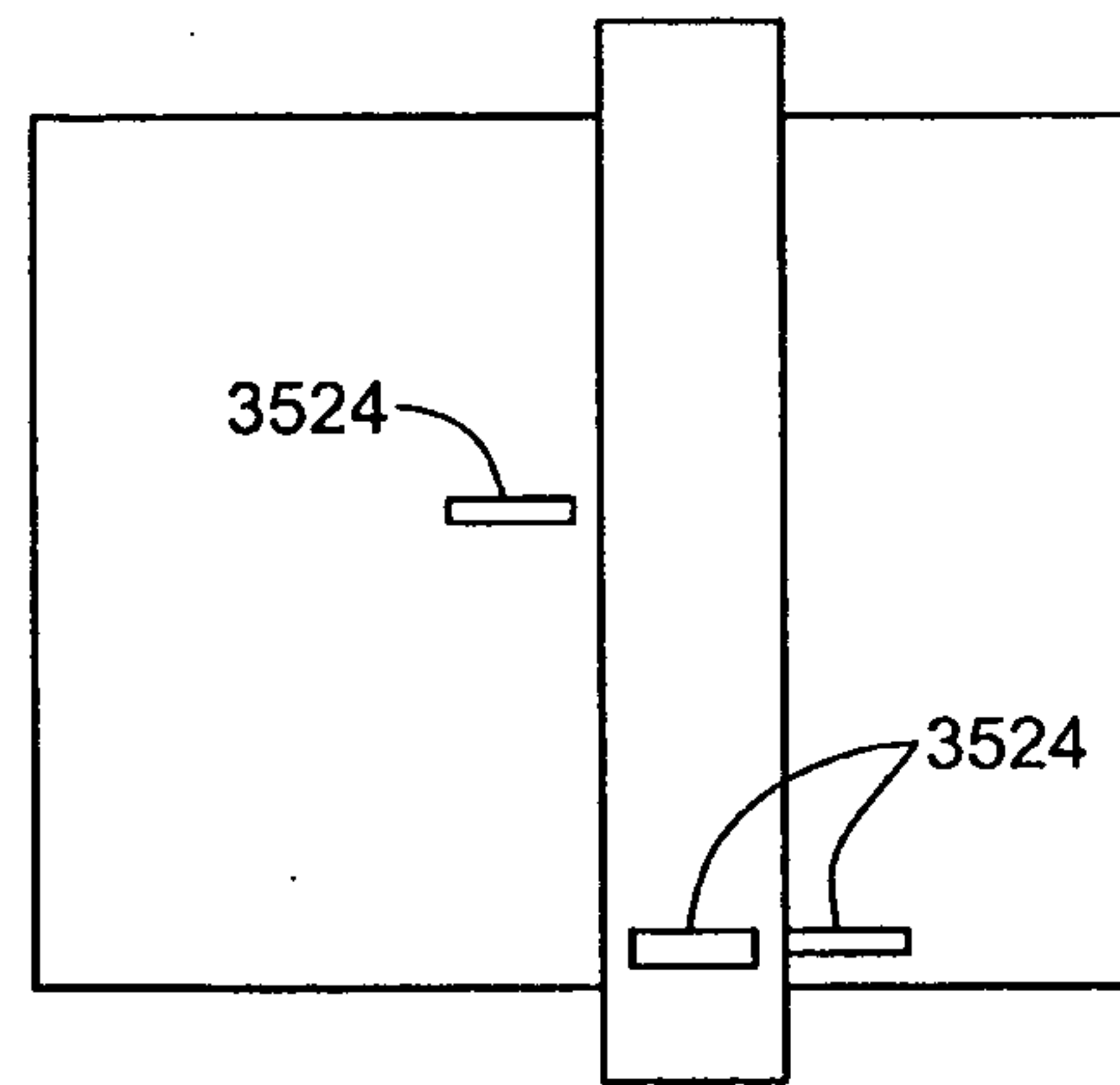


FIG. 62B

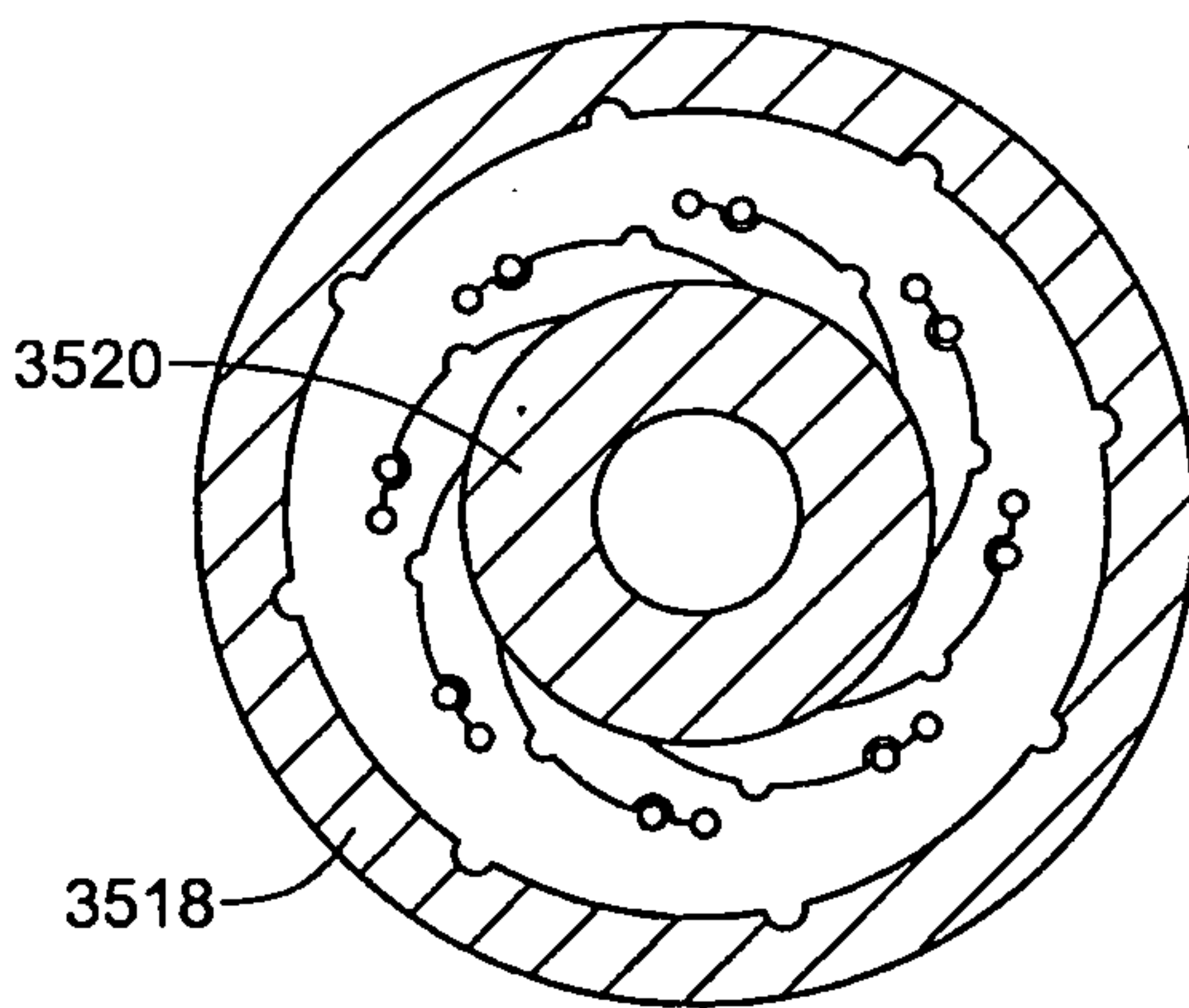


FIG. 63A

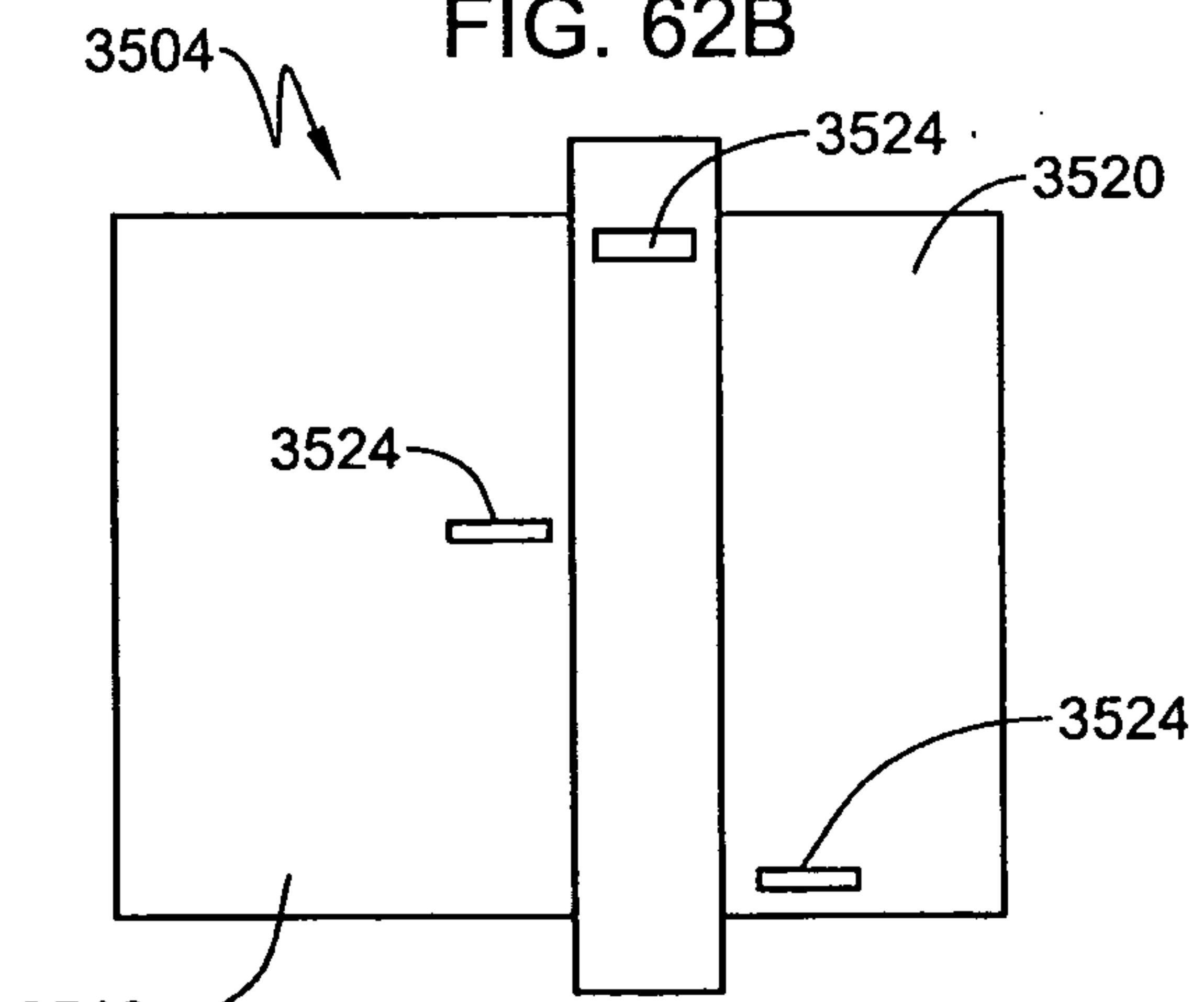


FIG. 63B

+

McCormick, Paulding & Huber LLP
Title: ARM PROSTHETIC DEVICE
First Named Inventor: Christopher O. Evans
Attorney Docket Number: 7922-0034-1-1WO

+

60/94

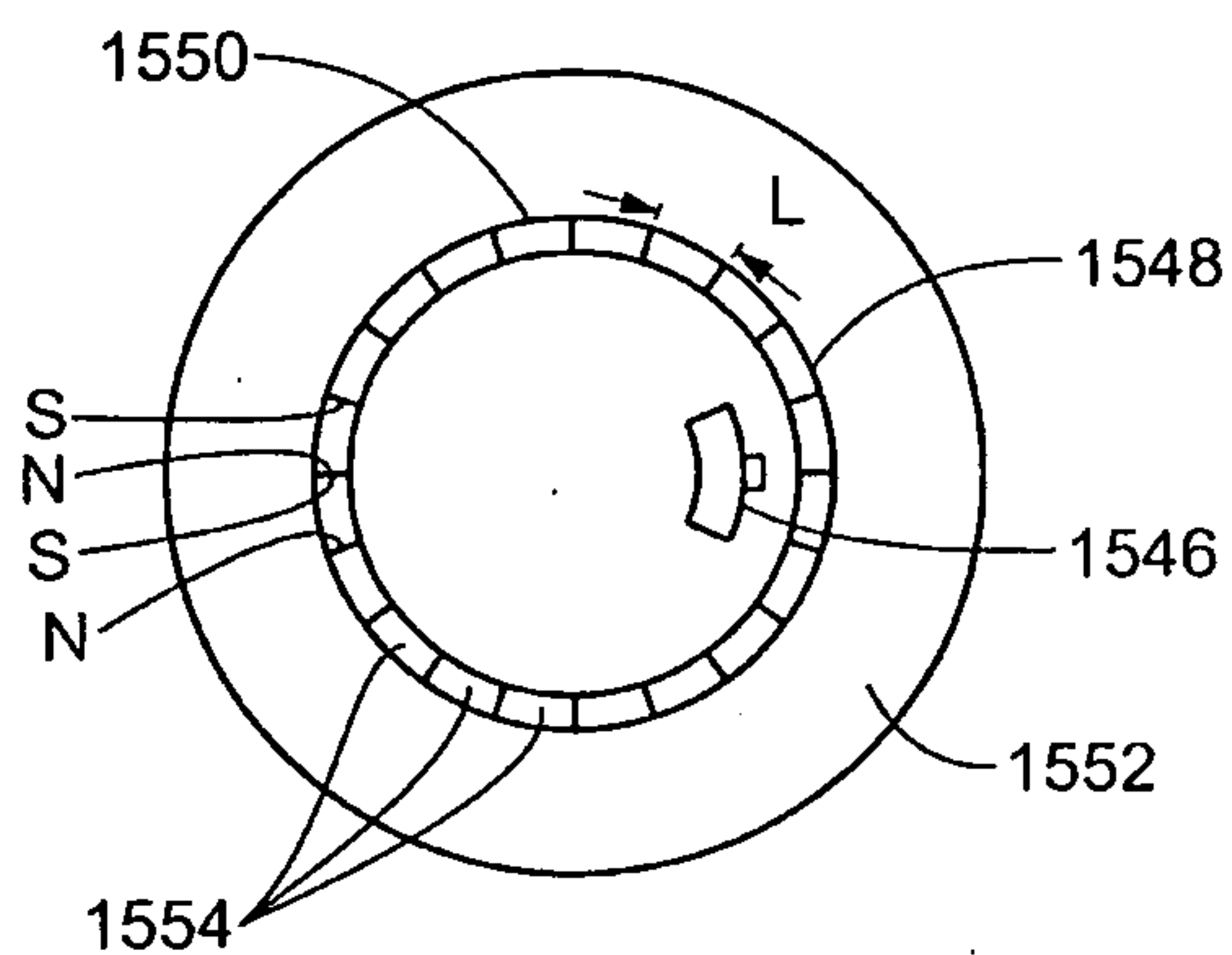


FIG. 64

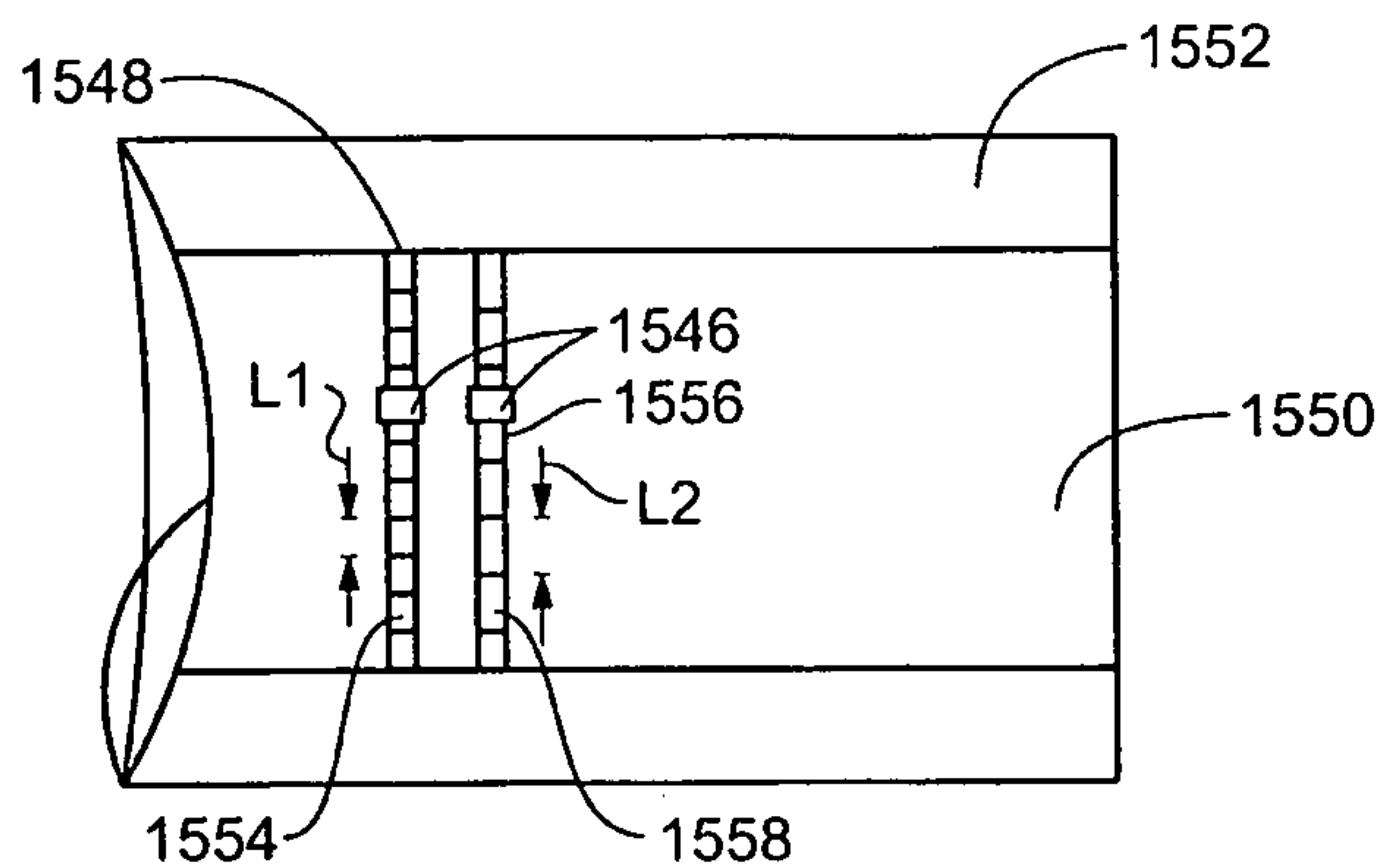


FIG. 65

+

McCormick, Paulding & Huber LLP
Title: ARM PROSTHETIC DEVICE
First Named Inventor: Christopher O. Evans
Attorney Docket Number: 7922-0034-1-1WO

+

61/94

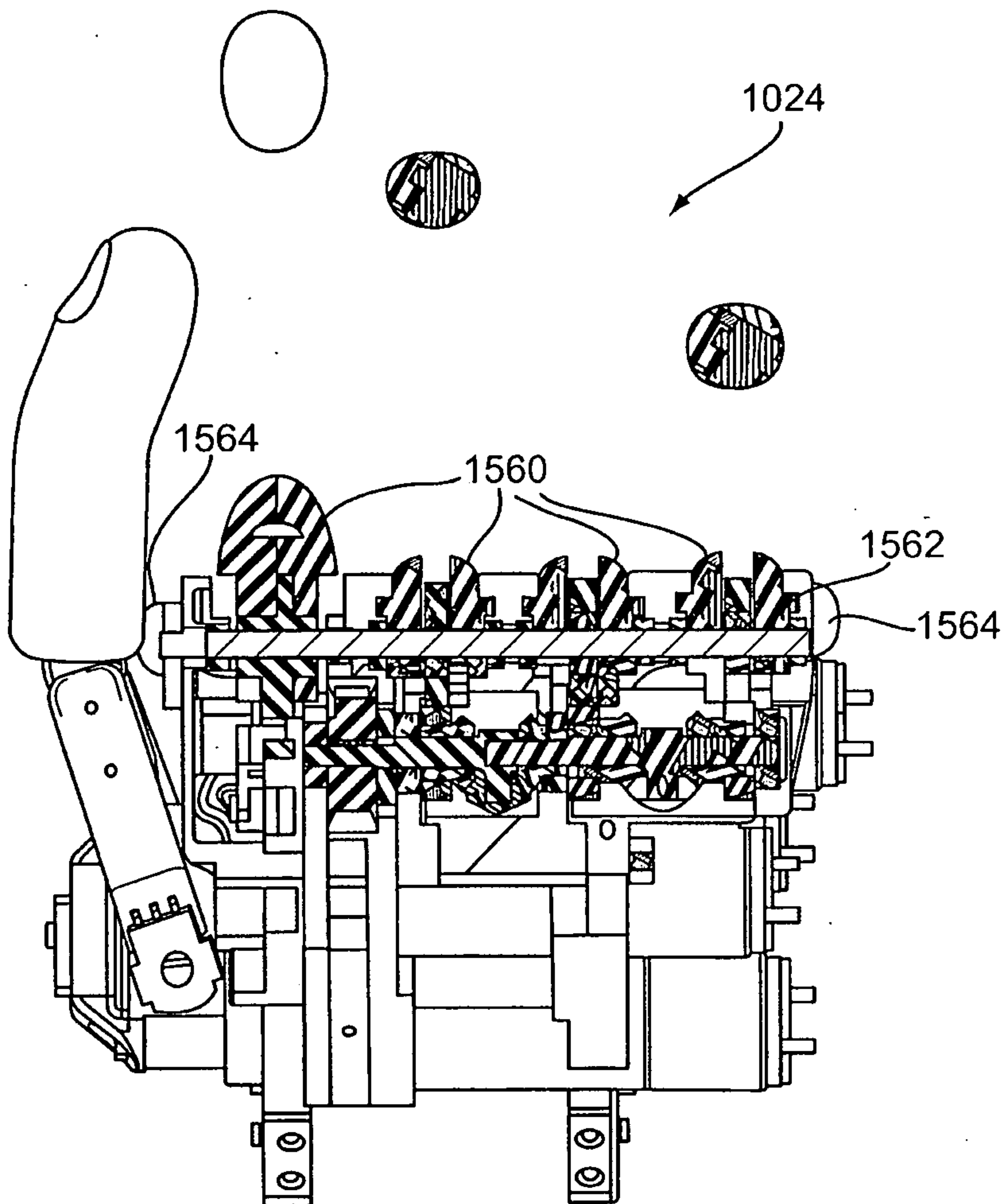


FIG. 66

+

McCormick, Paulding & Huber LLP
Title: ARM PROSTHETIC DEVICE
First Named Inventor: Christopher O. Evans
Attorney Docket Number: 7922-0034-1-1WO

+

62/94

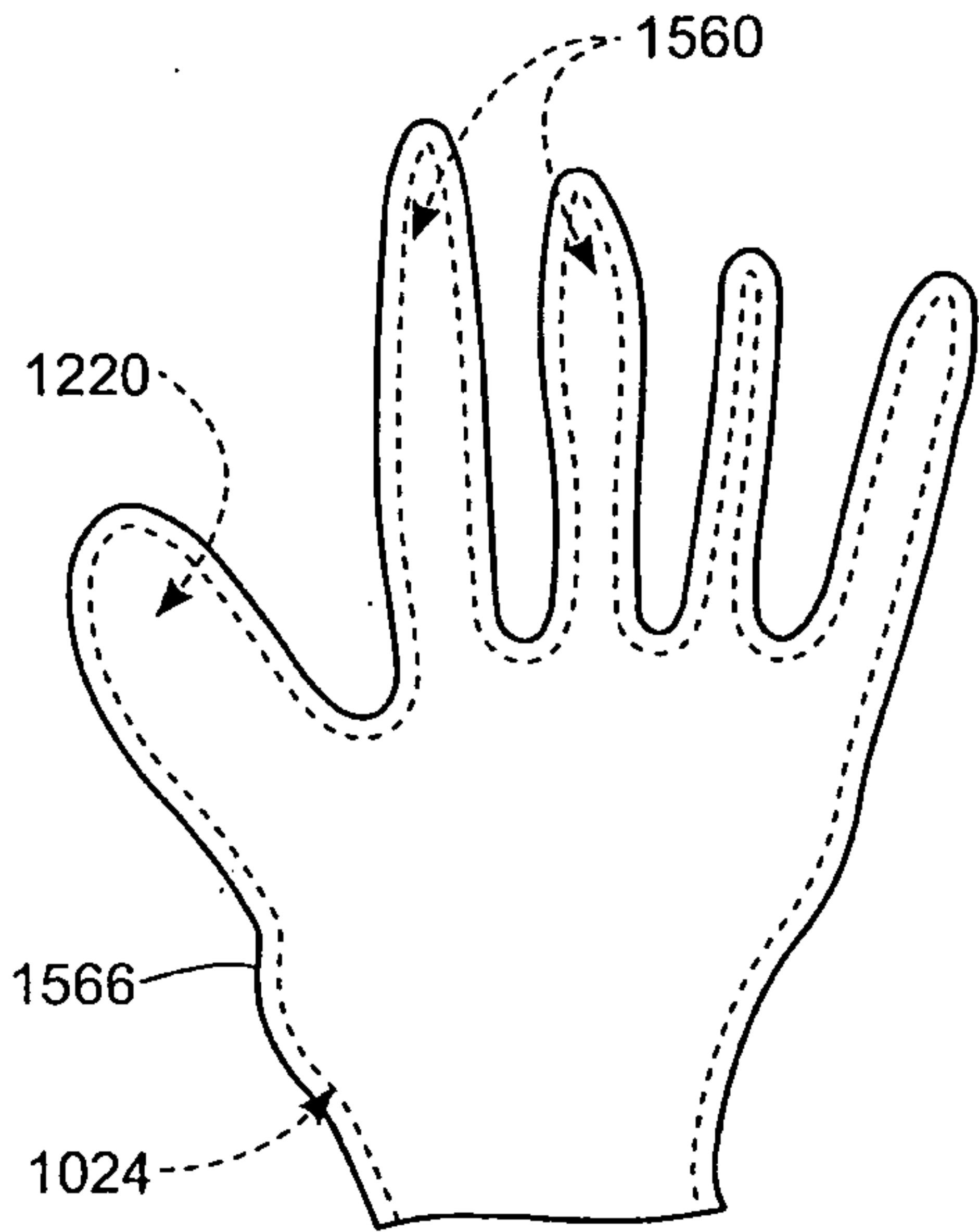


FIG. 67

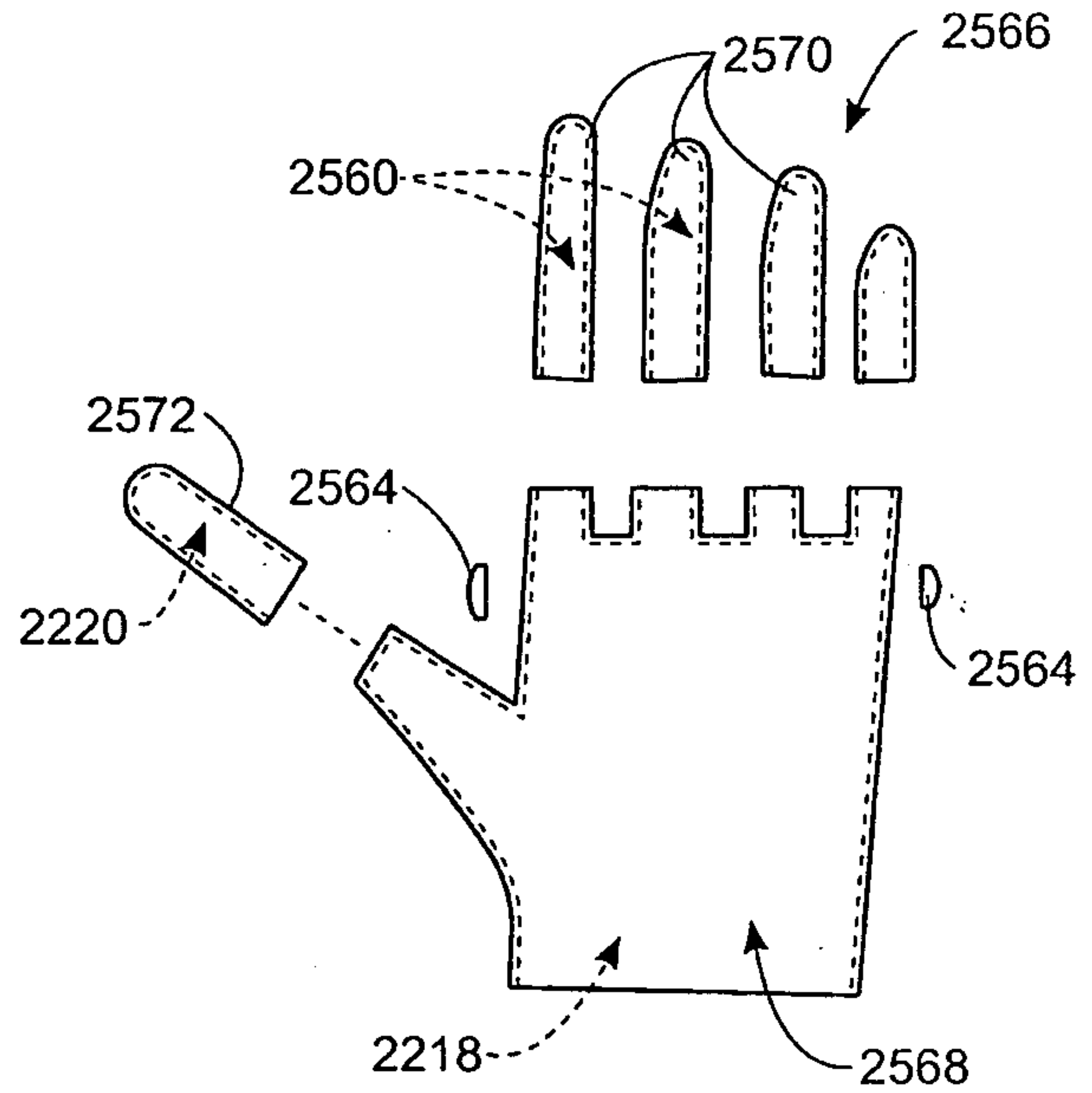


FIG. 68A

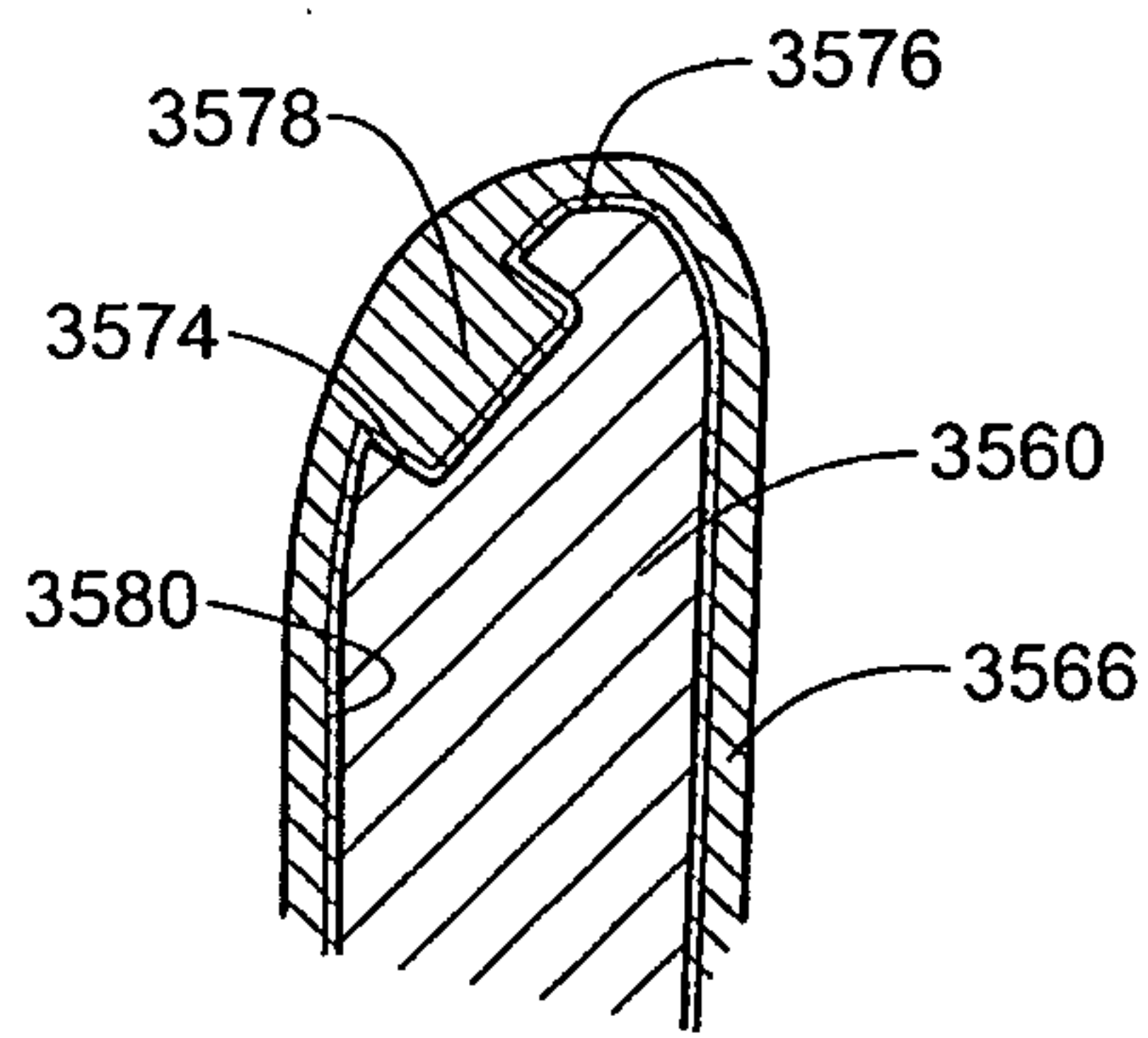


FIG. 68B

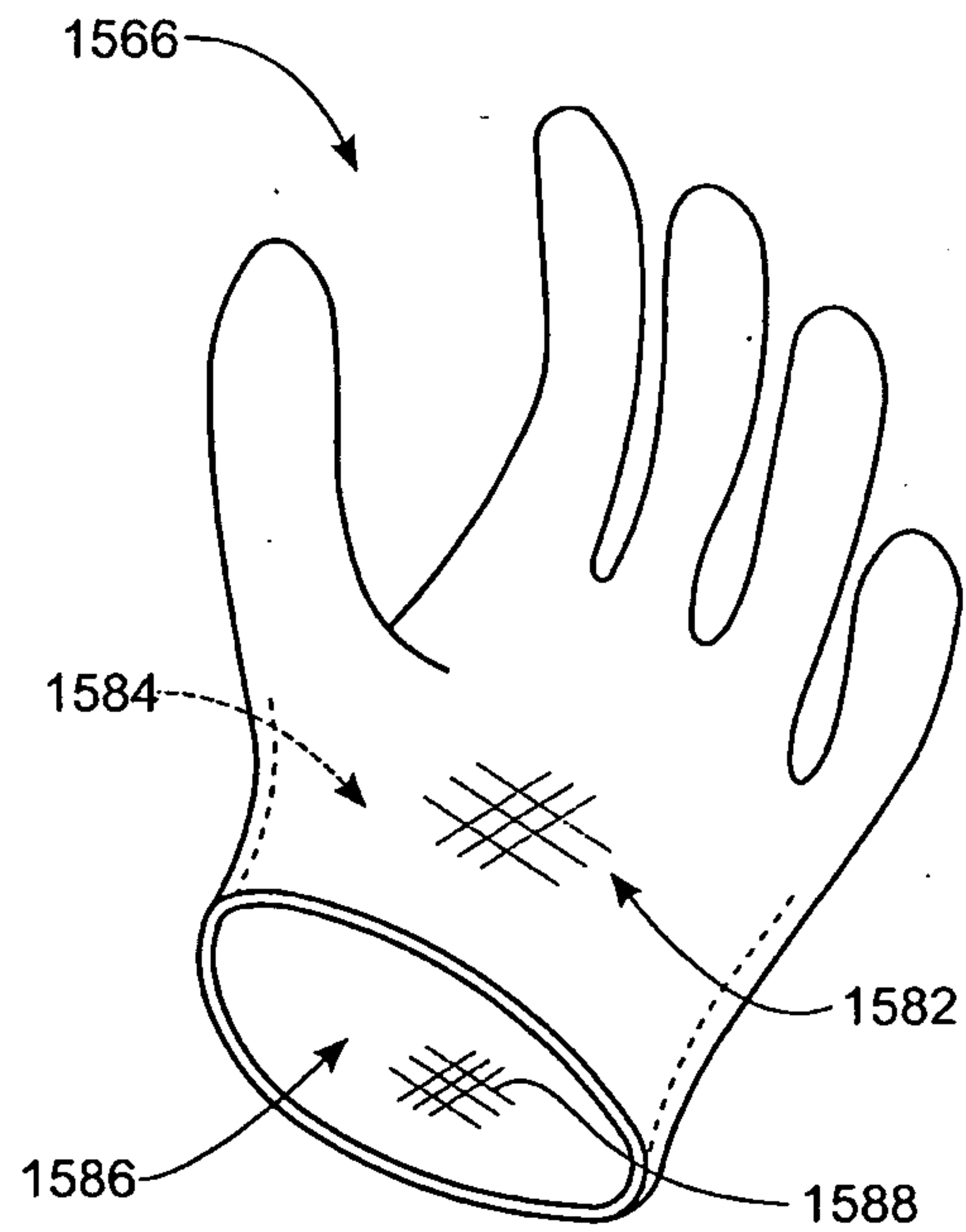


FIG. 69

+

McCormick, Paulding & Huber LLP
Title: ARM PROSTHETIC DEVICE
First Named Inventor: Christopher O. Evans
Attorney Docket Number: 7922-0034-1-1WO

+

63/94

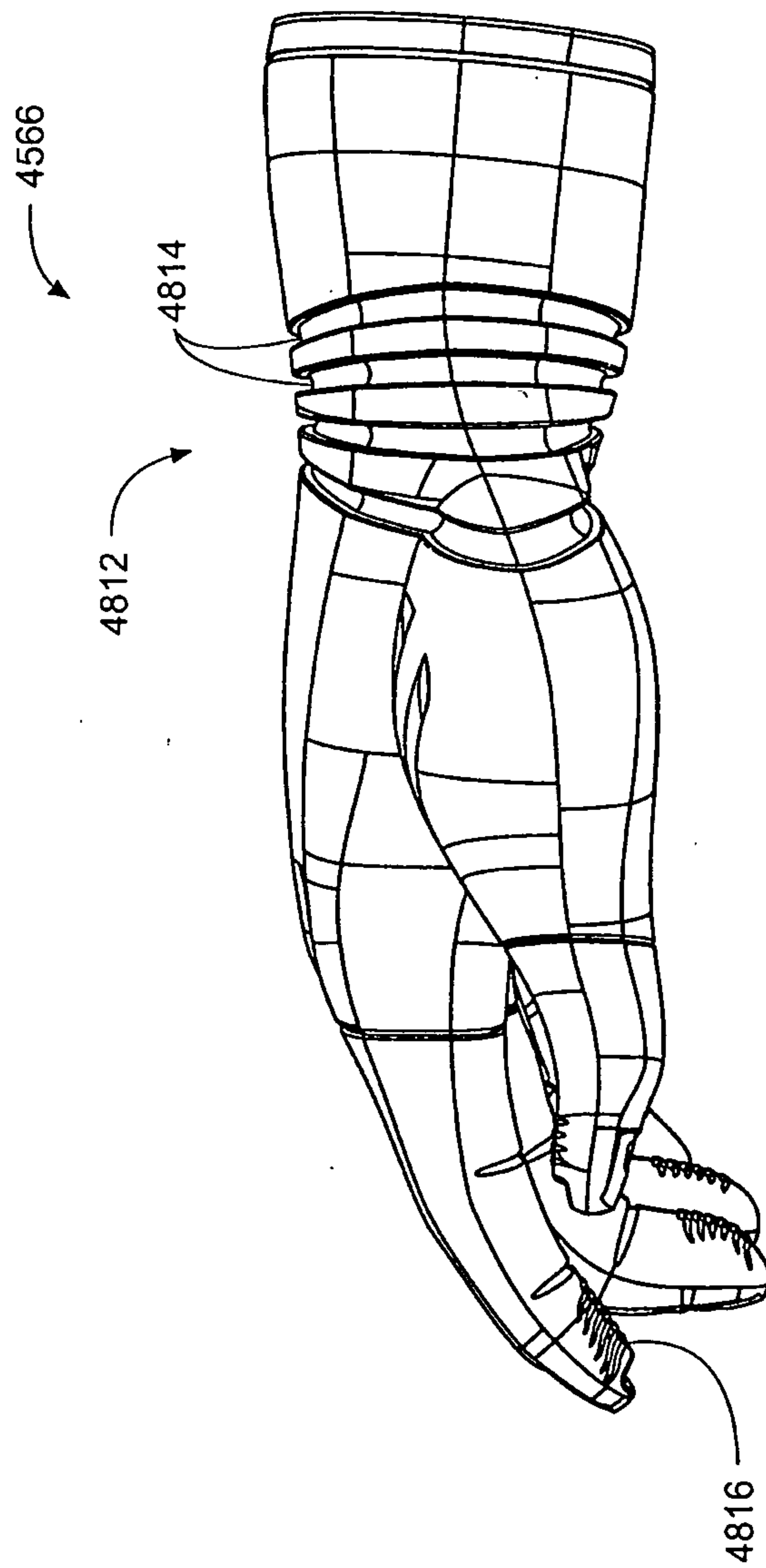


FIG. 70

+

McCormick, Paulding & Huber LLP
Title: ARM PROSTHETIC DEVICE
First Named Inventor: Christopher O. Evans
Attorney Docket Number: 7922-0034-1-1WO

+

64/94

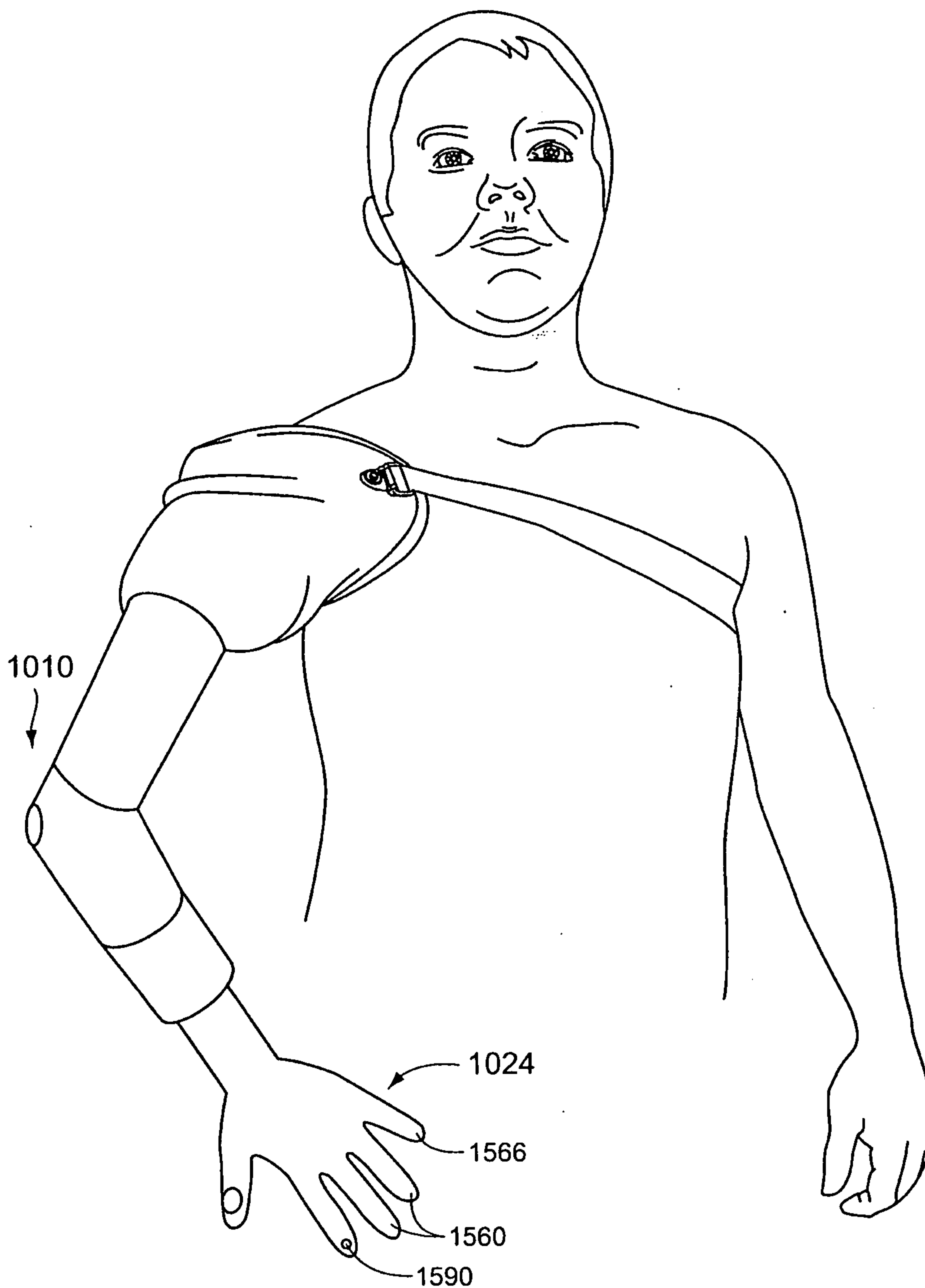


FIG. 71

+

McCormick, Paulding & Huber LLP
Title: ARM PROSTHETIC DEVICE
First Named Inventor: Christopher O. Evans
Attorney Docket Number: 7922-0034-1-1WO

+

65/94

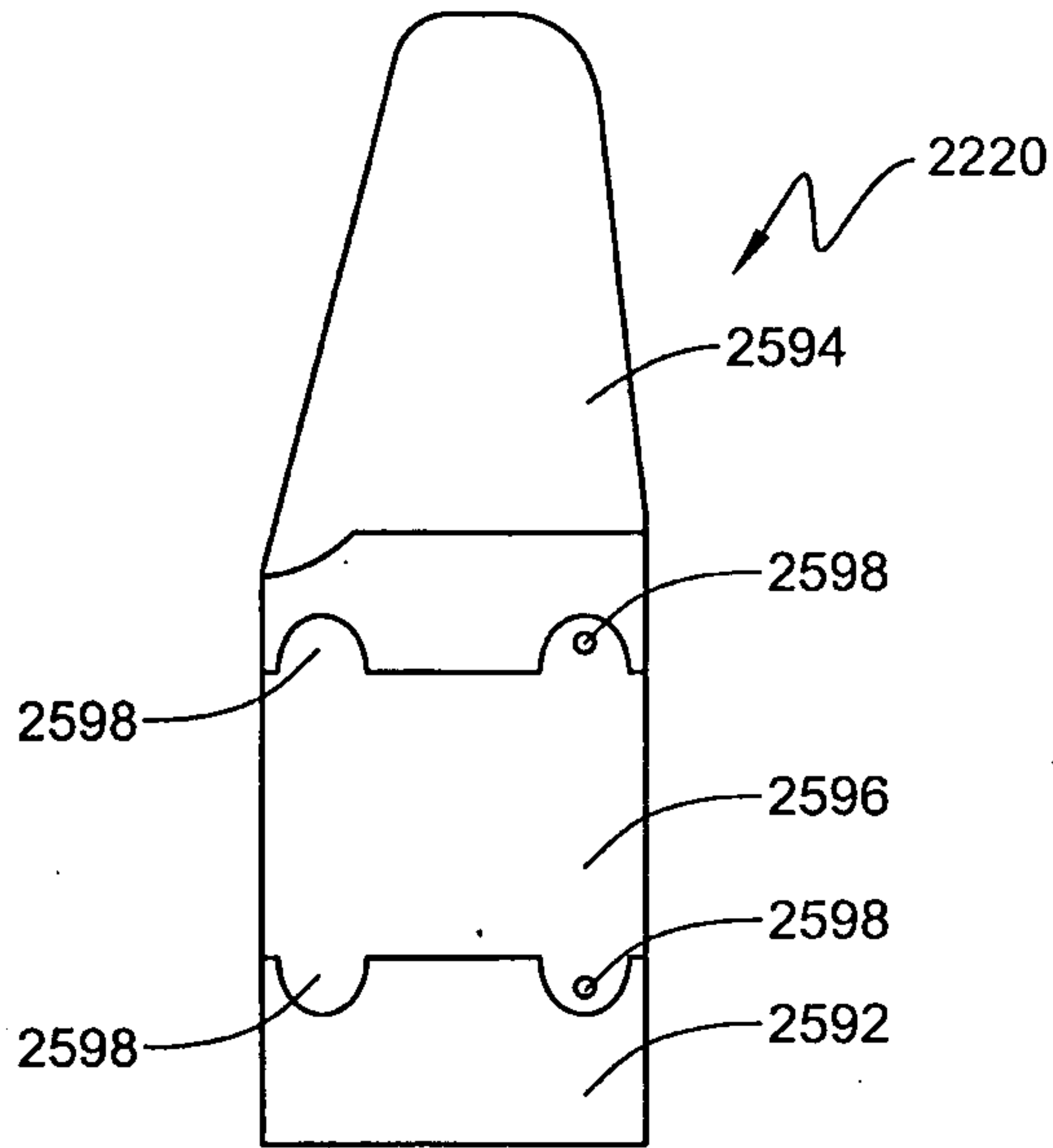


FIG. 72A

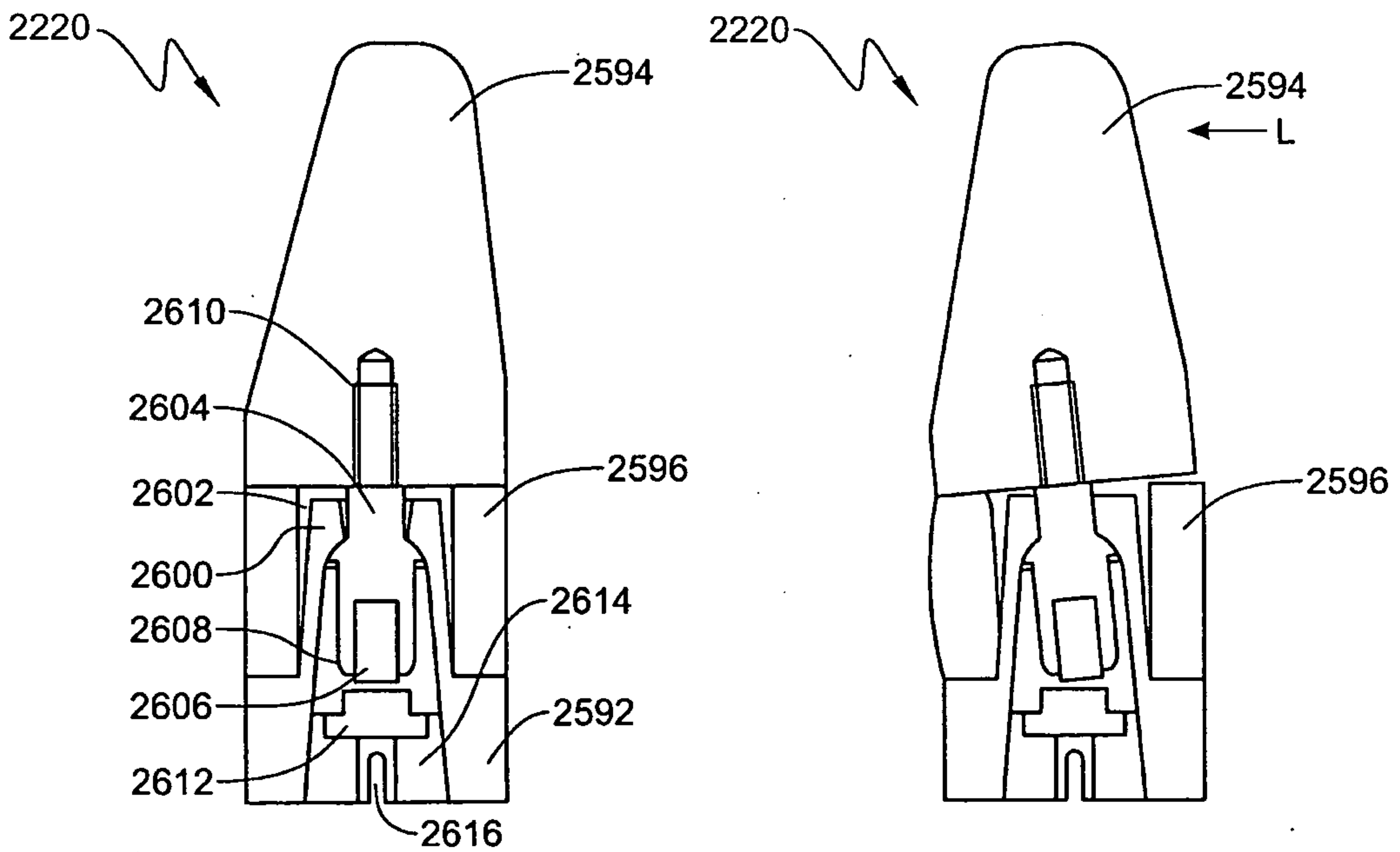


FIG. 72B

FIG. 72C

+

McCormick, Paulding & Huber LLP
Title: ARM PROSTHETIC DEVICE
First Named Inventor: Christopher O. Evans
Attorney Docket Number: 7922-0034-1-1WO

+

66/94

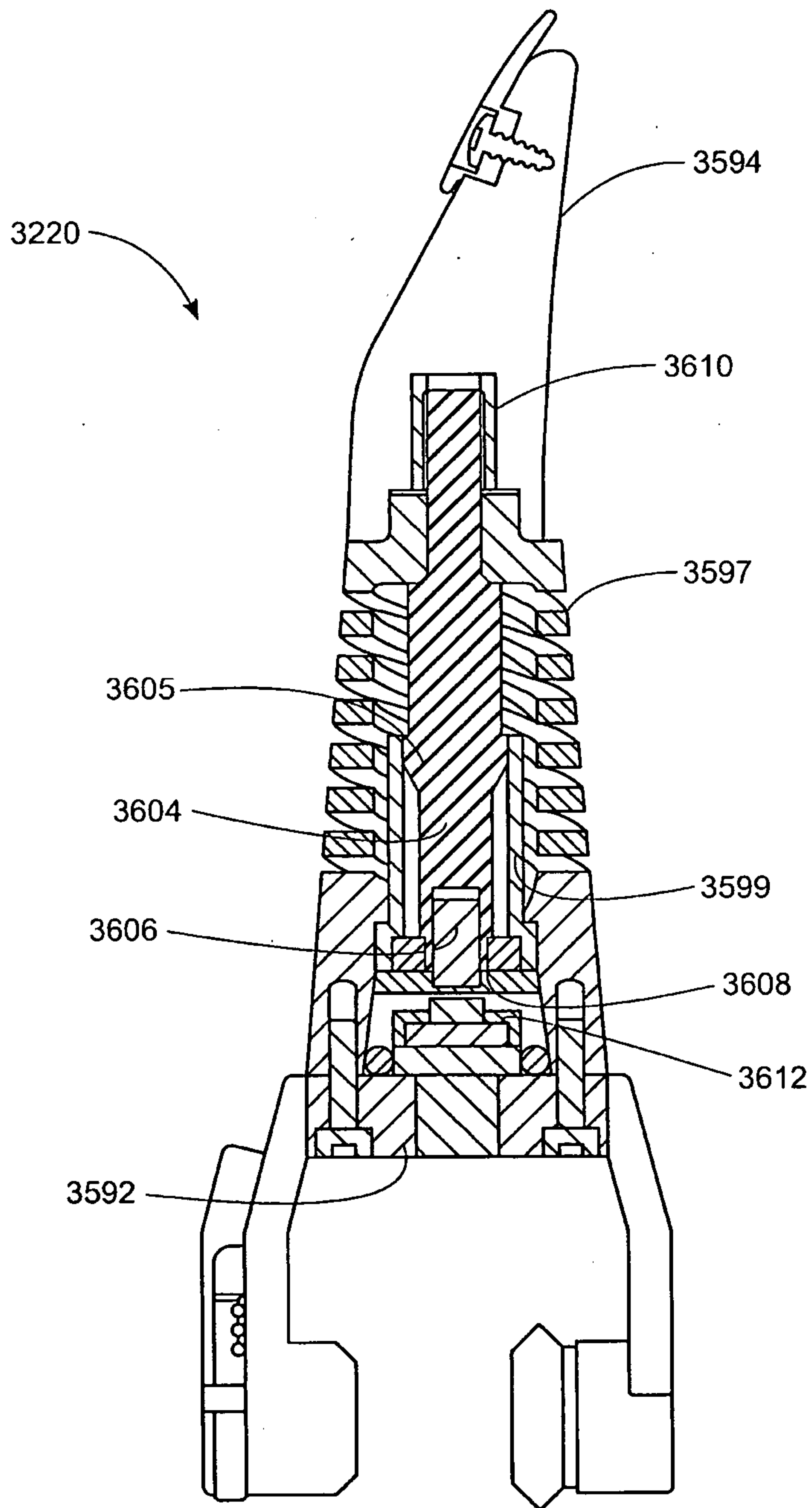


FIG. 73

+

McCormick, Paulding & Huber LLP
Title: ARM PROSTHETIC DEVICE
First Named Inventor: Christopher O. Evans
Attorney Docket Number: 7922-0034-1-1WO

+

67/94

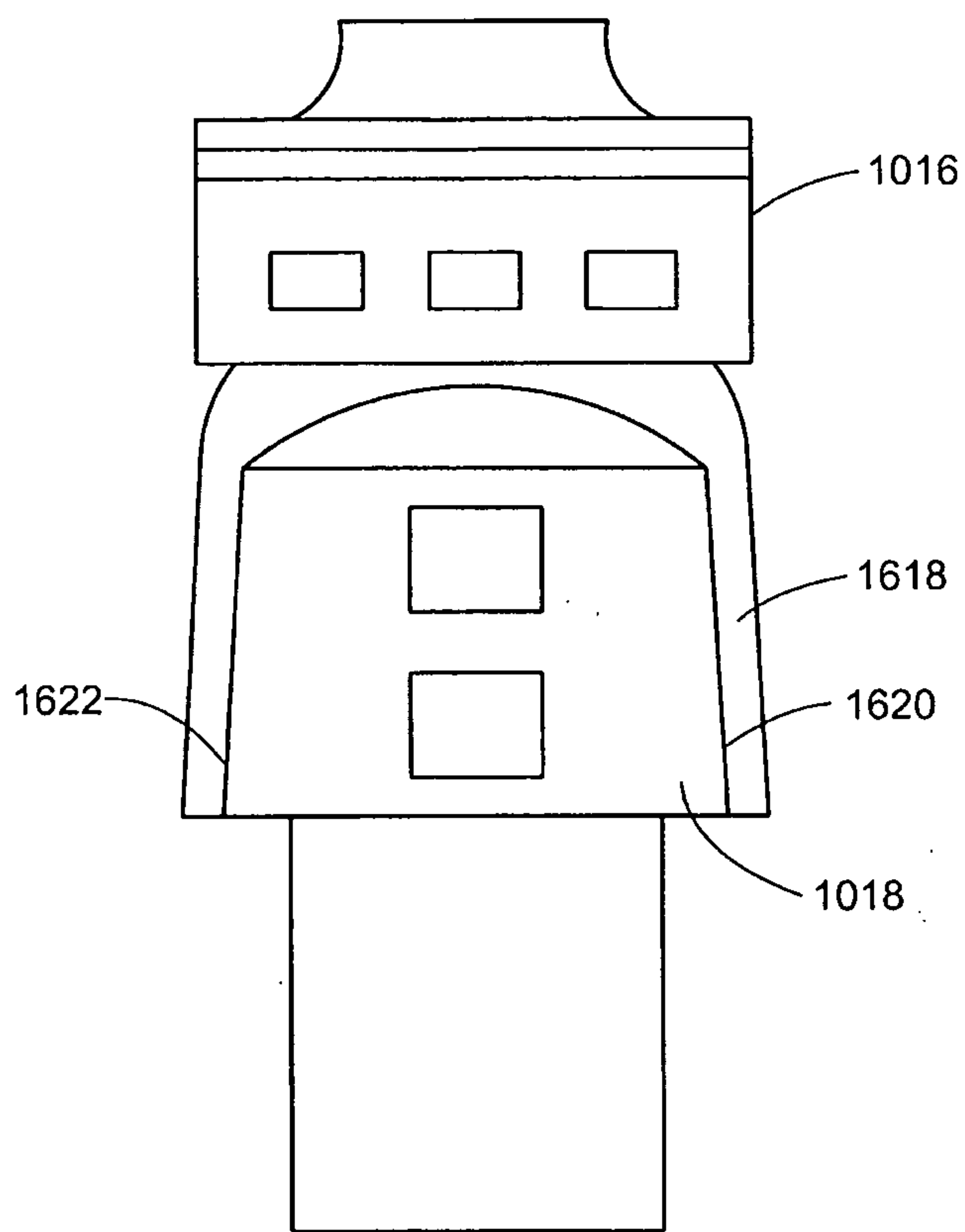


FIG. 74

+

McCormick, Paulding & Huber LLP
Title: ARM PROSTHETIC DEVICE
First Named Inventor: Christopher O. Evans
Attorney Docket Number: 7922-0034-1-1WO

+

68/94

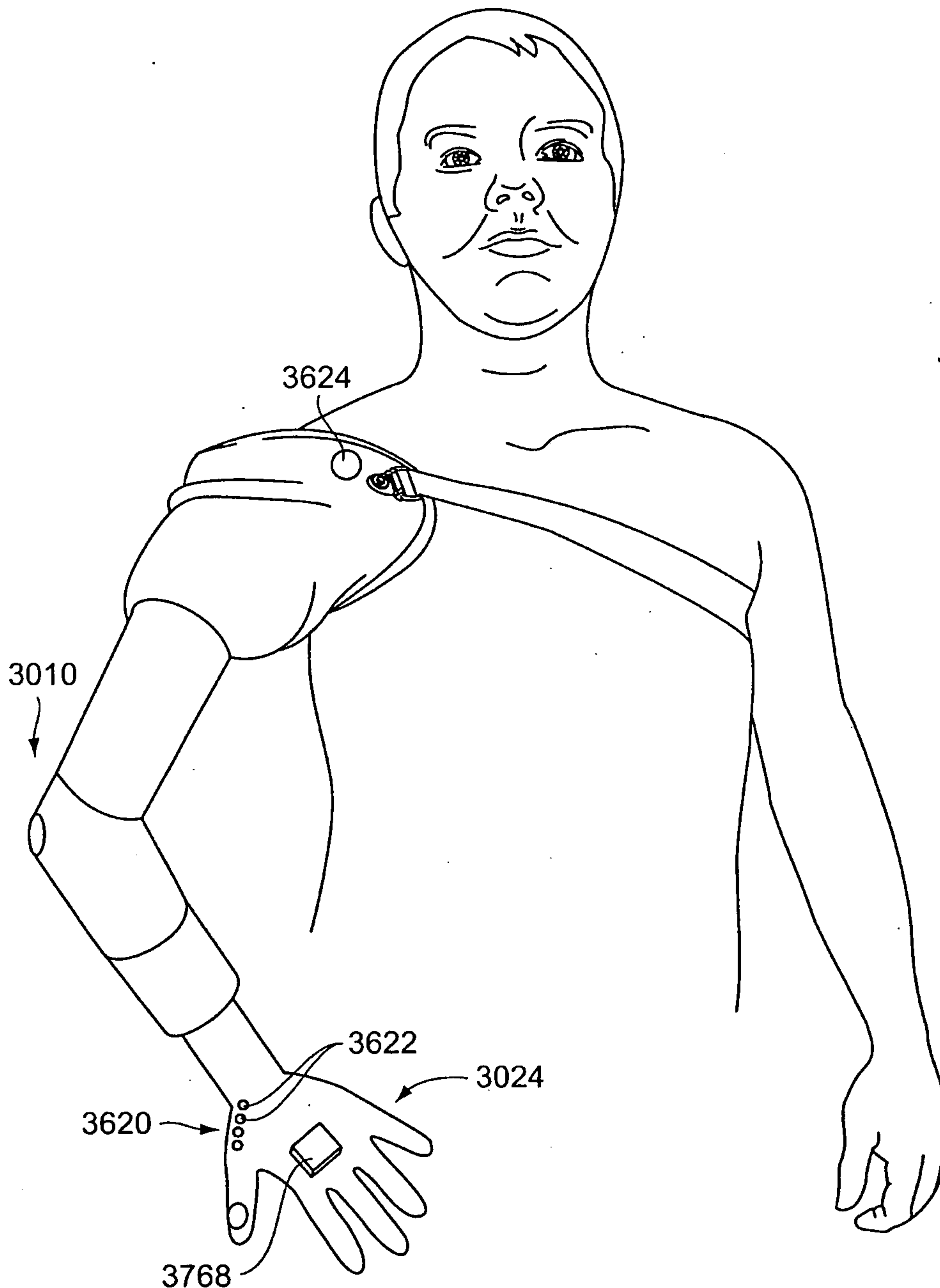


FIG. 75A

+

McCormick, Paulding & Huber LLP
Title: ARM PROSTHETIC DEVICE
First Named Inventor: Christopher O. Evans
Attorney Docket Number: 7922-0034-1-1WO

+

69/94

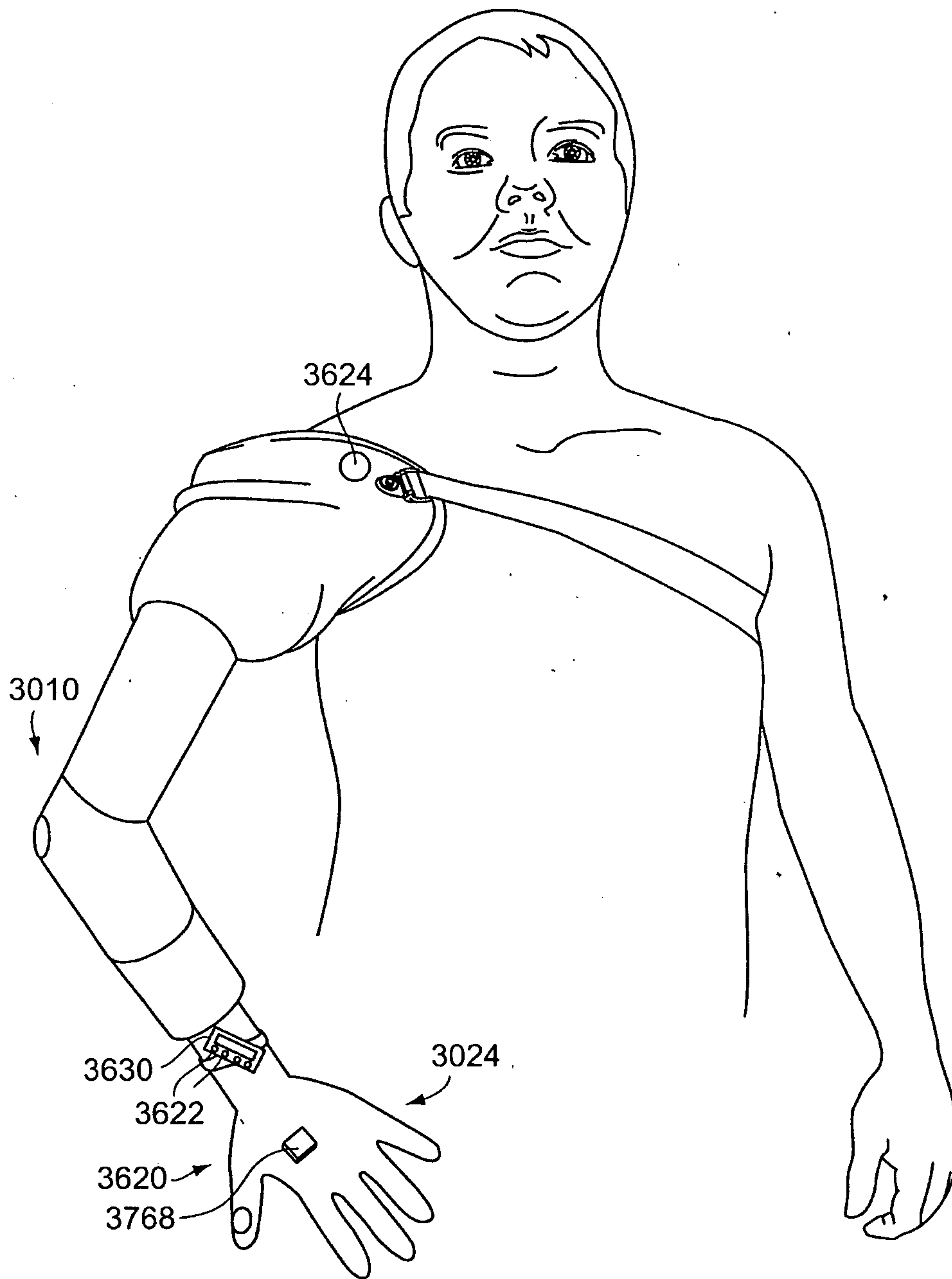


FIG. 75B

+

McCormick, Paulding & Huber LLP
Title: ARM PROSTHETIC DEVICE
First Named Inventor: Christopher O. Evans
Attorney Docket Number: 7922-0034-1-1WO

+

70/94

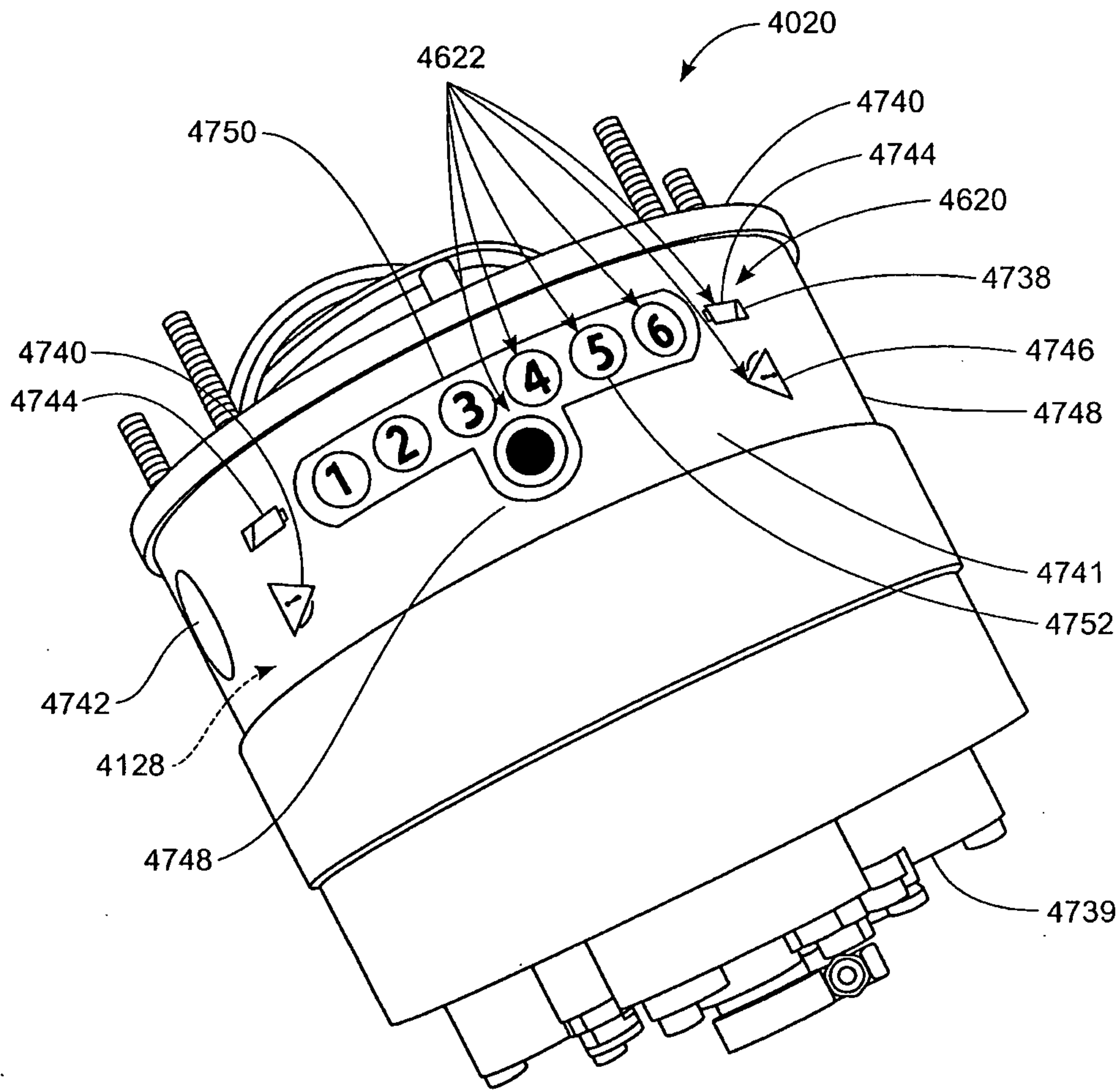


FIG. 75C

+

McCormick, Paulding & Huber LLP
Title: ARM PROSTHETIC DEVICE
First Named Inventor: Christopher O. Evans
Attorney Docket Number: 7922-0034-1-1WO

+

71/94

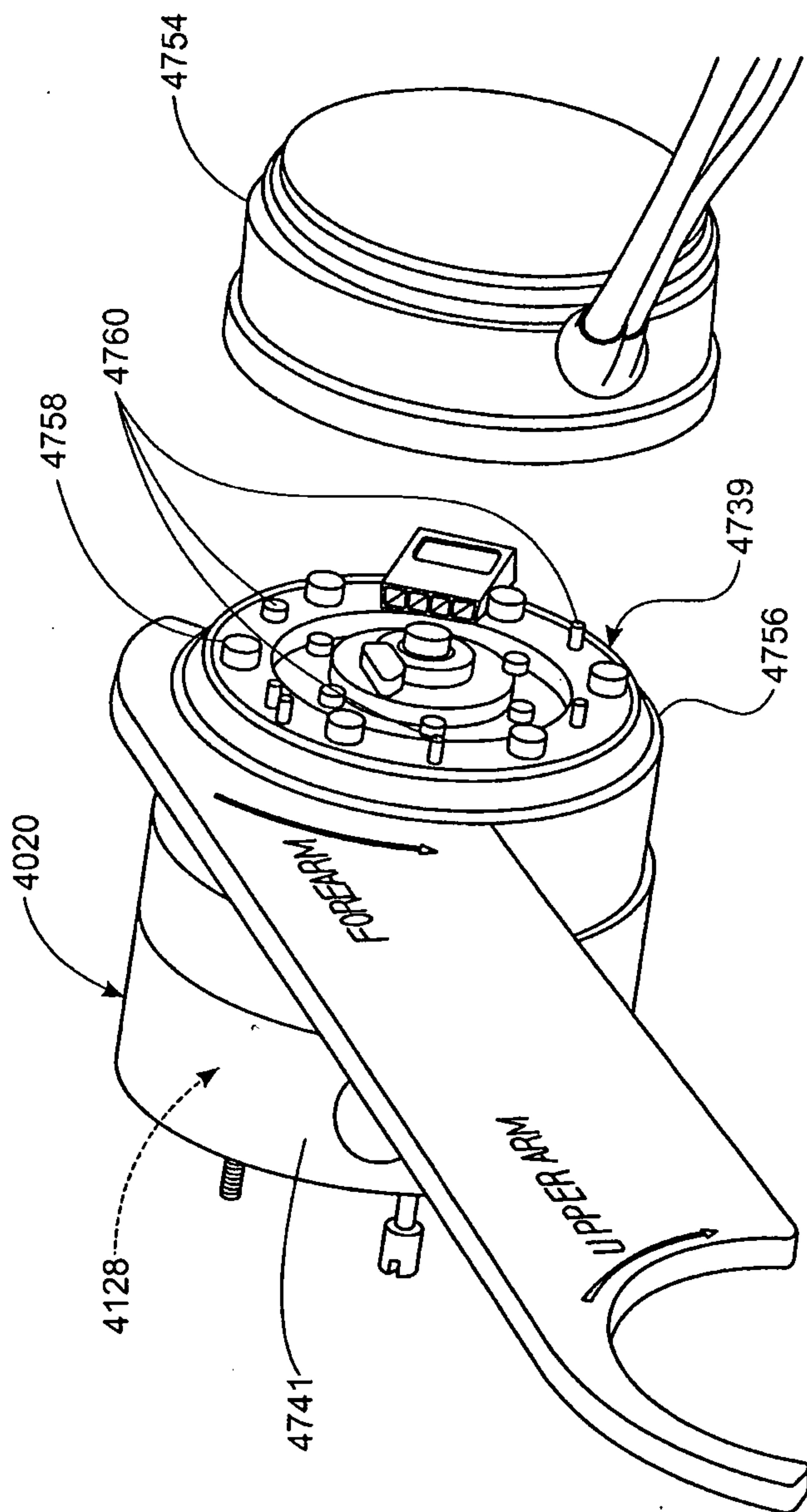


FIG. 75D

+

McCormick, Paulding & Huber LLP
Title: ARM PROSTHETIC DEVICE
First Named Inventor: Christopher O. Evans
Attorney Docket Number: 7922-0034-1-1WO

+

72/94

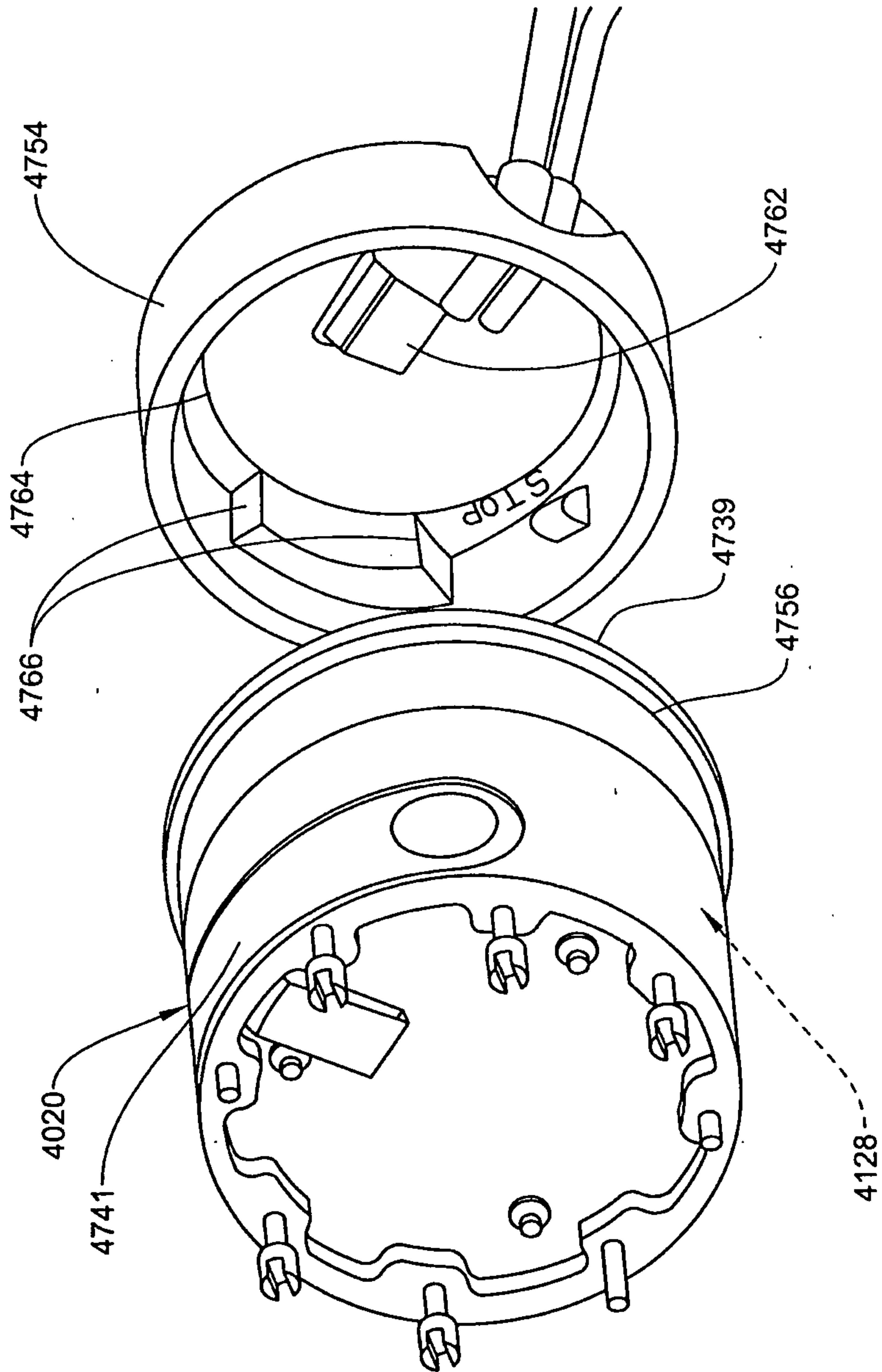


FIG. 75E

+

McCormick, Paulding & Huber LLP
Title: ARM PROSTHETIC DEVICE
First Named Inventor: Christopher O. Evans
Attorney Docket Number: 7922-0034-1-1WO

+

73/94

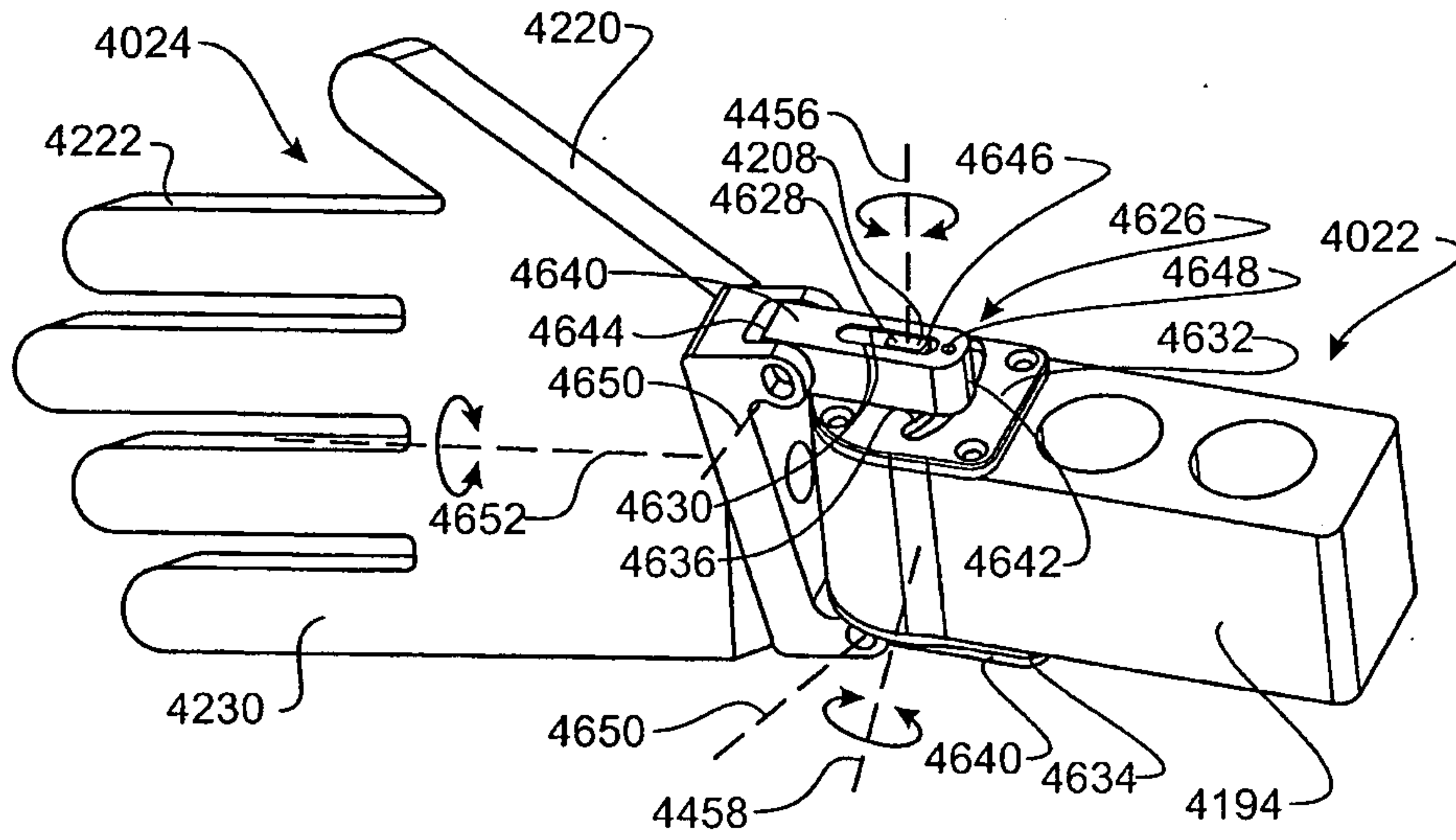


FIG. 76

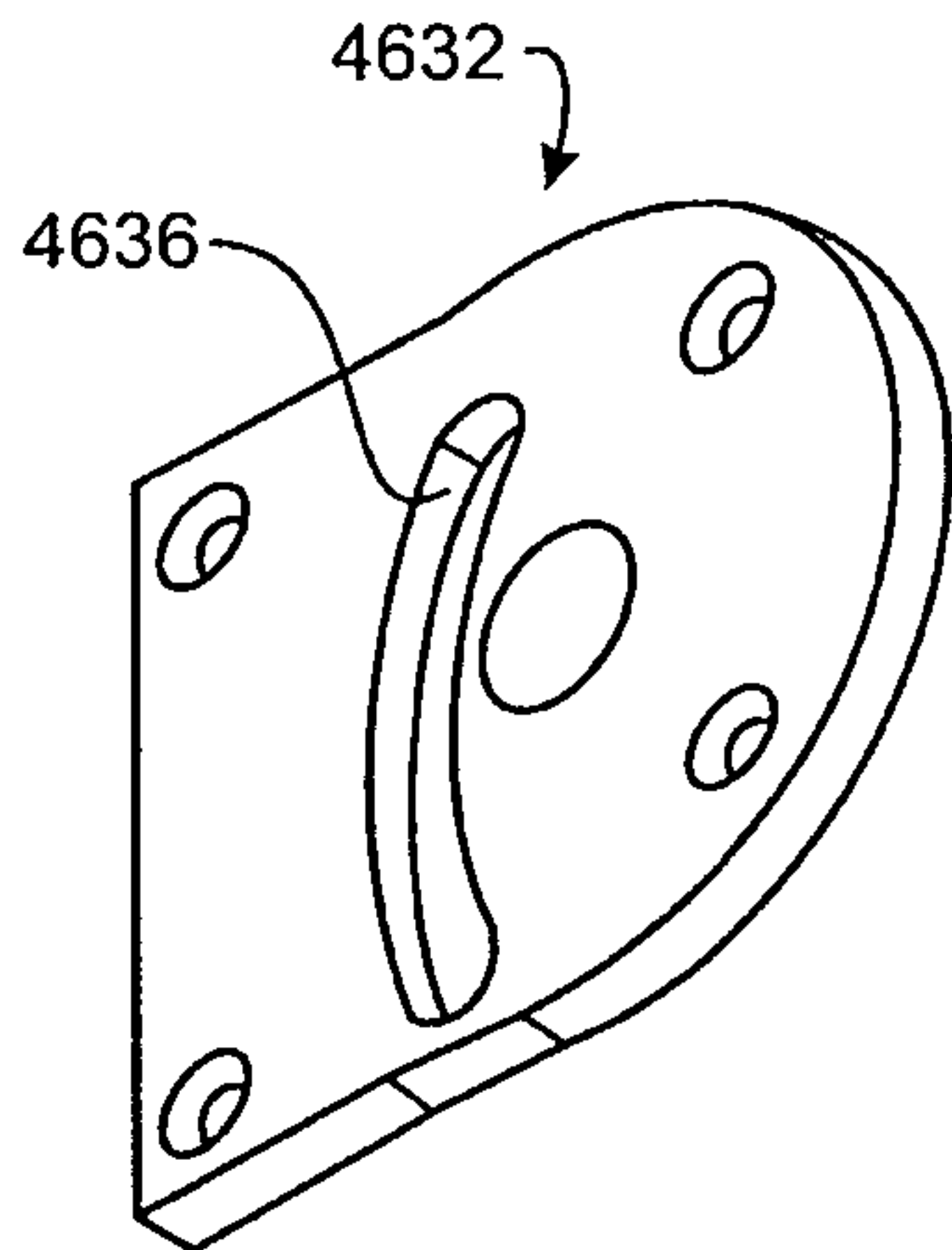


FIG. 77

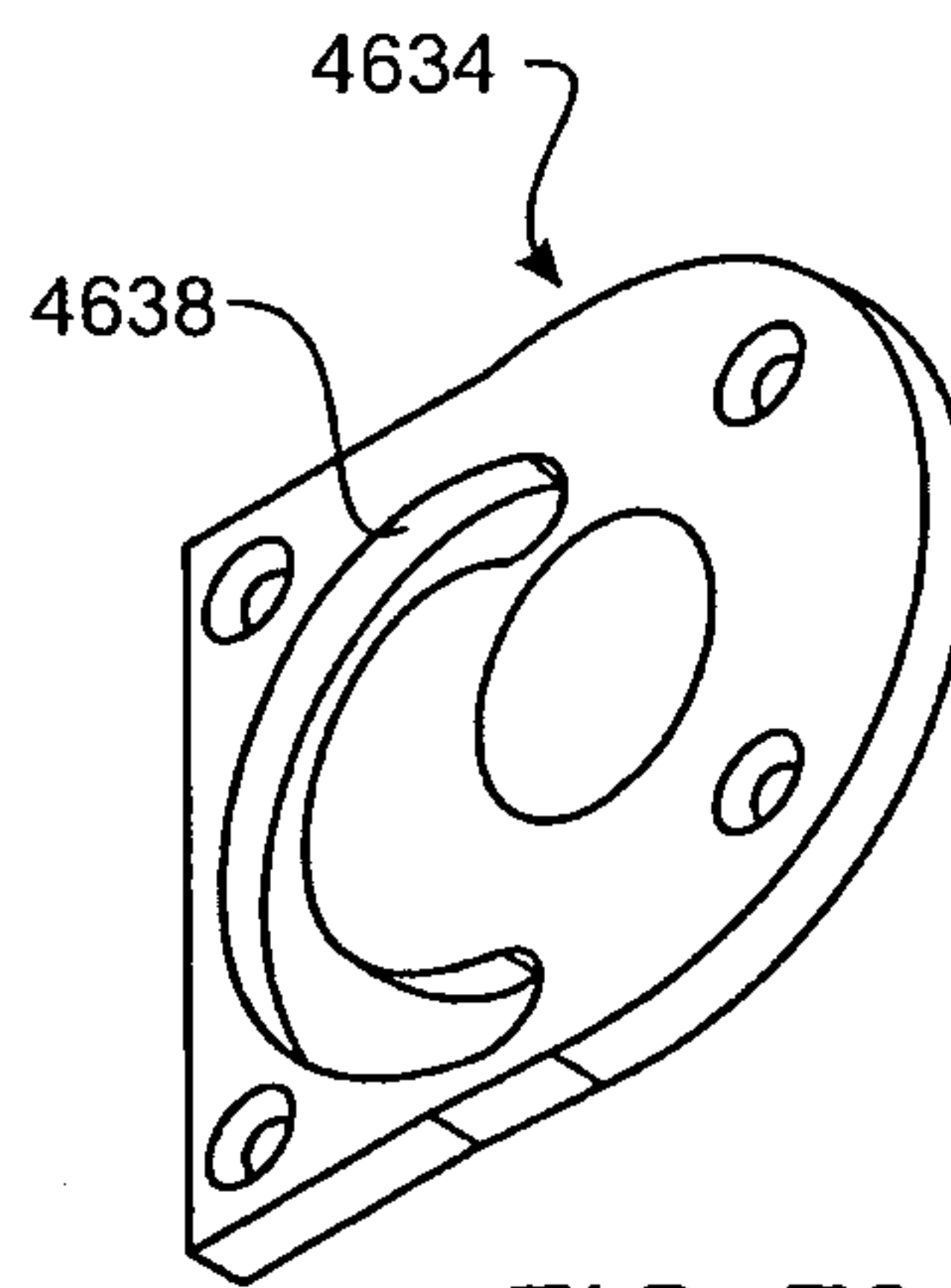


FIG. 78

+

McCormick, Paulding & Huber LLP
Title: ARM PROSTHETIC DEVICE
First Named Inventor: Christopher O. Evans
Attorney Docket Number: 7922-0034-1-1WO

+

74/94

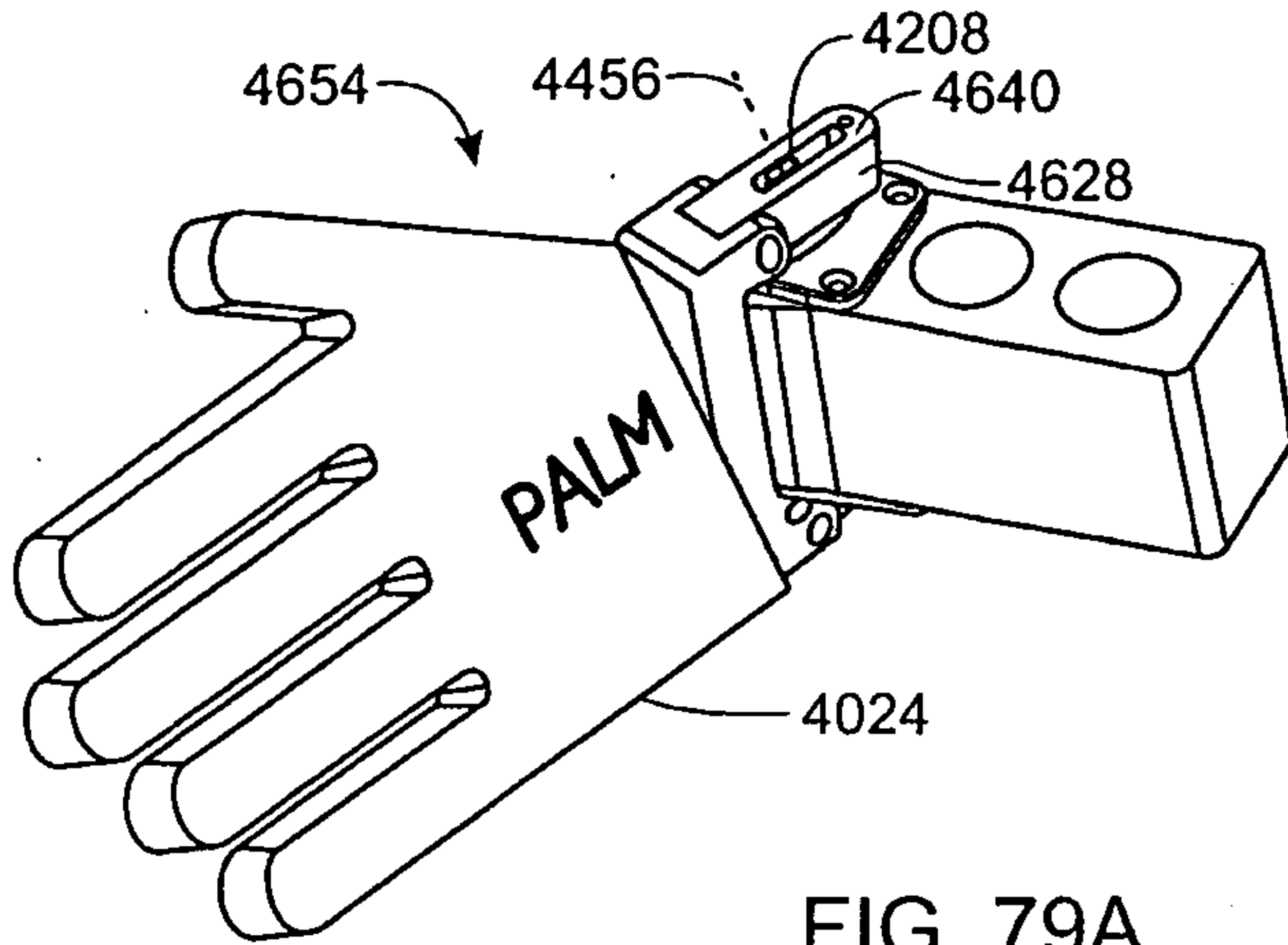


FIG. 79A

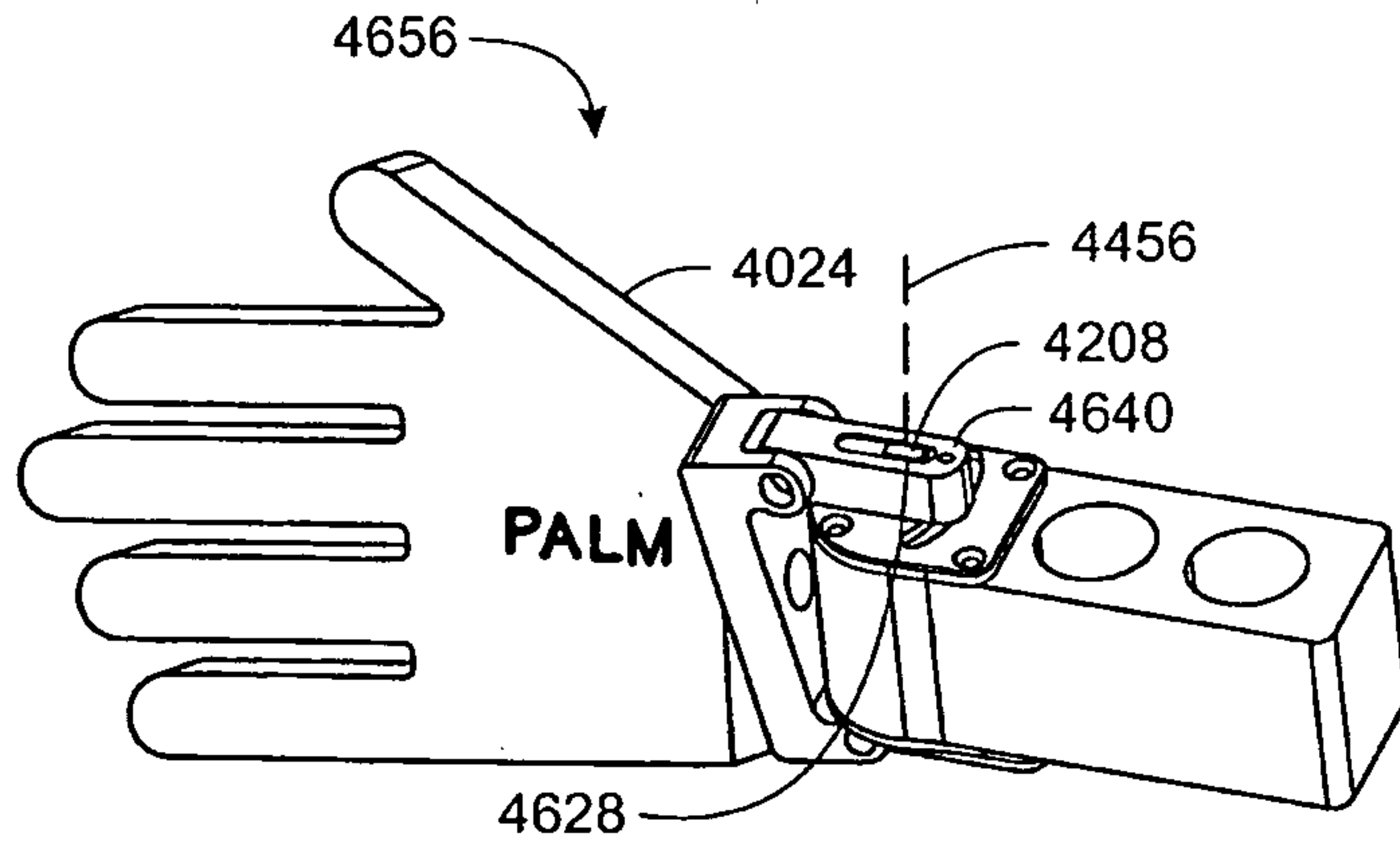


FIG. 79B

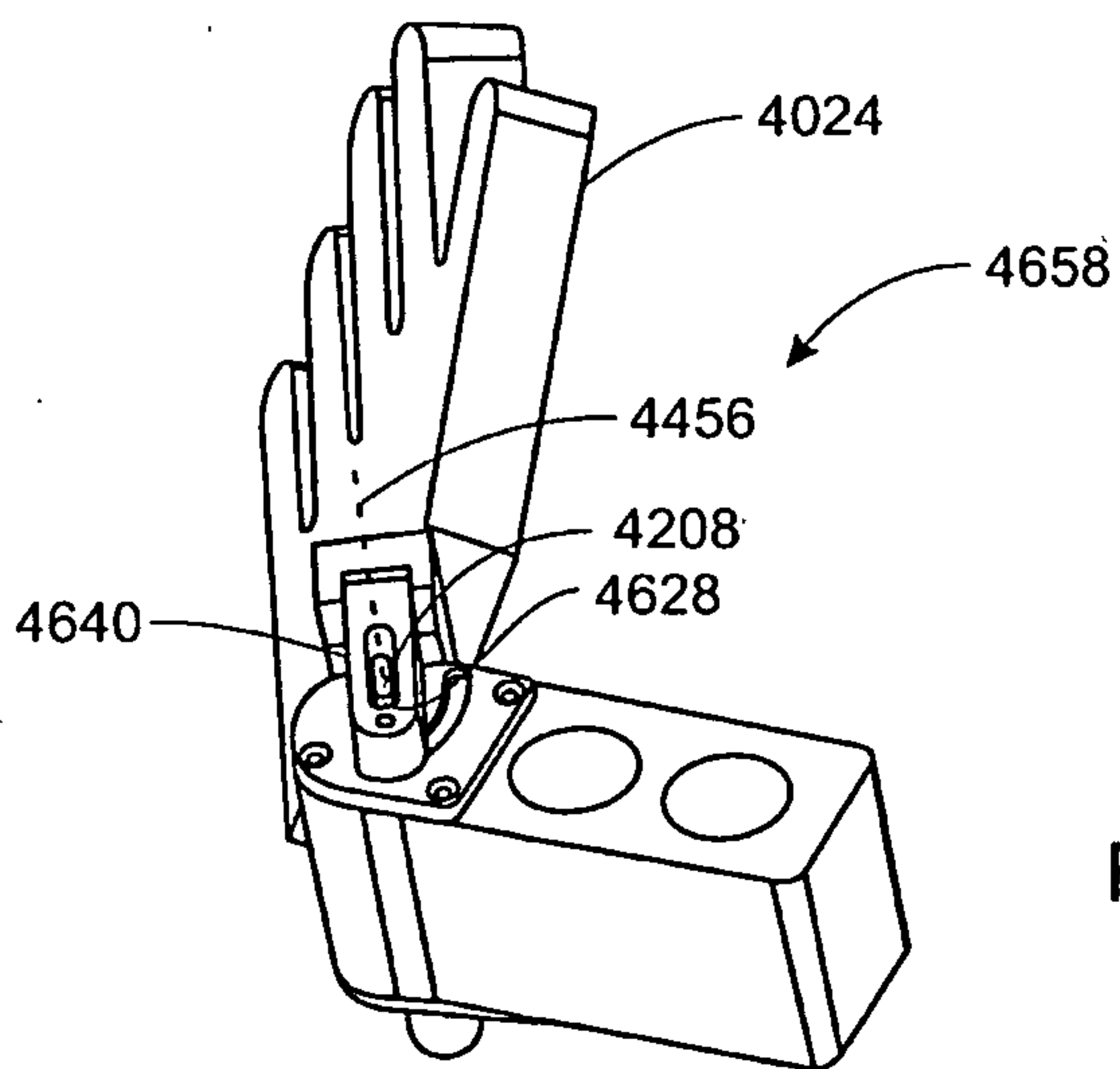


FIG. 79C

+

McCormick, Paulding & Huber LLP
Title: ARM PROSTHETIC DEVICE
First Named Inventor: Christopher O. Evans
Attorney Docket Number: 7922-0034-1-1WO

+

75/94

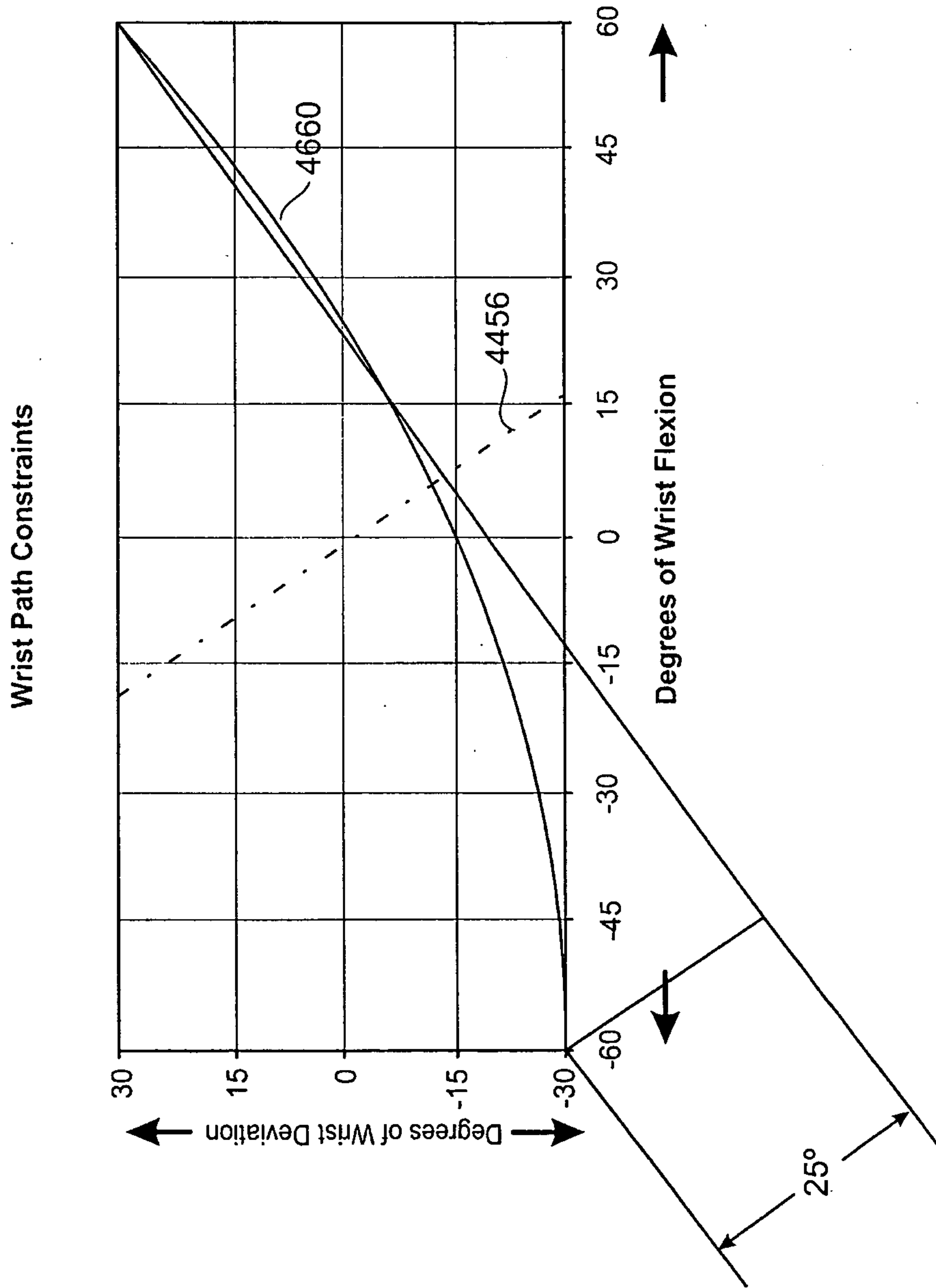
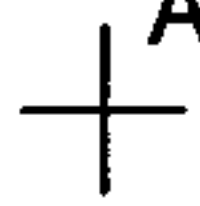


FIG. 80

+

McCormick, Paulding & Huber LLP
Title: ARM PROSTHETIC DEVICE
First Named Inventor: Christopher O. Evans
Attorney Docket Number: 7922-0034-1-1WO



76/94

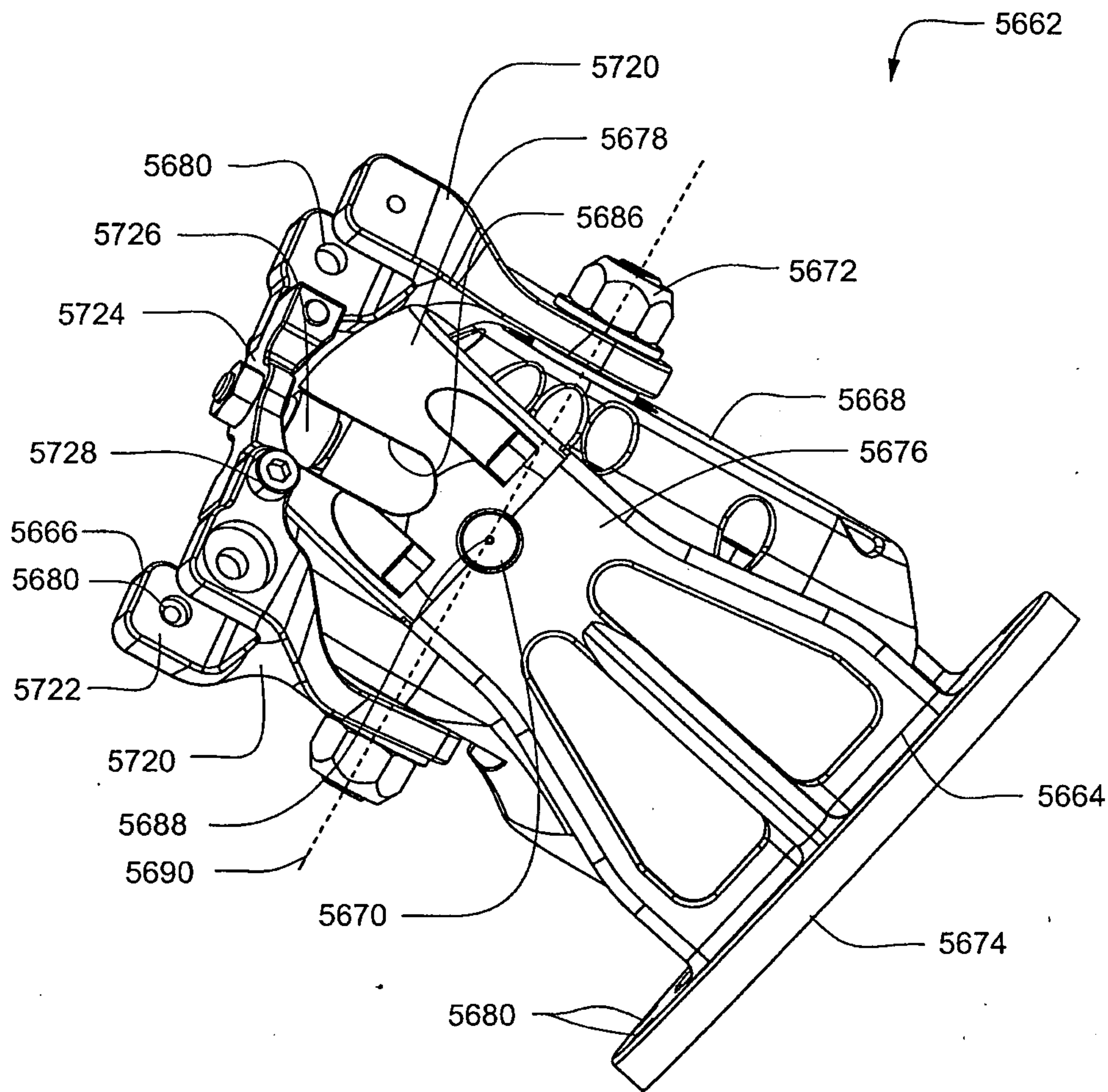
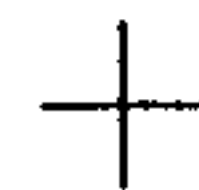


FIG. 81.



McCormick, Paulding & Huber LLP
Title: ARM PROSTHETIC DEVICE
First Named Inventor: Christopher O. Evans
Attorney Docket Number: 7922-0034-1-1WO

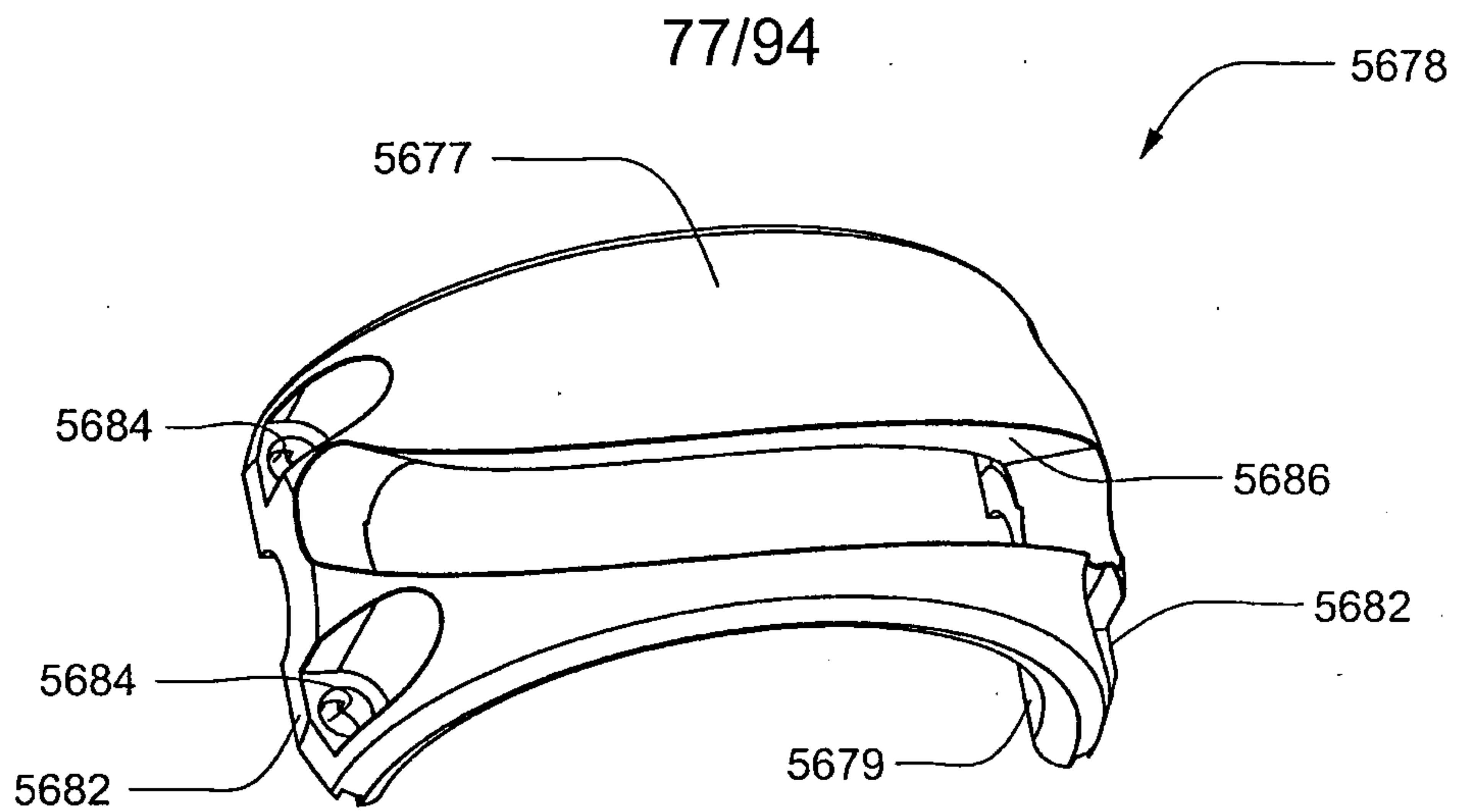


FIG. 82

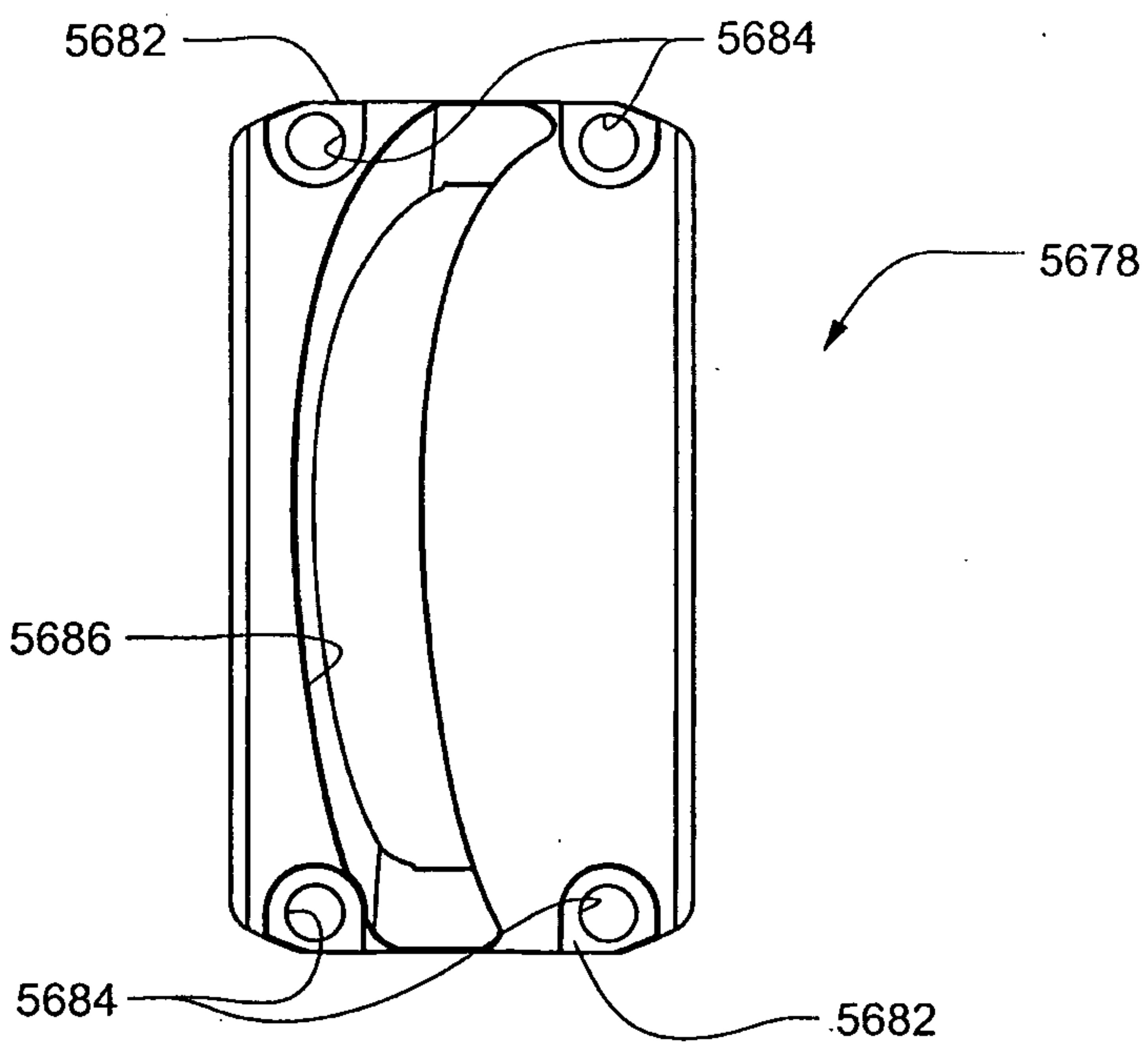
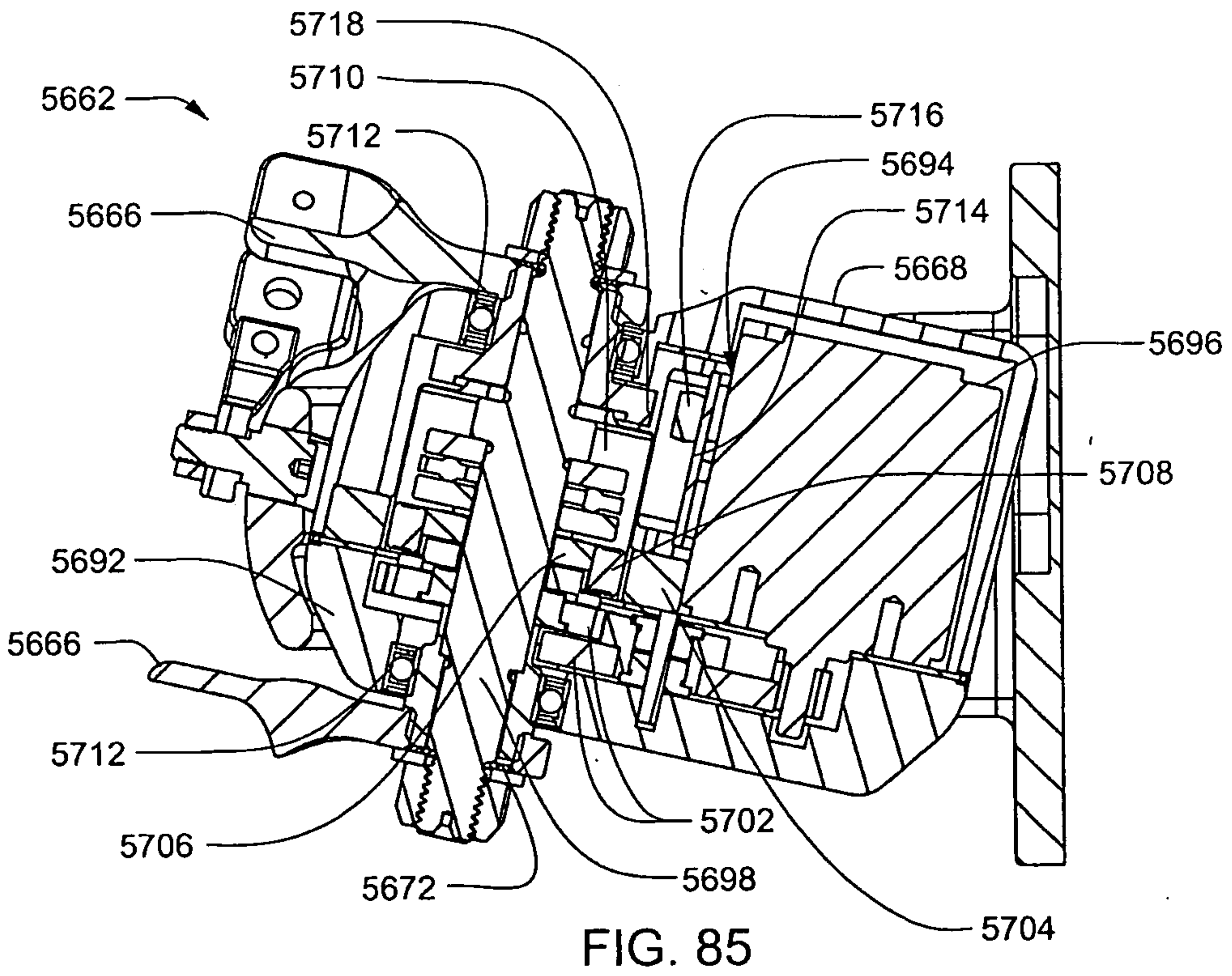
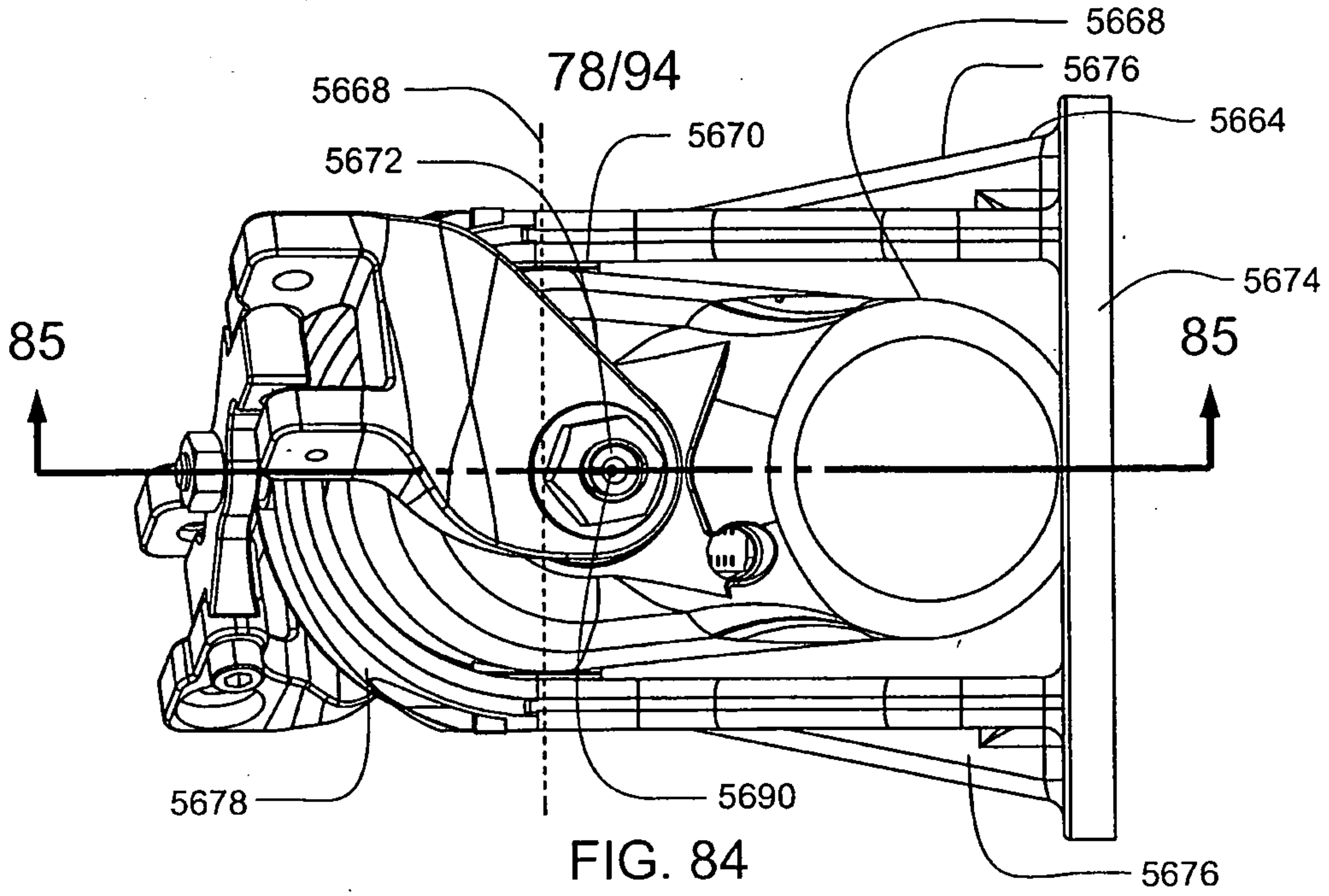


FIG. 83



McCormick, Paulding & Huber LLP
Title: ARM PROSTHETIC DEVICE
First Named Inventor: Christopher O. Evans
Attorney Docket Number: 7922-0034-1-1WO



McCormick, Paulding & Huber LLP
Title: ARM PROSTHETIC DEVICE
First Named Inventor: Christopher O. Evans
Attorney Docket Number: 7922-0034-1-1WO

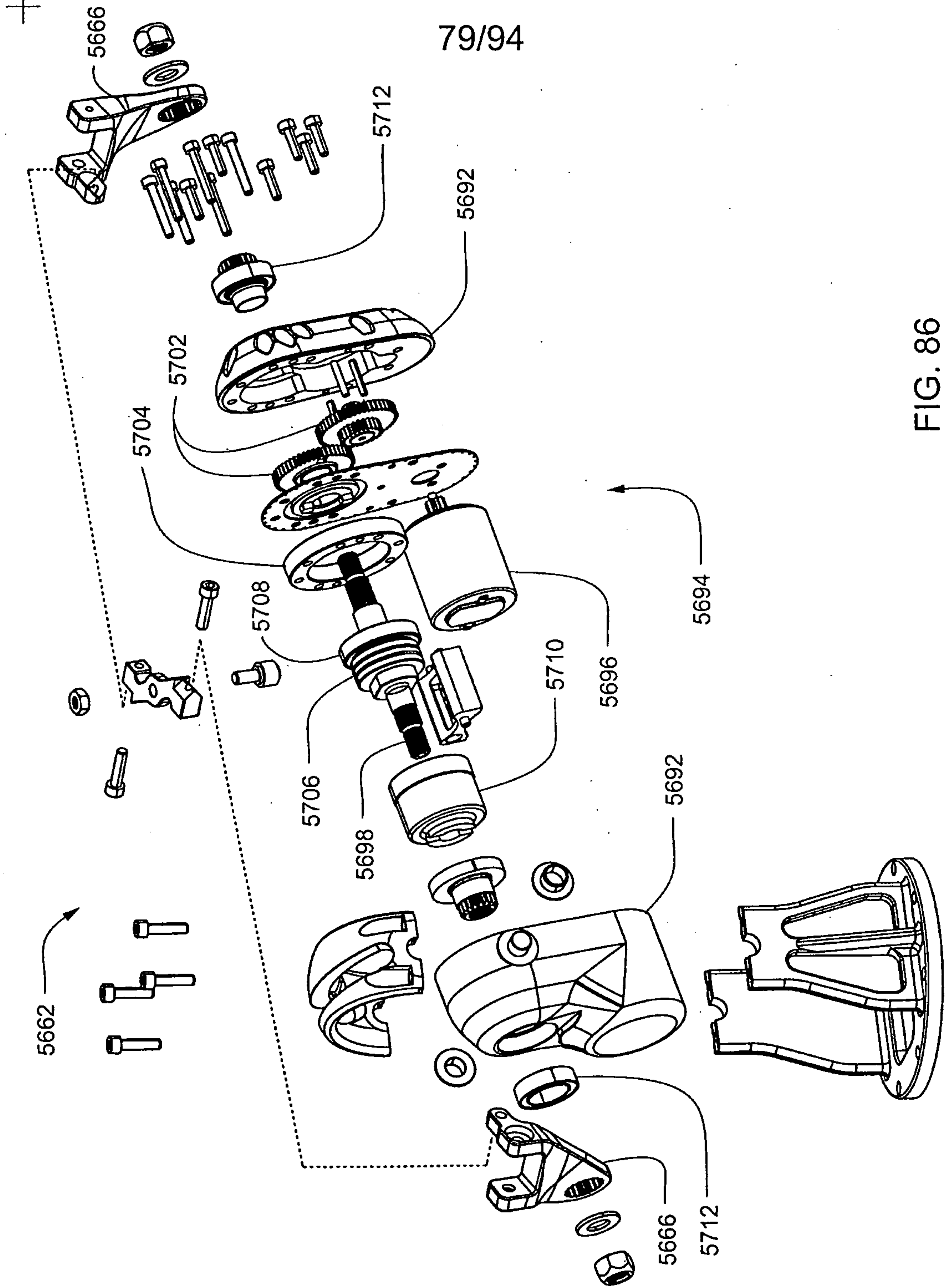


FIG. 86



McCormick, Paulding & Huber LLP
Title: ARM PROSTHETIC DEVICE
First Named Inventor: Christopher O. Evans
Attorney Docket Number: 7922-0034-1-1WO

80/94

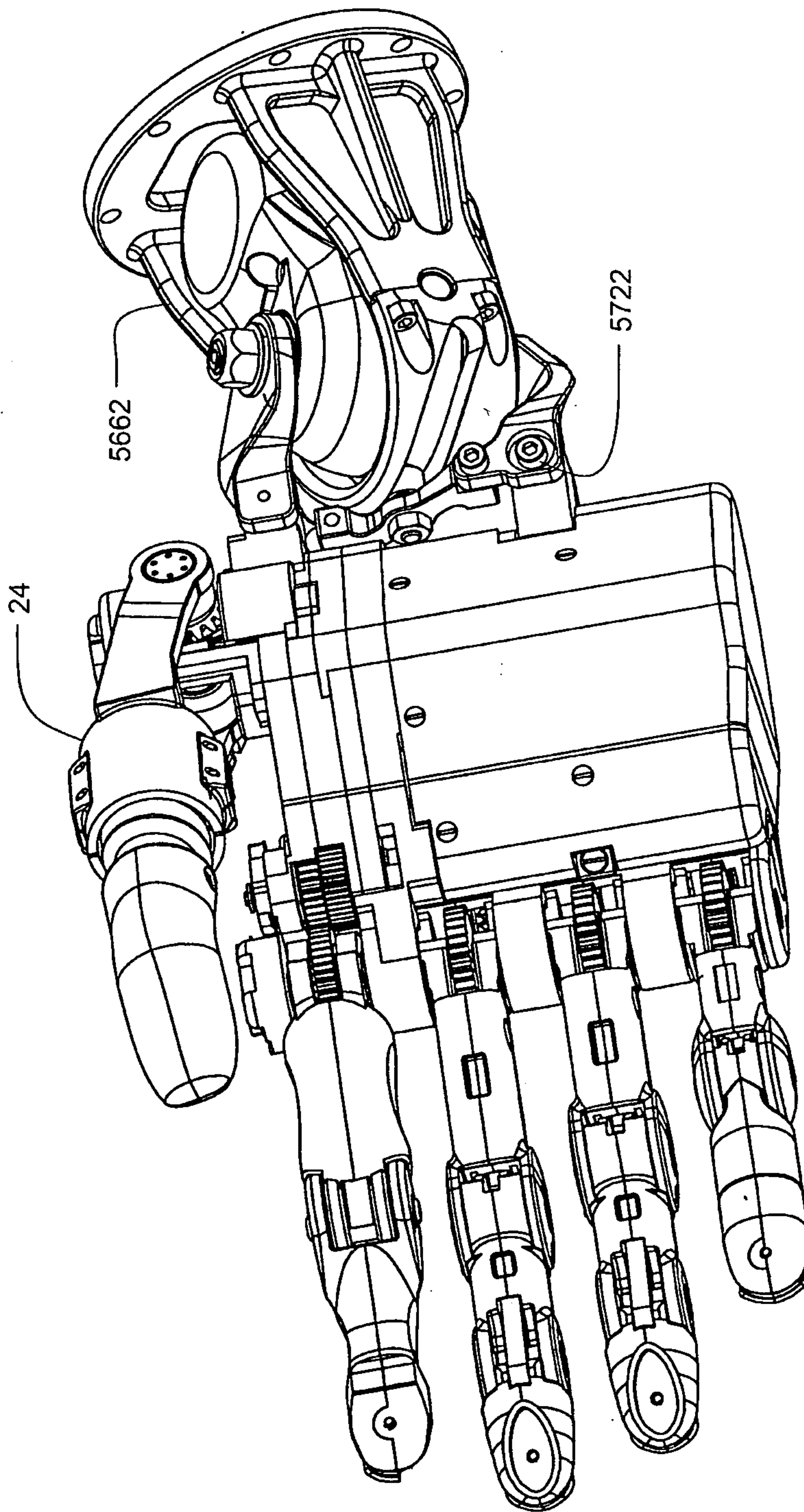


FIG. 87

McCormick, Paulding & Huber LLP
Title: ARM PROSTHETIC DEVICE
First Named Inventor: Christopher O. Evans
Attorney Docket Number: 7922-0034-1-1WO

81/94

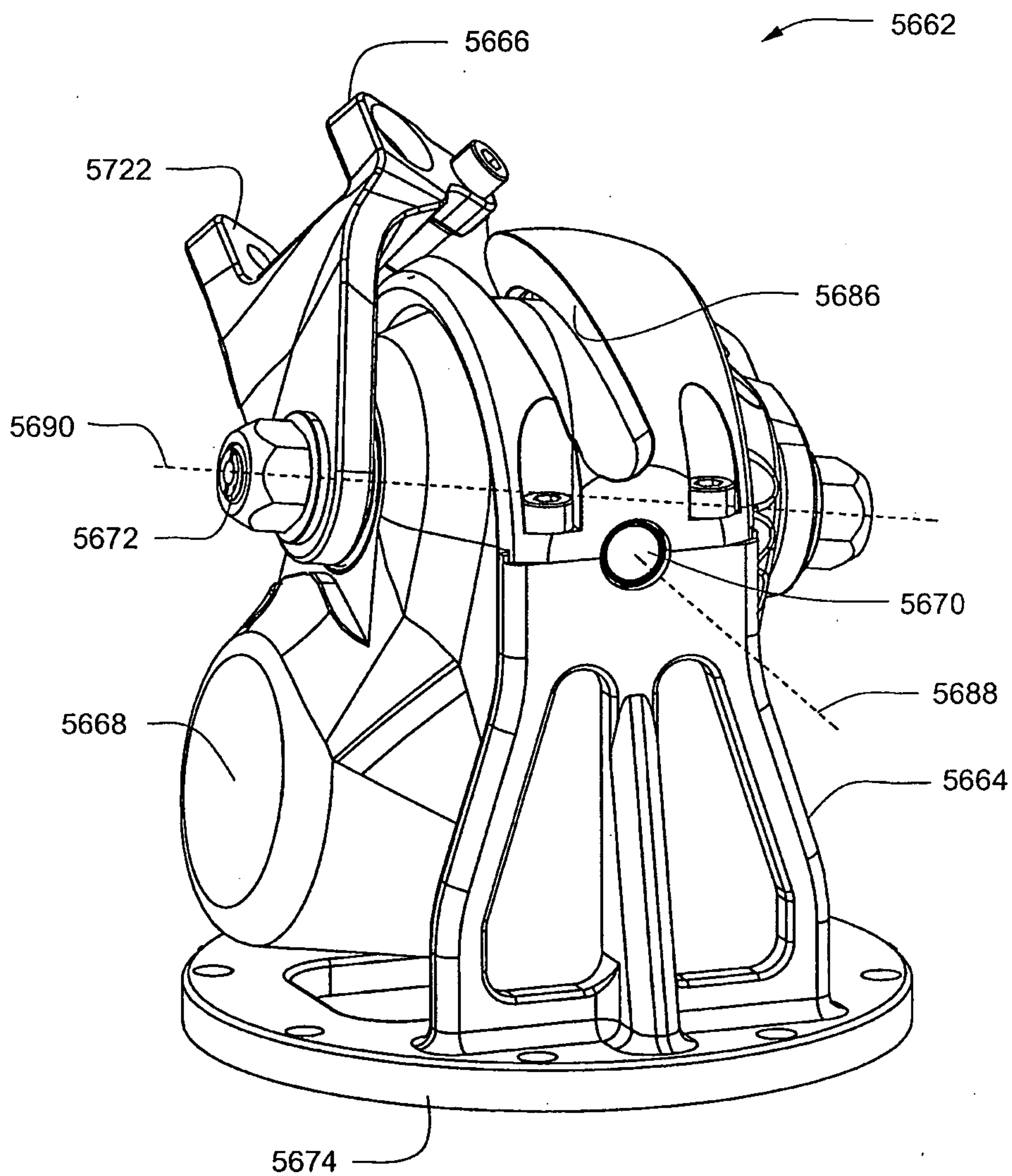
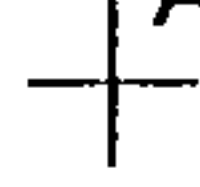


FIG. 88A

McCormick, Paulding & Huber LLP
Title: ARM PROSTHETIC DEVICE
First Named Inventor: Christopher O. Evans
Attorney Docket Number: 7922-0034-1-1WO



82/94

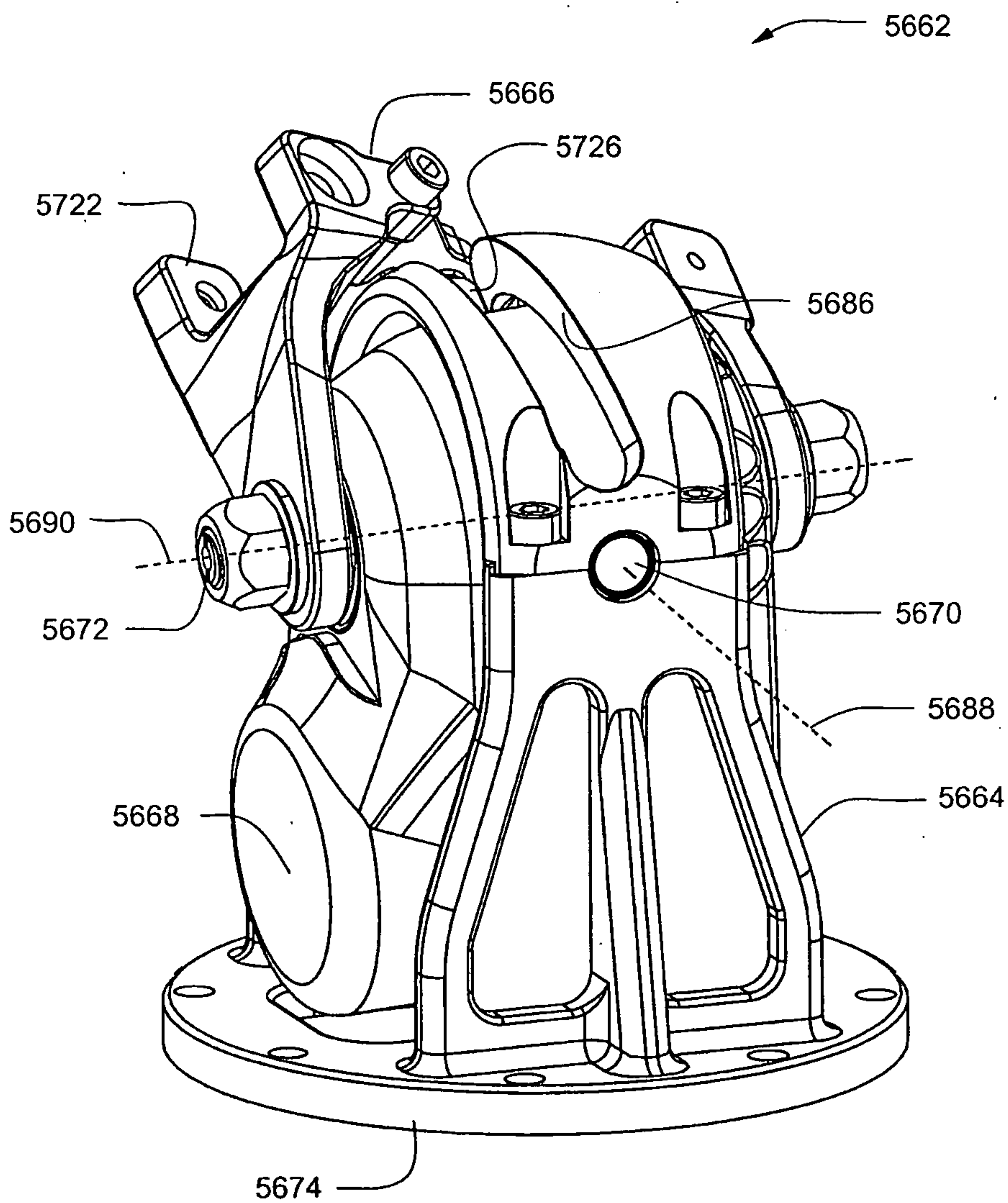


FIG. 88B



McCormick, Paulding & Huber LLP
Title: ARM PROSTHETIC DEVICE
First Named Inventor: Christopher O. Evans
Attorney Docket Number: 7922-0034-1-1WO

83/94

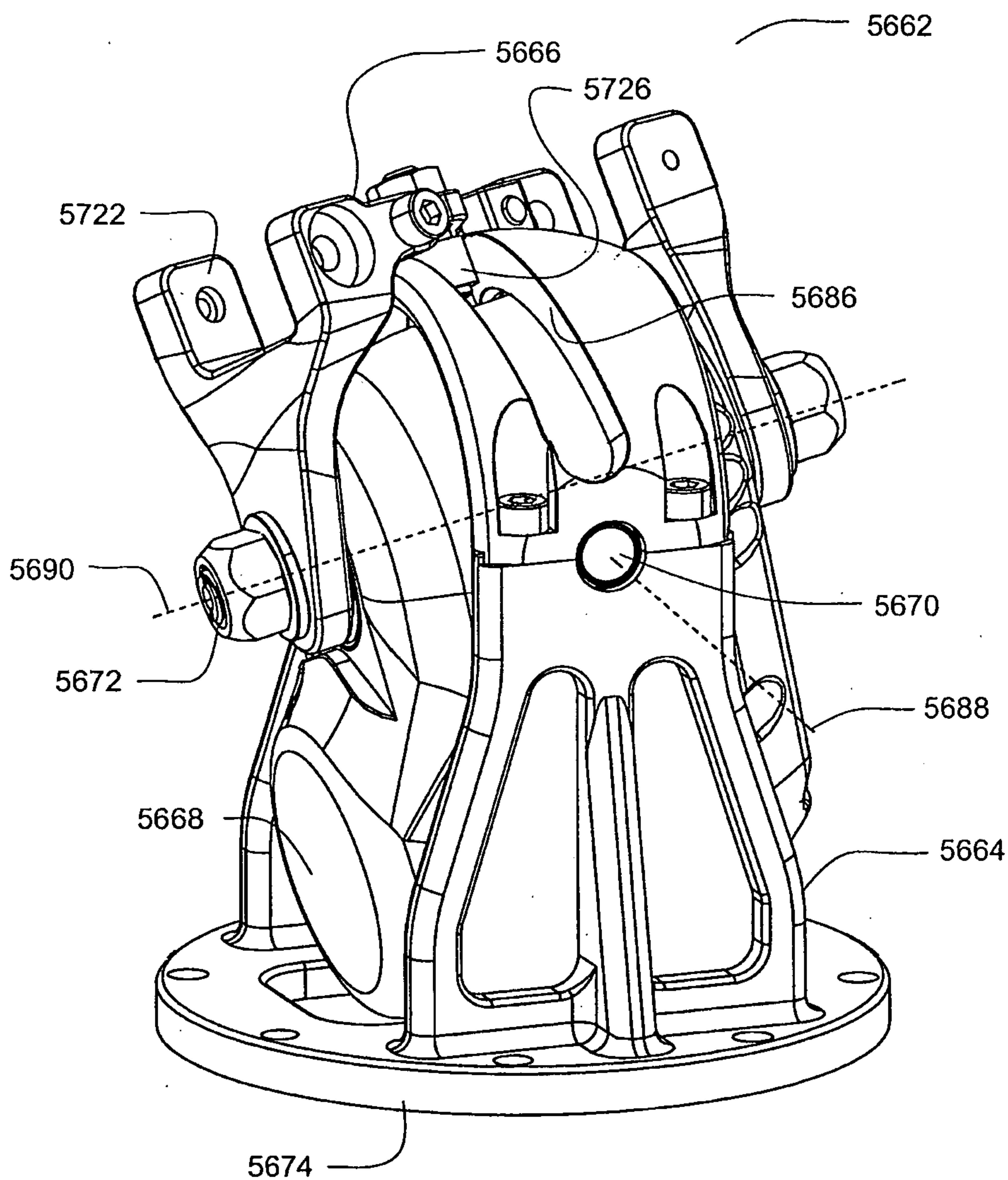


FIG. 88C

McCormick, Paulding & Huber LLP
Title: ARM PROSTHETIC DEVICE
First Named Inventor: Christopher O. Evans
Attorney Docket Number: 7922-0034-1-1WO

84/94

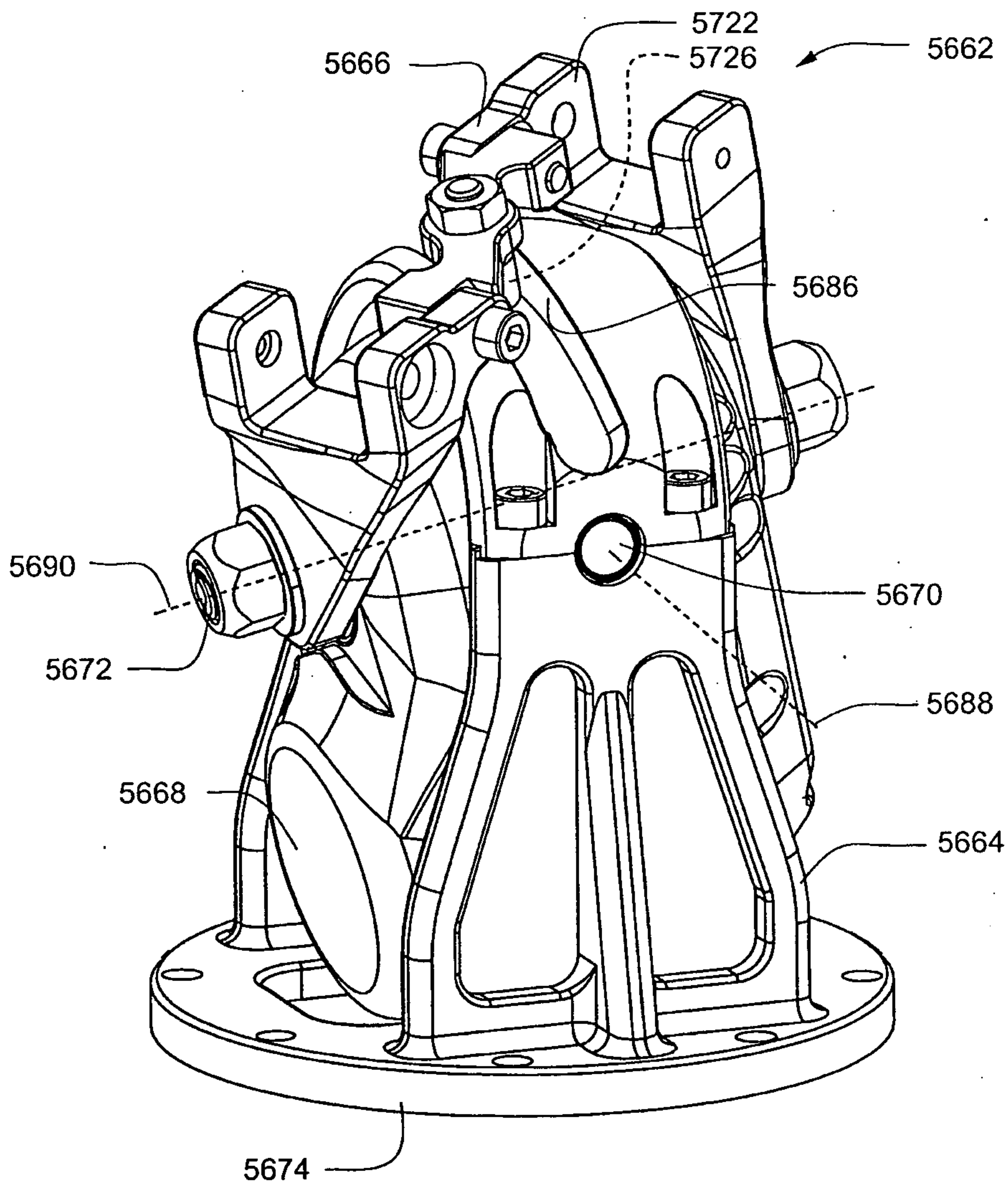


FIG. 88D

McCormick, Paulding & Huber LLP
Title: ARM PROSTHETIC DEVICE
First Named Inventor: Christopher O. Evans
Attorney Docket Number: 7922-0034-1-1WO

85/94

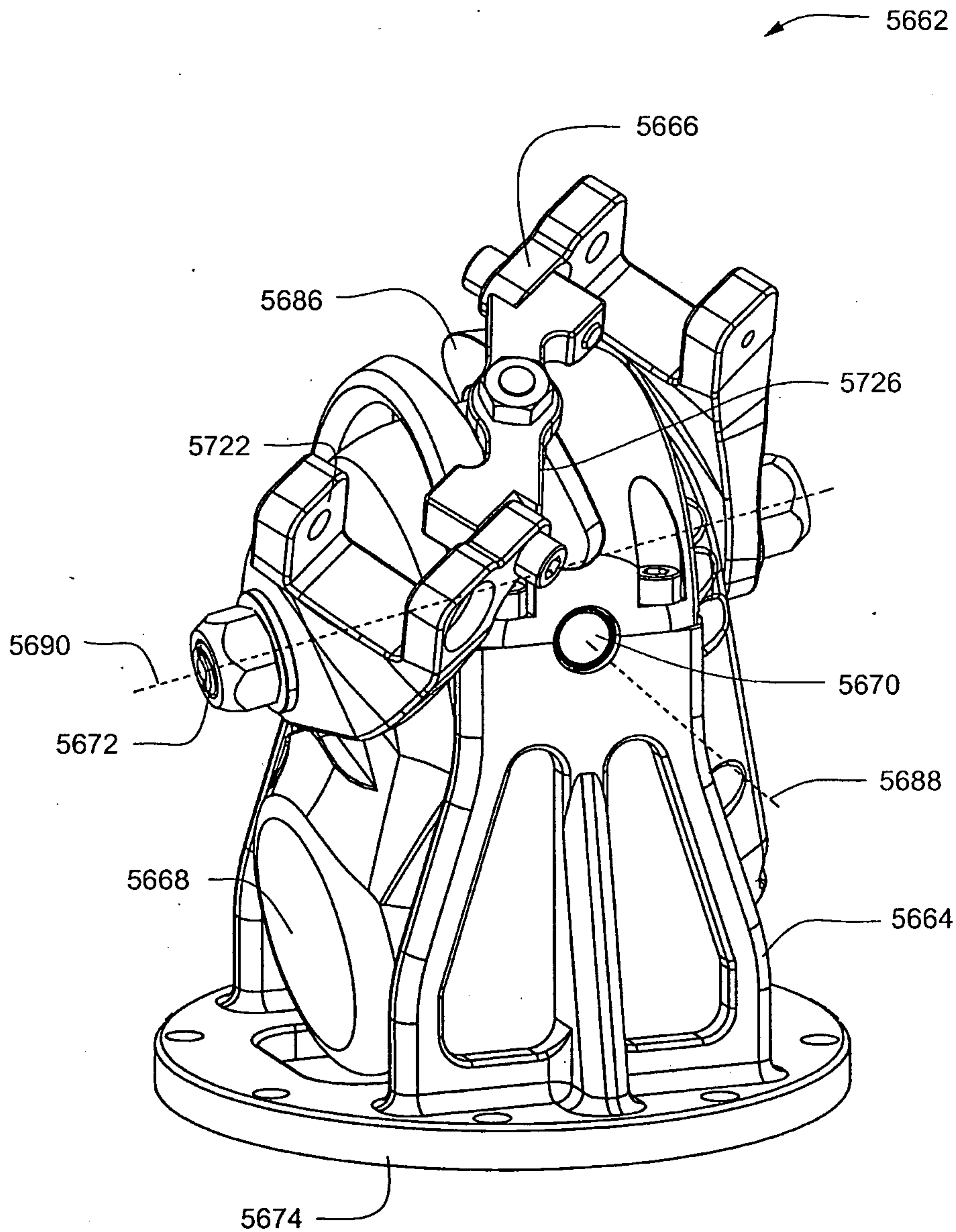


FIG. 88E

McCormick, Paulding & Huber LLP
Title: ARM PROSTHETIC DEVICE
First Named Inventor: Christopher O. Evans
Attorney Docket Number: 7922-0034-1-1WO

+

86/94

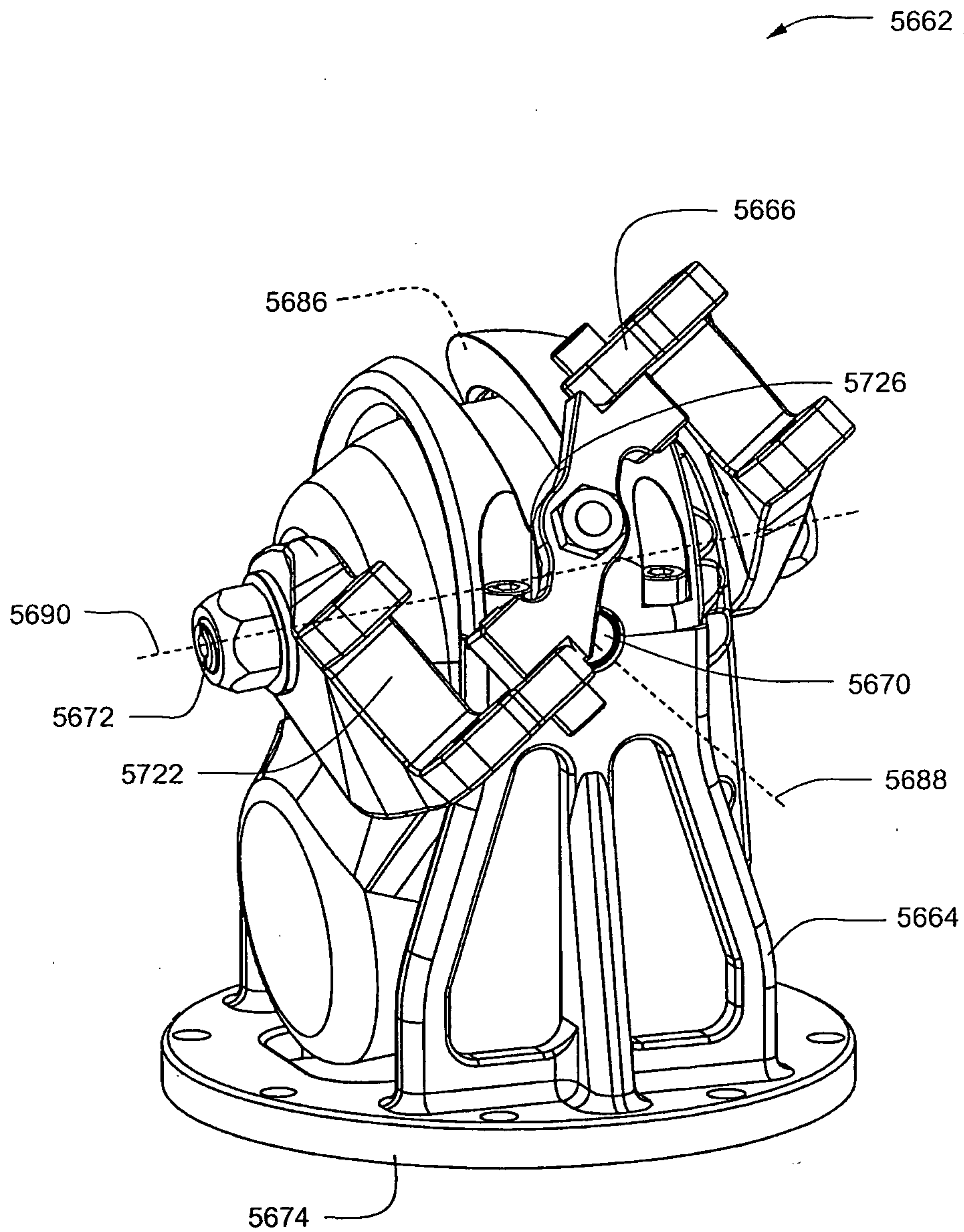


FIG. 88F

+

McCormick, Paulding & Huber LLP
Title: ARM PROSTHETIC DEVICE
First Named Inventor: Christopher O. Evans
Attorney Docket Number: 7922-0034-1-1WO

87/94

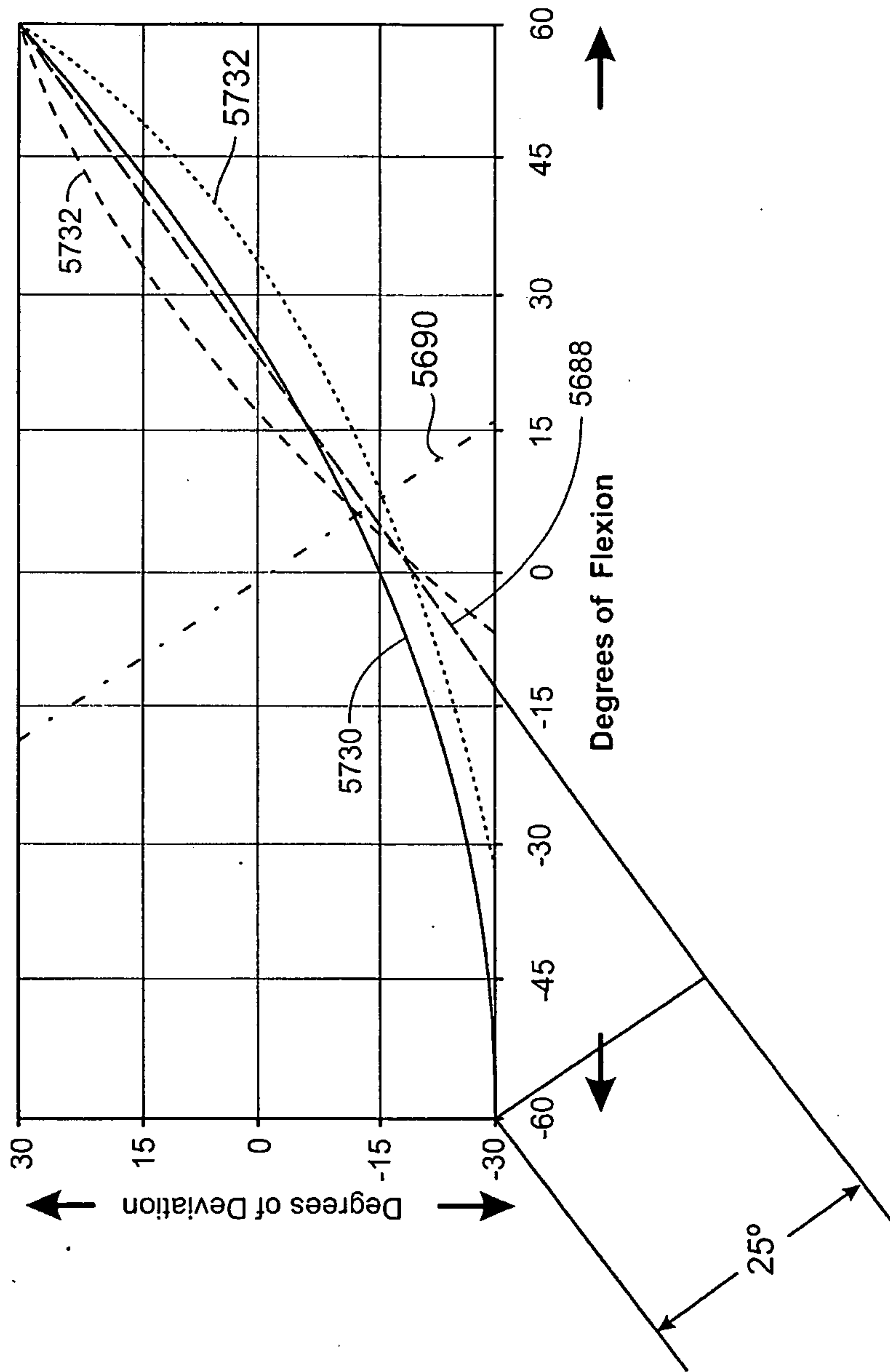


FIG. 89

+

McCormick, Paulding & Huber LLP
Title: ARM PROSTHETIC DEVICE
First Named Inventor: Christopher O. Evans
Attorney Docket Number: 7922-0034-1-1WO

+

88/94

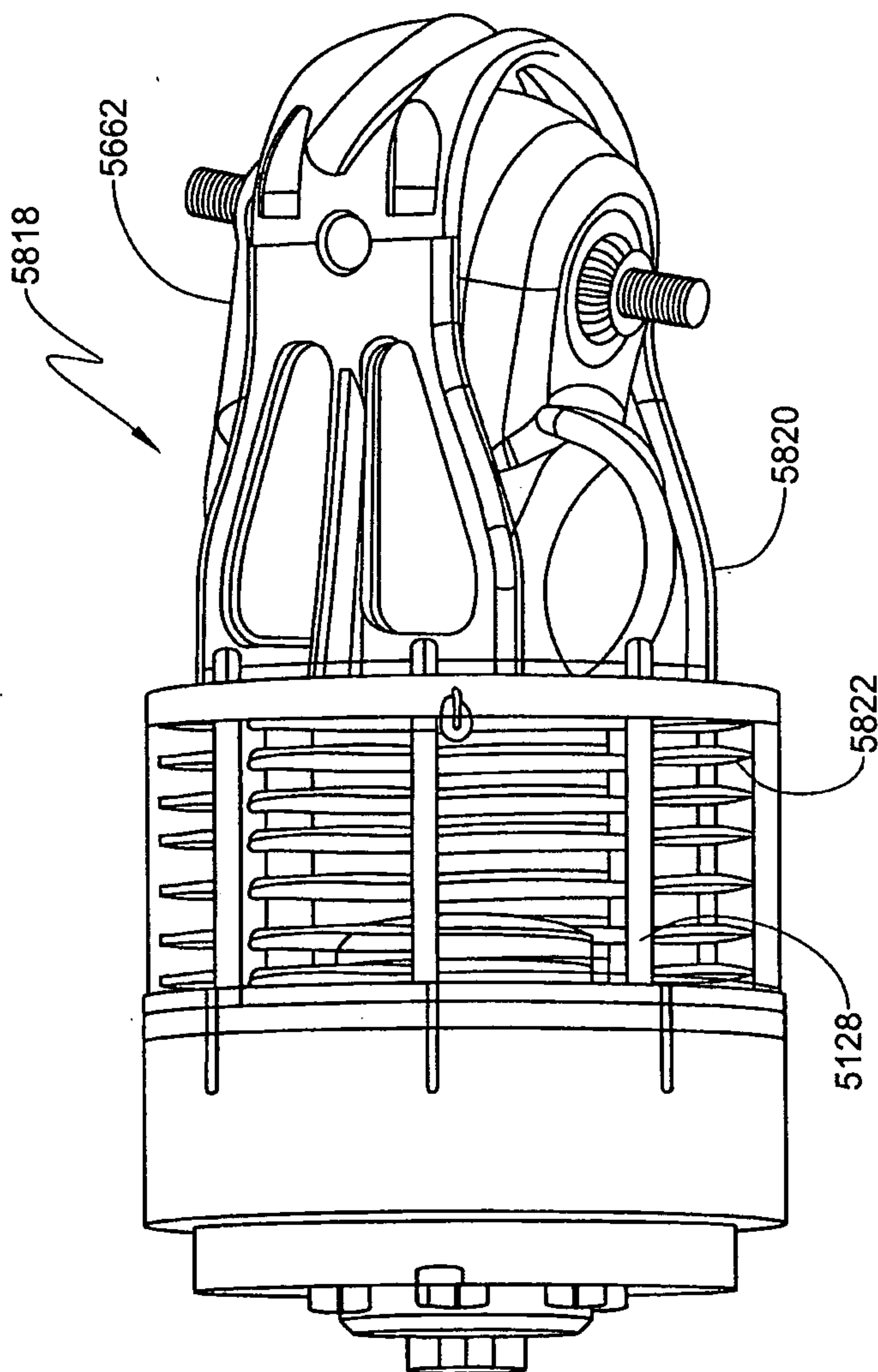


FIG. 90

+

McCormick, Paulding & Huber LLP
Title: ARM PROSTHETIC DEVICE
First Named Inventor: Christopher O. Evans
Attorney Docket Number: 7922-0034-1-1WO

+

89/94

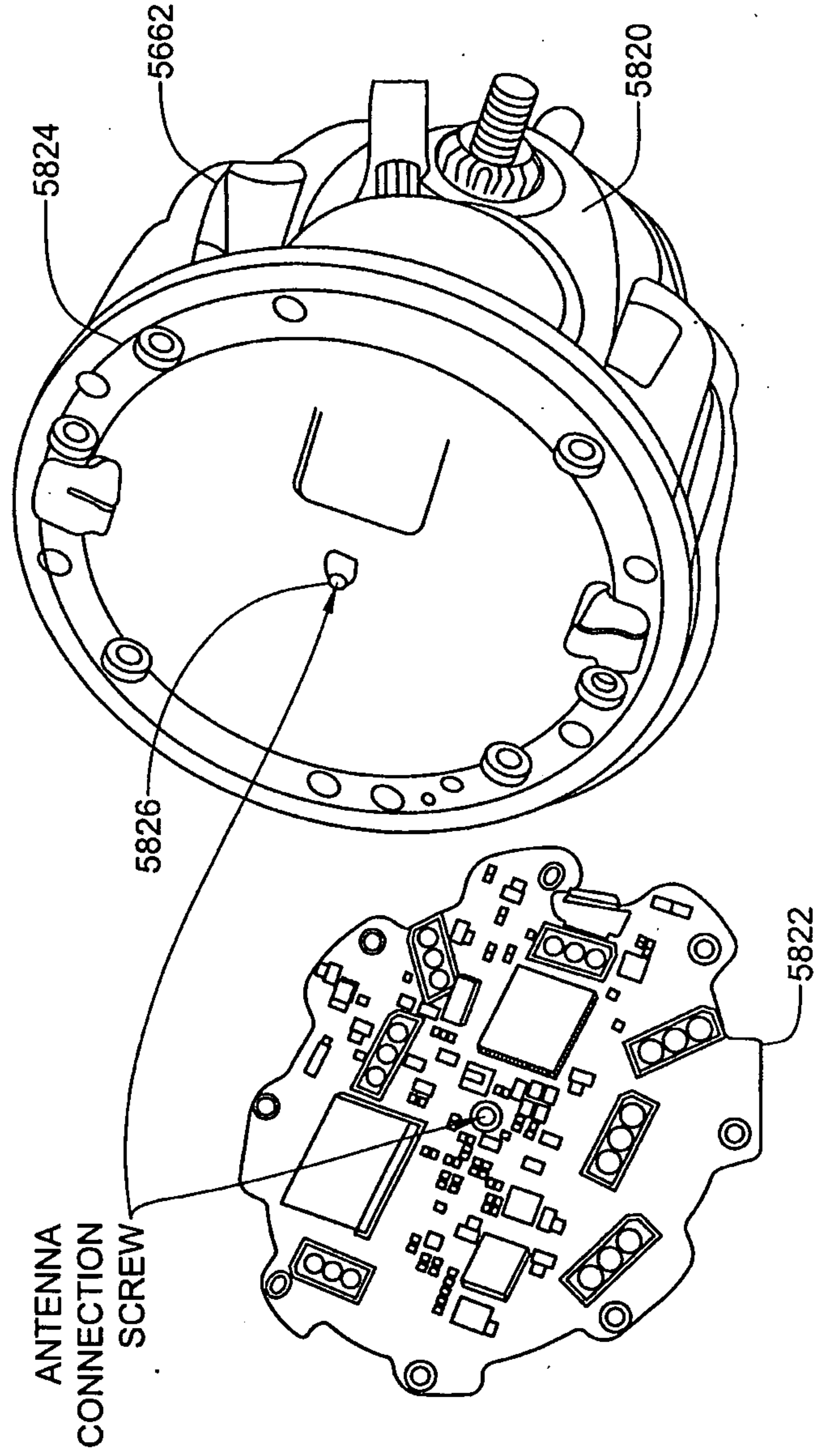


FIG. 91

+

McCormick, Paulding & Huber LLP
Title: ARM PROSTHETIC DEVICE
First Named Inventor: Christopher O. Evans
Attorney Docket Number: 7922-0034-1-1WO

90/94

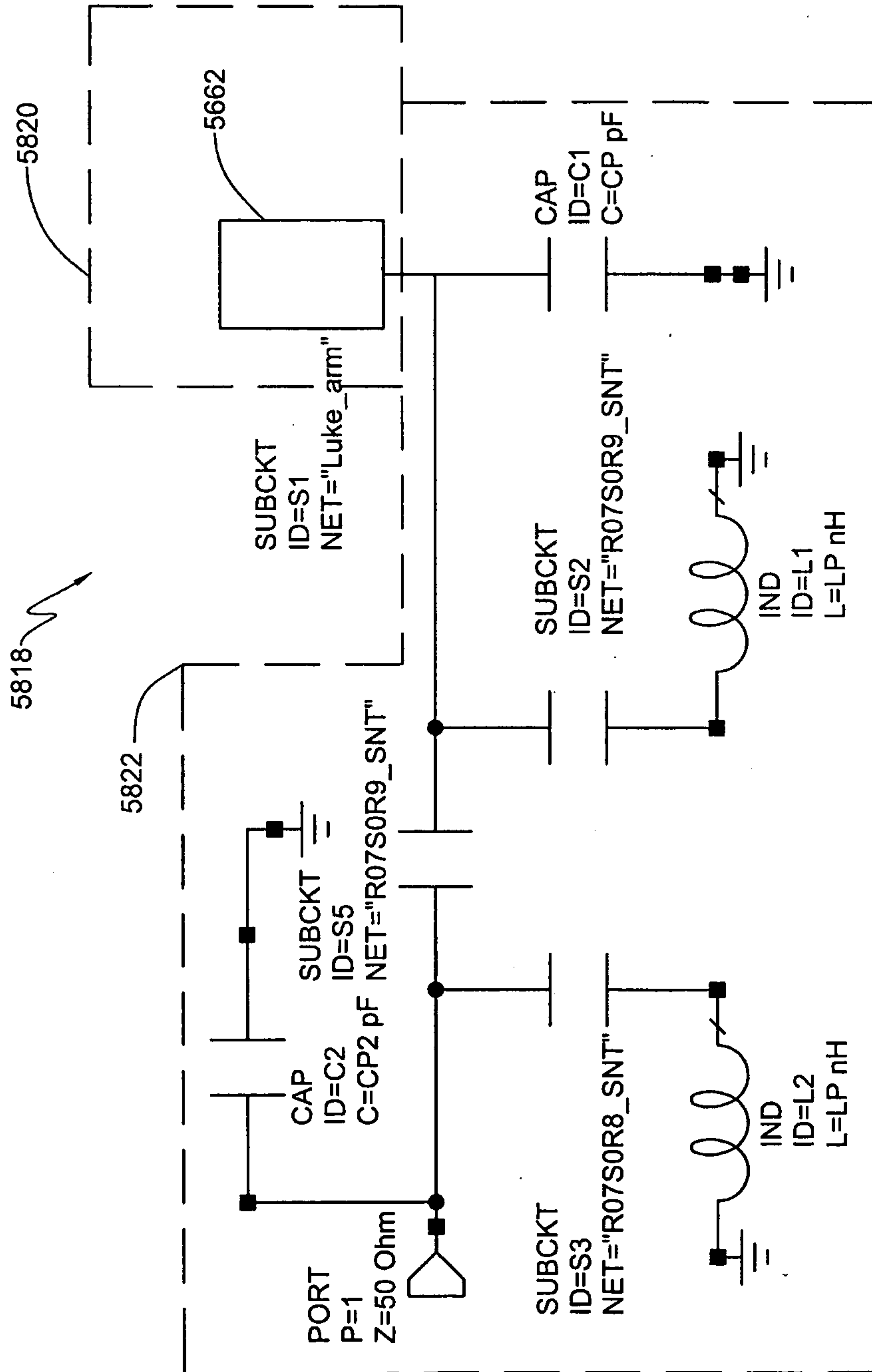


FIG. 92

+

McCormick, Paulding & Huber LLP
Title: ARM PROSTHETIC DEVICE
First Named Inventor: Christopher O. Evans
Attorney Docket Number: 7922-0034-1-1WO

+

91/94

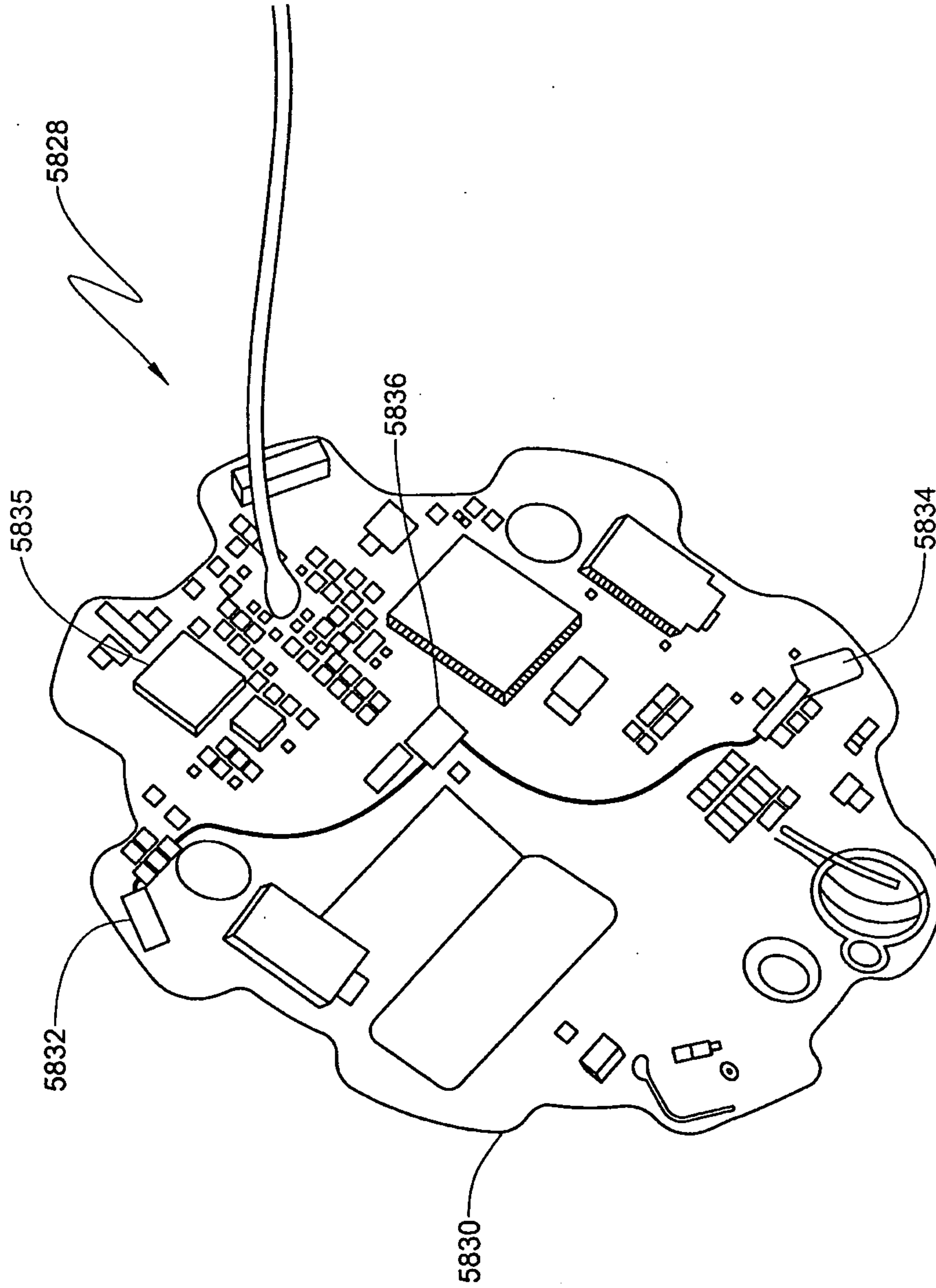


FIG. 93

+

McCormick, Paulding & Huber LLP
Title: ARM PROSTHETIC DEVICE
First Named Inventor: Christopher O. Evans
Attorney Docket Number: 7922-0034-1-1WO

92/94

5828

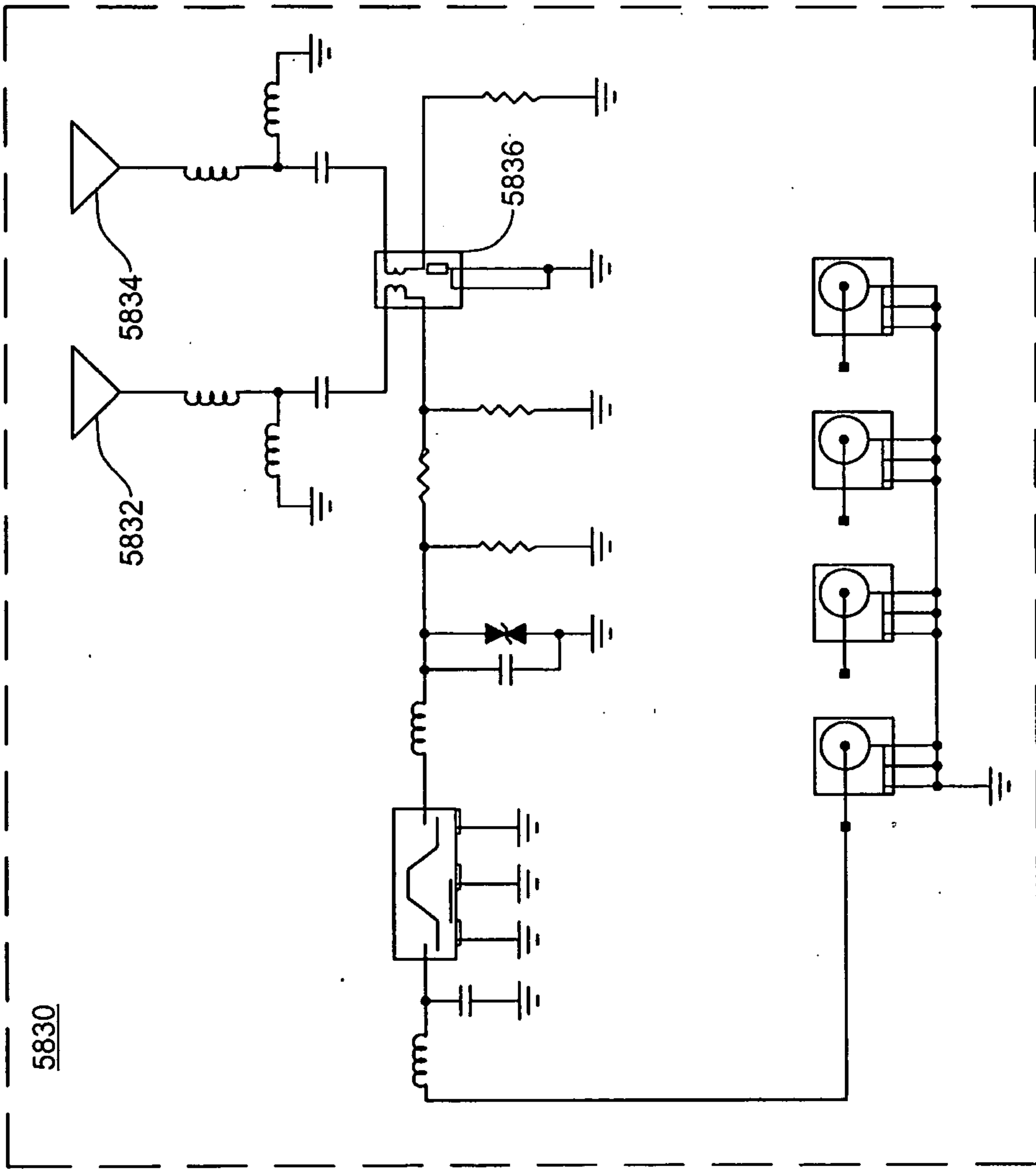


FIG. 94

+

McCormick, Paulding & Huber LLP
Title: ARM PROSTHETIC DEVICE
First Named Inventor: Christopher O. Evans
Attorney Docket Number: 7922-0034-1-1WO

+

93/94

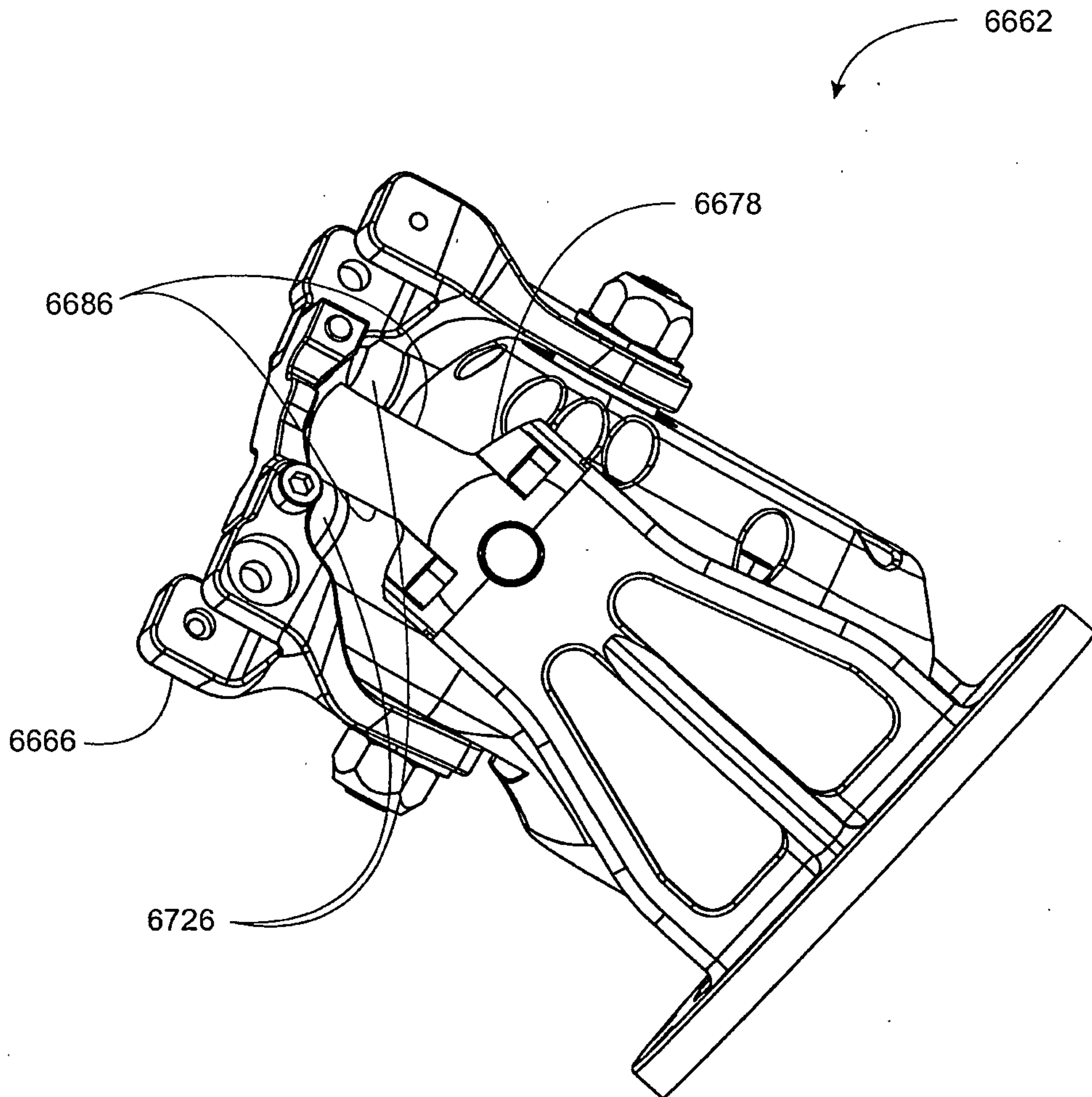


FIG. 95

+

McCormick, Paulding & Huber LLP
Title: ARM PROSTHETIC DEVICE
First Named Inventor: Christopher O. Evans
Attorney Docket Number: 7922-0034-1-1WO

+

94/94

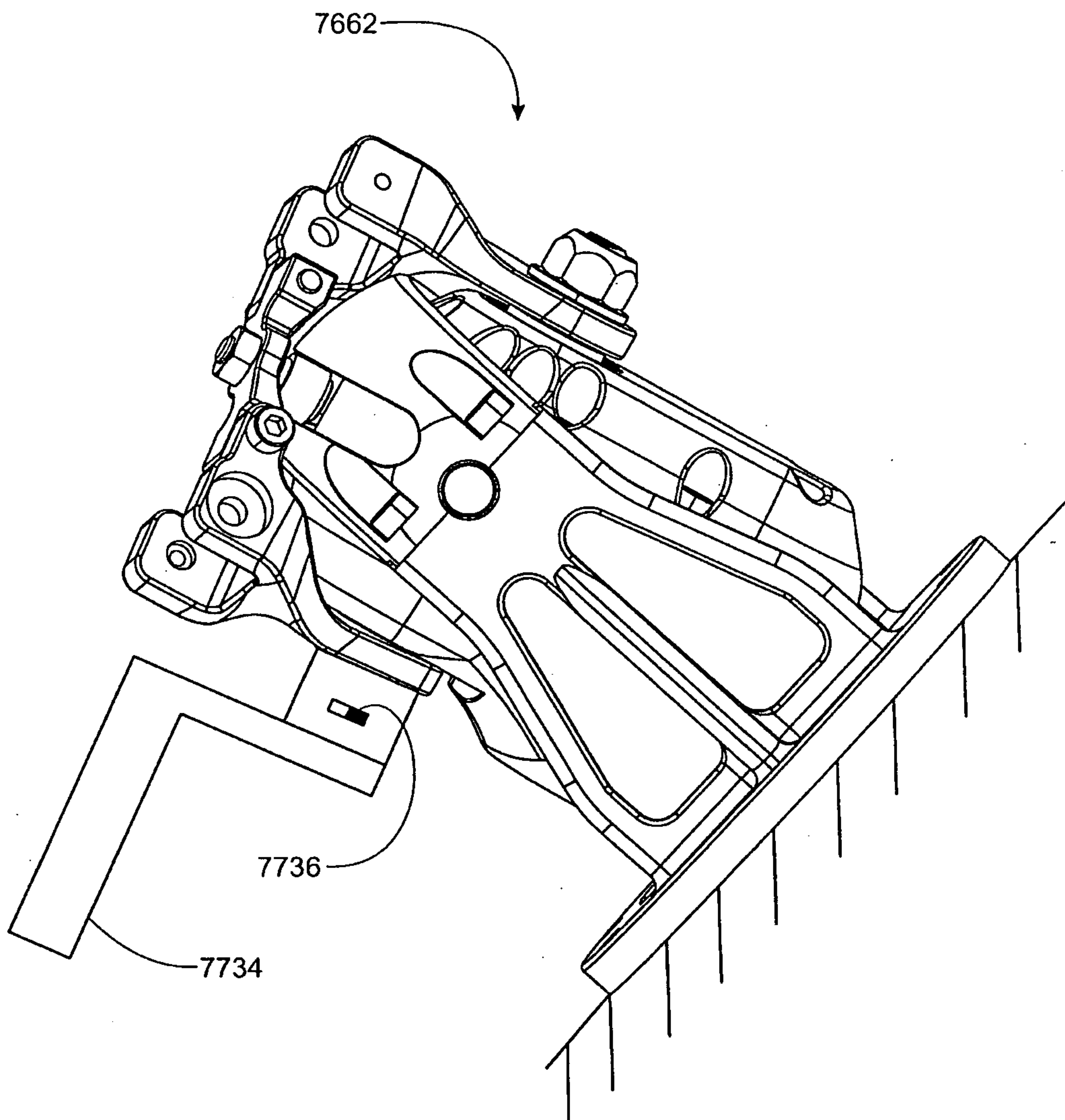


FIG. 96

+

