



US00D818562S

(12) **United States Design Patent**
Yung

(10) **Patent No.:** **US D818,562 S**

(45) **Date of Patent:** **** May 22, 2018**

- (54) **MANIFOLD U-VALVE**
- (71) Applicant: **Eastern Foundry & Fittings Inc.,**
Richmond Hill (CA)
- (72) Inventor: **Jacky Chi Pang Yung,** Richmond Hill
(CA)
- (73) Assignee: **Eastern Foundry & Fittings Inc.,**
Richmond Hill (CA)
- (**) Term: **15 Years**
- (21) Appl. No.: **29/593,572**

D714,910 S *	10/2014	Roden	D23/233
D720,048 S *	12/2014	Winborn	D23/233
D737,408 S *	8/2015	Roden	D23/233
D794,165 S *	8/2017	Adey	D23/233
2008/0115576 A1*	5/2008	Marstorp	F16K 5/06 73/199
2015/0159763 A1*	6/2015	Miller	F16K 5/0689 251/315.1

* cited by examiner

Primary Examiner — Cynthia Ramirez

Assistant Examiner — Gino Colan

(74) *Attorney, Agent, or Firm* — Elan IP Inc.

- (22) Filed: **Feb. 9, 2017**
- (51) **LOC (11) Cl.** **23-01**
- (52) **U.S. Cl.**
USPC **D23/233**
- (58) **Field of Classification Search**
USPC D23/233, 235, 236, 237, 241, 244, 245,
D23/248, 249, 250, 252, 259, 262, 263,
D23/266; 251/315.01, 315.16, 14, 148,
251/172, 181, 129.03, 214, 228, 235, 292,
251/315.03, 315.05, 315.1; 137/15.22,
137/533.11, 15.18, 553, 798
CPC F16K 27/067; F16K 5/0689; F16K 5/0647;
F16K 15/188; F16K 15/183; F16K
31/602; F16K 31/52458; E21B 2034/002;
F16L 37/47
See application file for complete search history.

(56) **References Cited**
U.S. PATENT DOCUMENTS

D678,981 S *	3/2013	Shengyong	D23/233
D705,396 S *	5/2014	Roden	D23/233

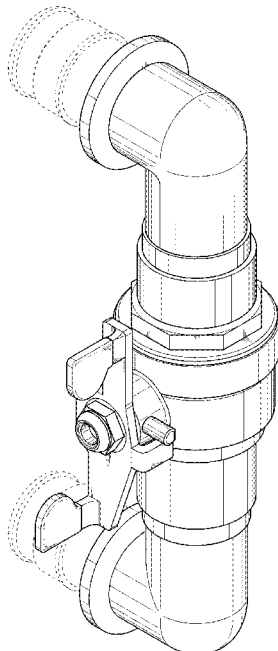
(57) **CLAIM**

The ornamental design for a manifold U-valve, as shown and described.

DESCRIPTION

FIG. 1 is a perspective view of a manifold U-valve showing my new design;
 FIG. 2 is a top plan view thereof;
 FIG. 3 is a bottom plan view thereof;
 FIG. 4 is a left side elevation view thereof;
 FIG. 5 is a right side elevation view thereof
 FIG. 6 is a front elevation view thereof; and,
 FIG. 7 is a rear elevation view thereof.
 The broken lines shown in the drawings are for the purpose of illustrating environment and form no part of the claimed design.

1 Claim, 7 Drawing Sheets



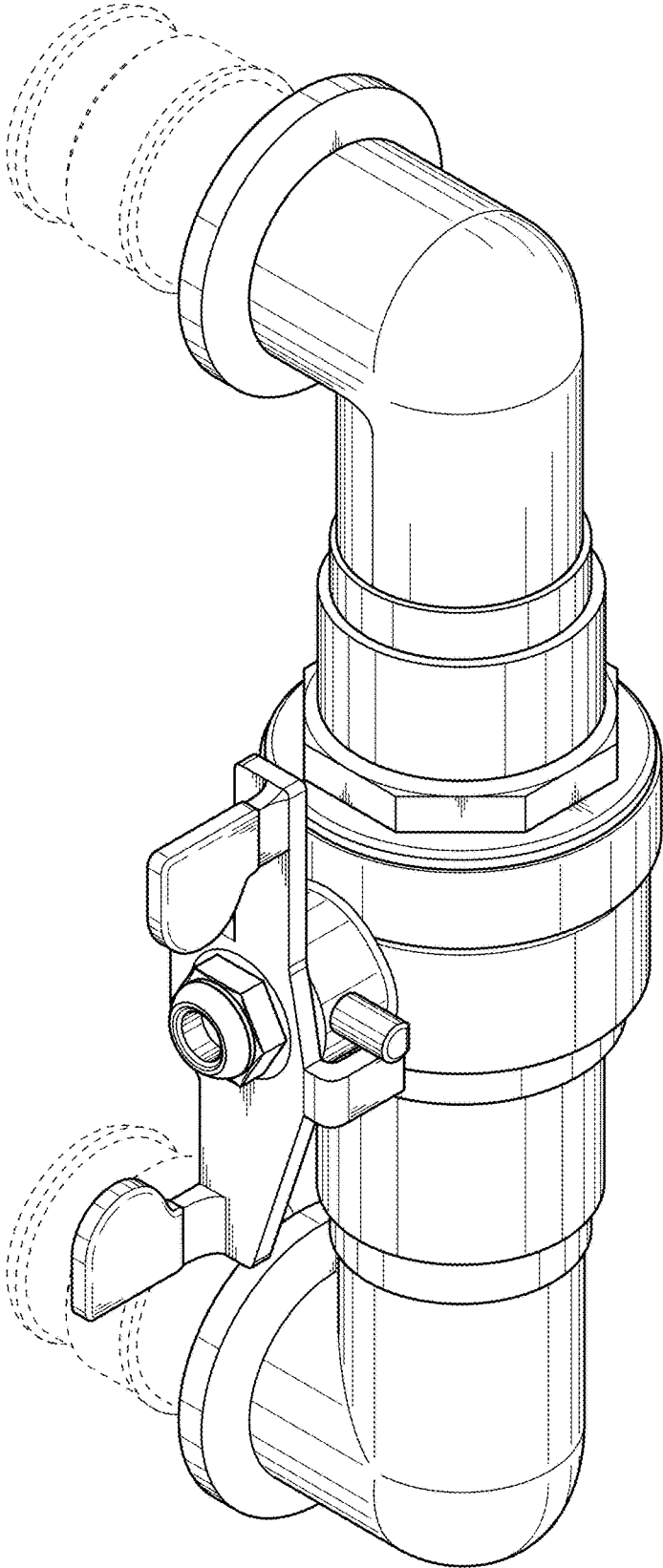


Fig. 1

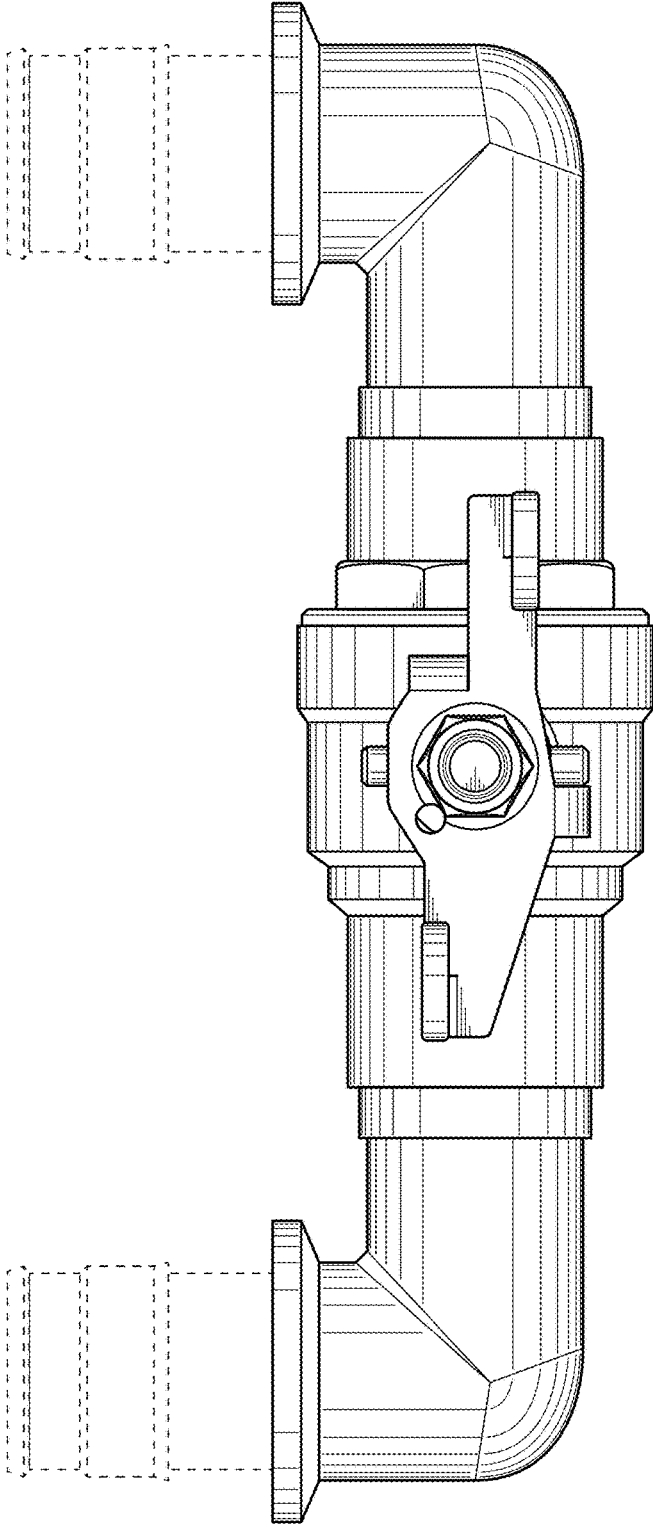


Fig. 2

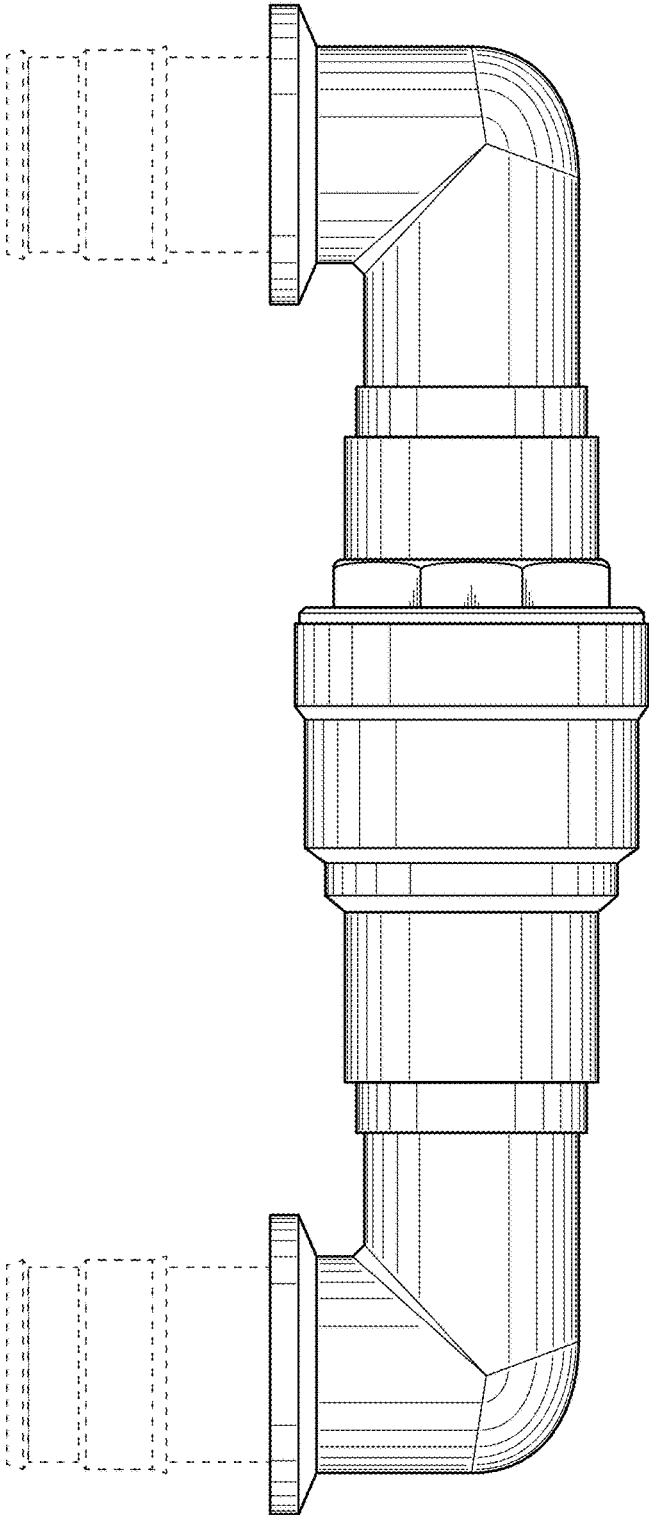


Fig. 3

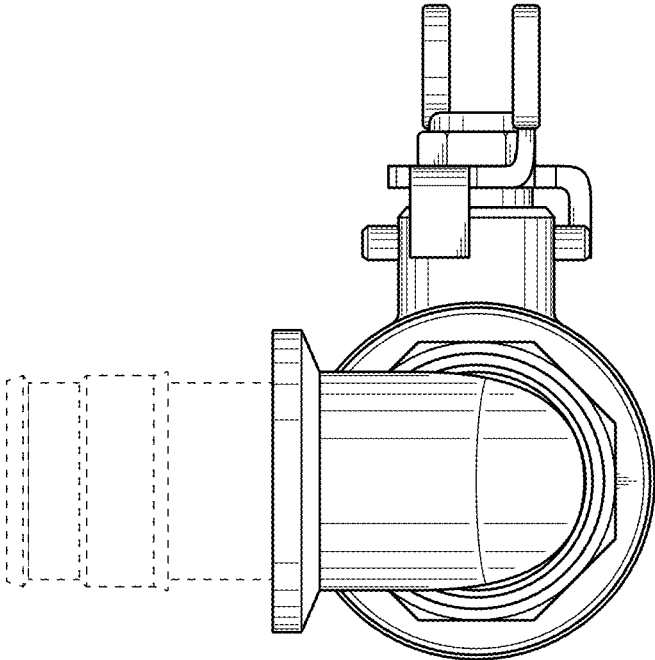


Fig. 4

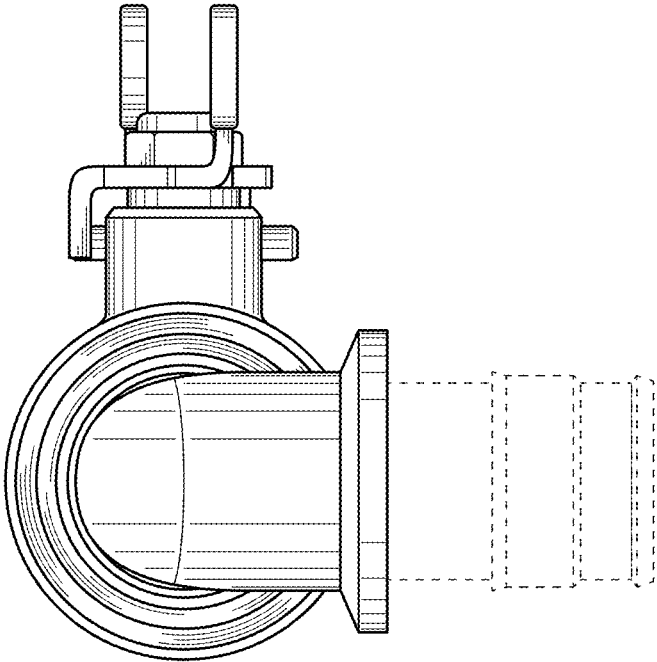


Fig. 5

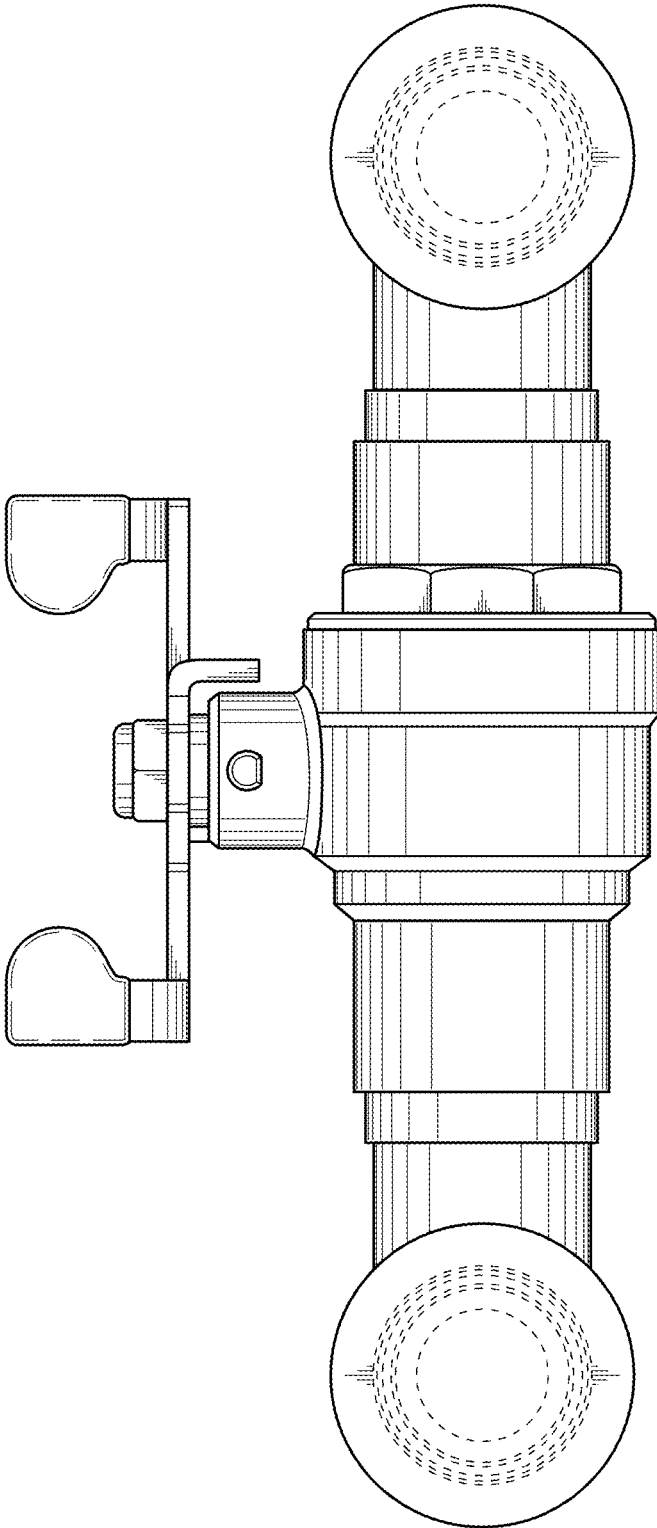


Fig. 6

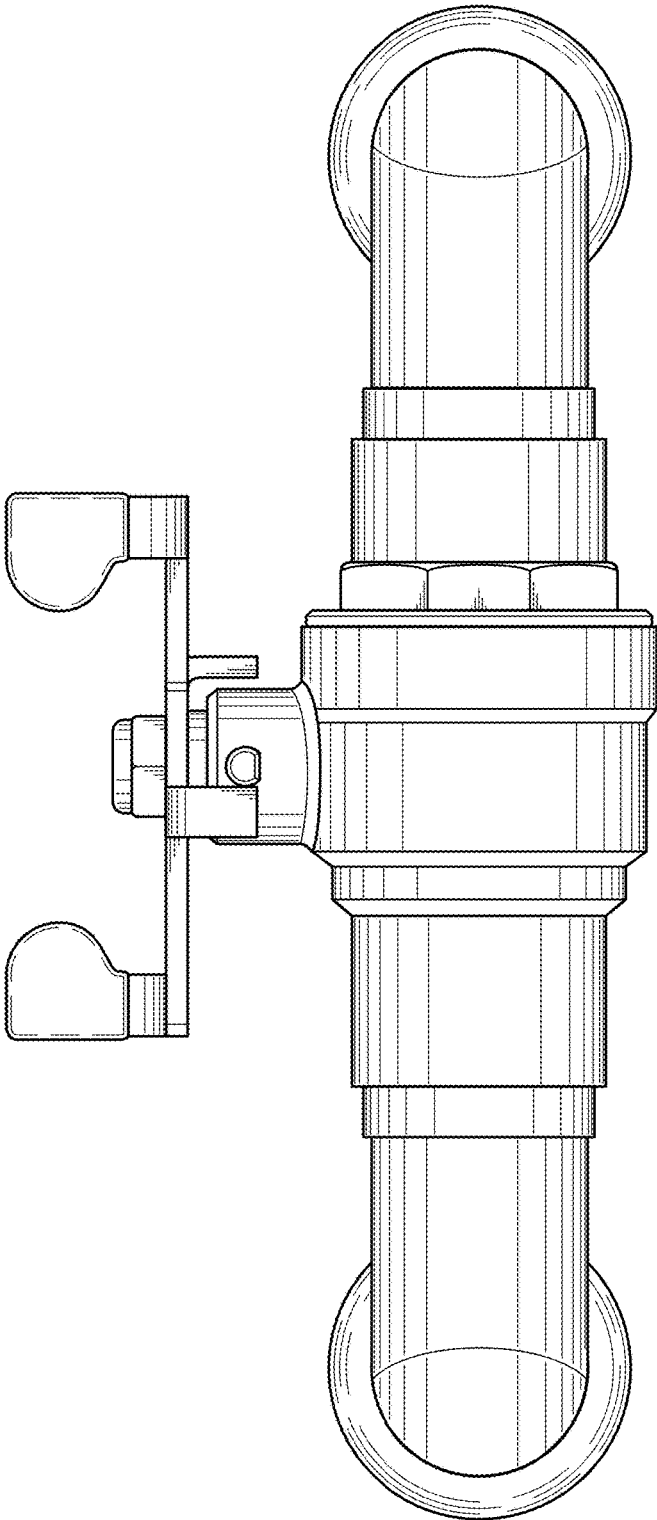


Fig. 7