



US00D348822S

United States Patent [19]

[11] Patent Number: **Des. 348,822**

Donofrio

[45] Date of Patent: **** Jul. 19, 1994**

[54] **DOOR HANDLE ADAPTER**

[56]

References Cited

[75] Inventor: **Philip J. Donofrio**, Oxford, Conn.

U.S. PATENT DOCUMENTS

[73] Assignees: **Leeverall, Inc.**, Ansonia; **Condor Sales**, Orange, both of Conn.

D. 219,861	2/1971	Coffman	D8/308
D. 289,369	4/1987	Foshee	D8/308
4,502,719	3/1985	Perry	292/347
4,648,643	3/1987	Bettger	292/347
4,913,479	4/1990	Allison	292/347
5,231,731	8/1993	Jones, Jr.	16/114 R

[*] Notice: The portion of the term of this patent subsequent to Jan. 25, 2008 has been disclaimed.

Primary Examiner—B. J. Bullock
Attorney, Agent, or Firm—Bachman & LaPointe

[**] Term: **14 Years**

[57] CLAIM

[21] Appl. No.: **6,797**

The ornamental design for a door handle adapter, as shown and described.

[22] Filed: **Apr. 7, 1993**

DESCRIPTION

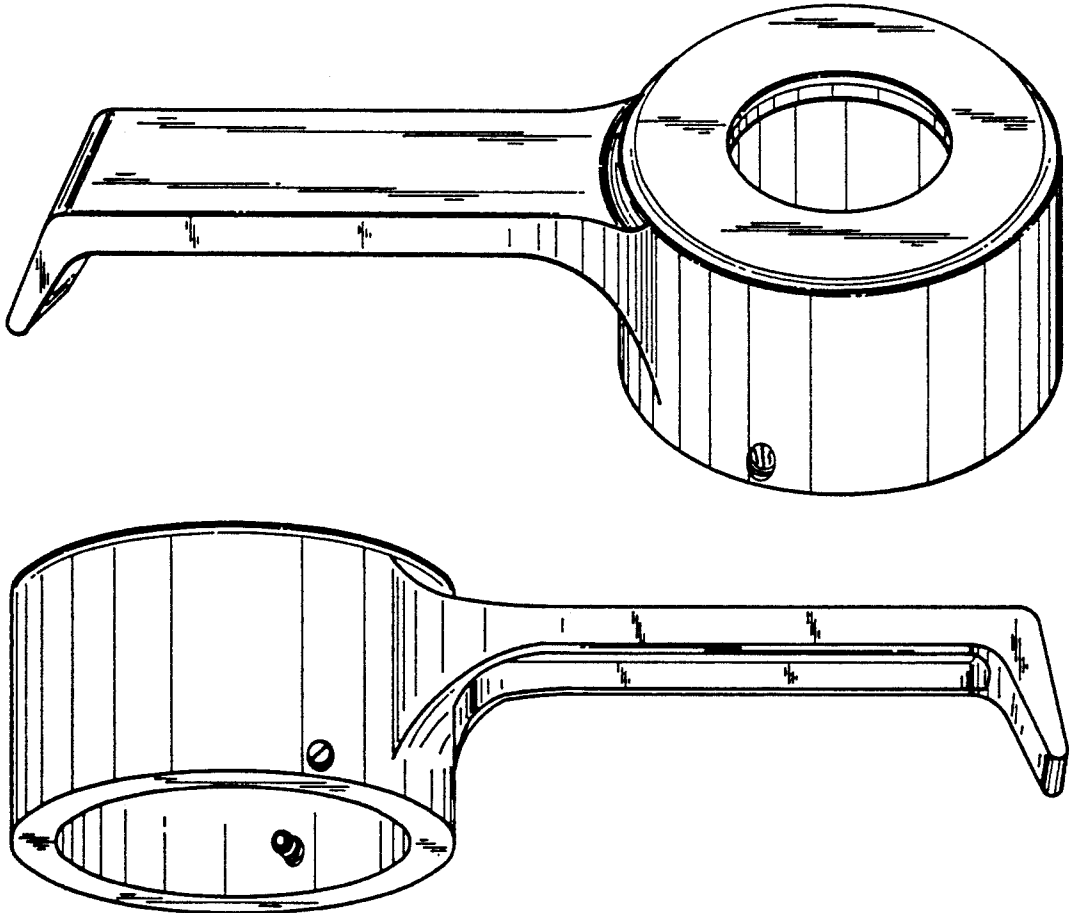
Related U.S. Application Data

[63] Continuation-in-part of Ser. No. 2,952, Dec. 23, 1992, Pat. No. Des. 343,564.

[52] U.S. Cl. **D8/308; D8/321**

[58] Field of Search **D8/307, 308, 321; 16/110 R, 114 R; 292/336.3, DIG. 2, 347, 288**

FIG. 1 is a top plan view of a door handle adapter embodying my new design;
FIG. 2 is a side elevational view taken from the bottom of FIG. 1, the side opposite being a mirror image;
FIG. 3 is a bottom plan view thereof;
FIG. 4 is a top perspective view thereof;
FIG. 5 is a bottom perspective view thereof;
FIG. 6 is a left end elevational view thereof; and,
FIG. 7 is a right end elevational view thereof.



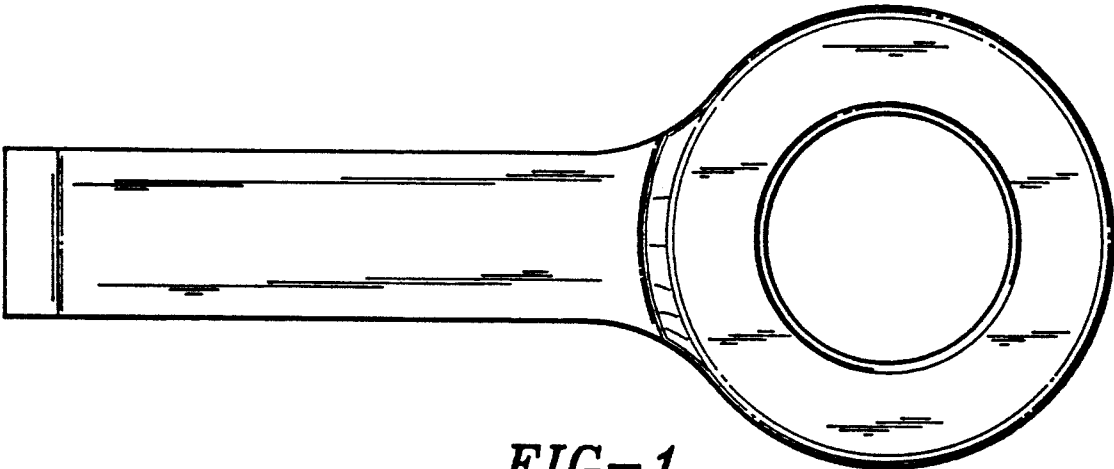


FIG-1

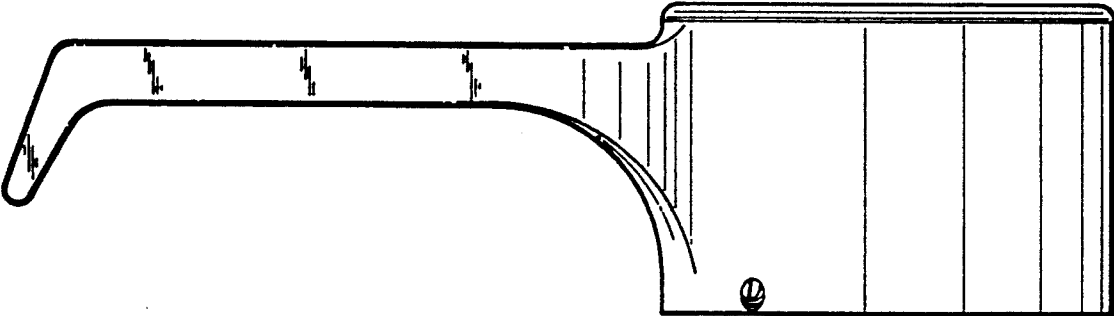


FIG-2

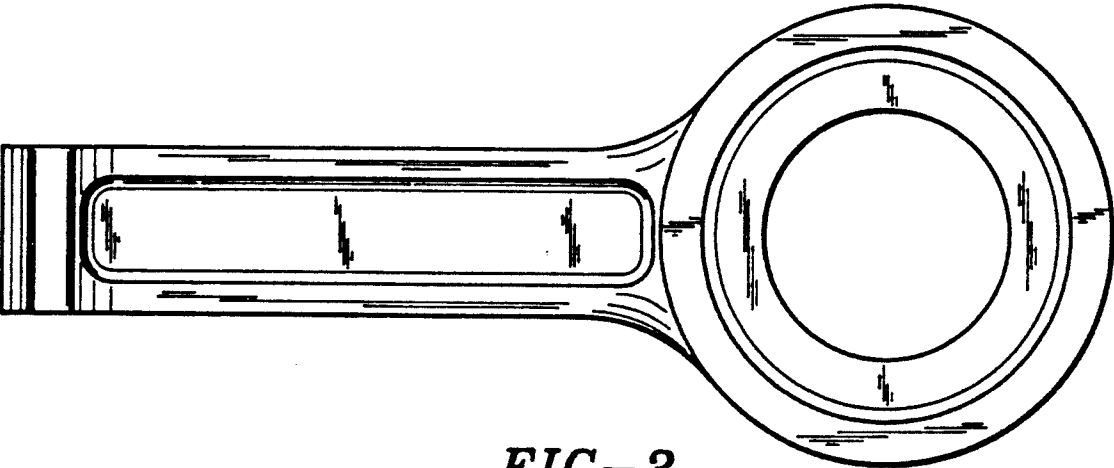


FIG-3

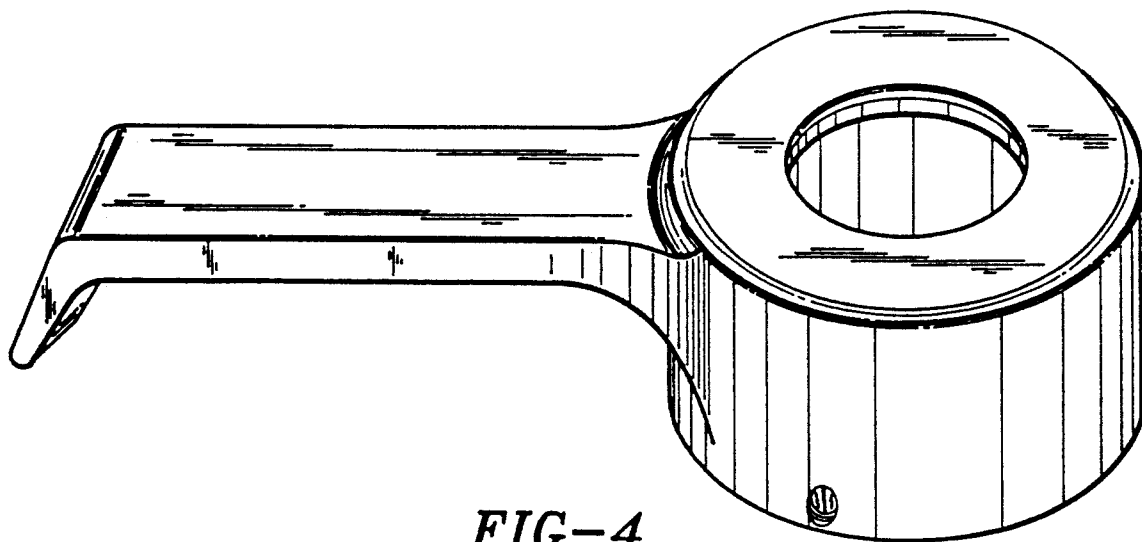


FIG-4

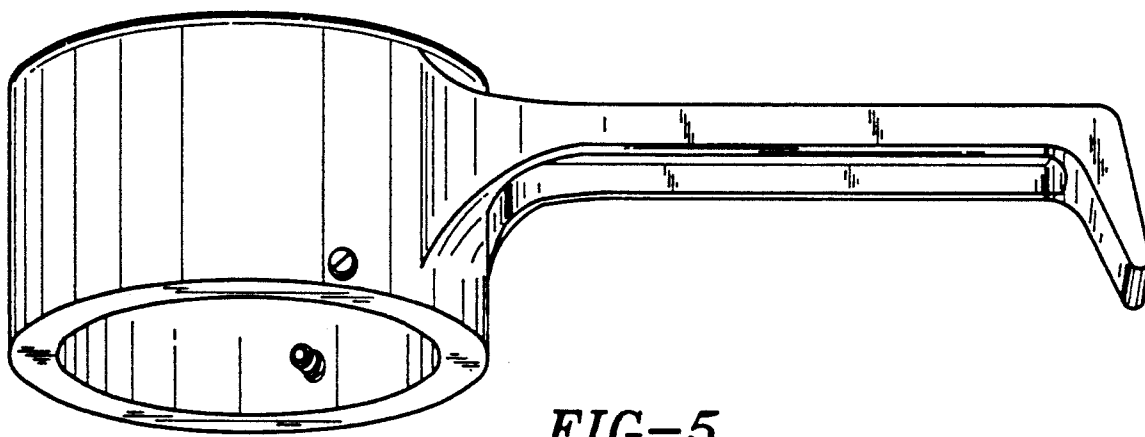


FIG-5

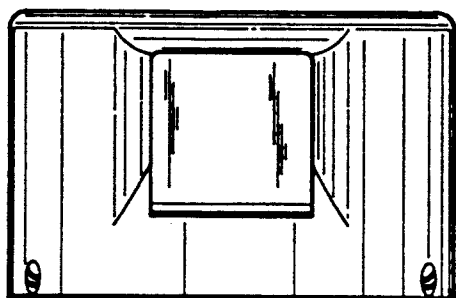


FIG-6

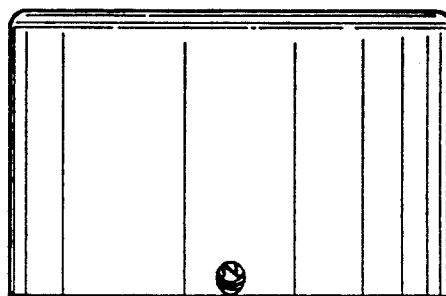


FIG-7