



(51) International Patent Classification:

A61B 1/06 (2006.01) A61B 1/045 (2006.01)
A61B 1/313 (2006.01) A61B 90/00 (2016.01)
A61B 1/00 (2006.01)

(21) International Application Number:

PCT/US2019/038606

(22) International Filing Date:

21 June 2019 (21.06.2019)

(25) Filing Language:

English

(26) Publication Language:

English

(30) Priority Data:

16/440,552 13 June 2019 (13.06.2019) US

(71) Applicant: **VERB SURGICAL INC.** [US/US]; 2450 Bayshore Parkway, Mountain View, California 94043 (US).

(72) Inventor: **VENKATARAMAN, Jagadish**; 2450 Bayshore Parkway, Mountain View, California 94043 (US).

(74) Agent: **AMINI, Farzad E.** et al.; Womble Bond Dickinson (US) LLP, P.O. Box 7037, Atlanta, Georgia 30357-0037 (US).

(81) Designated States (unless otherwise indicated, for every kind of national protection available): AE, AG, AL, AM, AO, AT, AU, AZ, BA, BB, BG, BH, BN, BR, BW, BY, BZ, CA, CH, CL, CN, CO, CR, CU, CZ, DE, DJ, DK, DM, DO, DZ, EC, EE, EG, ES, FI, GB, GD, GE, GH, GM, GT, HN, HR, HU, ID, IL, IN, IR, IS, JO, JP, KE, KG, KH, KN, KP, KR, KW, KZ, LA, LC, LK, LR, LS, LU, LY, MA, MD, ME, MG, MK, MN, MW, MX, MY, MZ, NA, NG, NI, NO, NZ, OM, PA, PE, PG, PH, PL, PT, QA, RO, RS, RU, RW, SA, SC, SD, SE, SG, SK, SL, SM, ST, SV, SY, TH, TJ, TM, TN, TR, TT, TZ, UA, UG, US, UZ, VC, VN, ZA, ZM, ZW.

(84) Designated States (unless otherwise indicated, for every kind of regional protection available): ARIPO (BW, GH, GM, KE, LR, LS, MW, MZ, NA, RW, SD, SL, ST, SZ, TZ, UG, ZM, ZW), Eurasian (AM, AZ, BY, KG, KZ, RU, TJ, TM), European (AL, AT, BE, BG, CH, CY, CZ, DE, DK, EE, ES, FI, FR, GB, GR, HR, HU, IE, IS, IT, LT, LU, LV, MC, MK, MT, NL, NO, PL, PT, RO, RS, SE, SI, SK, SM, TR), OAPI (BF, BJ, CF, CG, CI, CM, GA, GN, GQ, GW, KM, ML, MR, NE, SN, TD, TG).

(54) Title: METHOD AND SYSTEM FOR AUTOMATICALLY TURNING ON/OFF A LIGHT SOURCE FOR AN ENDOSCOPE DURING A SURGERY

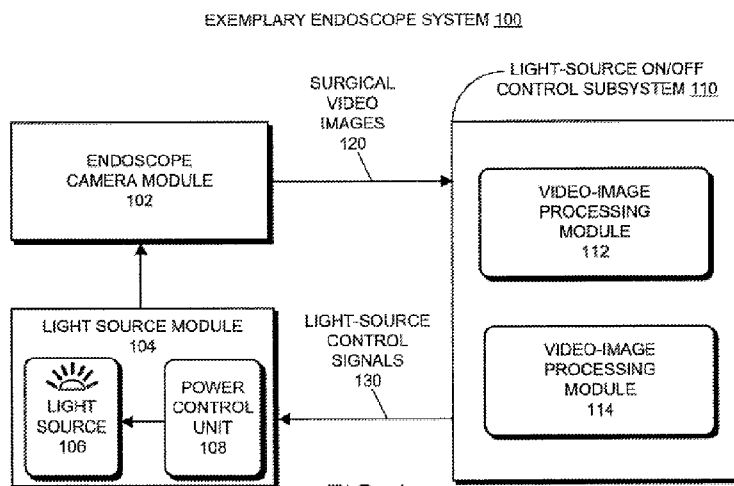


FIG. 1

(57) Abstract: In this patent disclosure, a machine-learning-based system for automatically turning on/off a light source of an endoscope camera during a surgical procedure is disclosed. The disclosed system can receive a sequence of video images captured by the endoscope camera when the light source is turned on. The system next analyzes the sequence of video images using a machine-learning classifier to classify each video image as a first class of image of being inside the patient's body or a second class of image of being outside of the patient's body. The system next determines whether the endoscope camera is inside or outside of the patient's body based on the classified video images. When the endoscope camera is determined to be outside of the patient's body, the system generates a control signal for turning off the light source, wherein the control signal is used to immediately turn off the light source.



Declarations under Rule 4.17:

- *as to applicant's entitlement to apply for and be granted a patent (Rule 4.17(ii))*
- *as to the applicant's entitlement to claim the priority of the earlier application (Rule 4.17(iii))*

Published:

- *with international search report (Art. 21(3))*

METHOD AND SYSTEM FOR AUTOMATICALLY TURNING ON/OFF A LIGHT SOURCE FOR AN ENDOSCOPE DURING A SURGERY

TECHNICAL FIELD

[0001] The present disclosure generally relates to surgical automation and, more specifically, to systems, devices and techniques for automatically turning on/off a light source of an endoscope when the endoscope is being put into/taken out of a patient's body or pointed at a white object for automatic white balancing.

BACKGROUND

[0002] During a laparoscopic or robotic surgery, the endoscope inside a patient's body may need to be taken out of the patient's body for various reasons, such as for lens cleaning, and then put back into the patient's body to continue its imaging function. The endoscope is generally equipped with a powerful light source, such as a light-emitting diode (LED) or a laser, wherein the light generated by the light source travels down to the distal end of the endoscope inside the patient's body to illuminate the body's cavity so that the endoscope camera can "see" and record. However, if this powerful light source is not turned off when the endoscope is taken out of the patient's body, accidentally pointing the endoscope at the eyes of any of the nearby surgical staff can cause significant retinal damage that can be potentially permanent. In order to avoid this potential health risk when the endoscope is outside of the patient's body, an operator of the endoscope is trained to immediately hold his/her palm against the end of the endoscope until the light source is manually turned off. Similarly, before inserting the endoscope back into the patient's body, the operator needs to manually turn the light source back on, hold his/her palm against the end of the endoscope to block off the light until the endoscope has entered the trocar or otherwise been inserted into the patient's body.

[0003] However, the manual control of turning on/off the endoscope light source can still pose risks to the surgical staff if the surgeon taking the endoscope out has poor coordination between blocking off the light and turning off the light source, or simply forgets to turn off the light source. Moreover, in certain operating room (OR) setups, it is the responsibility of a circulating nurse or a scrub technologist to turn on or off the light source depending on whether the surgeon is driving the endoscope into the patient's body or taking it out. These setups depend on the coordination between the surgical staff and the surgeon to ensure the safety of people in the OR, and therefore can have higher associated risks of accidental light exposure than having the surgeon controlling both the endoscope and the on/off state of the light source.

[0004] Hence, there is a need for an automatic process of turning on/off the endoscope

light source when the endoscope is being inserted into/taken out of the patient's body without the problems described above.

SUMMARY

[0005] This patent disclosure provides various embodiments of a machine-learning-based detection/control technique for enabling automatically turning on/off a light source of an endoscope when the endoscope is being inserted into/taken out of a patient's body or pointed at a white object for automatic white balancing. In some embodiments, to enable automatically turning on/off an LED light source or a laser light source, a statistical classifier for video scene analysis, and in particular for distinguishing between scenes from inside the patient's body and scenes from outside of the patient's body was first constructed. Next, the statistical classifier can be applied to real-time video images captured by the endoscope to determine a state for the endoscope, such as whether the endoscope is inside the patient's body or outside of the patient's body. In this manner, a change of state of the endoscope can be automatically detected.

[0006] More specifically, if the state of the endoscope has changed from being inside the patient's body to being outside of the patient's body, a control signal can be immediately generated to turn off the light source for the endoscope. On the other hand, if the state of the endoscope has changed from being outside of the patient's body to being inside of the patient's body, a control signal can be immediately generated to turn on the light source for the endoscope. Hence, the disclosed control technique eliminates the need for manual intervention in turning on/off the light source for the endoscope camera. Note that the disclosed technique essentially detects transitions of the endoscope between the two states, and therefore the detection of the state changes is instant with a minimal latency. In other words, the disclosed technique can instantly detect the first moment when the endoscope is outside of the patient's body and immediately cause the light source to be turned off.

[0007] It is another objective of this patent disclosure to provide a technique for enabling automatically turning on/off the white balance mode of the endoscope for automatic white balancing. More specifically, a proposed auto-white-balancing technique is designed to detect and recognize that the endoscope is pointed at a white balancing object, such as a white card or a white sponge. The proposed auto-white-balancing technique can then trigger the white balancing operation, including causing the light source to be turned on to allow an automatic white balance to be performed. In some embodiments, the proposed auto-white-balancing technique can also detect the end of the white balancing operation by recognizing that the endoscope is pointed away from the white balancing object. For example, the proposed auto-white-balancing technique can include a video analysis tool for detecting a scene change from the images of the white balancing object to a different object. The proposed auto-white-

balancing technique can then switch off the white balancing mode including causing the light source to be turned off again. Note that the light source can remain off until the endoscope being reinserted into the patient's body, wherein the proposed automatic light source control technique will have the light source turned on again to resume imaging. Hence, the proposed auto-white-balancing technique completely eliminates the need for manual intervention during white balancing, and therefore saves significant OR time and hassle.

[0008] In one aspect, a process for automatically turning on/off a light source of an endoscope camera during a surgical procedure is disclosed. This process can begin by receiving a first sequence of video images captured by the endoscope camera when the light source is turned on. The process next analyzes the first sequence of video images using a statistical classifier (e.g., a machine-learning-based classifier) to classify each video image in the first sequence of video images as a first class of image of being inside the patient's body or a second class of image of being outside of the patient's body. The process next determines whether the endoscope camera is inside a patient's body or outside of the patient's body based on the classified first sequence of video images. When the endoscope camera is determined to be outside of the patient's body, the process subsequently generates a first control signal for turning off the light source, wherein the first control signal is used to immediately turn off the light source.

[0009] In some embodiments, when the endoscope camera is determined to be inside the patient's body, the process continues monitoring a state of the endoscope camera.

[0010] In some embodiments, the process determines the state of the endoscope camera as being outside of the patient's body by identifying a first transitional event of transferring the endoscope camera from the inside of the patient's body to the outside of the patient's body based on the classified first sequence of video images.

[0011] In some embodiments, after the light source has been turned off, the process can further receive a second sequence of video images captured by the endoscope camera when the light source is off. The process subsequently processes the second sequence of video images to determine if the endoscope camera remains outside of the patient's body. If so, the process continues monitoring the state of the endoscope camera. Otherwise, the process generates a second control signal for turning on the light source.

[0012] In some embodiments, the process processes the second sequence of video images to determine if the endoscope camera remains outside of the patient's body by: using the statistical classifier to classify each video image in the second sequence of video images as the first class of image of being inside the patient's body or the second class of image of being

outside of the patient's body; and determining a state of the endoscope camera as being inside the patient's body or outside of the patient's body based on the classified second sequence of video images.

[0013] In some embodiments, the process determines the state of the endoscope camera as being inside of the patient's body by identifying a second transitional event of transferring the endoscope camera from outside of the patient's body to the inside of the patient's body based on the classified second sequence of video images.

[0014] In some embodiments, while the light source remains turned off and the endoscope camera is outside of the patient's body, the process further detects that the endoscope camera is pointed at a white balancing object, and subsequently generates a third control signal for turning on the light source for white balancing operation.

[0015] In some embodiments, the process detects that the endoscope camera is pointed at the white balancing object by: receiving a real-time video image captured by the endoscope camera when the light source is turned off; and processing the video image to identify a predefined white balancing object within the video image.

[0016] In some embodiments, the process trains the statistical classifier by: receiving a plurality of surgical videos, wherein each of the plurality of surgical videos contains video images of an endoscope being both inside and outside a patient's body; for each of the plurality of surgical videos, labeling the corresponding video images as the first class of image or the second class of image; and training the statistical classifier for distinguishing an input image as being the first class of image or the second class of image based on the labeled video images.

[0017] In some embodiments, the process trains the statistical classifier for distinguishing an input image based on a set of distinct image features, such as statistics of the color, texture, and contrast.

[0018] In another aspect, an endoscope system is disclosed. This endoscope system can include: an endoscope camera module; a light source module coupled to the endoscope camera module for providing a light source for the endoscope camera module; and a light-source control module coupled to the endoscope camera module and the light source module. More specifically, this light-source control module is configured to cause the light source in the light source module to be automatically turned on/off during a surgical procedure by: receiving a first sequence of video images captured by the endoscope camera module when the light source is turned on, and determining whether the endoscope camera module is inside a patient's body or outside of the patient's body based on using an image classifier to classify each video image in

the first sequence of video images as a first class of image of being inside the patient's body or a second class of image of being outside of the patient's body. If it is determined that the endoscope camera module is inside the patient's body, the light-source control module is configured to continue monitoring a state of the endoscope camera. However, if it is determined that the endoscope camera module is outside of the patient's body, the light-source control module is further configured to generate a first control signal for turning off the light source, wherein the control signal is used to immediately turn off the light source.

[0019] In some embodiments, the light-source control module is further configured to cause the light source in the light source module to be automatically turned on/off during a surgical procedure by: receiving a second sequence of video images captured by the endoscope camera module when the light source is turned off; and processing the second sequence of video images to determine if the endoscope camera module remains outside of the patient's body. If it is determined that the endoscope camera module remains outside of the patient's body, the light-source control module continues monitoring the state of the endoscope camera module. However, if it is determined that the endoscope camera module is no longer outside of the patient's body, the light-source control module generates a second control signal for turning on the light source.

BRIEF DESCRIPTION OF THE DRAWINGS

[0020] The structure and operation of the present disclosure will be understood from a review of the following detailed description and the accompanying drawings in which like reference numerals refer to like parts and in which:

[0021] FIG. 1 shows a block diagram of an exemplary endoscope system including an automatic light-source on/off control subsystem in accordance with some embodiments described herein.

[0022] FIG. 2 presents a flowchart illustrating an exemplary process for automatically turning on/off a light source of an endoscope camera module during a surgical procedure in accordance with some embodiments described herein.

[0023] FIG. 3 presents a flowchart illustrating an exemplary process for training the disclosed statistical classifier for classifying surgical video images as being either inside or outside of a patient's body in accordance with some embodiments described herein.

[0024] FIG. 4 presents a photographic image illustrating a conventional way of manually turning on/off a light source for an endoscope camera module.

[0025] FIG. 5 conceptually illustrates a computer system with which some embodiments of the subject technology can be implemented.

DETAILED DESCRIPTION

[0026] The detailed description set forth below is intended as a description of various configurations of the subject technology and is not intended to represent the only configurations in which the subject technology may be practiced. The appended drawings are incorporated herein and constitute a part of the detailed description. The detailed description includes specific details for the purpose of providing a thorough understanding of the subject technology. However, the subject technology is not limited to the specific details set forth herein and may be practiced without these specific details. In some instances, structures and components are shown in block diagram form in order to avoid obscuring the concepts of the subject technology.

[0027] This patent disclosure provides various embodiments of a machine-learning-based detection/control technique for enabling automatically turning on/off a light source of an endoscope when the endoscope is being inserted into/taken out of a patient's body or pointed at a white object for automatic white balancing. In some embodiments, to enable automatically turning on/off an LED light source or a laser light source, a statistical classifier for video scene analysis, and in particular for distinguishing between scenes from inside the patient's body and scenes from outside of the patient's body was first constructed. Next, the statistical classifier can be applied to real-time video images captured by the endoscope to determine a state for the endoscope, such as whether the endoscope is inside the patient's body or outside of the patient's body. In this manner, a change of state of the endoscope can be automatically detected.

[0028] More specifically, if the state of the endoscope has changed from being inside the patient's body to being outside of the patient's body, a control signal can be immediately generated to turn off the light source for the endoscope. On the other hand, if the state of the endoscope has changed from being outside of the patient's body to being inside of the patient's body, a control signal can be immediately generated to turn on the light source for the endoscope. Hence, the disclosed control technique eliminates the need for manual intervention in turning on/off the light source for the endoscope camera. Note that the disclosed technique essentially detects transitions of the endoscope between the two states, and therefore the detection of the state changes is instant with a minimal latency. In other words, the disclosed technique can instantly detect the first moment when the endoscope is outside of the patient's body and immediately cause the light source to be turned off.

[0029] Note that prior to commencing any surgery, automatic white balancing is a mandatory step to prepare the endoscope. Moreover, during a surgical procedure, after the endoscope has been outside of the patient's body temporarily for cleaning or for other reasons (described in more details below), the endoscope needs to be re-calibrated, i.e., to have another white balancing done before the endoscope can be reinserted into the patient's body. Assuming the

endoscope light source is turned off prior to performing the white balancing for the described safety reasons, the surgical staff would normally be required to manually turn on/off a white balancing mode, which includes manually turning on the light source to perform the white balancing operation and then manually turning off the light source when the white balancing is completed.

[0030] It is another objective of this patent disclosure to provide a technique for enabling automatically turning on/off the white balance mode of the endoscope for automatic white balancing. More specifically, a proposed auto-white-balancing technique is designed to detect and recognize that the endoscope is pointed at a white balancing object, such as a white card or a white sponge. The proposed auto-white-balancing technique can then trigger the white balancing operation, including causing the light source to be turned on to allow an automatic white balance to be performed. In some embodiments, the proposed auto-white-balancing technique can also detect the end of the white balancing operation by recognizing that the endoscope is pointed away from the white balancing object. For example, the proposed auto-white-balancing technique can include a video analysis tool for detecting a scene change from the images of the white balancing object to a different object. The proposed auto-white-balancing technique can then switch off the white balancing mode including causing the light source to be turned off again. Note that the light source can remain off until the endoscope being reinserted into the patient's body, wherein the proposed automatic light source control technique will have the light source turned on again to resume imaging. Hence, the proposed auto-white-balancing technique completely eliminates the need for manual intervention during white balancing, and therefore saves significant OR time and hassle.

[0031] During a laparoscopic or robotic surgery, the endoscope inside a patient's body may need to be taken out of the patient's body for various reasons, such as for lens cleaning, and then put back into the patient's body to continue its imaging function. A time period during the surgical procedure when the endoscope is taken out of the patient's body for one of a number of reasons and then put back into the patient's body may be referred to as an out-of-body (OOB) event. Note that each surgical procedure can include a number of OOB events which take place for a number of reasons. For example, an OOB event will occur if the endoscope lens has to be cleaned, e.g., when the endoscope lens is covered with blood. Another type of OOB event involves changing the endoscope lens from one scope size to another scope size for different anatomy/fields of view (FOV). Typically, during an OOB event the endoscope camera continues to record. The proposed techniques can use the video images captured during an OOB event to determine when to turn on/off the light source during the OOB event to ensure the safety of the surgical staff in the OR and when to turn on/off the light source for automatic white balancing.

[0032] FIG. 1 shows a block diagram of an exemplary endoscope system 100 including an automatic light-source on/off control subsystem 110 in accordance with some embodiments described herein. As can be seen in FIG. 1, endoscope system 100 includes an endoscope camera module 102, a light source unit 104, and a proposed automatic light-source on/off control subsystem 110 (or “light-source control subsystem 110” hereinafter). Light-source control subsystem 110 is coupled to an output of endoscope camera module 102 and configured to receive real-time surgical procedure videos and/or still images (collectively referred to as “surgical video images 120” hereinafter) during a live surgical procedure. Endoscope camera module 102 is typically the rod-like or tube-like structure that contains the physical imaging component such as a CCD camera, the optic lenses, and connections such as optic fiber for the light source. Light-source control subsystem 110 is also coupled to an input of light source module 104 and configured to generate and output automatic light source on/off control signals 130 (or “light-source control signals 130” hereinafter) during a live surgical procedure. As can be seen in FIG. 1, light source module 104 includes a physical light source 106 such as an LED light source or a laser light source, and a power control unit 108. Power control unit 108 can be configured to receive light-source control signals 130 from light-source control subsystem 110 and immediately turn on or turn off light source 106 based on light-source control signals 130.

[0033] Proposed light-source on/off control subsystem 110 can include one or more video-image processing modules including video-image processing modules 112 and 114. Specifically, video-image processing module 112 is configured to perform a surgical scene analysis to determine whether endoscope camera module 102 is inside the patient’s body or outside of the patient’s body. Video-image processing module 112 is also configured to detect two transitional events: (1) when endoscope camera module 102 is transferred from the inside of the patient’s body to the outside of the patient’s body, also referred to as “the first transitional event” hereinafter; and (2) when endoscope camera module 102 is transferred from the outside of the patient’s body to the inside of the patient’s body, also referred to as “the second transitional event” hereinafter. Video-image processing module 112 is configured to generate a “POWER-OFF” signal 130-1 for turning off light source 106 in light source module 104 when the first transitional event is detected, and a “POWER-ON” signal 130-2 for turning on light source 106 in light source module 104 when the second transitional event is detected. Light-source control subsystem 110 is configured to output control signals 130-1 and 130-2 generated by video-image processing module 112 to light source module 104. Upon receiving a control signal 130, power control unit 108 of light source module 104 is configured to immediately turn off light source 106 for endoscope camera module 102 if the POWER-OFF signal 130-1 is received or immediately turn on light source 106 for endoscope camera module 102 if the

POWER-ON signal 130-2 is received.

[0034] Proposed video-image processing module 114 is configured to perform a surgical scene analysis to detect the beginning and ending of a white balancing operation when endoscope camera module 102 is outside of the patient's body. Video-image processing module 114 is also configured to generate a "POWER-ON" signal 130-3 for turning on light source 106 in light source module 104 when the beginning of a white balancing operation is detected, or to generate a "POWER-OFF" signal 130-4 for turning off light source 106 in light source module 104 when the ending of a white balancing operation is detected. Light-source control subsystem 110 is configured to output the control signals 130-3 and 130-4 generated by video-image processing module 114 to light source module 104. Upon receiving a control signal 130, power control unit 108 of light source module 104 is configured to immediately turning on light source 106 for endoscope camera module 102 if the POWER-ON signal 130-3 is received or immediately turn off light source 106 for endoscope camera module 102 if the POWER-OFF signal 130-4 is received. Note that video-image processing module 114 does not need to be engaged when endoscope camera module 102 is inside the patient's body. In some embodiments, video-image processing module 114 becomes engaged after video-image processing module 112 detects the first transitional event, and becomes disengaged after video-image processing module 112 detects the second transitional event.

[0035] In some embodiments, video-processing module 112 can include a machine-learning-based or a computer-vision-based statistical classifier trained to distinguish between scenes from inside a patient's body and scenes from outside of the patient's body. Video-processing module 112 can apply this machine-learning or computer-vision-based statistical classifier to real-time surgical video images 120 captured by endoscope camera module 102 to classify a real-time scene depicted in surgical video images 120 as either (1) inside the patient's body or (2) outside of the patient's body. In some embodiments, the statistical classifier is configured to classify/label each received video image 120 as being either (1) inside the patient's body or (2) outside of the patient's body. Note that the first transitional event or the second transitional event is a continuous action represented by a consecutive sequence of video images. Hence, after a sequence of video images 120 has been classified/labeled, a transitional event can be detected if the sequence of video images 120 contains either the first transitional event or the second transitional event. While it is possible to detect the first and second transitional events based on just one or a few classified/labeled video frames, generating decisions based on a sequence of labeled video images 120 allows for identifying correlations among the sequence of video images to facilitate generating a more accurate decision on whether the first or second transitional event exists in the sequence of video images.

[0036] In some embodiments, if endoscope camera module 102 is initially inside the patient's body (and light source 106 is turned on) and the statistical classifier has classified one or more newly received surgical video images 120 as being outside of the patient's body, the first transitional event can be detected and video-processing module 112 immediately generates the "POWER-OFF" control signal 130-1. Alternatively, if endoscope camera module 102 is initially inside the patient's body (and light source 106 is turned on) and the statistical classifier has classified one or more newly received surgical video images 120 as being inside the patient's body, no transitional event has occurred and video-processing module 112 continues monitoring the state of endoscope camera module 102 without generating any control signals 130. Note that by detecting the first transitional event, video-processing module 112 can detect the moment endoscope camera module 102 is brought to the outside of the patient's body with a minimal latency to immediately cause the light source to be turned off.

[0037] Similarly, if endoscope camera module 102 is initially outside of the patient's body (and light source 106 is turned off) and the statistical classifier has classified one or more newly received surgical video images 120 as being inside the patient's body, the second transitional event can be detected and video-processing module 112 immediately generates the "POWER-ON" control signal 130-3. Alternatively, if endoscope camera module 102 is initially outside of the patient's body (and light source 106 is turned off) and the statistical classifier has classified one or more newly received surgical video images 120 as being outside of the patient's body, no transitional event has occurred and video-processing module 112 continues monitoring the state of endoscope camera module 102 without generating any control signals 130.

[0038] Note that another important application of the disclosed light-source control subsystem 110 is that, anytime endoscope camera module 102 is taken out of the patient's body, video-processing module 112 automatically causes light source 106 to be turned off. As a result, even if endoscope camera module 102 is then pointed at a whiteboard in the OR with sensitive information or another object in the OR associated with a privacy concern, the sensitive information can not be captured clearly or identified in the dark images captured by endoscope camera module 102 when light source 106 is off.

[0039] In some embodiments, prior to using the proposed statistical classifier to classify surgical video images 120, the statistical classifier was trained based on a large number of surgical videos containing the above-described first and second transitional events. More specifically, a large number of surgical videos containing the first and second transitional events are first gathered. The gathered surgical videos can include actual surgical procedure videos performed by surgeons. Furthermore, the gathered surgical videos can include artificially generated procedure videos that are created to include the first and second transitional events. In

some embodiments, each training video can contain sufficient video frames depicting the endoscope being both inside and outside the patient's body and the actions of transferring the endoscope from the inside/outside to the outside/inside of the patient's body (i.e., the first and second transitional events).

[0040] Next, for each of the training surgical videos, each of the video images is annotated/labeled as either a first class of image of inside a patient's body or a second class of image of outside of the patient's body. In some embodiments, prior to annotating the training surgical video, the training surgical video can be segmented by a phase segmentation engine into a set of video segments based on the first and second transitional events, and each video segment in the set of video segments can belong to one of the two phases, i.e., an inside phase when the endoscope is inside the patient's body or an outside phase when the endoscope is entirely outside of the patient's body. A person skilled in the art would appreciate that a surgical video including multiple OOB events can contain multiple video segments of the inside phase and multiple video segments of the outside phase. Next, for each video segment of the set of video segments of the inside phase, video images within the video segment can be labeled as the first class of image of inside the patient's body; and for each video segment of the video segments of the outside phase, video images within the video segment can be labeled as the second class of image of outside of the patient's body.

[0041] Once all the training videos have been properly labeled, the statistical classifier can be trained based on the labeled set of surgical videos so that the trained statistical classifier can be used to distinguish a given input video frame as the first class of image or the second class of image. Moreover, the statistical classifier can also be trained to distinguish a transitional event within a sequence of video images 120 as being the first transitional event or the second transitional event based on the ability to correctly label each image frame as being the first class of image or the second class of image. In some embodiments, the proposed statistical classifier can include a feature-based model which can be used to distinguish an input image as being the first class of image or the second class of image based on a set of user-specified image features, such as the statistics of the color, the texture, the contrast, among other features. In other embodiments, the proposed statistical classifier can include a deep learning model that does not require the user to manually identify the features.

[0042] In various embodiments, the proposed statistical classifier can include a machine-learning model constructed based on a regression model, a deep neural network-based model, a support vector machine, a decision tree, a Naive Bayes classifier, a Bayesian network, or a k-nearest neighbors (KNN) model. In some embodiments, each of these machine-learning models is constructed based on a convolutional neural network (CNN) architecture, a recurrent neural

network (RNN) architecture, or another form of deep neural network (DNN) architecture.

[0043] As mentioned above, video-image processing module 114 is configured to generate a “POWER-ON” control signal 130-3 for light source module 104 when the beginning of a white balancing operation is detected, or to generate a “POWER-OFF” control signal 130-4 for light source module 104 when the ending of a white balancing operation is detected. In some embodiments, video-processing module 114 can include a machine-learning-based or a computer-vision-based statistical classifier trained to detect a white balancing object. Some applicable white balancing objects can include a white balancing card, a white sponge, a whiteboard, a piece of white paper, a piece of white cloth, and any other suitable white medium. In some embodiments, the statistical classifier is configured to classify/label each received video image 120 as being either (1) a white balancing object or (2) a non-white balancing object.

[0044] In some embodiments, if endoscope camera module 102 is outside of the patient’s body during an OOB event with light source 106 turned off, and the statistical classifier has classified one or more newly received surgical video images 120 as a white balancing object, video-processing module 114 immediately generates the “POWER-ON” control signal 130-3 to trigger the white balancing operation. Alternatively, if endoscope camera module 102 is initially pointed at a white balancing object with light source 106 turned on for white balancing, and the statistical classifier has classified one or more newly received surgical video images 120 as being a non-white balancing object, video-processing module 114 immediately generates the “POWER-OFF” control signal 130-4 to terminate the white balancing operation. In some embodiments, prior to using the proposed statistical classifier to classify surgical video images 120 as being either a white balancing object or a non-white balancing object, the statistical classifier can be trained on a different data set to identify different types of white balancing objects and non-white-balancing objects.

[0045] In some embodiments, the disclosed automatic light-source control subsystem 110 can be implemented in computer software, in electronic hardware, or in combinations of both, and as a separate module from light source module 104 (as shown in FIG. 1). In some other embodiments, the disclosed automatic light-source control subsystem 110 can be implemented in computer software, in electronic hardware, or in combinations of both, and as a component of light source module 104 (not shown in FIG. 1).

[0046] FIG. 2 presents a flowchart illustrating an exemplary process 200 for automatically turning on/off a light source of an endoscope camera module during a surgical procedure in accordance with some embodiments described herein. In one or more embodiments, one or more of the steps in FIG. 2 may be omitted, repeated, and/or performed in a different order. Accordingly, the specific arrangement of steps shown in FIG. 2 should not be construed as

limiting the scope of the technique.

[0047] Process 200 may begin by receiving a sequence of real-time video images captured by the endoscope camera module when the light source is turned on (step 202). In particular, the endoscope camera module is initially inside the patient's body. Next, process 200 analyzes a sequence of newly received video images to determine whether the endoscope camera module is inside the patient's body or outside of the patient's body (step 204). In some embodiments, process 200 uses a statistical classifier to classify each image in the sequence of newly received video images as either a first class of image of being inside the patient's body or a second class of image of being outside of the patient's body. Process 200 can determine a state of the endoscope camera module as being inside the patient's body or outside of the patient's body based on the classified sequence of images. More specifically, process 200 can determine the state of the endoscope camera module as being outside of the patient's body by detecting the first transitional event within the sequence of newly received video images.

[0048] If process 200 determines that the endoscope camera module is still inside the patient's body at step 204, process 200 returns to step 202 and continues monitoring the state of the endoscope camera module. Otherwise, if process 200 determines that the endoscope camera module is outside of the patient's body (i.e., the first transitional event is detected), process 200 generates a control signal for turning off the light source for safety and other reasons (step 206). The control signal is used by a light source module to immediately turn off the light source to prevent accidental eye damages.

[0049] Next, when the endoscope camera module is outside of the patient's body with the light source turned off, process 200 analyzes a real-time video image to determine whether the endoscope camera module is pointed at a white balancing object (step 208). For example, process 200 can analyze the video image to identify a predefined white balancing object within the video image. If not, process 200 can return to step 208 and continue to look for the cue indicating the beginning of the white balancing operation. However, if a white balancing object is detected at step 208, process 200 generates another control signal for turning on the light source for white balancing (step 210).

[0050] Next, when the endoscope camera module is outside of the patient's body with the light source turned on, process 200 continues to analyze real-time video images to determine whether the white balancing operation is completed (step 212). If not, process 200 can return to step 212 and continue to look for the cue indicating the ending of the white balancing operation. Otherwise, the white balancing operation is completed and process 200 generates yet another control signal for turning off the light source (step 214). Process 200 subsequently analyzes another sequence of newly received video images to determine if the endoscope camera module

remains outside of the patient's body (step 216). Similarly, process 200 can use the statistical classifier to classify each image in the sequence of newly received video images as either the first class of image of being inside the patient's body or the second class of image of being outside of the patient's body. More specifically, process 200 can determine the state of the endoscope camera module as being inside the patient's body by detecting the second transitional event within the sequence of newly received video images.

[0051] If process 200 determines that the endoscope camera module remains outside of the patient's body at step 216, process 200 returns to step 216 to continue monitoring the state of the endoscope camera module. Otherwise, if process 200 determines that the endoscope camera module is inside the patient's body at step 216 (i.e., the second transitional event is detected), process 200 generates yet another control signal for turning on the light source (step 218). The control signal is used by the light source module to immediately turn on the light source to resume endoscopic imaging.

[0052] FIG. 3 presents a flowchart illustrating an exemplary process 300 for training the disclosed statistical classifier for classifying surgical video images as being either inside or outside of a patient's body in accordance with some embodiments described herein. In one or more embodiments, one or more of the steps in FIG. 3 may be omitted, repeated, and/or performed in a different order. Accordingly, the specific arrangement of steps shown in FIG. 3 should not be construed as limiting the scope of the technique.

[0053] Process 300 begins by collecting a large number of training surgical videos, wherein each training surgical video contains one or more OOB events (step 302). As described above, each of the OOB events typically includes the first transitional event (i.e., taking the endoscope out of the patient's body) and the second transitional event (i.e., putting the endoscope back into the patient's body). Note that the collected training surgical videos can include both actual surgical procedure videos performed by surgeons and artificially generated procedure videos created specifically to provide training data for training the statistical classifier.

[0054] Process 300 next segments each of the training surgical videos into a set of video segments based on the associated one or more OOB events, wherein each video segment in the set of video segments belongs to either the inside phase when the endoscope is inside the patient's body or the outside phase when the endoscope is outside of the patient's body (step 304). Note that the set of transitional events within a surgical video provides the natural phase boundaries for segmenting the surgical video into the inside phases and the outside phases. Also note that a surgical video containing multiple OOB events can be segmented into a set of corresponding video segments that is composed of multiple inside phases and multiple outside phases.

[0055] Next, for each video segment of the inside phase from a segmented training surgical video, process 300 labels video images within the video segment as the first class of image of inside the patient's body; and for each video segment of the outside phase of the segmented surgical video, process 300 labels video images within the video segment as the second class of image of outside of the patient's body (step 306). After all the training surgical videos have been properly labeled, process 200 proceeds to train the statistical classifier based on the labeled set of training surgical videos so that the trained statistical classifier can be used to distinguish a given input video frame as the first class of image or the second class of image (step 308).

[0056] FIG. 4 presents a photographic image illustrating a conventional way of manually turning on/off a light source for an endoscope camera module 400. As can be seen in FIG. 4, endoscope camera module 400 includes light source on/off button 402 located at the proximal end of endoscope camera module 400. After a surgeon takes endoscope camera module 400 out of a patient's body, the surgeon has to hold endoscope camera module 400 on one end and manually manipulate light source on/off button 402 on the other end of endoscope camera module 400. The disclosed automatic light-source control techniques eliminate the needs for manually turning on/off the endoscope light sources during a number of significant events within a surgical procedure, thereby significantly reducing or eliminating the chances of any of the surgical staff being harmed by the powerful endoscope light source, and saving significant OR time and hassle.

[0057] FIG. 5 conceptually illustrates a computer system with which some embodiments of the subject technology can be implemented. Computer system 500 can be a client, a server, a computer, a smartphone, a PDA, a laptop, or a tablet computer with one or more processors embedded therein or coupled thereto, or any other sort of computing device. Such a computer system includes various types of computer-readable media and interfaces for various other types of computer-readable media. Computer system 500 includes a bus 502, processing unit(s) 512, a system memory 504, a read-only memory (ROM) 510, a permanent storage device 508, an input device interface 514, an output device interface 506, and a network interface 516. In some embodiments, computer system 500 is a part of a robotic surgical system.

[0058] Bus 502 collectively represents all system, peripheral, and chipset buses that communicatively connect the numerous internal devices of computer system 500. For instance, bus 502 communicatively connects processing unit(s) 512 with ROM 510, system memory 504, and permanent storage device 508.

[0059] From these various memory units, processing unit(s) 512 retrieves instructions to execute and data to process in order to execute various processes described in this patent disclosure, including the above-described processes of automatically turning on/off a light source

of an endoscope camera module during a surgical procedure and training the disclosed statistical classifier for classifying surgical video images as being either inside or outside of a patient's body in conjunction with FIGs. 1-3. The processing unit(s) 512 can include any type of processor, including, but not limited to, a microprocessor, a graphics processing unit (GPU), a tensor processing unit (TPU), an intelligent processor unit (IPU), a digital signal processor (DSP), a field-programmable gate array (FPGA), and an application-specific integrated circuit (ASIC). Processing unit(s) 512 can be a single processor or a multi-core processor in different implementations.

[0060] ROM 510 stores static data and instructions that are needed by processing unit(s) 512 and other modules of the computer system. Permanent storage device 508, on the other hand, is a read-and-write memory device. This device is a non-volatile memory unit that stores instructions and data even when computer system 500 is off. Some implementations of the subject disclosure use a mass-storage device (such as a magnetic or optical disk and its corresponding disk drive) as permanent storage device 508.

[0061] Other implementations use a removable storage device (such as a floppy disk, flash drive, and its corresponding disk drive) as permanent storage device 508. Like permanent storage device 508, system memory 504 is a read-and-write memory device. However, unlike storage device 508, system memory 504 is a volatile read-and-write memory, such as a random access memory. System memory 504 stores some of the instructions and data that the processor needs at runtime. In some implementations, various processes described in this patent disclosure, including the above-described processes of automatically turning on/off a light source of an endoscope camera module during a surgical procedure and training the disclosed statistical classifier for classifying surgical video images as being either inside or outside of a patient's body in conjunction with FIGs. 1-3, are stored in system memory 504, permanent storage device 508, and/or ROM 510. From these various memory units, processing unit(s) 512 retrieve instructions to execute and data to process in order to execute the processes of some implementations.

[0062] Bus 502 also connects to input and output devices 514 and 506. Input devices 514 enable the user to communicate information to and select commands for the computer system. Input devices 514 can include, for example, alphanumeric keyboards and pointing devices (also called "cursor control devices"). Output devices 506 enable, for example, the display of images generated by computer system 500. Output devices 506 can include, for example, printers and display devices, such as cathode ray tubes (CRT) or liquid crystal displays (LCD). Some implementations include devices such as a touchscreen that functions as both input and output devices.

[0063] Finally, as shown in FIG. 5, bus 502 also couples computer system 500 to a network (not shown) through a network interface 516. In this manner, the computer can be a part of a network of computers (such as a local area network (“LAN”), a wide area network (“WAN”), an intranet, or a network of networks, such as the Internet. Any or all components of computer system 500 can be used in conjunction with the subject disclosure.

[0064] The various illustrative logical blocks, modules, circuits, and algorithm steps described in connection with the embodiments disclosed in this patent disclosure may be implemented as electronic hardware, computer software, or combinations of both. To clearly illustrate this interchangeability of hardware and software, various illustrative components, blocks, modules, circuits, and steps have been described above generally in terms of their functionality. Whether such functionality is implemented as hardware or software depends upon the particular application and design constraints imposed on the overall system. Skilled artisans may implement the described functionality in varying ways for each particular application, but such implementation decisions should not be interpreted as causing a departure from the scope of the present disclosure.

[0065] The hardware used to implement the various illustrative logics, logical blocks, modules, and circuits described in connection with the aspects disclosed herein may be implemented or performed with a general-purpose processor, a digital signal processor (DSP), an application-specific integrated circuit (ASIC), a field-programmable gate array (FPGA) or other programmable-logic device, discrete gate or transistor logic, discrete hardware components, or any combination thereof designed to perform the functions described herein. A general-purpose processor may be a microprocessor, but in the alternative, the processor may be any conventional processor, controller, microcontroller, or state machine. A processor may also be implemented as a combination of receiver devices, e.g., a combination of a DSP and a microprocessor, a plurality of microprocessors, one or more microprocessors in conjunction with a DSP core, or any other such configuration. Alternatively, some steps or methods may be performed by circuitry that is specific to a given function.

[0066] In one or more exemplary aspects, the functions described may be implemented in hardware, software, firmware, or any combination thereof. If implemented in software, the functions may be stored as one or more instructions or code on a non-transitory computer-readable storage medium or non-transitory processor-readable storage medium. The steps of a method or algorithm disclosed herein may be embodied in processor-executable instructions that may reside on a non-transitory computer-readable or processor-readable storage medium. Non-transitory computer-readable or processor-readable storage media may be any storage media that may be accessed by a computer or a processor. By way of example but not limitation, such non-

transitory computer-readable or processor-readable storage media may include RAM, ROM, EEPROM, flash memory, CD-ROM or other optical disk storage, magnetic disk storage or other magnetic storage devices, or any other medium that may be used to store desired program code in the form of instructions or data structures and that may be accessed by a computer. Disk and disc, as used herein, include compact disc (CD), laser disc, optical disc, digital versatile disc (DVD), floppy disk, and Blu-ray disc, where disks usually reproduce data magnetically, while discs reproduce data optically with lasers. Combinations of the above are also included within the scope of non-transitory computer-readable and processor-readable media. Additionally, the operations of a method or algorithm may reside as one or any combination or set of codes and/or instructions on a non-transitory processor-readable storage medium and/or computer-readable storage medium, which may be incorporated into a computer-program product.

[0067] While this patent document contains many specifics, these should not be construed as limitations on the scope of any disclosed technology or of what may be claimed, but rather as descriptions of features that may be specific to particular embodiments of particular techniques. Certain features that are described in this patent document in the context of separate embodiments can also be implemented in combination in a single embodiment. Conversely, various features that are described in the context of a single embodiment can also be implemented in multiple embodiments separately or in any suitable subcombination. Moreover, although features may be described above as acting in certain combinations and even initially claimed as such, one or more features from a claimed combination can in some cases be excised from the combination, and the claimed combination may be directed to a subcombination or variation of a subcombination.

[0068] Similarly, while operations are depicted in the drawings in a particular order, this should not be understood as requiring that such operations be performed in the particular order shown or in sequential order, or that all illustrated operations be performed, to achieve desirable results. Moreover, the separation of various system components in the embodiments described in this patent document should not be understood as requiring such separation in all embodiments.

[0069] Only a few implementations and examples are described, and other implementations, enhancements and variations can be made based on what is described and illustrated in this patent document.

CLAIMS

What is claimed is:

1. A computer-implemented method for automatically turning on/off a light source of an endoscope camera during a surgical procedure, the method comprising:
 - receiving a first sequence of video images captured by the endoscope camera when the light source is turned on;
 - analyzing, by a computer, the first sequence of video images using a statistical classifier to classify each video image in the first sequence of video images as a first class of image of being inside the patient's body or a second class of image of being outside of the patient's body;
 - determining, by the computer, whether the endoscope camera is inside a patient's body or outside of the patient's body based on the classified first sequence of video images; and
 - when the endoscope camera is determined to be outside of the patient's body, generating a first control signal for turning off the light source, wherein the first control signal is used to immediately turn off the light source.
2. The computer-implemented method of claim 1, further comprising:
 - when the endoscope camera is determined to be inside the patient's body, continuing monitoring a state of the endoscope camera.
3. The computer-implemented method of claim 1, wherein determining the state of the endoscope camera as being outside of the patient's body includes identifying a first transitional event of transferring the endoscope camera from the inside of the patient's body to the outside of the patient's body based on the classified first sequence of video images.
4. The computer-implemented method of claim 1, wherein after the light source has been turned off, the method further comprises:
 - receiving a second sequence of video images captured by the endoscope camera when the light source is off;
 - processing the second sequence of video images to determine if the endoscope camera remains outside of the patient's body; and
 - if so, continuing monitoring the state of the endoscope camera,
 - otherwise, generating a second control signal for turning on the light source.

5. The computer-implemented method of claim 4, wherein processing the second sequence of video images to determine if the endoscope camera remains outside of the patient's body includes:

using the statistical classifier to classify each video image in the second sequence of video images as the first class of image of being inside the patient's body or the second class of image of being outside of the patient's body; and

determining a state of the endoscope camera as being inside the patient's body or outside of the patient's body based on the classified second sequence of video images.

6. The computer-implemented method of claim 5, wherein determining the state of the endoscope camera as being inside of the patient's body includes identifying a second transitional event of transferring the endoscope camera from outside of the patient's body to the inside of the patient's body based on the classified second sequence of video images.

7. The computer-implemented method of claim 1, wherein while the light source remains turned off and the endoscope camera is outside of the patient's body, the method further comprises:

detecting that the endoscope camera is pointed at a white balancing object; and

generating a third control signal for turning on the light source for white balancing operation.

8. The computer-implemented method of claim 7, wherein detecting that the endoscope camera is pointed at the white balancing object includes:

receiving a real-time video image captured by the endoscope camera when the light source is turned off; and

processing the video image to identify a predefined white balancing object within the video image.

9. The computer-implemented method of claim 1, wherein the method further comprises training the statistical classifier by:

receiving a plurality of surgical videos, wherein each of the plurality of surgical videos contains video images of an endoscope being both inside and outside a patient's body;

for each of the plurality of surgical videos, labeling the corresponding video images as the first class of image or the second class of image; and

training the statistical classifier for distinguishing an input image as being the first class of image or the second class of image based on the labeled video images.

10. The computer-implemented method of claim 9, wherein training the statistical classifier for distinguishing an input image includes training the statistical classifier based on a set of distinct image features, such as statistics of the color; texture; and contrast.

11. An apparatus for automatically turning on/off a light source of an endoscope camera during a surgical procedure, the apparatus comprising:

one or more processors; and

a memory coupled to the one or more processors; and

wherein the memory stores a set of instructions that, when executed by the one or more processors, cause the apparatus to:

receive a first sequence of video images captured by the endoscope camera when the light source is turned on;

analyze the first sequence of video images to determine whether the endoscope camera is inside a patient's body or outside of the patient's body; and

if it is determined that the endoscope camera is inside the patient's body, continue monitoring a state of the endoscope camera, or

if it is determined that the endoscope camera is outside of the patient's body, generate a first control signal for turning off the light source, wherein the first control signal is used to immediately turn off the light source.

12. The apparatus of claim 11, further comprising:

using a machine-learning classifier to classify each video image in the first sequence of video images as a first class of image of being inside the patient's body or a second class of image of being outside of the patient's body; and

determining a state of the endoscope camera as being inside the patient's body or outside of the patient's body based on the classified first sequence of video images.

13. The apparatus of claim 12, wherein determining the state of the endoscope camera as being outside of the patient's body further includes identifying a first transitional event of transferring the endoscope camera from the inside of the patient's body to the outside of the patient's body.

14. The apparatus of claim 12, wherein the memory further stores a set of instructions that, when executed by the one or more processors, cause the apparatus to:

receive a second sequence of video images captured by the endoscope camera when the light source is off;

process the second sequence of video images to determine if the endoscope camera remains outside of the patient's body; and

if so, continue monitoring the state of the endoscope camera,

otherwise, generate a second control signal for turning on the light source.

15. The apparatus of claim 14, wherein processing the second sequence of video images to determine if the endoscope camera remains outside of the patient's body further includes:

using the machine-learning classifier to classify each video image in the second sequence of video images as the first class of image of being inside the patient's body or the second class of image of being outside of the patient's body; and

determining a state of the endoscope camera as being inside the patient's body or outside of the patient's body based on the classified second sequence of video images.

16. The apparatus of claim 15, wherein determining the state of the endoscope camera as being inside of the patient's body includes identifying a second transitional event of transferring the endoscope camera from outside of the patient's body to the inside of the patient's body.

17. The apparatus of claim 11, wherein while the light source remains turned off and the endoscope camera is outside of the patient's body, the memory further stores a set of instructions that, when executed by the one or more processors, cause the apparatus to:

detect that the endoscope camera is pointed at a white balancing object; and

generate a third control signal for turning on the light source for white balancing operation.

18. The apparatus of claim 17, wherein detecting that the endoscope camera is pointed at the white balancing object includes:

receiving a real-time video image captured by the endoscope camera when the light source is turned off; and

processing the video image to identify a predefined white balancing object within the video image.

19. An endoscope system, comprising:
an endoscope camera module;
a light source module coupled to the endoscope camera module for providing a light source for the endoscope camera module; and
a light-source control module coupled to the endoscope camera module and the light source module, and configured to cause the light source in the light source module to be automatically turned on/off during a surgical procedure by:
receiving a first sequence of video images captured by the endoscope camera module when the light source is turned on;
determining, by the light-source control module, whether the endoscope camera module is inside a patient's body or outside of the patient's body based on using an image classifier to classify each video image in the first sequence of video images as a first class of image of being inside the patient's body or a second class of image of being outside of the patient's body; and
if it is determined that the endoscope camera module is inside the patient's body, continuing monitoring a state of the endoscope camera, or
if it is determined that the endoscope camera module is outside of the patient's body, generating a first control signal for turning off the light source, wherein the control signal is used to immediately turn off the light source.
20. The endoscope system of claim 19, wherein the light-source control module is further configured to cause the light source in the light source module to be automatically turned on/off during a surgical procedure by:
receiving a second sequence of video images captured by the endoscope camera module when the light source is turned off;
processing the second sequence of video images to determine if the endoscope camera module remains outside of the patient's body; and
if so, continuing monitoring the state of the endoscope camera module,
otherwise, generating a second control signal for turning on the light source.

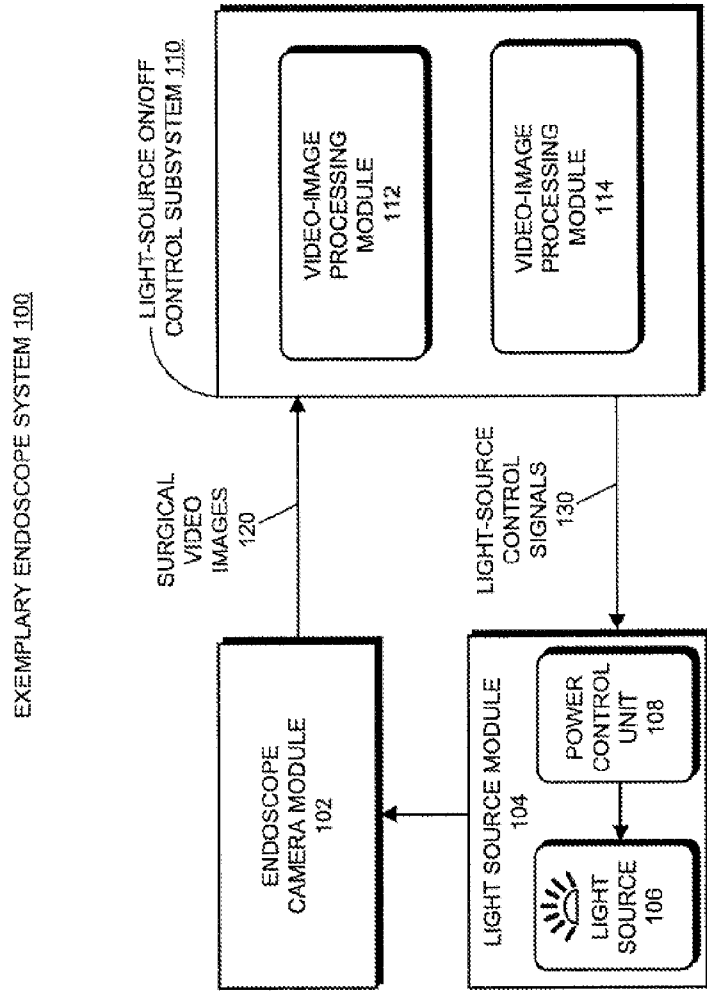


FIG. 1

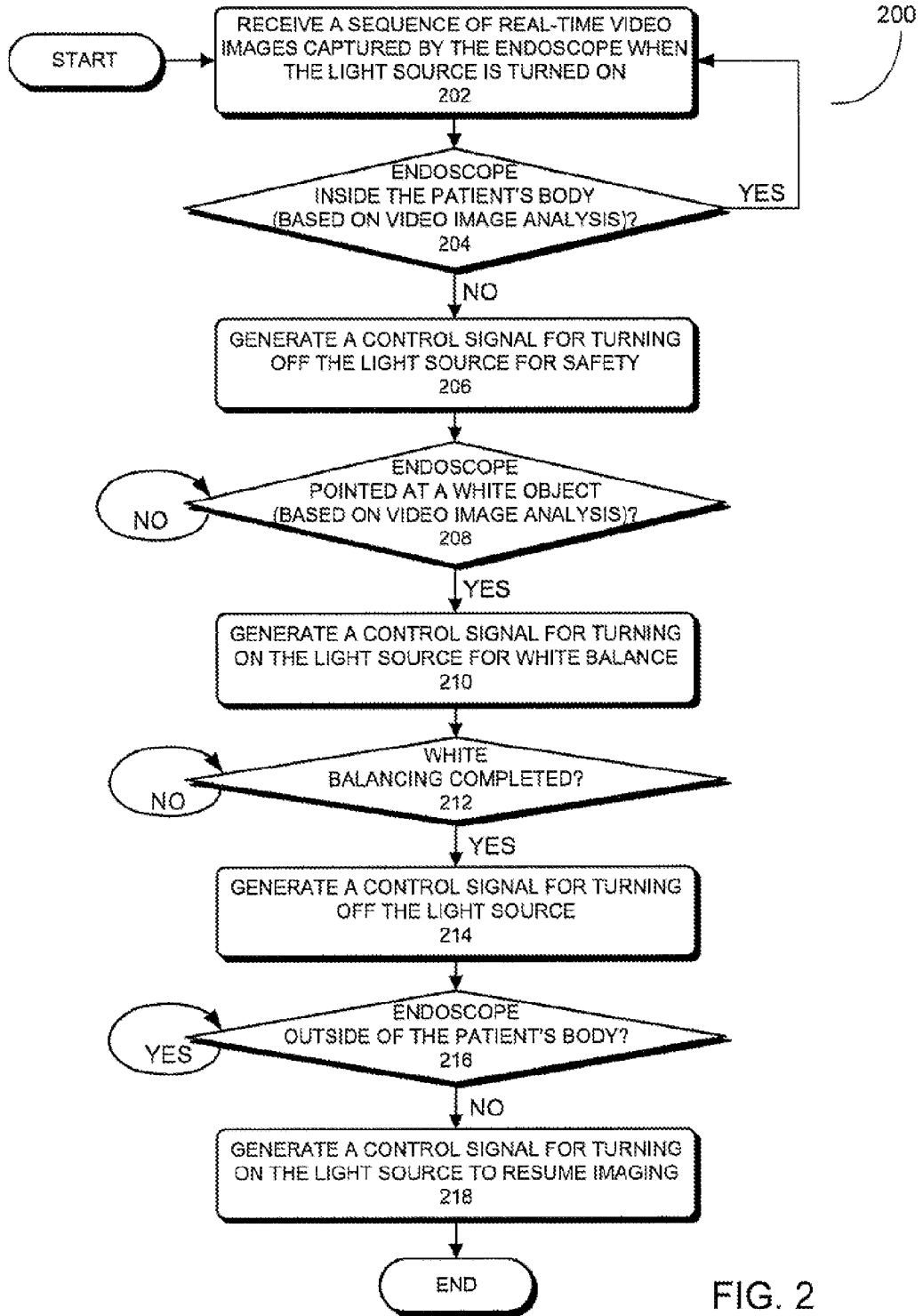


FIG. 2

3/5

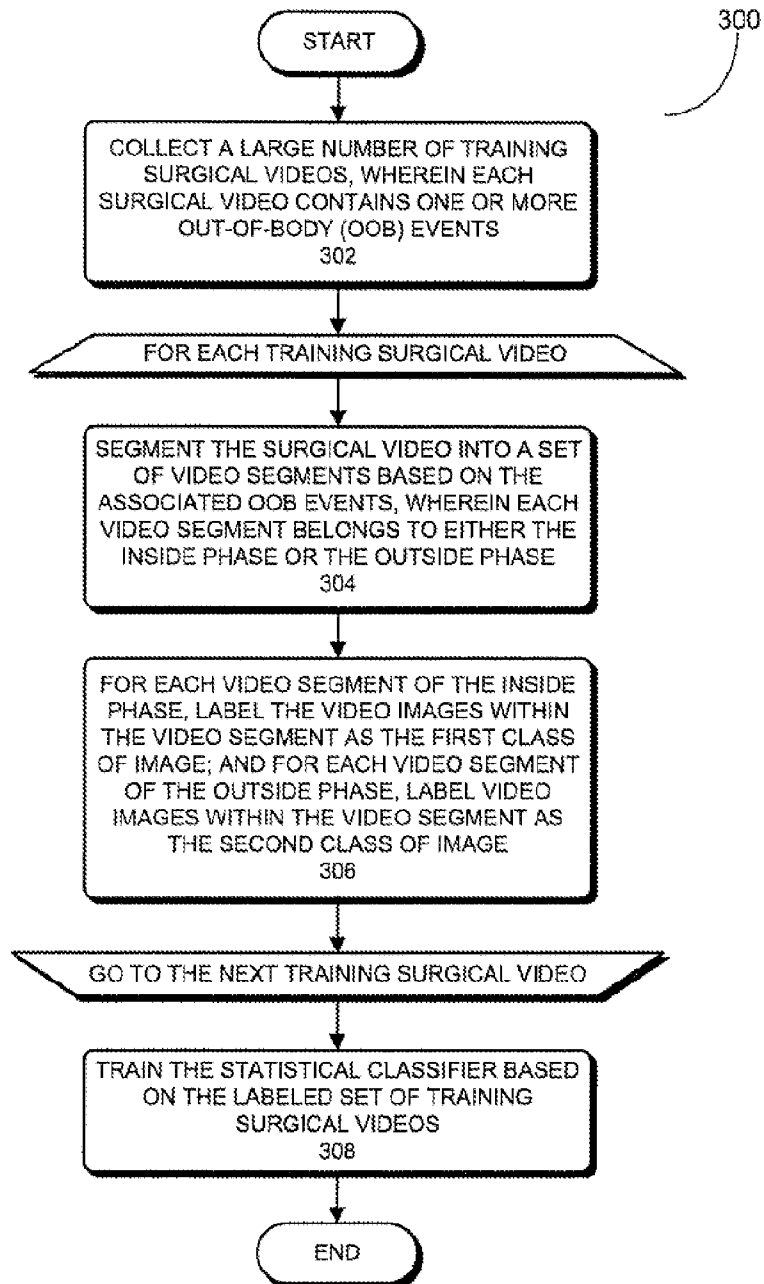


FIG. 3

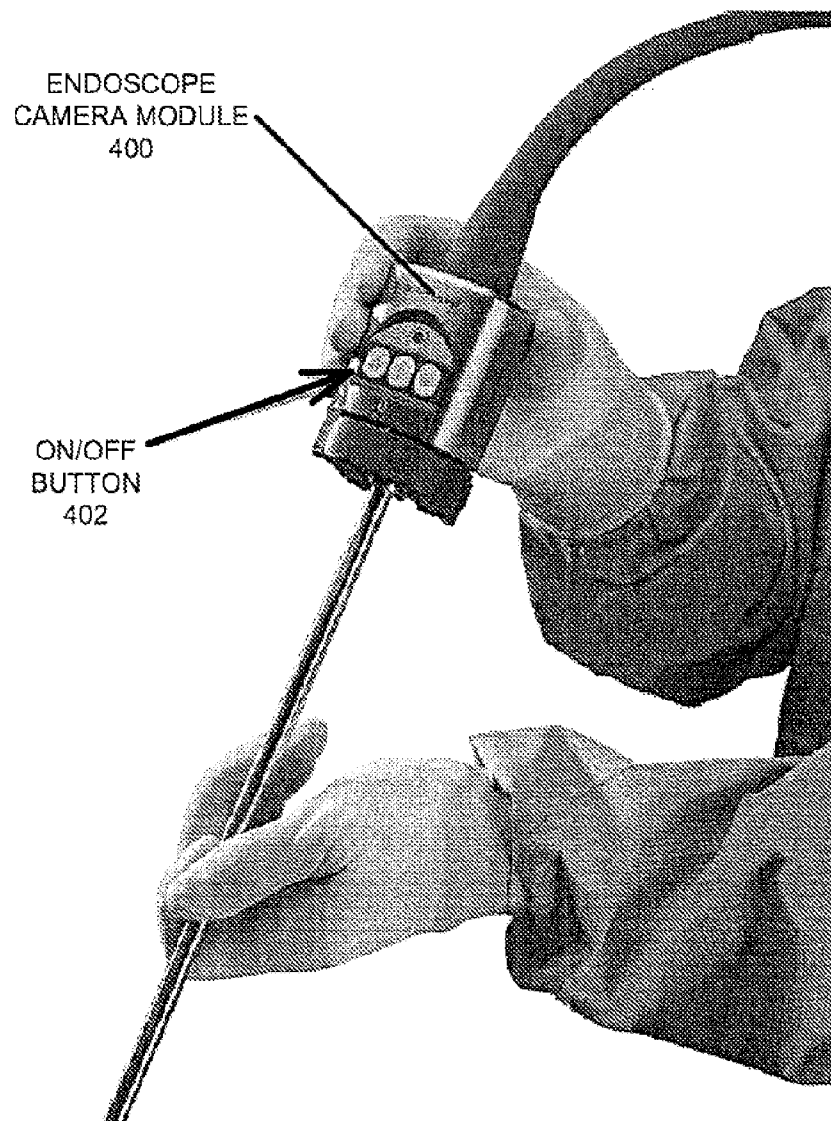


FIG. 4

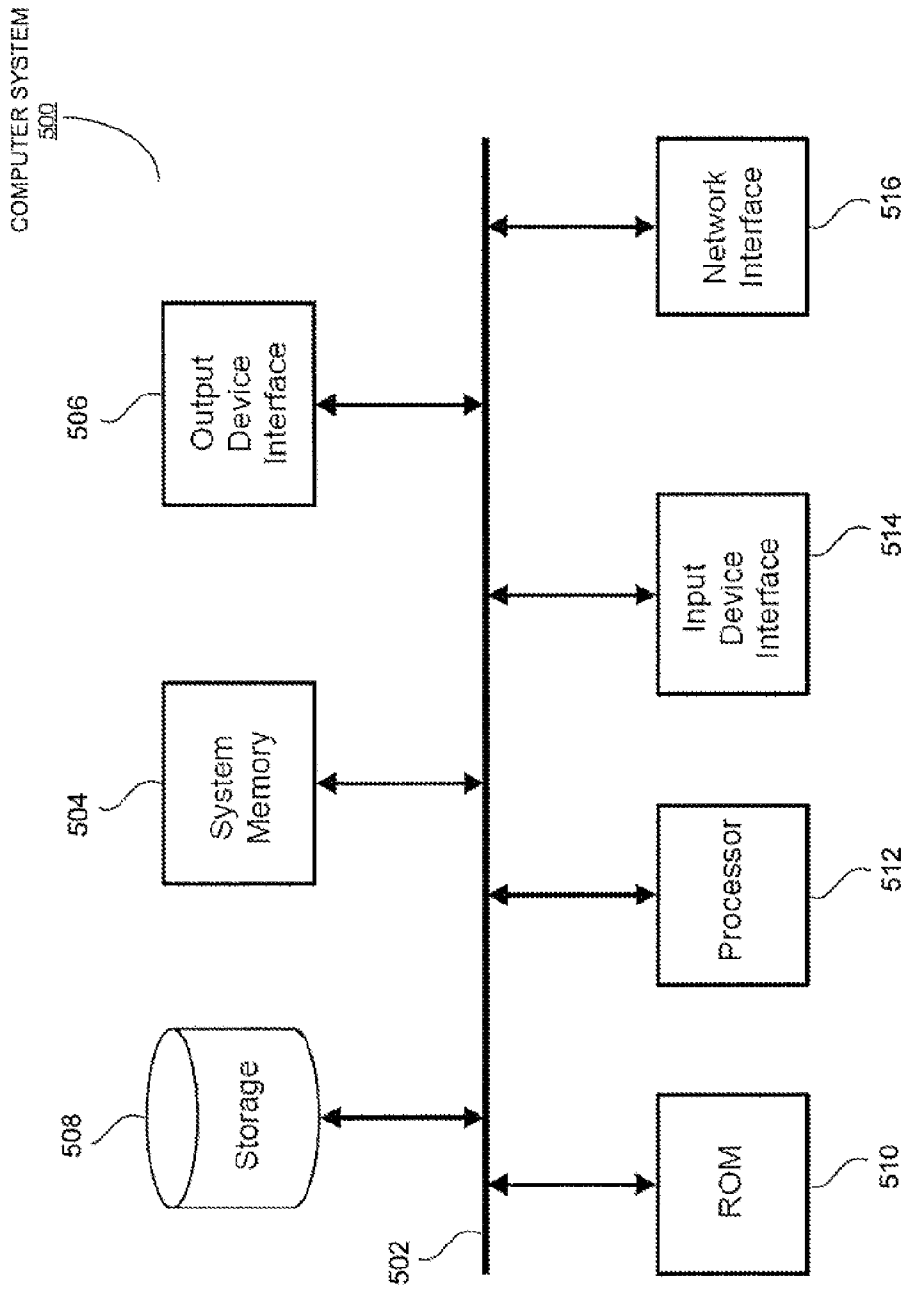


FIG. 5

INTERNATIONAL SEARCH REPORT

International application No.
PCT/US2019/038606**A. CLASSIFICATION OF SUBJECT MATTER****A61B 1/06(2006.01)i, A61B 1/313(2006.01)i, A61B 1/00(2006.01)i, A61B 1/045(2006.01)i, A61B 90/00(2016.01)i**

According to International Patent Classification (IPC) or to both national classification and IPC

B. FIELDS SEARCHED

Minimum documentation searched (classification system followed by classification symbols)

A61B 1/06; A61B 001/06; A61B 1/00; A61B 1/04; G02B 23/26; A61B 1/313; A61B 1/045; A61B 90/00

Documentation searched other than minimum documentation to the extent that such documents are included in the fields searched

Korean utility models and applications for utility models

Japanese utility models and applications for utility models

Electronic data base consulted during the international search (name of data base and, where practicable, search terms used)

eKOMPASS(KIPO internal) & Keywords: endoscope, camera, image, inside, outside, detect, light, turn on, turn off

C. DOCUMENTS CONSIDERED TO BE RELEVANT

Category*	Citation of document, with indication, where appropriate, of the relevant passages	Relevant to claim No.
X	US 2002-0013512 A1 (SENDAI et al.) 31 January 2002 paragraphs [0102]-[0107]; claim 1; figure 1	1-20
A	JP 2002-034911 A (OLYMPUS OPTICAL CO., LTD.) 05 February 2002 whole document	1-20
A	JP 2010-082041 A (FUJIFILM CORP.) 15 April 2010 whole document	1-20
A	JP 08-076029 A (ASAHI OPTICAL CO., LTD.) 22 March 1996 whole document	1-20
A	KR 10-2018-0138037 A (KOREA INSTITUTE OF SCIENCE AND TECHNOLOGY) 28 December 2018 whole document	1-20

 Further documents are listed in the continuation of Box C. See patent family annex.

* Special categories of cited documents:

"A" document defining the general state of the art which is not considered to be of particular relevance

"D" document cited by the applicant in the international application

"E" earlier application or patent but published on or after the international filing date

"L" document which may throw doubts on priority claim(s) or which is cited to establish the publication date of another citation or other special reason (as specified)

"O" document referring to an oral disclosure, use, exhibition or other means

"P" document published prior to the international filing date but later than the priority date claimed

"T" later document published after the international filing date or priority date and not in conflict with the application but cited to understand the principle or theory underlying the invention

"X" document of particular relevance; the claimed invention cannot be considered novel or cannot be considered to involve an inventive step when the document is taken alone

"Y" document of particular relevance; the claimed invention cannot be considered to involve an inventive step when the document is combined with one or more other such documents, such combination being obvious to a person skilled in the art

"&" document member of the same patent family

Date of the actual completion of the international search

09 March 2020 (09.03.2020)

Date of mailing of the international search report

09 March 2020 (09.03.2020)

Name and mailing address of the ISA/KR

International Application Division

Korean Intellectual Property Office

189 Cheongsa-ro, Seo-gu, Daejeon, 35208, Republic of Korea

Facsimile No. +82-42-481-8578

Authorized officer

Kim, Yeonkyung

Telephone No. +82-42-481-3325



INTERNATIONAL SEARCH REPORT

Information on patent family members

International application No.

PCT/US2019/038606

Patent document cited in search report	Publication date	Patent family member(s)	Publication date
US 2002-0013512 A1	31/01/2002	JP 2001-327458 A JP 2002-028125 A JP 4316118 B2 US 6468204 B2	27/11/2001 29/01/2002 19/08/2009 22/10/2002
JP 2002-034911 A	05/02/2002	None	
JP 2010-082041 A	15/04/2010	None	
JP 08-076029 A	22/03/1996	JP 3548238 B2	28/07/2004
KR 10-2018-0138037 A	28/12/2018	KR 10-2006859 B1	01/10/2019