

(19) World Intellectual Property Organization
International Bureau



(43) International Publication Date
5 February 2009 (05.02.2009)

PCT

(10) International Publication Number
WO 2009/018380 A3

(51) International Patent Classification:

A47J 31/00 (2006.01) B29C 49/64 (2006.01)
B65D 85/804 (2006.01) A23F 5/24 (2006.01)
C08G 63/91 (2006.01) A23F 5/26 (2006.01)
C08J 3/24 (2006.01)

(21) International Application Number:

PCT/US2008/071649

(22) International Filing Date:

30 July 2008 (30.07.2008)

(25) Filing Language:

English

(26) Publication Language:

English

(30) Priority Data:

60/952,925 31 July 2007 (31.07.2007) US

(71) Applicant (for all designated States except US): **THE COCA-COLA COMPANY** [US/US]; One Coca-cola Plaza, NW, Atlanta, GA 30313 (US).

(72) Inventors; and

(75) Inventors/Applicants (for US only): **ZHANG, Qiuchen, Peter** [US/US]; 505 Cherington Way, Alpharetta, GA 30004 (US). **OKOROAFOR, Michael, O.** [US/US]; 6195 Mountainwell Drive, Roswell, GA 30075 (US). **HUANG, Xiaoyan** [US/US]; 4803 Lexham Place, Marietta, GA 30068 (US). **JONES, Stuart Michael, Ruan** [GB/GB]; 8 Pryor's Orchard, Melbourn, Royston, Hert-

fordshire SG8 6UT (GB). **DENT, Philip, Andrew** [GB/GB]; 5 Offa Lea, Newton, Cambridgeshire CB22 5PW (GB). **GOULD, Claire, Louise** [GB/GB]; 97 Woodfield Lane, Cambourne, Cambridgeshire CB3 6DT (GB).

(74) Agents: **PAPPAS, Peter, G.** et al.; Sutherland Asbill & Brennan LLP, 999 Peachtree Street, NE, Atlanta, GA 30309-3996 (US).

(81) Designated States (unless otherwise indicated, for every kind of national protection available): AE, AG, AL, AM, AO, AT, AU, AZ, BA, BB, BG, BH, BR, BW, BY, BZ, CA, CH, CN, CO, CR, CU, CZ, DE, DK, DM, DO, DZ, EC, EE, EG, ES, FI, GB, GD, GE, GH, GM, GT, HN, HR, HU, ID, IL, IN, IS, JP, KE, KG, KM, KN, KP, KR, KZ, LA, LC, LK, LR, LS, LT, LU, LY, MA, MD, ME, MG, MK, MN, MW, MX, MY, MZ, NA, NG, NI, NO, NZ, OM, PG, PH, PL, PT, RO, RS, RU, SC, SD, SE, SG, SK, SL, SM, ST, SV, SY, TJ, TM, TN, TR, TT, TZ, UA, UG, US, UZ, VC, VN, ZA, ZM, ZW.

(84) Designated States (unless otherwise indicated, for every kind of regional protection available): ARIPO (BW, GH, GM, KE, LS, MW, MZ, NA, SD, SL, SZ, TZ, UG, ZM, ZW), Eurasian (AM, AZ, BY, KG, KZ, MD, RU, TJ, TM), European (AT, BE, BG, CH, CY, CZ, DE, DK, EE, ES, FI, FR, GB, GR, HR, HU, IE, IS, IT, LT, LU, LV, MC, MT, NL, NO, PL, PT, RO, SE, SI, SK, TR), OAPI

[Continued on next page]

(54) Title: POST-PROCESSING OF POLYLACTIC ACID ARTICLE

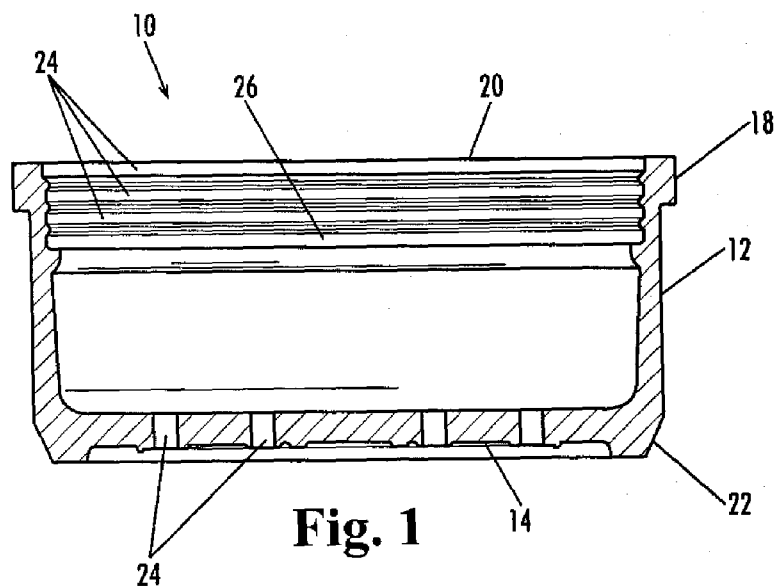


Fig. 1

(57) Abstract: Methods are provided for making a polylactic acid article. The methods may include the steps of providing an article comprising polylactic acid; supporting the article using a carrier support system; and curing the article with heat. The step of curing the article is effective to improve one or more properties of the article. Articles comprising polylactic acid also are provided having improved properties. Methods also are provided for preparing a beverage including the steps of providing a pod comprising polylactic acid, wherein the pod has been cured with heat while being supported by a carrier support system; placing a beverage material in the pod; placing a hot liquid into the pod; brewing the beverage material and hot liquid in the pod to create a beverage; and removing the beverage from the pod.



WO 2009/018380 A3



(BF, BJ, CF, CG, CI, CM, GA, GN, GQ, GW, ML, MR, NE, SN, TD, TG).

— *before the expiration of the time limit for amending the claims and to be republished in the event of receipt of amendments (Rule 48.2(h))*

Published:

— *with international search report (Art. 21(3))*

(88) Date of publication of the international search report:

13 August 2009

INTERNATIONAL SEARCH REPORT

International application No
PCT/US2008/071649

A. CLASSIFICATION OF SUBJECT MATTER

INV. A47J31/00 B65D85/804 C08G63/91 C08J3/24 B29C49/64
A23F5/24 A23F5/26

According to International Patent Classification (IPC) or to both national classification and IPC

B. FIELDS SEARCHED

Minimum documentation searched (classification system followed by classification symbols)
A47J B65D C08G C08J C08L B29C A23F

Documentation searched other than minimum documentation to the extent that such documents are included in the fields searched

Electronic data base consulted during the international search (name of data base and, where practical, search terms used)

EPO-Internal, WPI Data, CHEM ABS Data

C. DOCUMENTS CONSIDERED TO BE RELEVANT

Category*	Citation of document, with indication, where appropriate, of the relevant passages	Relevant to claim No.
P, X	WO 2007/143514 A (ADVANCED PLASTICS TECHNOLOGIES [LU]; HUTCHINSON GERALD A [US]; SEQUIER) 13 December 2007 (2007-12-13) abstract; claims 20-31	1-27, 35-39
X	EP 1 422 044 A (TOYO SEIKAN KAISYA LTD [JP] TOYO SEIKAN KAISYA LTD [JP]; CARGILL DOW L) 26 May 2004 (2004-05-26) abstract; claims 1,8	1-27, 35-39
Y	paragraphs [0013], [0037], [0038], [0044], [0049], [0056], [0057], [0070]	28-34
X	WO 2006/002409 A (NATUREWORKS LLC [US]; CINK KEVIN [US]; BOPP RICHARD C [US]; SIKKEMA KE) 5 January 2006 (2006-01-05) abstract; claims 1,10 page 5, lines 3-7	1-27, 35-39
	-/--	

Further documents are listed in the continuation of Box C.

See patent family annex.

* Special categories of cited documents :

- *A* document defining the general state of the art which is not considered to be of particular relevance
- *E* earlier document but published on or after the international filing date
- *L* document which may throw doubts on priority claim(s) or which is cited to establish the publication date of another citation or other special reason (as specified)
- *O* document referring to an oral disclosure, use, exhibition or other means
- *P* document published prior to the international filing date but later than the priority date claimed

- *T* later document published after the international filing date or priority date and not in conflict with the application but cited to understand the principle or theory underlying the invention
- *X* document of particular relevance; the claimed invention cannot be considered novel or cannot be considered to involve an inventive step when the document is taken alone
- *Y* document of particular relevance; the claimed invention cannot be considered to involve an inventive step when the document is combined with one or more other such documents, such combination being obvious to a person skilled in the art.
- *&* document member of the same patent family

Date of the actual completion of the international search

18 June 2009

Date of mailing of the international search report

26/06/2009

Name and mailing address of the ISA/

European Patent Office, P.B. 5818 Patentlaan 2
NL - 2280 HV Rijswijk
Tel. (+31-70) 340-2040,
Fax: (+31-70) 340-3016

Authorized officer

Groh, Björn

INTERNATIONAL SEARCH REPORT

International application No
PCT/US2008/071649

C(Continuation). DOCUMENTS CONSIDERED TO BE RELEVANT

Category*	Citation of document, with indication, where appropriate, of the relevant passages	Relevant to claim No.
Y	US 5 242 702 A (FOND OLIVIER [CH]) 7 September 1993 (1993-09-07) column 2, lines 45-49; claim 1 -----	28-34
A	EP 1 360 918 A (DALLA CORTE S R L [IT]) 12 November 2003 (2003-11-12) paragraph [0004] -----	29-34
A	GB 2 416 480 A (KRAFT FOODS R & D INC [DE]) 1 February 2006 (2006-02-01) page 14, lines 9-15; claims 21,24 -----	28

INTERNATIONAL SEARCH REPORT

International application No.
PCT/US2008/071649

Box No. II Observations where certain claims were found unsearchable (Continuation of item 2 of first sheet)

This international search report has not been established in respect of certain claims under Article 17(2)(a) for the following reasons:

1. Claims Nos.:
because they relate to subject matter not required to be searched by this Authority, namely:

2. Claims Nos.:
because they relate to parts of the international application that do not comply with the prescribed requirements to such an extent that no meaningful international search can be carried out, specifically:

3. Claims Nos.:
because they are dependent claims and are not drafted in accordance with the second and third sentences of Rule 6.4(a).

Box No. III Observations where unity of invention is lacking (Continuation of item 3 of first sheet)

This International Searching Authority found multiple inventions in this international application, as follows:

see additional sheet

1. As all required additional search fees were timely paid by the applicant, this international search report covers allsearchable claims.
2. As all searchable claims could be searched without effort justifying an additional fees, this Authority did not invite payment of additional fees.
3. As only some of the required additional search fees were timely paid by the applicant, this international search report covers only those claims for which fees were paid, specifically claims Nos.:
4. No required additional search fees were timely paid by the applicant. Consequently, this international search report is restricted to the invention first mentioned in the claims; it is covered by claims Nos.:

Remark on Protest

- The additional search fees were accompanied by the applicant's protest and, where applicable, the payment of a protest fee.
- The additional search fees were accompanied by the applicant's protest but the applicable protest fee was not paid within the time limit specified in the invitation.
- No protest accompanied the payment of additional search fees.

FURTHER INFORMATION CONTINUED FROM PCT/ISA/ 210

This International Searching Authority found multiple (groups of) inventions in this international application, as follows:

1. claims: 1-27,35-39

Method for
making an article or
increasing the thermal stability of polylactic acid articles

2. claims: 28-34

Method for preparing a beverage.

INTERNATIONAL SEARCH REPORT

Information on patent family members

International application No

PCT/US2008/071649

Patent document cited in search report	Publication date	Patent family member(s)	Publication date		
WO 2007143514 A	13-12-2007	AR 061426 A1	27-08-2008		
		AU 2007256851 A1	13-12-2007		
		EP 2032337 A2	11-03-2009		
		KR 20090029753 A	23-03-2009		
		US 2008044603 A1	21-02-2008		
EP 1422044 A	26-05-2004	CN 1556747 A	22-12-2004		
		WO 03008178 A1	30-01-2003		
		US 2004210031 A1	21-10-2004		
WO 2006002409 A	05-01-2006	AU 2005258308 A1	05-01-2006		
		BR PI0512366 A	11-03-2008		
		CA 2571252 A1	05-01-2006		
		CN 101432112 A	13-05-2009		
		EP 1778448 A2	02-05-2007		
		JP 2008504144 T	14-02-2008		
		KR 20070041524 A	18-04-2007		
		US 5242702 A	07-09-1993	AT 93373 T	15-09-1993
AU 645327 B2	13-01-1994				
BR 9102996 A	18-02-1992				
CA 2046557 A1	28-01-1992				
DE 69002945 D1	30-09-1993				
DE 69002945 T2	20-01-1994				
DK 0468078 T3	03-01-1994				
EP 0468078 A1	29-01-1992				
ES 2043196 T3	16-12-1993				
FI 913267 A	28-01-1992				
JP 2010682 C	02-02-1996				
JP 4236921 A	25-08-1992				
JP 7036801 B	26-04-1995				
MX 174039 B	15-04-1994				
NO 912906 A	28-01-1992				
NZ 238938 A	27-06-1994				
PT 98456 A	31-08-1993				
ZA 9105419 A	29-04-1992				
EP 1360918 A	12-11-2003			AT 358433 T	15-04-2007
				DE 60312919 T2	13-12-2007
		ES 2282540 T3	16-10-2007		
		IT MI20020244 U1	07-11-2003		
		PT 1360918 E	31-05-2007		
GB 2416480 A	01-02-2006	AR 055235 A1	15-08-2007		
		AT 407601 T	15-09-2008		
		CA 2574961 A1	09-02-2006		
		CN 101090657 A	19-12-2007		
		EP 1796516 A2	20-06-2007		
		ES 2313407 T3	01-03-2009		
		JP 2008508041 T	21-03-2008		
		SI 1796516 T1	28-02-2009		
		US 2008187638 A1	07-08-2008		
		WO 2006014936 A2	09-02-2006		