



US00D738330S

(12) **United States Design Patent**
Braswell, Jr. et al.

(10) **Patent No.:** **US D738,330 S**

(45) **Date of Patent:** **** Sep. 8, 2015**

- (54) **ELECTROMAGNETIC FIELD APPARATUS**
- (71) Applicants: **Allen Braswell, Jr.**, Clearwater, FL
(US); **Frank Caruso**, Golden, CO (US)
- (72) Inventors: **Allen Braswell, Jr.**, Clearwater, FL
(US); **Frank Caruso**, Golden, CO (US)

6,819,210	B2 *	11/2004	Boynton et al.	335/299
6,992,486	B2	1/2006	Srinivasan	
D532,747	S *	11/2006	Ricci et al.	D13/110
D551,346	S *	9/2007	Lenfant et al.	D24/158
7,338,207	B2 *	3/2008	Gregerson et al.	378/198
D673,682	S	1/2013	Boudier	
8,421,457	B2 *	4/2013	Jacobson et al.	324/309

(Continued)

- (73) Assignee: **Applied Magentics, LLC**, Clearwater, FL (US)

FOREIGN PATENT DOCUMENTS

- (**) Term: **14 Years**

WO	WO 00/13749	3/2000
WO	WO 01/15775	3/2001

- (21) Appl. No.: **29/448,963**

OTHER PUBLICATIONS

- (22) Filed: **Mar. 14, 2013**
- (51) **LOC (10) Cl.** **13-99**
- (52) **U.S. Cl.**
USPC **D13/184; D24/158**
- (58) **Field of Classification Search**
USPC D24/232, 231, 233, 234, 185, 158;
D13/110, 101, 117, 118, 122, 183, 184,
D13/199; 248/278.1, 324; 378/19, 38, 39,
378/146, 179, 193, 195, 208; 600/13, 9
CPC A61N 2/02
See application file for complete search history.

Jacobson, J., Pico Tesla range magnetic fields tested in four site, double blind clinical study for treatment of osteoarthritic knees, *Gazzetta Medica Italiana-Arch. Sci. Med.*, 2001, 160:1-21.

(Continued)

Primary Examiner — Derrick Holland
Assistant Examiner — Jennifer O King
(74) *Attorney, Agent, or Firm* — Kilpatrick Townsend & Stockton LLP

- (56) **References Cited**

- (57) **CLAIM**
We claim the ornamental design for an electromagnetic field apparatus, as shown and described.

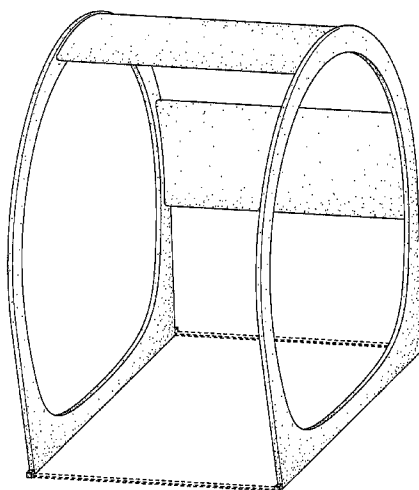
U.S. PATENT DOCUMENTS

DESCRIPTION

2,508,705	A *	5/1950	Beller et al.	252/62.54
D211,022	S *	5/1968	Kahn	D13/183
3,979,566	A *	9/1976	Willy	381/401
4,760,336	A *	7/1988	Conolly	324/309
D323,386	S	1/1992	Perusek	
5,386,191	A	1/1995	McCarten	
5,426,685	A	6/1995	Pellegrino et al.	
D380,832	S	7/1997	Isshiki et al.	
6,004,257	A	12/1999	Jacobson	
6,099,459	A	8/2000	Jacobson	
6,458,071	B1	10/2002	Jacobson	
D474,277	S	5/2003	Juni	
6,733,434	B2	5/2004	Jacobson	

FIG. 1 is a top, front and side perspective view of an electromagnetic field apparatus showing our new design; FIG. 2 is a top, rear and side perspective view thereof; FIG. 3 is a left side elevation view thereof; the right side elevational view is a mirror image of the left side elevational view; and, FIG. 4 is a front elevation view thereof. The broken lines shown represent unclaimed subject matter and form no part of the claimed design.

1 Claim, 4 Drawing Sheets



(56)

References Cited

U.S. PATENT DOCUMENTS

D686,324 S * 7/2013 Davis et al. D24/158
D689,612 S * 9/2013 Braswell et al. D24/158
D701,960 S * 4/2014 Braswell et al. D24/158
2007/0276440 A1 11/2007 Jacobson
2009/0082612 A1 * 3/2009 Litovitz 600/13

2010/0072996 A1 3/2010 Jacobson et al.
2013/0225908 A1 * 8/2013 Jacobson et al. 600/13

OTHER PUBLICATIONS

U.S. Appl. No. 29/397,808, filed Jul. 21, 2011, Braswell, Jr.

* cited by examiner

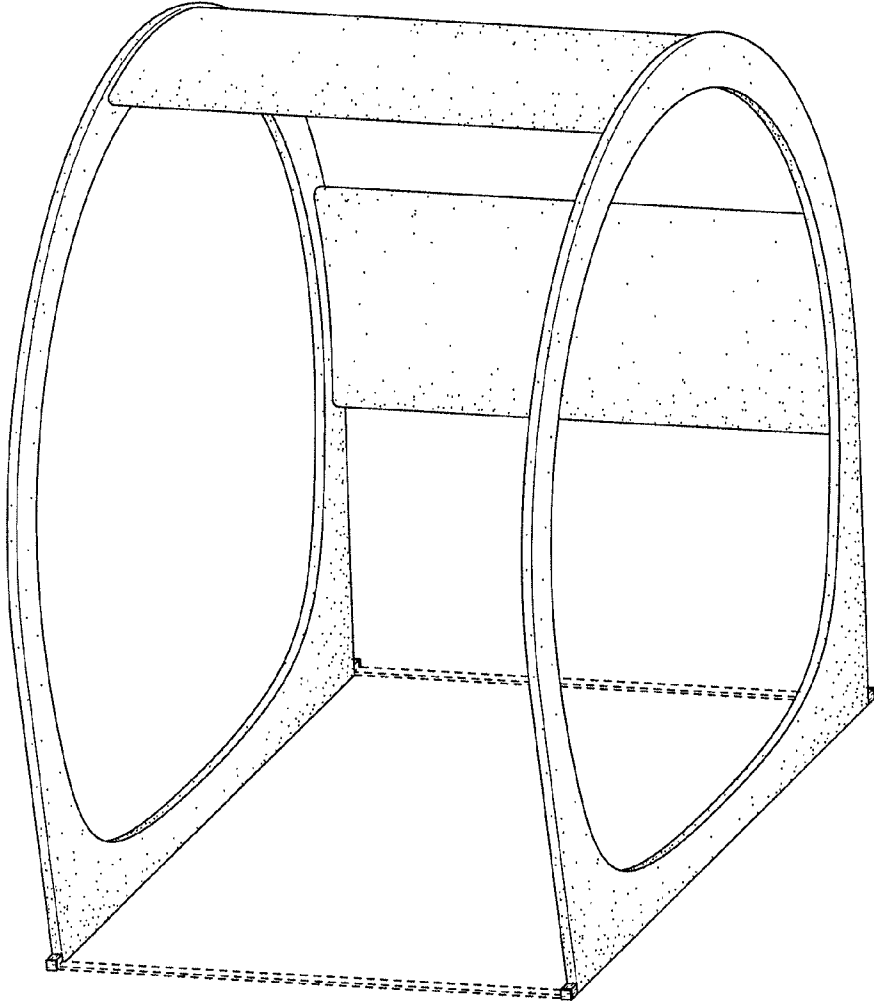


FIG. 1

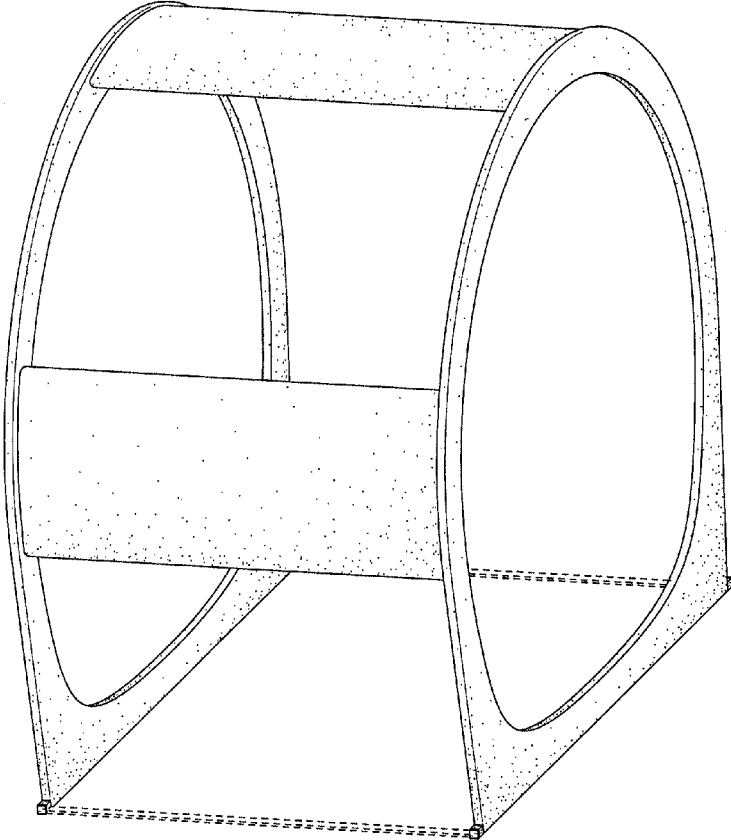


FIG. 2

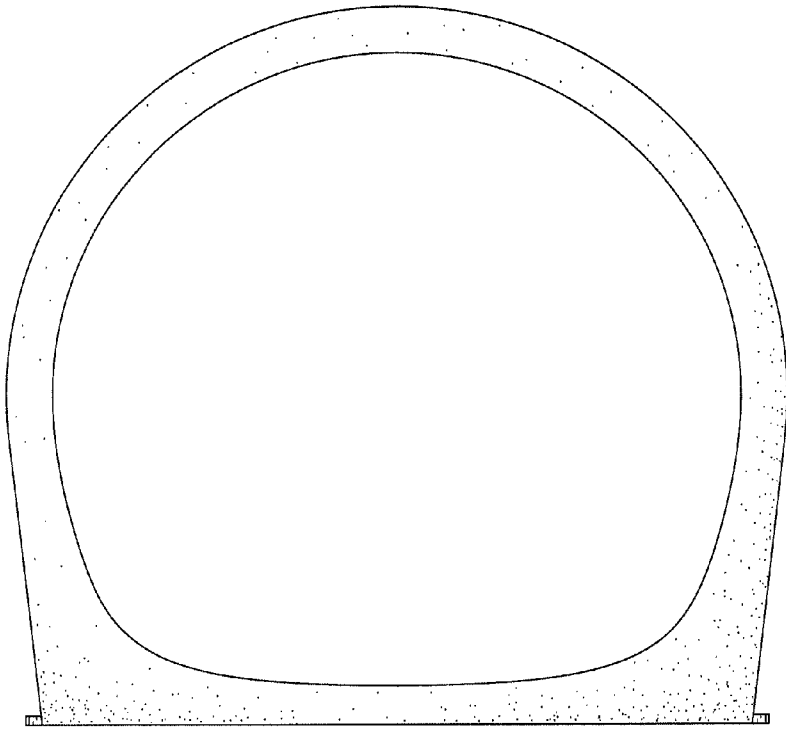


FIG. 3

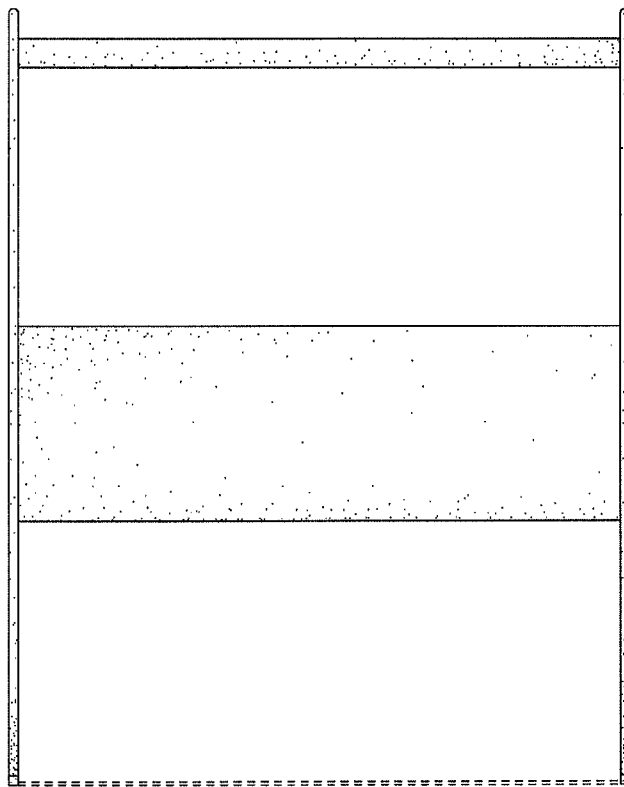


FIG. 4