

(19) World Intellectual Property Organization
International Bureau



(43) International Publication Date
8 November 2001 (08.11.2001)

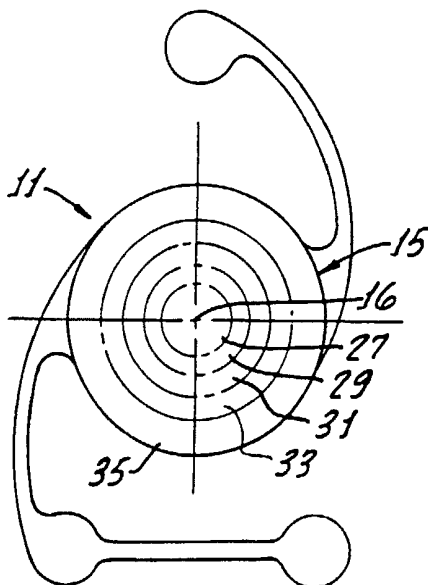
PCT

(10) International Publication Number
WO 01/084214 A3

- (51) International Patent Classification⁷: G02C 7/04, A61F 2/16
- (21) International Application Number: PCT/US01/14140
- (22) International Filing Date: 2 May 2001 (02.05.2001)
- (25) Filing Language: English
- (26) Publication Language: English
- (30) Priority Data:
09/564,317 3 May 2000 (03.05.2000) US
- (71) Applicant (for all designated States except US): ALLERGAN SALES, INC. [US/US]; 2525 Dupont Drive, Irvine, CA 92612 (US).
- (72) Inventor; and
- (75) Inventor/Applicant (for US only): LANG, Alan, J. [US/US]; 3848 Walnut Avenue, Long Beach, CA 90807 (US).
- (74) Agents: DONOVAN, Stephen et al.; c/o Allergan Sales, Inc., 2525 Dupont Drive, Irvine, CA 92612 (US).
- (81) Designated States (national): AE, AG, AL, AM, AT, AU, AZ, BA, BB, BG, BR, BY, BZ, CA, CH, CN, CR, CU, CZ, DE, DK, DM, DZ, EE, ES, FI, GB, GD, GE, GH, GM, HR, HU, ID, IL, IN, IS, JP, KE, KG, KP, KR, KZ, LC, LK, LR, LS, LT, LU, LV, MA, MD, MG, MK, MN, MW, MX, MZ, NO, NZ, PL, PT, RO, RU, SD, SE, SG, SI, SK, SL, TJ, TM, TR, TT, TZ, UA, UG, US, UZ, VN, YU, ZA, ZW.
- (84) Designated States (regional): ARIPO patent (GH, GM, KE, LS, MW, MZ, SD, SL, SZ, TZ, UG, ZW), Eurasian patent (AM, AZ, BY, KG, KZ, MD, RU, TJ, TM), European patent (AT, BE, CH, CY, DE, DK, ES, FI, FR, GB, GR, IE, IT, LU, MC, NL, PT, SE, TR), OAPI patent (BF, BJ, CF, CG, CI, CM, GA, GN, GW, ML, MR, NE, SN, TD, TG).
- Published:
— with international search report
- (88) Date of publication of the international search report:
4 July 2002

For two-letter codes and other abbreviations, refer to the "Guidance Notes on Codes and Abbreviations" appearing at the beginning of each regular issue of the PCT Gazette.

(54) Title: OPHTHALMIC LENS SYSTEMS



(57) Abstract: An ophthalmic lens system for improving the vision of a patient comprising first and second ophthalmic lenses. Each of these lenses is adapted for implantation in an eye or to be disposed on or in the cornea. The first ophthalmic lens is biased for distance vision and the second ophthalmic lens is biased for intermediate vision. The ophthalmic lenses may be intraocular lenses which are implanted in the eyes of a patient without removal of the natural lens.

WO 01/084214 A3

INTERNATIONAL SEARCH REPORT

International Application No

PC1/US 01/14140

A. CLASSIFICATION OF SUBJECT MATTER
 IPC 7 G02C7/04 A61F2/16

According to International Patent Classification (IPC) or to both national classification and IPC

B. FIELDS SEARCHED

Minimum documentation searched (classification system followed by classification symbols)

IPC 7 G02C A61F

Documentation searched other than minimum documentation to the extent that such documents are included in the fields searched

Electronic data base consulted during the international search (name of data base and, where practical, search terms used)

EPO-Internal, WPI Data, PAJ

C. DOCUMENTS CONSIDERED TO BE RELEVANT

Category *	Citation of document, with indication, where appropriate, of the relevant passages	Relevant to claim No.
A	US 5 929 969 A (ROFFMAN JEFFREY H) 27 July 1999 (1999-07-27) column 2, line 59 -column 3, line 2 column 11, line 43 -column 13, line 7 ---	1-18
A	WO 97 12272 A (DUNN STEPHEN A) 3 April 1997 (1997-04-03) page 4, line 24 -page 8, line 11 ---	1-18
A	WO 98 21621 A (PERMEABLE TECH INC) 22 May 1998 (1998-05-22) claims ---	1-18
A	US 5 702 440 A (PORTNEY VALDEMAR) 30 December 1997 (1997-12-30) column 2, line 15 - line 62; claims --- -/--	19-42

Further documents are listed in the continuation of box C.

Patent family members are listed in annex.

* Special categories of cited documents :

- *A* document defining the general state of the art which is not considered to be of particular relevance
- *E* earlier document but published on or after the international filing date
- *L* document which may throw doubts on priority claim(s) or which is cited to establish the publication date of another citation or other special reason (as specified)
- *O* document referring to an oral disclosure, use, exhibition or other means
- *P* document published prior to the international filing date but later than the priority date claimed

- *T* later document published after the international filing date or priority date and not in conflict with the application but cited to understand the principle or theory underlying the invention
- *X* document of particular relevance; the claimed invention cannot be considered novel or cannot be considered to involve an inventive step when the document is taken alone
- *Y* document of particular relevance; the claimed invention cannot be considered to involve an inventive step when the document is combined with one or more other such documents, such combination being obvious to a person skilled in the art.
- * & * document member of the same patent family

Date of the actual completion of the international search

9 November 2001

Date of mailing of the international search report

15/11/2001

Name and mailing address of the ISA

European Patent Office, P.B. 5818 Patentlaan 2
 NL - 2280 HV Rijswijk
 Tel. (+31-70) 340-2040. Tx. 31 651 epo nl.
 Fax: (+31-70) 340-3016

Authorized officer

CALLEWAERT, H

INTERNATIONAL SEARCH REPORT

International Application No
 PCT/US 01/14140

C.(Continuation) DOCUMENTS CONSIDERED TO BE RELEVANT		
Category *	Citation of document, with indication, where appropriate, of the relevant passages	Relevant to claim No.
P, A	WO 00 66039 A (ALLERGAN SALES INC) 9 November 2000 (2000-11-09) cited in the application page 2, line 20 -page 7, line 21 -----	19-42

INTERNATIONAL SEARCH REPORT

Information on patent family members

International Application No

PC1/US 01/14140

Patent document cited in search report		Publication date	Patent family member(s)	Publication date
US 5929969	A	27-07-1999	AU 717501 B2	30-03-2000
			AU 5194996 A	14-11-1996
			BR 9602144 A	30-06-1998
			CA 2175651 A1	05-11-1996
			EP 0742464 A2	13-11-1996
			JP 9026559 A	28-01-1997
			NO 961807 A	05-11-1996
			NZ 286404 A	26-02-1998
			SG 48436 A1	17-04-1998
WO 9712272	A	03-04-1997	AU 716852 B2	09-03-2000
			AU 7378896 A	17-04-1997
			BR 9610704 A	21-12-1999
			CA 2233062 A1	03-04-1997
			CN 1198221 A	04-11-1998
			EP 0876634 A1	11-11-1998
			JP 11503250 T	23-03-1999
			JP 2001004962 A	12-01-2001
			NO 981398 A	27-05-1998
			WO 9712272 A1	03-04-1997
			WO 9821621	A
EP 0939918 A1	08-09-1999			
JP 2001503882 T	21-03-2001			
WO 9821621 A1	22-05-1998			
US 5702440	A	30-12-1997	EP 0883385 A2	16-12-1998
			JP 2000509289 T	25-07-2000
			WO 9726843 A1	31-07-1997
			US 6221105 B1	24-04-2001
			US 2001008977 A1	19-07-2001
			US 5919229 A	06-07-1999
WO 0066039	A	09-11-2000	AU 4685800 A	17-11-2000
			WO 0066039 A1	09-11-2000