



US00D346732S

United States Patent [19]

[11] Patent Number: **Des. 346,732**

Riblett et al.

[45] Date of Patent: **** May 10, 1994**

[54] **LOCKING WING FOR FASTENERS**

[56] **References Cited**

[75] Inventors: **Allen Riblett, Ardentown, Del.;**
James J. Ford, Schenectady, N.Y.

U.S. PATENT DOCUMENTS

D. 336,416	6/1993	Ford	D8/499
D. 337,506	7/1993	Ford	D8/499
2,798,404	7/1957	Schaefer et al.	D8/387
4,088,355	5/1978	Dey	411/389
4,090,727	5/1978	Busch et al.	292/111
4,746,151	5/1988	Hoerl	292/111
4,758,031	7/1988	Wolf	292/111
4,958,865	9/1990	Cheng et al.	292/113

[73] Assignee: **Southco, Inc., Concordville, Pa.**

[**] Term: **14 Years**

Primary Examiner—B. J. Bullock
Attorney, Agent, or Firm—Paul & Paul

[21] Appl. No.: **2,550**

[57] **CLAIM**

[22] Filed: **Dec. 11, 1992**

The ornamental design for a locking wing for fasteners, as shown.

Related U.S. Application Data

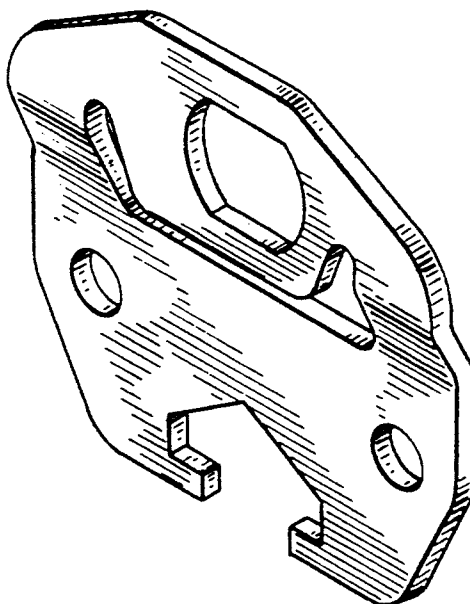
[63] Continuation-in-part of Ser. No. 869,228, Apr. 14, 1992.

[52] U.S. Cl. **D8/306; D8/343;**
D8/499

[58] Field of Search **D8/300, 306, 343, 499,**
D8/398, 382; 411/337, 389, 403; 292/111, 113,
251; 24/606

DESCRIPTION

FIG. 1 is a perspective view of a locking wing for fasteners embodying our new design; FIG. 2 is a top plan view thereof; FIG. 3 is a front elevational view thereof; FIG. 4 is a right side elevational view thereof; FIG. 5 is a bottom plan view thereof; and, FIG. 6 is a rear elevational view thereof.



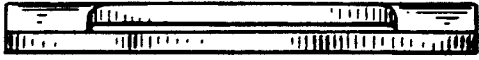


Fig. 2

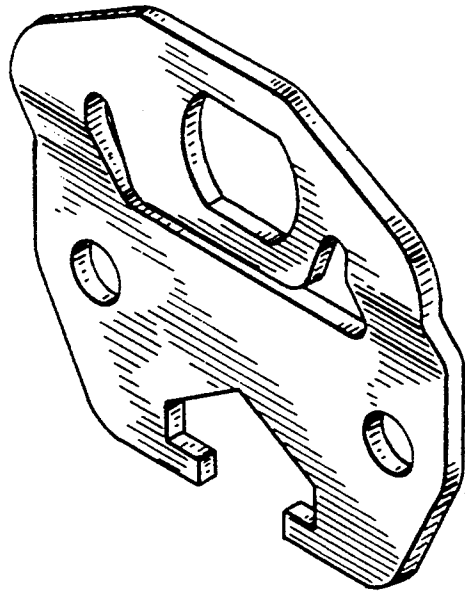


Fig. 1

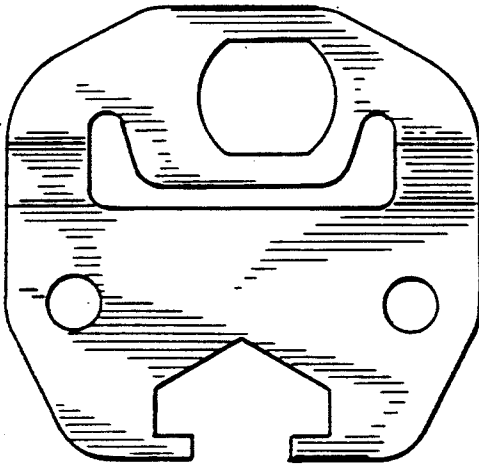


Fig. 3



Fig. 4

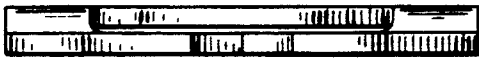


Fig. 5

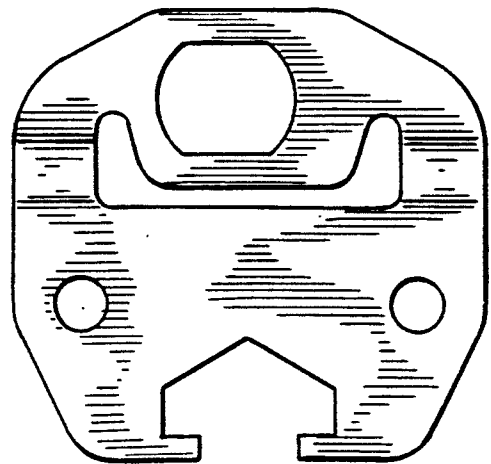


Fig. 6