

(19) World Intellectual Property Organization
International Bureau



(43) International Publication Date
11 May 2006 (11.05.2006)

PCT

(10) International Publication Number
WO 2006/048664 A3

(51) International Patent Classification:
A61B 5/0215 (2006.01)

(74) Agents: LAMBERT, Ian, Robert et al.; Wynne-Jones, Laine & James, 22 Rodney Road, Cheltenham, Gloucestershire GL50 1JJ (GB).

(21) International Application Number:
PCT/GB2005/004265

(81) Designated States (unless otherwise indicated, for every kind of national protection available): AE, AG, AL, AM, AT, AU, AZ, BA, BB, BG, BR, BW, BY, BZ, CA, CH, CN, CO, CR, CU, CZ, DE, DK, DM, DZ, EC, EE, EG, ES, FI, GB, GD, GE, GH, GM, HR, HU, ID, IL, IN, IS, JP, KE, KG, KM, KN, KP, KR, KZ, LC, LK, LR, LS, LT, LU, LV, LY, MA, MD, MG, MK, MN, MW, MX, MZ, NA, NG, NI, NO, NZ, OM, PG, PH, PL, PT, RO, RU, SC, SD, SE, SG, SK, SL, SM, SY, TJ, TM, TN, TR, TT, TZ, UA, UG, US, UZ, VC, VN, YU, ZA, ZM, ZW.

(22) International Filing Date:
4 November 2005 (04.11.2005)

(25) Filing Language: English

(26) Publication Language: English

(30) Priority Data:
PCT/GB2004/004661
4 November 2004 (04.11.2004) GB
0428000.4 21 December 2004 (21.12.2004) GB

(84) Designated States (unless otherwise indicated, for every kind of regional protection available): ARIPO (BW, GH, GM, KE, LS, MW, MZ, NA, SD, SL, SZ, TZ, UG, ZM, ZW), Eurasian (AM, AZ, BY, KG, KZ, MD, RU, TJ, TM), European (AT, BE, BG, CH, CY, CZ, DE, DK, EE, ES, FI, FR, GB, GR, HU, IE, IS, IT, LT, LU, LV, MC, NL, PL, PT, RO, SE, SI, SK, TR), OAPI (BF, BJ, CF, CG, CI, CM, GA, GN, GQ, GW, ML, MR, NE, SN, TD, TG).

(71) Applicant (for all designated States except US): L & P 100 LIMITED [GB/GB]; 10-12 East Parade, Leeds LS1 2AJ (GB).

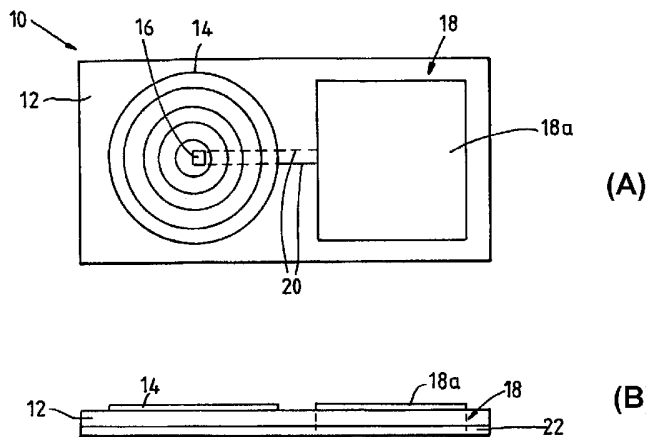
(72) Inventor; and

(75) Inventor/Applicant (for US only): PAYNE, Peter, Alfred [GB/GB]; Tawgreen Cottage, Bondleigh, North Tawton, Devon EX20 2AT (GB).

Published:
— with international search report

[Continued on next page]

(54) Title: MEDICAL DEVICES



(57) Abstract: There is provided a medical device for implantation in a body including: a substrate formed from a material capable of acting as an active sensing material for sensing a physiologically or clinically relevant parameter; at least one sensor for sensing a physiologically or clinically relevant parameter, each sensor including a portion of the substrate which is configured to act as an active sensing material; and telemetric communication means coupled to said at least one sensor for telemetrically transmitting data related to a parameter sensed by the at least one sensor to a remote device.

WO 2006/048664 A3



— *before the expiration of the time limit for amending the claims and to be republished in the event of receipt of amendments*

For two-letter codes and other abbreviations, refer to the "Guidance Notes on Codes and Abbreviations" appearing at the beginning of each regular issue of the PCT Gazette.

(88) Date of publication of the international search report:

24 August 2006

INTERNATIONAL SEARCH REPORT

International application No
PCT/GB2005/004265

A. CLASSIFICATION OF SUBJECT MATTER
INV. A61B5/0215

According to International Patent Classification (IPC) or to both national classification and IPC

B. FIELDS SEARCHED

Minimum documentation searched (classification system followed by classification symbols)
A61B A61F H01Q

Documentation searched other than minimum documentation to the extent that such documents are included in the fields searched

Electronic data base consulted during the international search (name of data base and, where practical, search terms used)

EPO-Internal

C. DOCUMENTS CONSIDERED TO BE RELEVANT

Category*	Citation of document, with indication, where appropriate, of the relevant passages	Relevant to claim No.
X Y A	WO 02/076289 A (KAIN, ARON, Z) 3 October 2002 (2002-10-03) page 3, last paragraph - page 4, last paragraph page 7, last paragraph - page 9, paragraph 1 page 10, last paragraph - page 11, paragraph 1 page 20, paragraph 3 page 25, last paragraph - page 26, paragraph 1 page 27, paragraph 1 page 30, paragraph 2 figures 1A,1B,2 ----- -/--	1-6, 12-18, 26,29,31 7-11,19, 23-25, 27,28,30 20-22

Further documents are listed in the continuation of Box C.

See patent family annex.

* Special categories of cited documents :

- "A" document defining the general state of the art which is not considered to be of particular relevance
- "E" earlier document but published on or after the international filing date
- "L" document which may throw doubts on priority claim(s) or which is cited to establish the publication date of another citation or other special reason (as specified)
- "O" document referring to an oral disclosure, use, exhibition or other means
- "P" document published prior to the international filing date but later than the priority date claimed

- "T" later document published after the international filing date or priority date and not in conflict with the application but cited to understand the principle or theory underlying the invention
- "X" document of particular relevance; the claimed invention cannot be considered novel or cannot be considered to involve an inventive step when the document is taken alone
- "Y" document of particular relevance; the claimed invention cannot be considered to involve an inventive step when the document is combined with one or more other such documents, such combination being obvious to a person skilled in the art.
- "&" document member of the same patent family

Date of the actual completion of the international search

21 February 2006

Date of mailing of the international search report

03 -07- 2006

Name and mailing address of the ISA/
 European Patent Office, P.B. 5818 Patentlaan 2
 NL - 2280 HV Rijswijk
 Tel. (+31-70) 340-2040, Tx. 31 651 epo nl,
 Fax: (+31-70) 340-3016

Authorized officer

Dydenko, I

INTERNATIONAL SEARCH REPORT

International application No
P/GB2005/004265

C(Continuation). DOCUMENTS CONSIDERED TO BE RELEVANT		
Category*	Citation of document, with indication, where appropriate, of the relevant passages	Relevant to claim No.
Y	US 2004/085247 A1 (MICKLE MARLIN H ET AL) 6 May 2004 (2004-05-06) page 2, paragraph 20 page 5, paragraph 70 figures 5A,5B -----	7,8,24, 25,30
X	US 6 277 078 B1 (PORAT YARIV ET AL) 21 August 2001 (2001-08-21)	1,26
Y	column 9, line 55 - column 13, line 60	9-11,27, 28
A	column 18, line 29 - line 67 -----	24
Y	EP 0 758 542 A (ATS MEDICAL, INC; VILLAFANA, MANUEL A) 19 February 1997 (1997-02-19) column 2, line 28 - line 56 column 3, line 57 - column 4, line 12 -----	19,23
A	US 2003/032993 A1 (MICKLE MARLIN ET AL) 13 February 2003 (2003-02-13) page 7, paragraph 125 figures 6,7 -----	7,8,24, 25,30
A	WO 01/09640 A (MARCONI CASWELL LIMITED; FORSTER, IAN, JAMES) 8 February 2001 (2001-02-08) page 15, line 22 - page 16, line 21 figure 2 -----	7,8,24, 25,30
X	US 2003/139677 A1 (FONSECA MICHAEL ET AL) 24 July 2003 (2003-07-24)	1,26
A	page 1, paragraph 1 page 1, paragraph 15 - page 2, paragraph 17 page 4, paragraph 55 - page 5, paragraph 65 figures 8,9,15,16 -----	24

INTERNATIONAL SEARCH REPORT

International application No.
PCT/GB2005/004265

Box II Observations where certain claims were found unsearchable (Continuation of item 2 of first sheet)

This International Search Report has not been established in respect of certain claims under Article 17(2)(a) for the following reasons:

1. Claims Nos.: 36
because they relate to subject matter not required to be searched by this Authority, namely:
The features of the claim are impossible to determine from the wording (clarity - Article 6 PCT); the claim makes reference to drawings (contrarily to Rule 6.2a PCT).
2. Claims Nos.: 36
because they relate to parts of the International Application that do not comply with the prescribed requirements to such an extent that no meaningful International Search can be carried out, specifically:
see FURTHER INFORMATION sheet PCT/ISA/210
3. Claims Nos.:
because they are dependent claims and are not drafted in accordance with the second and third sentences of Rule 6.4(a).

Box III Observations where unity of invention is lacking (Continuation of item 3 of first sheet)

This International Searching Authority found multiple inventions in this international application, as follows:

see additional sheet

1. As all required additional search fees were timely paid by the applicant, this International Search Report covers all searchable claims.
2. As all searchable claims could be searched without effort justifying an additional fee, this Authority did not invite payment of any additional fee.
3. As only some of the required additional search fees were timely paid by the applicant, this International Search Report covers only those claims for which fees were paid, specifically claims Nos.:
4. No required additional search fees were timely paid by the applicant. Consequently, this International Search Report is restricted to the invention first mentioned in the claims; it is covered by claims Nos.:

1-31

Remark on Protest

- The additional search fees were accompanied by the applicant's protest.
 No protest accompanied the payment of additional search fees.

FURTHER INFORMATION CONTINUED FROM PCT/ISA/ 210

Continuation of Box II.1

Continuation of Box II.1

Claims Nos.: 36

The features of the claim are impossible to determine from the wording (clarity - Article 6 PCT); the claim makes reference to drawings (contrarily to Rule 6.2a PCT).

Continuation of Box II.2

Claims Nos.: 36

The features of the claim are impossible to determine from the wording (clarity - Article 6 PCT); the claim makes reference to drawings (contrarily to Rule 6.2a PCT).

The applicant's attention is drawn to the fact that claims relating to inventions in respect of which no international search report has been established need not be the subject of an international preliminary examination (Rule 66.1(e) PCT). The applicant is advised that the EPO policy when acting as an International Preliminary Examining Authority is normally not to carry out a preliminary examination on matter which has not been searched. This is the case irrespective of whether or not the claims are amended following receipt of the search report or during any Chapter II procedure. If the application proceeds into the regional phase before the EPO, the applicant is reminded that a search may be carried out during examination before the EPO (see EPO Guideline C-VI, 8.5), should the problems which led to the Article 17(2) declaration be overcome.

FURTHER INFORMATION CONTINUED FROM PCT/ISA/ 210

This International Searching Authority found multiple (groups of) inventions in this international application, as follows:

1. claims: 1-31

medical device for implantation in a body, comprising a substrate and a sensor including a portion of the substrate

2. claims: 32-35

medical device for implantation in a body, comprising two sensors and differential measurement means

INTERNATIONAL SEARCH REPORT

■ information on patent family members

International application No

PCT/GB2005/004265

Patent document cited in search report		Publication date	Patent family member(s)	Publication date
WO 02076289	A	03-10-2002	AU 2002255953 A1	08-10-2002
US 2004085247	A1	06-05-2004	AU 2003278703 A1 EP 1547193 A2 JP 2005536150 T WO 2004017456 A2	03-03-2004 29-06-2005 24-11-2005 26-02-2004
US 6277078	B1	21-08-2001	AU 1297701 A WO 0136014 A2	30-05-2001 25-05-2001
EP 0758542	A	19-02-1997	DE 69529893 D1 DE 69529893 T2 DE 758542 T1 ES 2100137 T1	17-04-2003 27-11-2003 17-07-1997 16-06-1997
US 2003032993	A1	13-02-2003	AU 2376700 A CA 2355791 A1 CN 1333669 A EP 1148815 A1 JP 2002533052 T WO 0036974 A1 US 6289237 B1	12-07-2000 29-06-2000 30-01-2002 31-10-2001 02-10-2002 29-06-2000 11-09-2001
WO 0109640	A	08-02-2001	AU 781231 B2 AU 6301800 A CA 2380534 A1 CN 1377466 A EP 1206709 A1 GB 2352931 A JP 2003506948 T US 6894616 B1	12-05-2005 19-02-2001 08-02-2001 30-10-2002 22-05-2002 07-02-2001 18-02-2003 17-05-2005
US 2003139677	A1	24-07-2003	WO 03061467 A1 US 2005015014 A1	31-07-2003 20-01-2005