

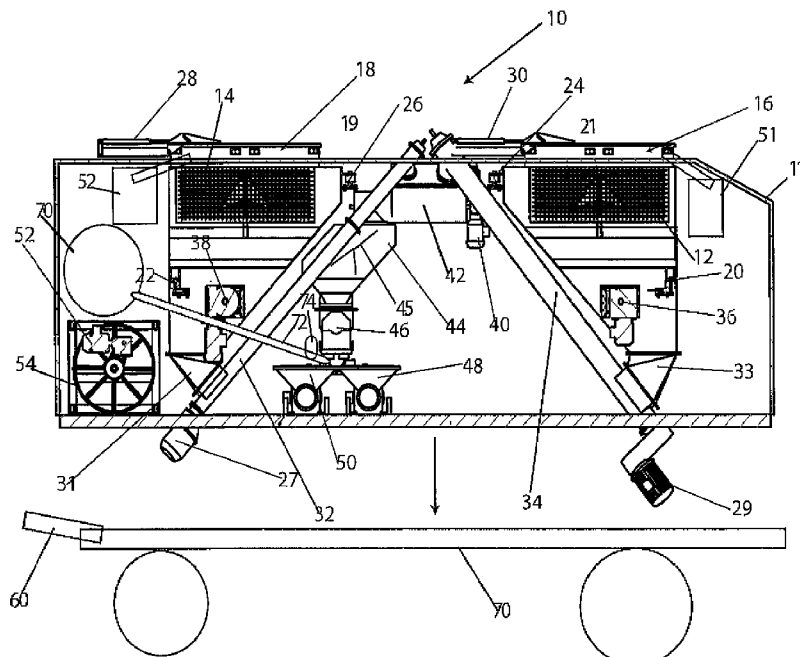


- (51) International Patent Classification: *E04G 21/02* (2006.01)
- (21) International Application Number: PCT/US2012/047295
- (22) International Filing Date: 19 July 2012 (19.07.2012)
- (25) Filing Language: English
- (26) Publication Language: English
- (30) Priority Data: 61/509,749 20 July 2011 (20.07.2011) US
- (71) Applicant (for all designated States except US): **SBS PRODUCT TECHNOLOGIES, LLC** [US/US]; 38 Harbor Park Drive, Port Washington, 11050 (US).
- (72) Inventors; and
- (75) Inventors/Applicants (for US only): **DEGARAY, Stephen** [US/US]; 157 Rouges Path, Huntington, NY 11743 (US). **LARSEN, Peter** [DK/DK]; Farum (DK).
- (74) Agents: **COLLARD, William** et al.; Collard & Roe, P.C., 1077 Northern Blvd, Roslyn, NY 11576 (US).
- (81) Designated States (unless otherwise indicated, for every kind of national protection available): AE, AG, AL, AM, AO, AT, AU, AZ, BA, BB, BG, BH, BR, BW, BY, BZ, CA, CH, CL, CN, CO, CR, CU, CZ, DE, DK, DM, DO, DZ, EC, EE, EG, ES, FI, GB, GD, GE, GH, GM, GT, HN, HR, HU, ID, IL, IN, IS, JP, KE, KG, KM, KN, KP, KR, KZ, LA, LC, LK, LR, LS, LT, LU, LY, MA, MD, ME, MG, MK, MN, MW, MX, MY, MZ, NA, NG, NI, NO, NZ, OM, PE, PG, PH, PL, PT, QA, RO, RS, RU, RW, SC, SD, SE, SG, SK, SL, SM, ST, SV, SY, TH, TJ, TM, TN, TR, TT, TZ, UA, UG, US, UZ, VC, VN, ZA, ZM, ZW.
- (84) Designated States (unless otherwise indicated, for every kind of regional protection available): ARIPO (BW, GH, GM, KE, LR, LS, MW, MZ, NA, RW, SD, SL, SZ, TZ, UG, ZM, ZW), Eurasian (AM, AZ, BY, KG, KZ, RU, TJ, TM), European (AL, AT, BE, BG, CH, CY, CZ, DE, DK, EE, ES, FI, FR, GB, GR, HR, HU, IE, IS, IT, LT, LU, LV, MC, MK, MT, NL, NO, PL, PT, RO, RS, SE, SI, SK, SM,

[Continued on next page]

(54) Title: SYSTEM AND PROCESS FOR DELIVERING BUILDING MATERIALS

FIG 1



(57) Abstract: A system and process for mixing and distributing building materials. This system and process can also include a way or a means for calibrating the mixing of these materials.

WO 2013/012984 A3



TR), OAPI (BF, BJ, CF, CG, CI, CM, GA, GN, GQ, GW, ML, MR, NE, SN, TD, TG).

— *before the expiration of the time limit for amending the claims and to be republished in the event of receipt of amendments (Rule 48.2(h))*

**Published:**

— *with international search report (Art. 21(3))*

**(88) Date of publication of the international search report:**

4 April 2013

**A. CLASSIFICATION OF SUBJECT MATTER*****E04G 21/02(2006.01)i***

According to International Patent Classification (IPC) or to both national classification and IPC

**B. FIELDS SEARCHED**

Minimum documentation searched (classification system followed by classification symbols)

E04G 21/02; B28C 7/04; G06F 7/00; B28C 5/00; B28C 7/06

Documentation searched other than minimum documentation to the extent that such documents are included in the fields searched

Korean utility models and applications for utility models

Japanese utility models and applications for utility models

Electronic data base consulted during the international search (name of data base and, where practicable, search terms used)

eKOMPASS(KIPO internal) &amp; Keywords : building materials, concrete, ready-mixed concrete, RMC, truck mixer, sand, cement, binder, water, holding bin, pre-mixer and similar terms

**C. DOCUMENTS CONSIDERED TO BE RELEVANT**

Category*	Citation of document, with indication, where appropriate, of the relevant passages	Relevant to claim No.
X Y A	KR 10-2003-0027532 A (CHOI, SANG REUNG et al.) 7 April 2003 See column 4 line 34 - column 6 line 10 and figure 1.	1-7,9-11 12-17,20 8,18-19,21
Y A	KR 10-2002-0011787 A (KANG, SAENG YOUNG et al.) 9 February 2002 See column 6 lines 12-33 and figure 4.	12-15 1-11,16-21
Y A	US 2009-0180348 A1 (LONH, JR. RICHARD L.) 16 July 2009 See paragraphs 0024, 0025 and figure 9.	16-17 1-15,18-21
Y A	US 2002-0169517 A1 (HUDELMAIER, JOERG) 14 November 2002 See paragraph 0044 and figure 1.	20 1-19,21

 Further documents are listed in the continuation of Box C. See patent family annex.

\* Special categories of cited documents:

"A" document defining the general state of the art which is not considered to be of particular relevance

"E" earlier application or patent but published on or after the international filing date

"L" document which may throw doubts on priority claim(s) or which is cited to establish the publication date of citation or other special reason (as specified)

"O" document referring to an oral disclosure, use, exhibition or other means

"P" document published prior to the international filing date but later than the priority date claimed

"T" later document published after the international filing date or priority date and not in conflict with the application but cited to understand the principle or theory underlying the invention

"X" document of particular relevance; the claimed invention cannot be considered novel or cannot be considered to involve an inventive step when the document is taken alone

"Y" document of particular relevance; the claimed invention cannot be considered to involve an inventive step when the document is combined with one or more other such documents, such combination being obvious to a person skilled in the art

"&amp;" document member of the same patent family

Date of the actual completion of the international search

28 JANUARY 2013 (28.01.2013)

Date of mailing of the international search report

**29 JANUARY 2013 (29.01.2013)**

Name and mailing address of the ISA/KR

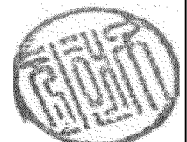


Facsimile No. 82-42-472-7140

Authorized officer

CHOI, Hyun Goo

Telephone No. 82-42-481-8288



**INTERNATIONAL SEARCH REPORT**

Information on patent family members

International application No.

**PCT/US2012/047295**

Patent document cited in search report	Publication date	Patent family member(s)	Publication date
KR 10-2003-0027532 A	07.04.2003	KR 20-0260613 Y1	15.01.2002
KR 10-2002-0011787 A	09.02.2002	None	
US 2009-0180348 A1	16.07.2009	None	
US 2002-0169517 A1	14.11.2002	None	