



- (51) International Patent Classification:
F23J 1/02 (2006.01) F27D 15/02 (2006.01)
B65G 21/20 (2006.01)
- (21) International Application Number: PCT/IB2013/055942
- (22) International Filing Date: 19 July 2013 (19.07.2013)
- (25) Filing Language: Italian
- (26) Publication Language: English
- (30) Priority Data: RM2012A000351 20 July 2012 (20.07.2012) IT
- (71) Applicant: MAGALDI INDUSTRIE S.R.L. [IT/IT]; Via Imo 219, I-84135 Salerno SA (IT).
- (72) Inventor: MAGALDI, Mario; Viale del Bosco 22, I-84134 Salerno SA (IT).
- (74) Agents: PAPA, Elisabetta et al.; Società Italiana Brevetti S.p.A., Piazza di Pietra 39, I-00186 Rome (IT).

- (81) Designated States (unless otherwise indicated, for every kind of national protection available): AE, AG, AL, AM, AO, AT, AU, AZ, BA, BB, BG, BH, BN, BR, BW, BY, BZ, CA, CH, CL, CN, CO, CR, CU, CZ, DE, DK, DM, DO, DZ, EC, EE, EG, ES, FI, GB, GD, GE, GH, GM, GT, HN, HR, HU, ID, IL, IN, IS, JP, KE, KG, KN, KP, KR, KZ, LA, LC, LK, LR, LS, LT, LU, LY, MA, MD, ME, MG, MK, MN, MW, MX, MY, MZ, NA, NG, NI, NO, NZ, OM, PA, PE, PG, PH, PL, PT, QA, RO, RS, RU, RW, SC, SD, SE, SG, SK, SL, SM, ST, SV, SY, TH, TJ, TM, TN, TR, TT, TZ, UA, UG, US, UZ, VC, VN, ZA, ZM, ZW.
- (84) Designated States (unless otherwise indicated, for every kind of regional protection available): ARIPO (BW, GH, GM, KE, LR, LS, MW, MZ, NA, RW, SD, SL, SZ, TZ, UG, ZM, ZW), Eurasian (AM, AZ, BY, KG, KZ, RU, TJ, TM), European (AL, AT, BE, BG, CH, CY, CZ, DE, DK, EE, ES, FI, FR, GB, GR, HR, HU, IE, IS, IT, LT, LU, LV, MC, MK, MT, NL, NO, PL, PT, RO, RS, SE, SI, SK, SM, TR), OAPI (BF, BJ, CF, CG, CI, CM, GA, GN, GQ, GW, KM, ML, MR, NE, SN, TD, TG).

Published:

— with international search report (Art. 21(3))

[Continued on next page]

(54) Title: PLANT FOR DRY CONVEYING OF SLAG AND / OR HETEROGENOUS MATERIALS

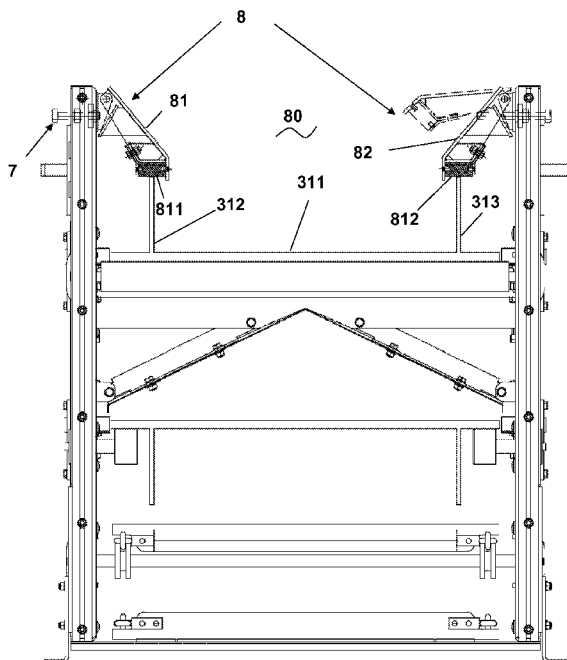


FIG. 2

(57) Abstract: A transport system for the transport of combustion waste, comprising: - a belt conveyor for transporting the waste, arranged at the bottom of a combustion chamber and apt to transport the waste onto a transport surface (311) movable along a longitudinal direction of advancement; and - side boards (81, 82) for containing the waste in a transport region (80), arranged above said transport surface, rotatably connected to a casing of the conveyor and bearing wearable members (811, 812) apt to establish a sliding seal with lateral fins (312, 313) of the movable transport surface of the conveyor belt, so that the transported material be confined in the transport region defined by said movable transport surface and by said boards bearing the wearable members.



— *before the expiration of the time limit for amending the claims and to be republished in the event of receipt of amendments (Rule 48.2(h))*

(88) Date of publication of the international search report:
1 May 2014

INTERNATIONAL SEARCH REPORT

International application No PCT/IB2013/055942

A. CLASSIFICATION OF SUBJECT MATTER INV. F23J1/02 B65G21/20 F27D15/02 ADD.				
According to International Patent Classification (IPC) or to both national classification and IPC				
B. FIELDS SEARCHED				
Minimum documentation searched (classification system followed by classification symbols) F23J B65G F23H F27D				
Documentation searched other than minimum documentation to the extent that such documents are included in the fields searched				
Electronic data base consulted during the international search (name of data base and, where practicable, search terms used) EPO-Internal, WPI Data				
C. DOCUMENTS CONSIDERED TO BE RELEVANT				
Category*	Citation of document, with indication, where appropriate, of the relevant passages	Relevant to claim No.		
X	EP 1 097 886 A1 (VOEGELE AG J [DE]) 9 May 2001 (2001-05-09) paragraph [0018]; figure 1a -----	19,20		
Y	WO 2008/142594 A2 (MAGALDI IND SRL [IT]; MAGALDI MARIO [IT]) 27 November 2008 (2008-11-27) page 6, lines 10-15 page 7, lines 4-10 page 7, lines 23-30 figures 4-6 -----	1-14		
Y	JP 2001 354316 A (TCM CORP) 25 December 2001 (2001-12-25) abstract -----	1-14		
----- -/--				
<input checked="" type="checkbox"/> Further documents are listed in the continuation of Box C. <input checked="" type="checkbox"/> See patent family annex.				
* Special categories of cited documents : <table style="width: 100%; border: none;"> <tr> <td style="width: 50%; border: none; vertical-align: top;"> "A" document defining the general state of the art which is not considered to be of particular relevance "E" earlier application or patent but published on or after the international filing date "L" document which may throw doubts on priority claim(s) or which is cited to establish the publication date of another citation or other special reason (as specified) "O" document referring to an oral disclosure, use, exhibition or other means "P" document published prior to the international filing date but later than the priority date claimed </td> <td style="width: 50%; border: none; vertical-align: top;"> "T" later document published after the international filing date or priority date and not in conflict with the application but cited to understand the principle or theory underlying the invention "X" document of particular relevance; the claimed invention cannot be considered novel or cannot be considered to involve an inventive step when the document is taken alone "Y" document of particular relevance; the claimed invention cannot be considered to involve an inventive step when the document is combined with one or more other such documents, such combination being obvious to a person skilled in the art "&" document member of the same patent family </td> </tr> </table>			"A" document defining the general state of the art which is not considered to be of particular relevance "E" earlier application or patent but published on or after the international filing date "L" document which may throw doubts on priority claim(s) or which is cited to establish the publication date of another citation or other special reason (as specified) "O" document referring to an oral disclosure, use, exhibition or other means "P" document published prior to the international filing date but later than the priority date claimed	"T" later document published after the international filing date or priority date and not in conflict with the application but cited to understand the principle or theory underlying the invention "X" document of particular relevance; the claimed invention cannot be considered novel or cannot be considered to involve an inventive step when the document is taken alone "Y" document of particular relevance; the claimed invention cannot be considered to involve an inventive step when the document is combined with one or more other such documents, such combination being obvious to a person skilled in the art "&" document member of the same patent family
"A" document defining the general state of the art which is not considered to be of particular relevance "E" earlier application or patent but published on or after the international filing date "L" document which may throw doubts on priority claim(s) or which is cited to establish the publication date of another citation or other special reason (as specified) "O" document referring to an oral disclosure, use, exhibition or other means "P" document published prior to the international filing date but later than the priority date claimed	"T" later document published after the international filing date or priority date and not in conflict with the application but cited to understand the principle or theory underlying the invention "X" document of particular relevance; the claimed invention cannot be considered novel or cannot be considered to involve an inventive step when the document is taken alone "Y" document of particular relevance; the claimed invention cannot be considered to involve an inventive step when the document is combined with one or more other such documents, such combination being obvious to a person skilled in the art "&" document member of the same patent family			
Date of the actual completion of the international search	Date of mailing of the international search report			
20 November 2013	17/03/2014			
Name and mailing address of the ISA/ European Patent Office, P.B. 5818 Patentlaan 2 NL - 2280 HV Rijswijk Tel. (+31-70) 340-2040, Fax: (+31-70) 340-3016	Authorized officer Coli, Enrico			

INTERNATIONAL SEARCH REPORT

International application No.
PCT/IB2013/055942

Box No. II Observations where certain claims were found unsearchable (Continuation of item 2 of first sheet)

This international search report has not been established in respect of certain claims under Article 17(2)(a) for the following reasons:

1. Claims Nos.:
because they relate to subject matter not required to be searched by this Authority, namely:

2. Claims Nos.:
because they relate to parts of the international application that do not comply with the prescribed requirements to such an extent that no meaningful international search can be carried out, specifically:

3. Claims Nos.:
because they are dependent claims and are not drafted in accordance with the second and third sentences of Rule 6.4(a).

Box No. III Observations where unity of invention is lacking (Continuation of item 3 of first sheet)

This International Searching Authority found multiple inventions in this international application, as follows:

see additional sheet

1. As all required additional search fees were timely paid by the applicant, this international search report covers all searchable claims.
2. As all searchable claims could be searched without effort justifying an additional fees, this Authority did not invite payment of additional fees.
3. As only some of the required additional search fees were timely paid by the applicant, this international search report covers only those claims for which fees were paid, specifically claims Nos.:
4. No required additional search fees were timely paid by the applicant. Consequently, this international search report is restricted to the invention first mentioned in the claims; it is covered by claims Nos.:

1-14, 19, 20

Remark on Protest

- The additional search fees were accompanied by the applicant's protest and, where applicable, the payment of a protest fee.
- The additional search fees were accompanied by the applicant's protest but the applicable protest fee was not paid within the time limit specified in the invitation.
- No protest accompanied the payment of additional search fees.

INTERNATIONAL SEARCH REPORT

International application No PCT/IB2013/055942

C(Continuation). DOCUMENTS CONSIDERED TO BE RELEVANT

Category*	Citation of document, with indication, where appropriate, of the relevant passages	Relevant to claim No.
A	GB 327 533 A (JOHN THOMPSON DUDLEY LTD; ALFRED ARTHUR ARNOLD) 10 April 1930 (1930-04-10) page 3, lines 94-109; figure 4 -----	1
A	DE 37 31 140 A1 (SEKIMIC JOSIP [YU]; SEKIMIC KRESIMIR DIPL ING [YU]) 24 March 1988 (1988-03-24) column 7, line 66 - column 8, line 3; figure 3 -----	1
A	EP 0 252 967 A1 (MAGALDI MARIO) 20 January 1988 (1988-01-20) cited in the application the whole document -----	1

FURTHER INFORMATION CONTINUED FROM PCT/ISA/ 210

This International Searching Authority found multiple (groups of) inventions in this international application, as follows:

1. claims: 1-14, 19, 20

Transport system for loose materials comprising a belt conveyor provided with containment means consisting of side boards and abutments members, said members abutting on longitudinally arranged, rising side walls.

Method for transporting loose materials using a transport system comprising a belt conveyor and longitudinally arranged, rising side boards, wherein the transported materials establishes a seal at said side boards.

2. claims: 15-18

Transport and cooling system for combustion waste comprising a belt conveyor provided with openings for the passage of cooling air.

INTERNATIONAL SEARCH REPORT

Information on patent family members

International application No PCT/IB2013/055942

Patent document cited in search report	Publication date	Patent family member(s)	Publication date	
EP 1097886	A1	09-05-2001	DE 29919242 U1 EP 1097886 A1	24-02-2000 09-05-2001

WO 2008142594	A2	27-11-2008	AU 2008252503 A1 CA 2687279 A1 EA 200901566 A1 EP 2156098 A2 JP 2010528249 A KR 20100029770 A US 2010206203 A1 WO 2008142594 A2	27-11-2008 27-11-2008 30-04-2010 24-02-2010 19-08-2010 17-03-2010 19-08-2010 27-11-2008

JP 2001354316	A	25-12-2001	NONE	

GB 327533	A	10-04-1930	NONE	

DE 3731140	A1	24-03-1988	CS 8706626 A2 DE 3731140 A1 PL 267800 A1 SU 1644726 A3 YU 161886 A	15-10-1991 24-03-1988 21-07-1988 23-04-1991 31-12-1988

EP 0252967	A1	20-01-1988	AU 600470 B2 AU 6890487 A EP 0252967 A1 IN 165533 A1 IT 1188247 B JP H0756375 B2 JP S63502212 A SU 1625337 A3 US RE34814 E US 4887539 A WO 8704231 A1	16-08-1990 28-07-1987 20-01-1988 04-11-1989 07-01-1988 14-06-1995 25-08-1988 30-01-1991 03-01-1995 19-12-1989 16-07-1987
