



US0D1044591S

(12) **United States Design Patent**
Storch

(10) **Patent No.:** **US D1,044,591 S**

(45) **Date of Patent:** **** Oct. 1, 2024**

- (54) **BUCKLE**
- (71) Applicant: **Birkenstock IP GmbH**, Linz am Rhein (DE)
- (72) Inventor: **Barbara Storch**, Vienna (AT)
- (73) Assignee: **Birkenstock IP GmbH**, Linz am Rhein (DE)
- (**) Term: **15 Years**

3,161,931 A *	12/1964	Zif	A44B 11/04	24/200
D356,658 S *	3/1995	Bernart	D2/624	
D445,723 S *	7/2001	Kim	D11/218	
D612,765 S *	3/2010	Fildan	D11/218	
D622,178 S *	8/2010	Kellegan	D11/201	
D666,525 S *	9/2012	Anderson	D11/210	
D701,110 S *	3/2014	Symons	D8/373	
D815,982 S *	4/2018	Chang	D11/208	
D863,101 S *	10/2019	Chang	D11/218	
D903,527 S *	12/2020	Spater	D11/218	

(Continued)

- (21) Appl. No.: **29/896,526**
- (22) Filed: **Jul. 5, 2023**

Related U.S. Application Data

- (62) Division of application No. 35/515,518, filed on Oct. 10, 2022 (U.S. filing date under 35 U.S.C. 384), and having an international filing date of Oct. 10, 2022, now Pat. No. Des. 1,011,004.

Foreign Application Priority Data

Apr. 11, 2022 (EM) 008931703-0019

- (51) **LOC (14) Cl.** **02-07**
- (52) **U.S. Cl.**

USPC **D11/218**

(58) **Field of Classification Search**

USPC D11/200, 202, 206, 210, 212, 216, 218; D30/151-153

CPC A44B 11/00; A44B 11/02; A44B 11/04; A44B 11/18; A44B 11/2557; A44B 13/0017; A44B 13/0023; A44B 13/0058; A44B 11/2519

See application file for complete search history.

(56) **References Cited**

U.S. PATENT DOCUMENTS

779,279 A *	1/1905	Hastings	A44B 11/04	24/321
1,860,170 A *	5/1932	Bronson	A44B 11/04	24/198

OTHER PUBLICATIONS

Sjzbin 4 Pcs 25mm Adjustable 25mm Aluminum Alloy G Hook Buckles, first available Apr. 25, 2022, amazon.com, [online], [site visited May 30, 2024], Available from the internet URL: <https://www.amazon.de/-/en/Adjustable-Aluminum-Buckles-Backpack-Luggage/dp/B09XV5CHYF> (Year: 2022).*

Primary Examiner — Catherine S Posthauer
Assistant Examiner — Amina Rahman
(74) *Attorney, Agent, or Firm* — Fross, Zelnick, Lehrman & Zissu, PC; Charles T. J. Weigell, Esq.

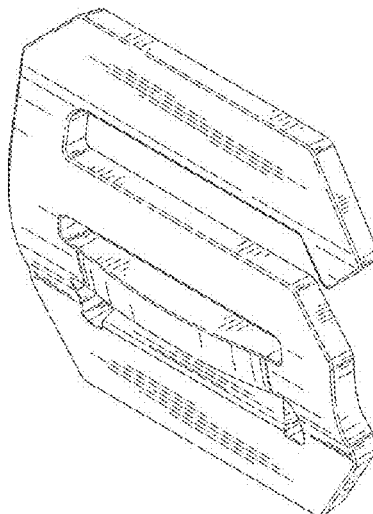
(57) **CLAIM**

The ornamental design for a buckle, as shown and described.

DESCRIPTION

FIG. 1 is a front perspective view of the buckle showing my new design;
FIG. 2 is a right side view thereof;
FIG. 3 is a bottom view thereof;
FIG. 4 is a left side view thereof;
FIG. 5 is a back view thereof;
FIG. 6 is a front view thereof; and,
FIG. 7 is a top view thereof.

1 Claim, 7 Drawing Sheets



(56)

References Cited

U.S. PATENT DOCUMENTS

D920,159	S	*	5/2021	Power, II	D11/218
D1,000,936	S	*	10/2023	Jimarez Howard	D30/153
D1,002,342	S	*	10/2023	Isler	D30/153
D1,013,573	S	*	2/2024	Chan	D11/218
D1,015,838	S	*	2/2024	Carlson	D8/40

* cited by examiner

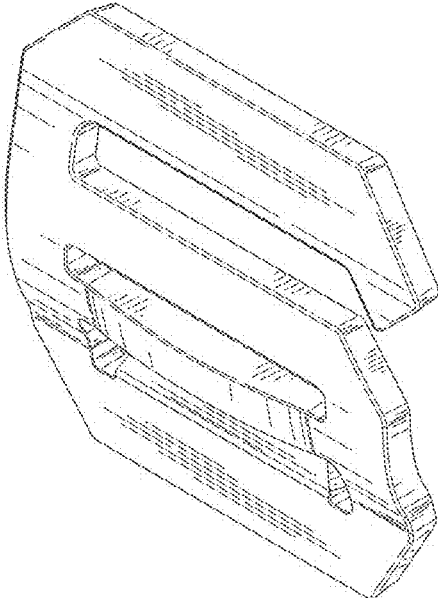


FIG. 1

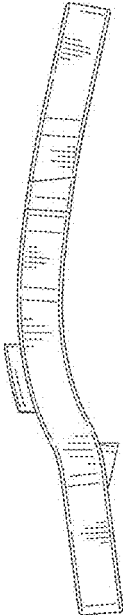


FIG. 2



FIG. 3



FIG. 4

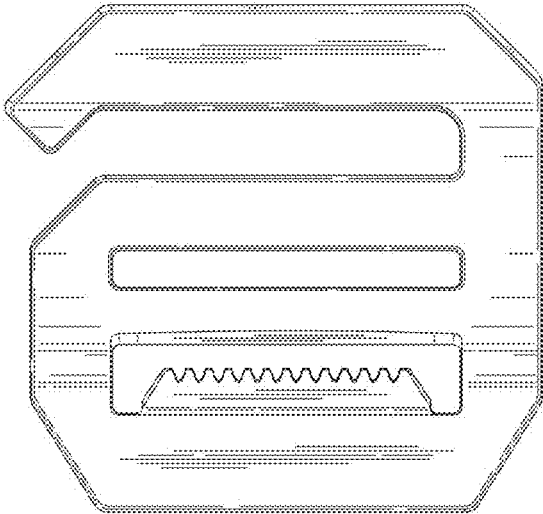


FIG. 5

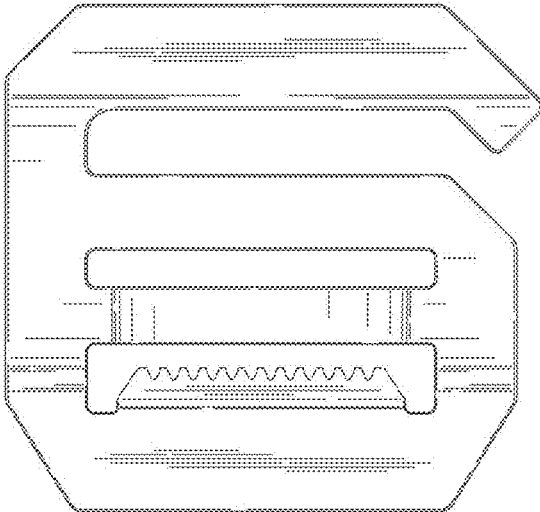


FIG. 6

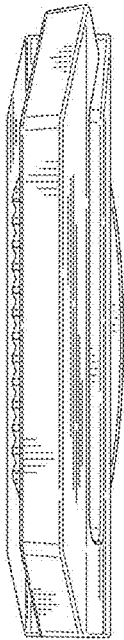


FIG. 7