

(19) World Intellectual Property Organization  
International Bureau



(43) International Publication Date  
4 October 2007 (04.10.2007)

PCT

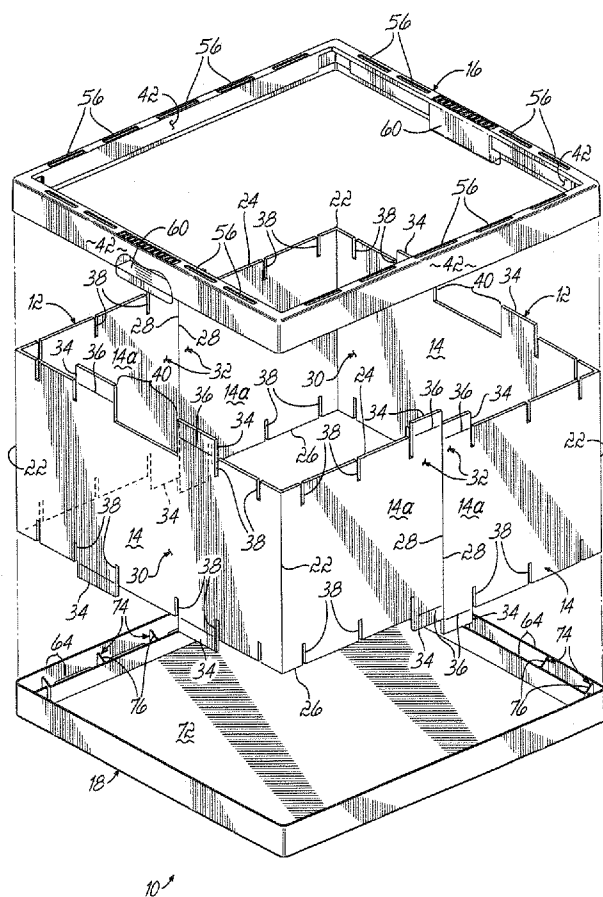
(10) International Publication Number  
WO 2007/112376 A3

- (51) International Patent Classification:  
*B65D 5/12* (2006.01)      *B65D 5/44* (2006.01)
- (21) International Application Number:  
PCT/US2007/064972
- (22) International Filing Date: 27 March 2007 (27.03.2007)
- (25) Filing Language: English
- (26) Publication Language: English
- (30) Priority Data:  
11/389,705      27 March 2006 (27.03.2006)      US
- (71) Applicant (for all designated States except US): **BRADFORD COMPANY** [US/US]; 13500 Quincy Street, P.O. Box 1199, Holland, MI 49422-1199 (US).
- (72) Inventors; and
- (75) Inventors/Applicants (for US only): **VROON, William, J.** [US/US]; 6978 Youngstown, Hudsonville, MI 49426 (US). **NYEBOER, Calvin, D.** [US/US]; 3580 N. 160th Avenue, Holland, MI 49424 (US).

- (74) Agents: **FREI, Donald, F.** et al.; Wood, Herron & Evans, L.L.P., 441 Vine Street, 2700 Carew Tower, Cincinnati, OH 45202 (US).
- (81) Designated States (unless otherwise indicated, for every kind of national protection available): AE, AG, AL, AM, AT, AU, AZ, BA, BB, BG, BH, BR, BW, BY, BZ, CA, CH, CN, CO, CR, CU, CZ, DE, DK, DM, DZ, EC, EE, EG, ES, FI, GB, GD, GE, GH, GM, GT, HN, HR, HU, ID, IL, IN, IS, JP, KE, KG, KM, KN, KP, KR, KZ, LA, LC, LK, LR, LS, LT, LU, LY, MA, MD, MG, MK, MN, MW, MX, MY, MZ, NA, NG, NI, NO, NZ, OM, PG, PH, PL, PT, RO, RS, RU, SC, SD, SE, SG, SK, SL, SM, SV, SY, TJ, TM, TN, TR, TT, TZ, UA, UG, US, UZ, VC, VN, ZA, ZM, ZW.
- (84) Designated States (unless otherwise indicated, for every kind of regional protection available): ARIPO (BW, GH, GM, KE, LS, MW, MZ, NA, SD, SL, SZ, TZ, UG, ZM, ZW), Eurasian (AM, AZ, BY, KG, KZ, MD, RU, TJ, TM), European (AT, BE, BG, CH, CY, CZ, DE, DK, EE, ES, FI, FR, GB, GR, HU, IE, IS, IT, LT, LU, LV, MC, MT, NL, PL, PT, RO, SE, SI, SK, TR), OAPI (BF, BJ, CF, CG, CI, CM, GA, GN, GQ, GW, ML, MR, NE, SN, TD, TG).

[Continued on next page]

(54) Title: STACKABLE MULTI-COMPONENT TOTE



(57) Abstract: A stackable tote (10) may be stacked with other identical or similar totes and/or existing, prior tote designs. The tote (10) is assembled from at least one box blank (12), a base (18) and a top rail (16). When folded into the appropriate shape, the box blank (12) results in the sidewalls (14) of the tote. To hold the erected box blank (12) in an assembled relationship and to reinforce the top and bottom edges of the tote (10), a channel shaped top rail (16) extends around the top edge of the tote (10) and the bottom edge of the sidewalls (14) is seated within a channel (64) in the base (18). The top rail (16) and base (18) are secured to the sidewalls (14) as the result of an inwardly extending hook (50, 70) in the associated channels (44, 64) which engages the folded tabs (34) of the sidewalls (14). One advantage of this invention is that a lightweight, stackable tote or container may be quickly and easily manufactured in a designed size or height. The tote of this invention may be stacked above or below the same or similar types of totes as well as existing tote designs.

WO 2007/112376 A3



**Published:**

- *with international search report*
- *before the expiration of the time limit for amending the claims and to be republished in the event of receipt of amendments*

**(88) Date of publication of the international search report:**  
4 September 2008

**INTERNATIONAL SEARCH REPORT**

International application No.

PCT/US07/64972

**A. CLASSIFICATION OF SUBJECT MATTER**  
 IPC: **B65D 5/12( 2006.01),5/44( 2006.01)**  
  
 USPC: 229/5.5,5.7,122.21,122.22,122.3,125.13,125.26,199  
 According to International Patent Classification (IPC) or to both national classification and IPC

**B. FIELDS SEARCHED**  
 Minimum documentation searched (classification system followed by classification symbols)  
 U.S. : 229/5.5,5.7,122.21,122.22,122.3,125.13,125.26,199  
  
 Documentation searched other than minimum documentation to the extent that such documents are included in the fields searched  
  
 Electronic data base consulted during the international search (name of data base and, where practicable, search terms used)

**C. DOCUMENTS CONSIDERED TO BE RELEVANT**

Category *	Citation of document, with indication, where appropriate, of the relevant passages	Relevant to claim No.
A	US 6,926,194 B2 (LANE) 09 August 2005 (09.08.2005).	1-33
A	US 6,592,025 B2 (BAZANY ET AL) 15 July 2003 (15.07.2003).	1-33
A	US 6,349,877 B1 (BRADFORD) 26 February 2002 (26.02.2002).	1-33

Further documents are listed in the continuation of Box C.       See patent family annex.

* Special categories of cited documents:	
"A" document defining the general state of the art which is not considered to be of particular relevance	"T" later document published after the international filing date or priority date and not in conflict with the application but cited to understand the principle or theory underlying the invention
"E" earlier application or patent published on or after the international filing date	"X" document of particular relevance; the claimed invention cannot be considered novel or cannot be considered to involve an inventive step when the document is taken alone
"L" document which may throw doubts on priority claim(s) or which is cited to establish the publication date of another citation or other special reason (as specified)	"Y" document of particular relevance; the claimed invention cannot be considered to involve an inventive step when the document is combined with one or more other such documents, such combination being obvious to a person skilled in the art
"O" document referring to an oral disclosure, use, exhibition or other means	
"P" document published prior to the international filing date but later than the priority date claimed	"&" document member of the same patent family

Date of the actual completion of the international search: 09 June 2008 (09.06.2008)  
 Date of mailing of the international search report: 03 JUL 2008

Name and mailing address of the ISA/US: Mail Stop PCT, Attn: ISA/US, Commissioner for Patents, P.O. Box 1450, Alexandria, Virginia 22313-1450, Facsimile No. (571) 273-3201  
 Authorized officer: Gary E. Elkins, Telephone No. (571)272-3750