



(12) **United States Design Patent**
Li

(10) **Patent No.:** **US D1,065,481 S**
(45) **Date of Patent:** **** Mar. 4, 2025**

(54) **AIR PURIFIER**

(71) Applicant: **SUZHOU ALTON ELECTRICAL & MECHANICAL INDUSTRY CO., LTD.,** Jiangsu (CN)

(72) Inventor: **Huipeng Li,** Jiangsu (CN)

(73) Assignee: **SUZHOU ALTON ELECTRICAL & MECHANICAL INDUSTRY CO., LTD.,** Jiangsu (CN)

(**) Term: **15 Years**

(21) Appl. No.: **29/841,005**

(22) Filed: **Jun. 2, 2022**

(51) **LOC (15) Cl.** **23-04**

(52) **U.S. Cl.**
USPC **D23/364**

(58) **Field of Classification Search**
USPC D23/332, 333, 335, 336, 342, 351, 352, D23/355-366, 369, 370, 371, 378, 381, D23/382, 385, 411, 412
CPC ... A61L 9/16; A61L 9/22; B03C 3/155; B03C 3/368; B01D 2221/02; B01D 2259/4508; B01D 47/00; B01D 47/027; F24F 3/16; F24F 13/20; F24F 13/28; F04D 25/084; F04D 25/0673; F04D 25/166; F04D 29/424

See application file for complete search history.

(56) **References Cited**

U.S. PATENT DOCUMENTS

D179,913 S * 3/1957 McNair D23/333
D300,848 S * 4/1989 Baker D23/365
D972,104 S * 12/2022 Wu D23/366
D998,768 S * 9/2023 He D23/335

D1,014,728 S * 2/2024 Wu D23/366
D1,017,788 S * 3/2024 Pinto de Almeida D23/359
2021/0178311 A1* 6/2021 Van Bergen B01D 46/429

FOREIGN PATENT DOCUMENTS

CN 307020887 * 7/2021
GB 6212271 * 6/2022

OTHER PUBLICATIONS

WEN 3410, posted Jul. 10, 2014 [online], [retrieved Apr. 16, 2024]. Retrieved from internet, https://www.amazon.com/dp/B00LPD9BDI?ref=cm_sw_r_cp_ud_dp_9TQZH0Y3VCQJHGG9QEIR&th=1 (Year: 2014).*

* cited by examiner

Primary Examiner — Keith J Wilson

Assistant Examiner — Carolyn W Davis

(74) *Attorney, Agent, or Firm* — ScienBiziP, P.C.

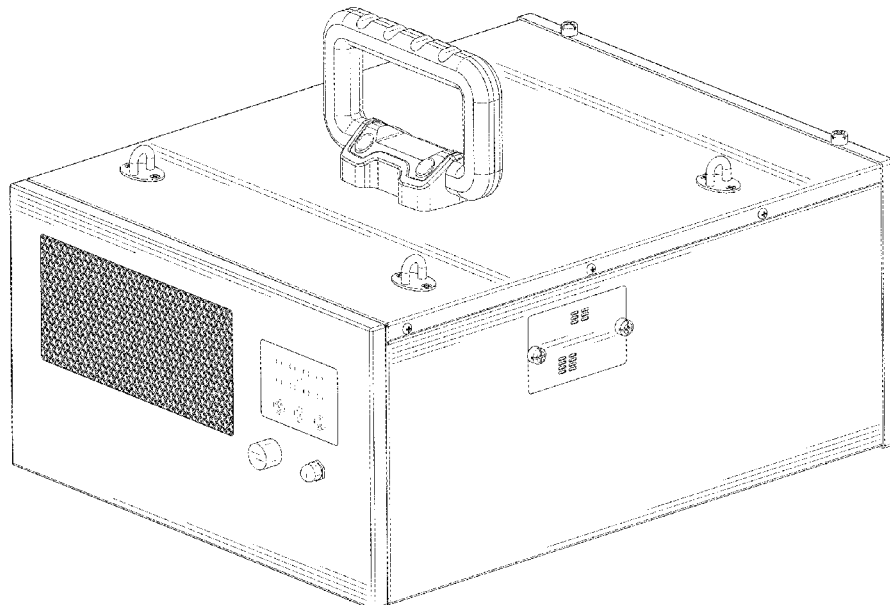
(57) **CLAIM**

The ornamental design for an air purifier as shown and described.

DESCRIPTION

FIG. 1 is a front, left and top perspective view of an air purifier, showing my design.
FIG. 2 is a rear, right and bottom perspective view thereof.
FIG. 3 is a front elevation view thereof.
FIG. 4 is a rear elevation view thereof.
FIG. 5 is a left side elevation view thereof.
FIG. 6 is a right side elevation view thereof.
FIG. 7 is a top plan view thereof; and,
FIG. 8 is a bottom plan view thereof.
The broken lines shown in the drawings are included for the purpose of illustrating portions of the air purifier that form no part of the claimed design.

1 Claim, 8 Drawing Sheets



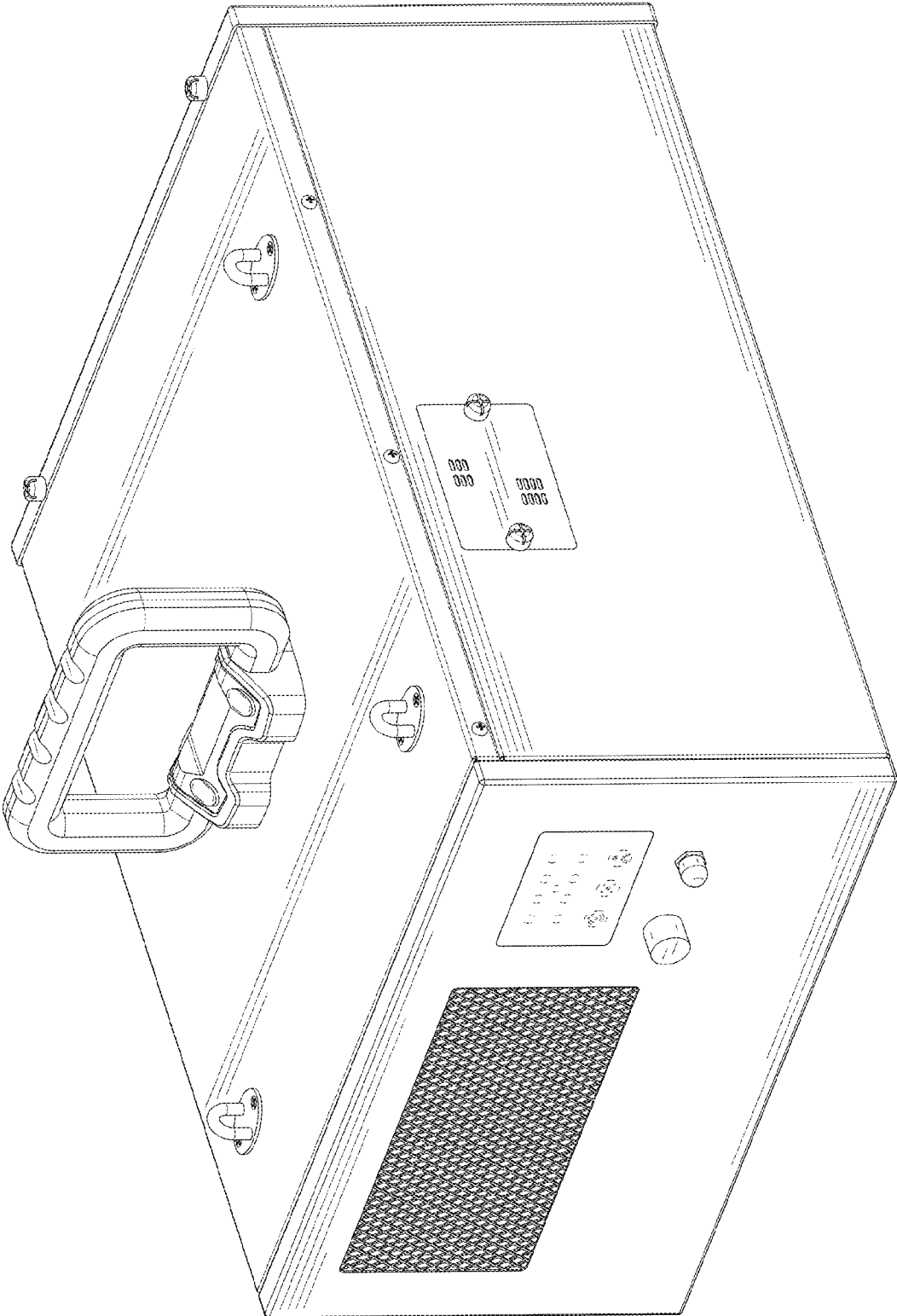


FIG. 1

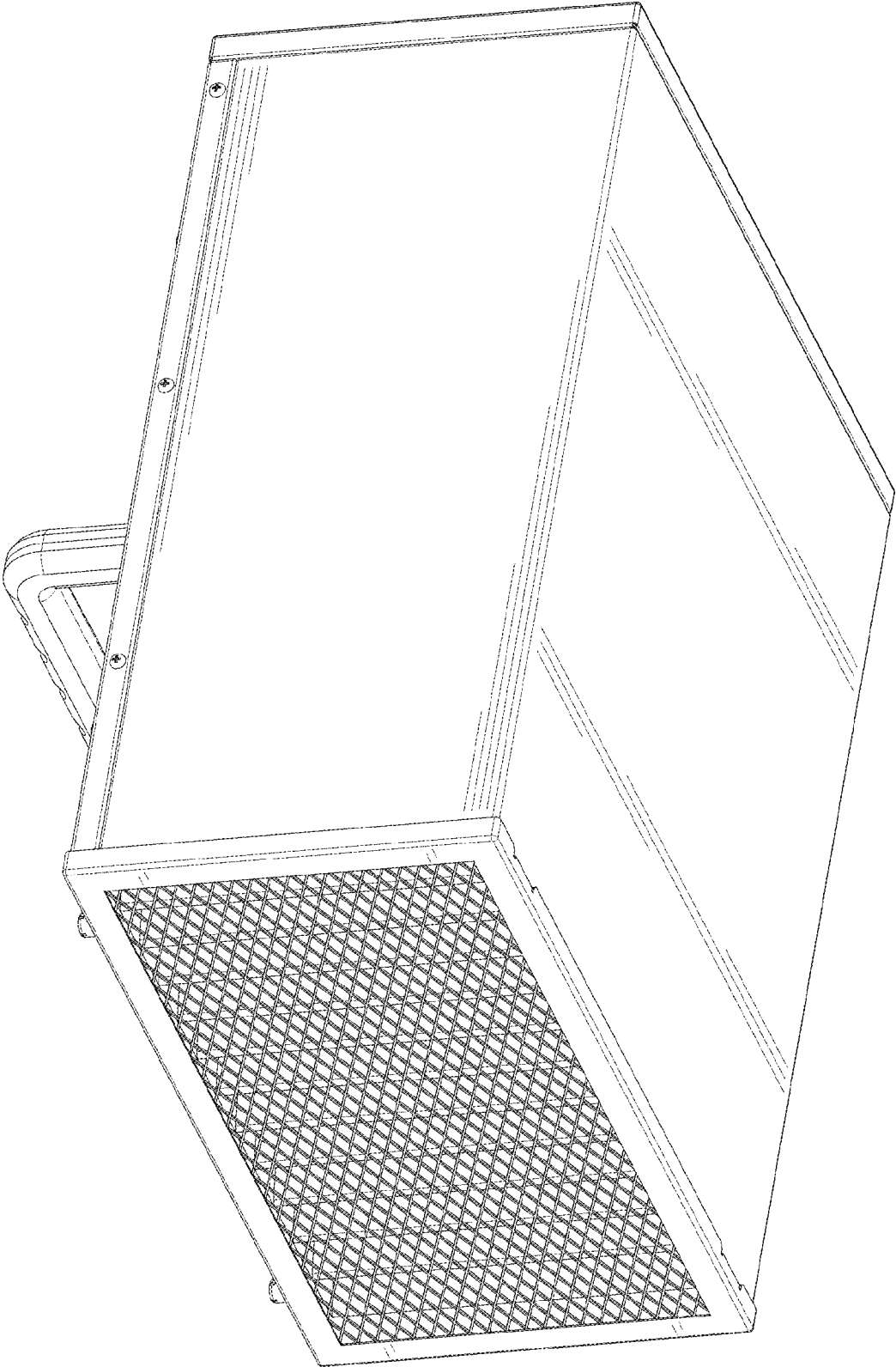


FIG. 2

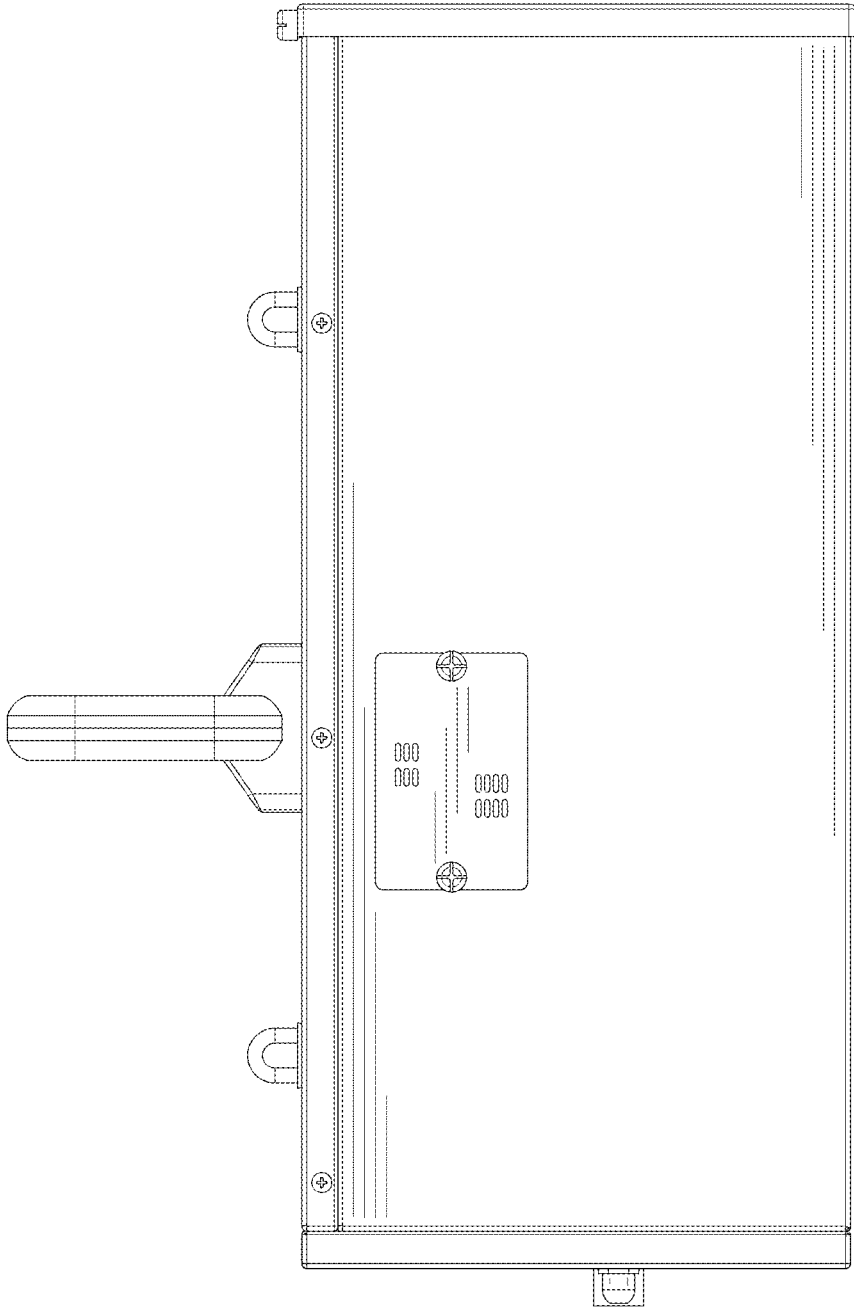


FIG. 3

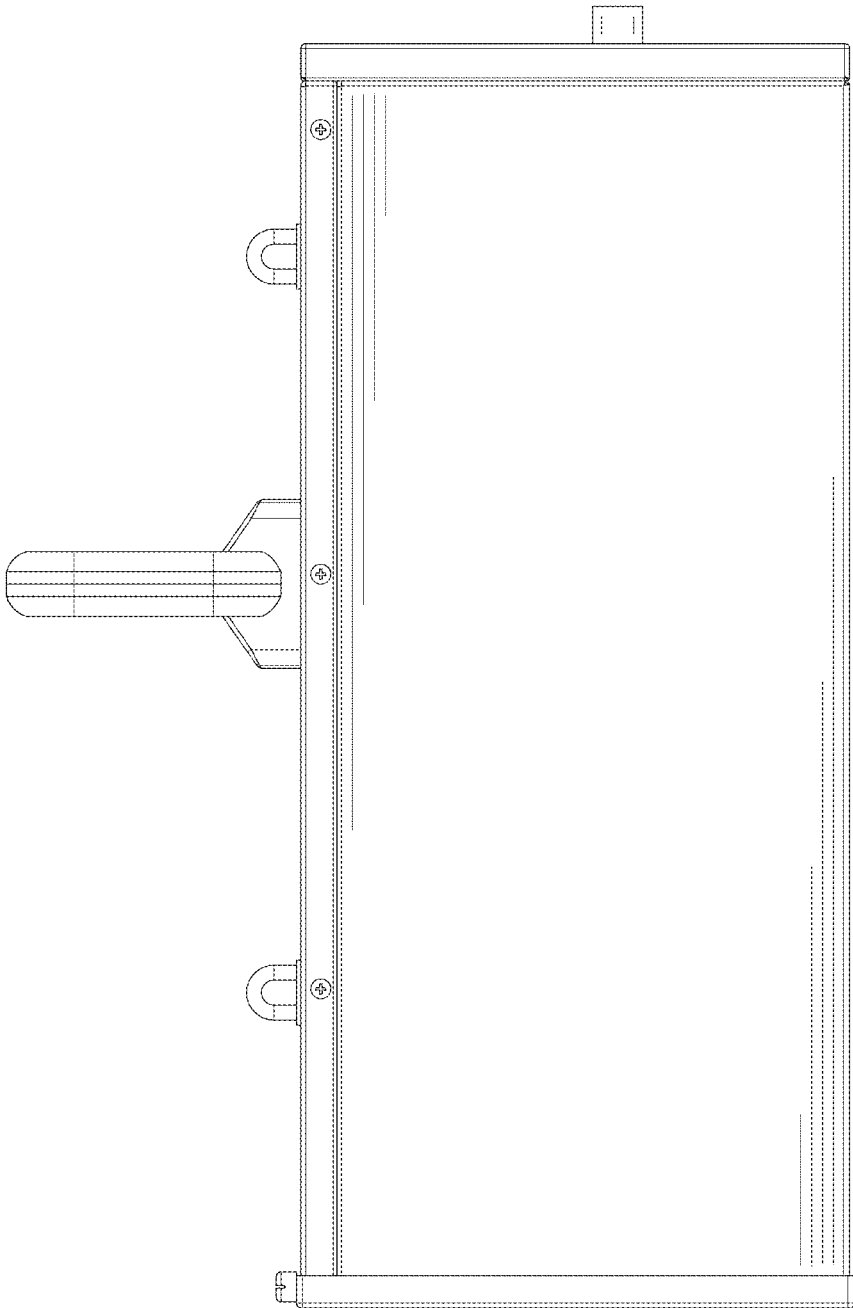


FIG. 4

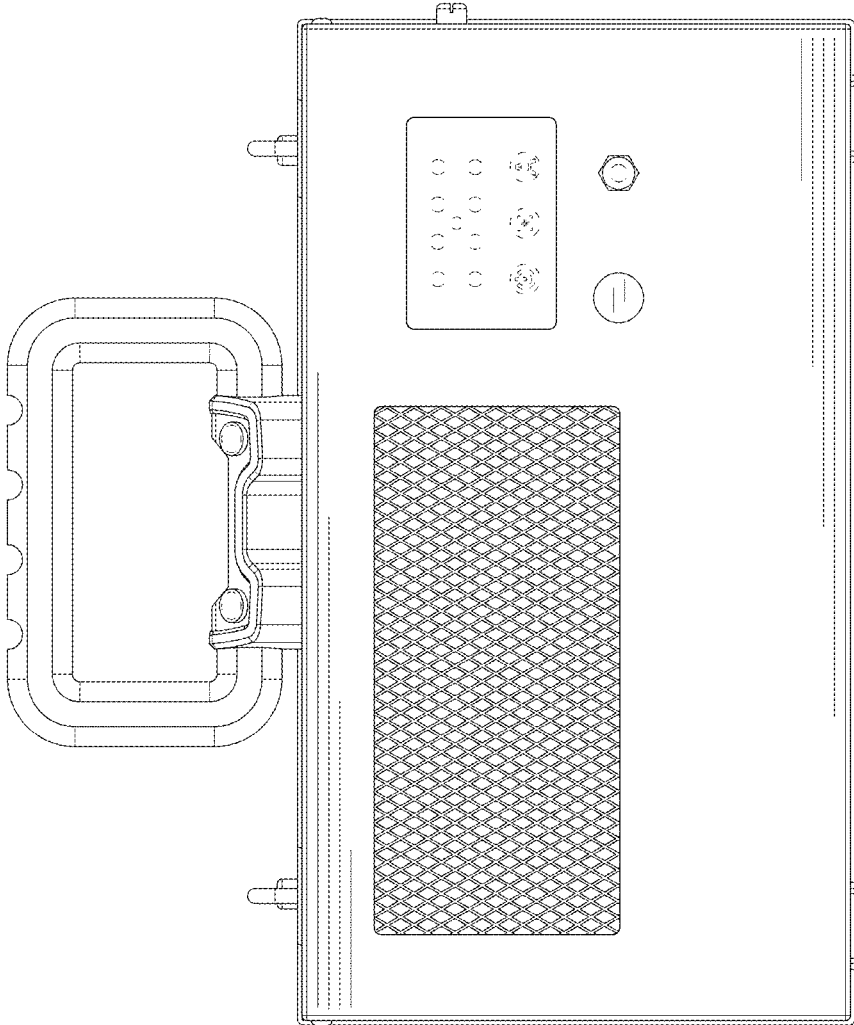


FIG. 5

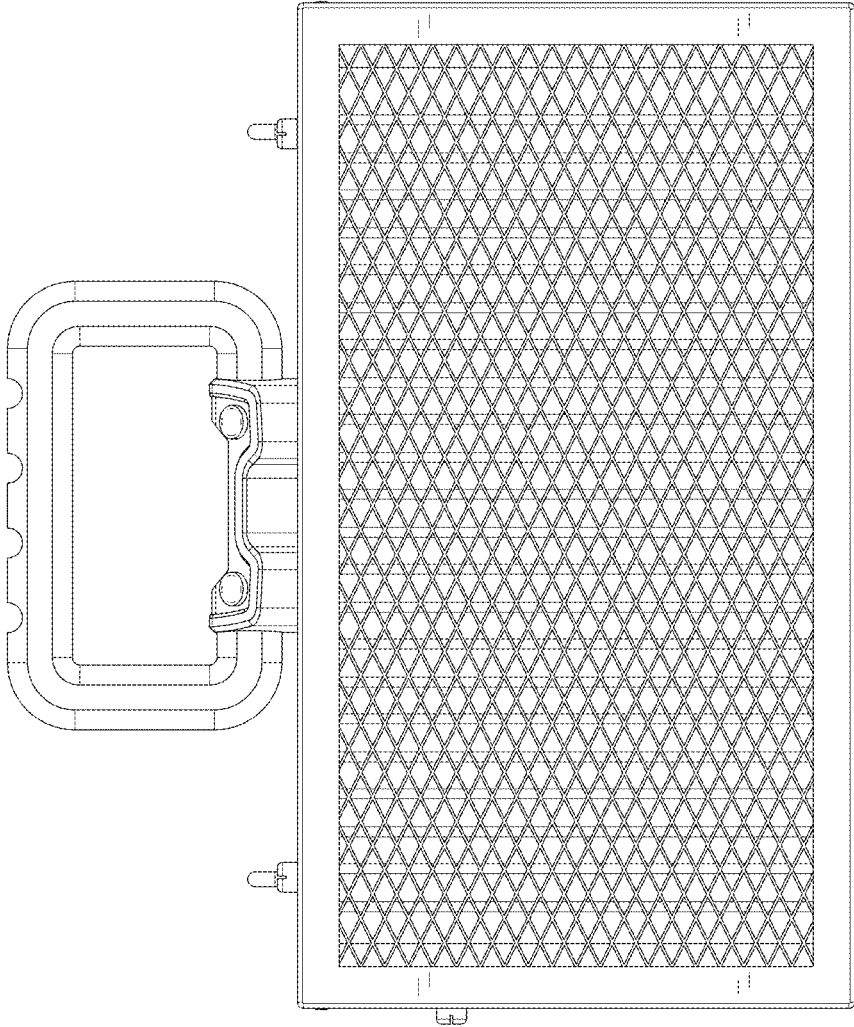


FIG. 6

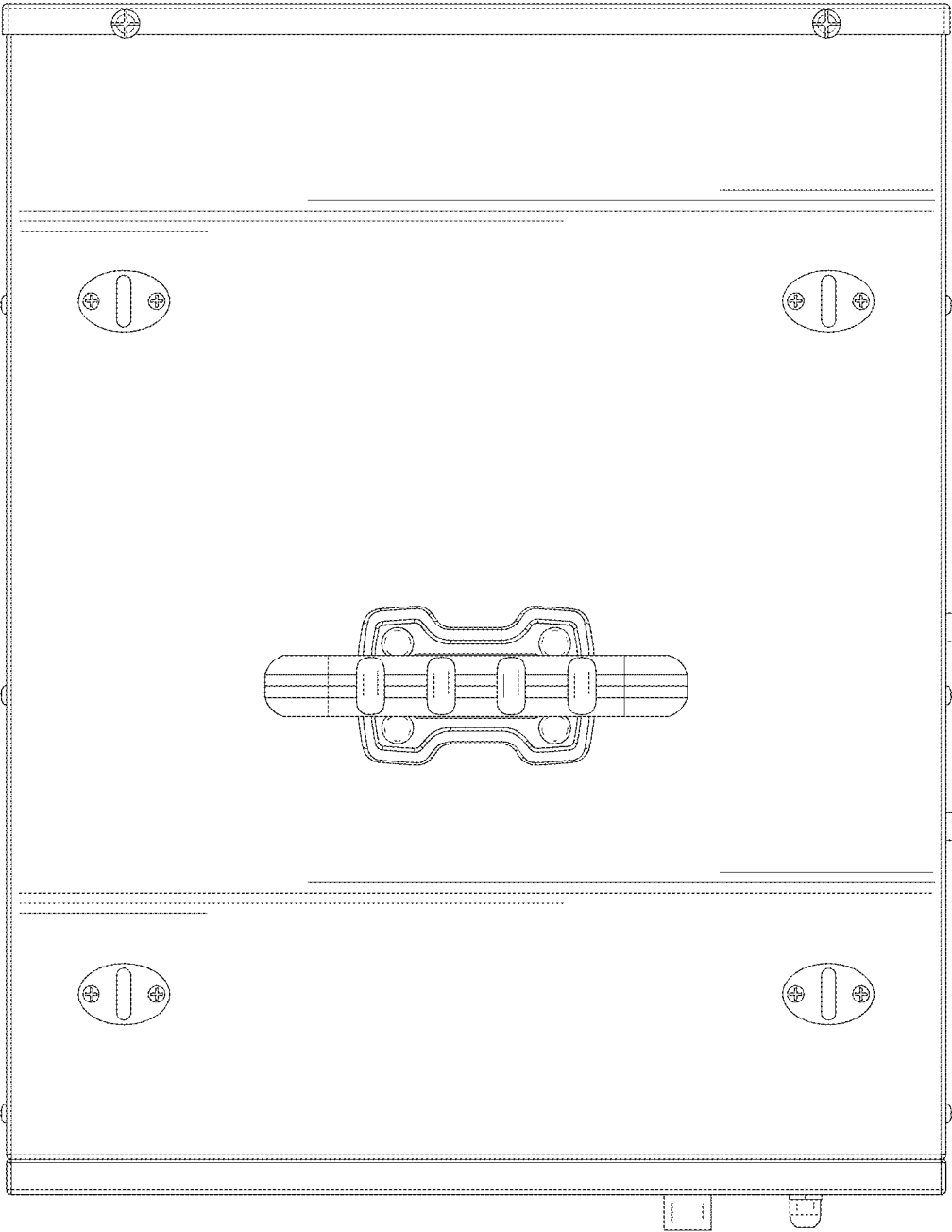


FIG. 7

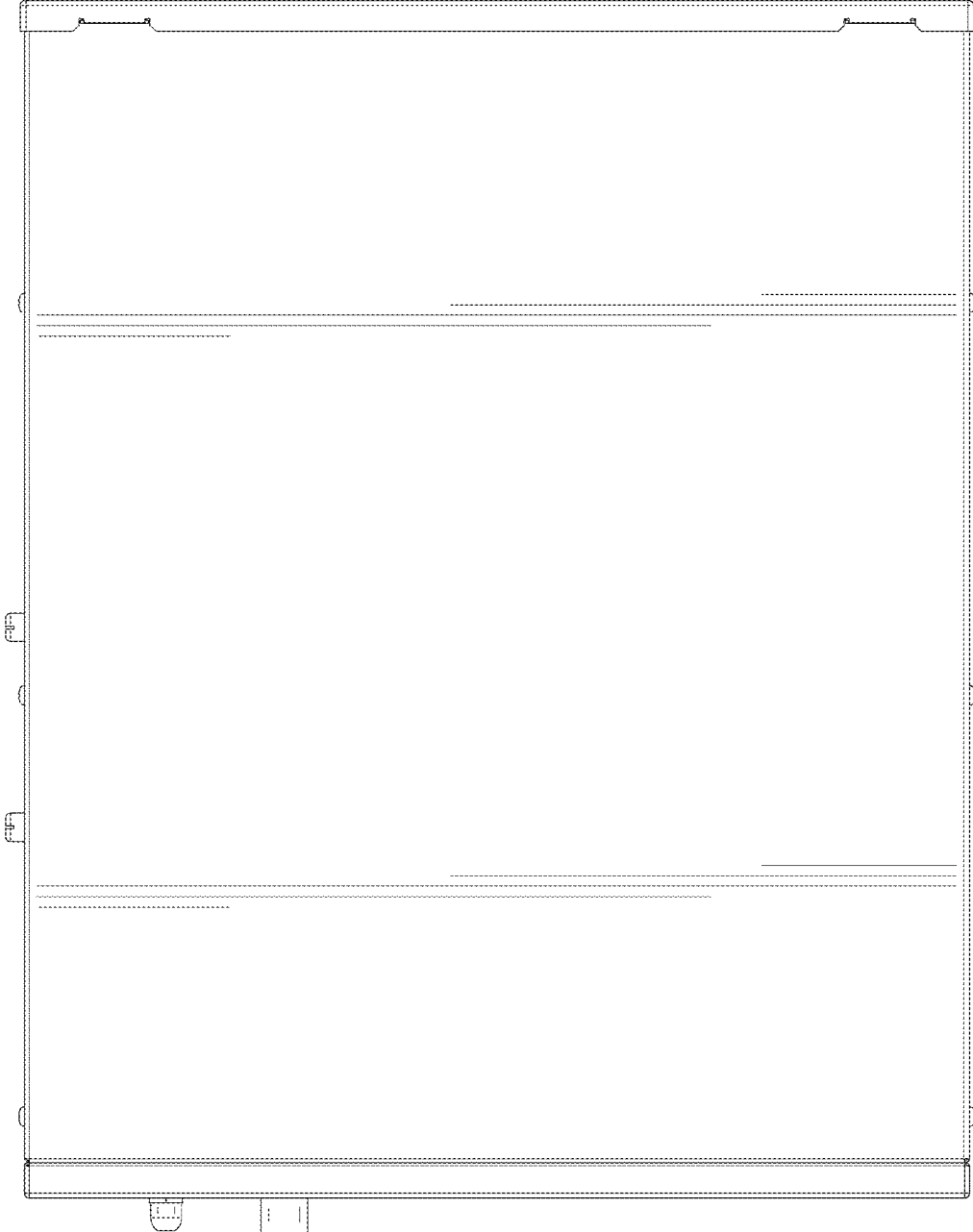


FIG. 8