

(19) World Intellectual Property Organization
International Bureau



(43) International Publication Date
9 August 2007 (09.08.2007)

PCT

(10) International Publication Number
WO 2007/089883 A3

- (51) International Patent Classification:
A61L 27/00 (2006.01) A61L 31/00 (2006.01)
A61L 29/00 (2006.01)
- (21) International Application Number:
PCT/US2007/002720
- (22) International Filing Date: 31 January 2007 (31.01.2007)
- (25) Filing Language: English
- (26) Publication Language: English
- (30) Priority Data:
60/764,229 31 January 2006 (31.01.2006) US
60/838,708 18 August 2006 (18.08.2006) US

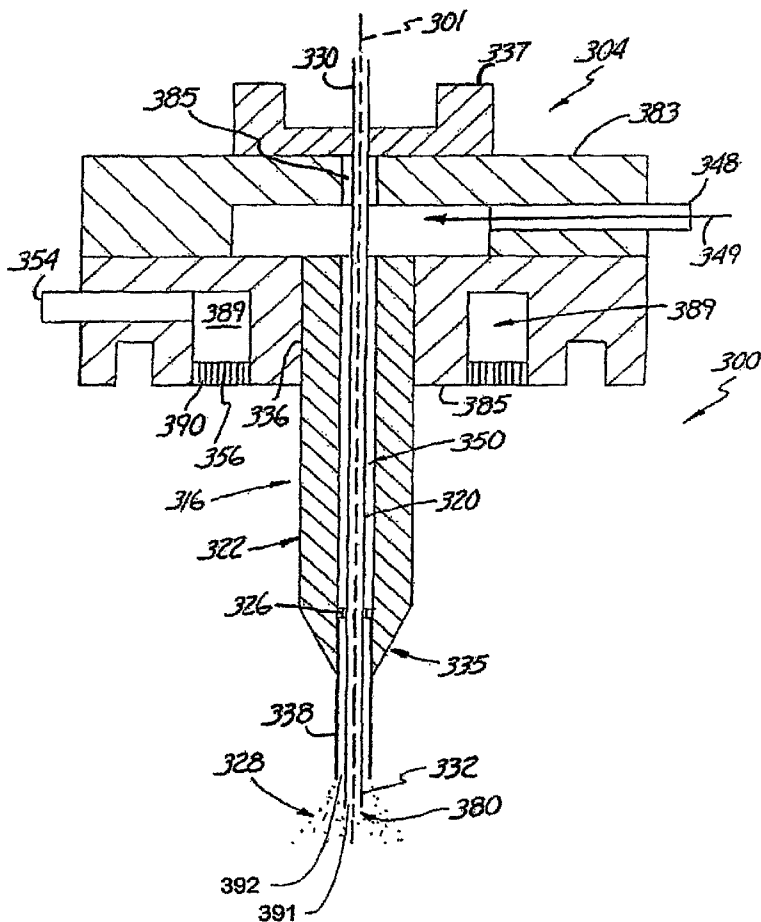
- (71) Applicants and
(72) Inventors: **HOERR, Robert A.** [US/US]; 4374 Reiland Lane, Shoreview, Minnesota 55126 (US). **CARLSON, John V.** [US/US]; 414 Rambling Creek Circle, St. Michael, Minnesota 55376 (US).
- (74) Agents: **CLISE, Timothy B.** et al.; Schwegman, Lundberg, Woessner, Kluth, PA, P.O. Box 2938, Minneapolis, Minnesota 55402 (US).
- (81) Designated States (unless otherwise indicated, for every kind of national protection available): AE, AG, AL, AM, AT, AU, AZ, BA, BB, BG, BR, BW, BY, BZ, CA, CH, CN, CO, CR, CU, CZ, DE, DK, DM, DZ, EC, EE, EG, ES, FI, GB, GD, GE, GH, GM, GT, HN, HR, HU, ID, IL, IN, IS, JP, KE, KG, KM, KN, KP, KR, KZ, LA, LC, LK, LR, LS, LT, LU, LV, LY, MA, MD, MG, MK, MN, MW, MX, MY, MZ, NA, NG, NI, NO, NZ, OM, PG, PH, PL, PT, RO, RS, RU, SC, SD, SE, SG, SK, SL, SM, SV, SY, TJ, TM, TN, TR, TT, TZ, UA, UG, US, UZ, VC, VN, ZA, ZM, ZW.
- (84) Designated States (unless otherwise indicated, for every kind of regional protection available): ARIPO (BW, GH,

(71) Applicant (for all designated States except US): **NANOCOPOEIA, INC.** [US/US]; 1246 West University Avenue, Suite 301, St. Paul, Minnesota 55104 (US).

(84) Designated States (unless otherwise indicated, for every kind of regional protection available): ARIPO (BW, GH,

[Continued on next page]

(54) Title: NANOPARTICLE COATING OF SURFACES



(57) Abstract: A nanoparticle coated hydrogel may be formed by a method of electro spraying nanoparticles on to a hydrogel surface includes providing a drug and polymer combination in solvent to an inner capillary of a coaxial capillary spray nozzle. A coating with a drug that releases over time may be provided. Open and closed matrixes may be selectively formed to help modify time release periods.

WO 2007/089883 A3



GM, KE, LS, MW, MZ, NA, SD, SL, SZ, TZ, UG, ZM, ZW), Eurasian (AM, AZ, BY, KG, KZ, MD, RU, TJ, TM), European (AT, BE, BG, CH, CY, CZ, DE, DK, EE, ES, FI, FR, GB, GR, HU, IE, IS, IT, LT, LU, LV, MC, NL, PL, PT, RO, SE, SI, SK, TR), OAPI (BF, BJ, CF, CG, CI, CM, GA, GN, GQ, GW, ML, MR, NE, SN, TD, TG).

Published:

— *with international search report*

(88) Date of publication of the international search report:

15 November 2007

For two-letter codes and other abbreviations, refer to the "Guidance Notes on Codes and Abbreviations" appearing at the beginning of each regular issue of the PCT Gazette.

INTERNATIONAL SEARCH REPORT

International application No PCT/US2007/002720
--

A. CLASSIFICATION OF SUBJECT MATTER
INV. A61L27/00 A61L29/00 A61L31/00

According to International Patent Classification (IPC) or to both national classification and IPC

B. FIELDS SEARCHED
 Minimum documentation searched (classification system followed by classification symbols)
B05D

Documentation searched other than minimum documentation to the extent that such documents are included in the fields searched

Electronic data base consulted during the international search (name of data base and, where practical, search terms used)
EPO-Internal, WPI Data

C. DOCUMENTS CONSIDERED TO BE RELEVANT

Category*	Citation of document, with indication, where appropriate, of the relevant passages	Relevant to claim No.
X	US 2003/143315 A1 (PUI DAVID Y H [US] ET AL) 31 July 2003 (2003-07-31) cited in the application paragraphs [0060], [0061], [0068]; claims	1-34
X	US 2002/007869 A1 (PUI DAVID Y H [US] ET AL) 24 January 2002 (2002-01-24) cited in the application paragraphs [0004], [0010]; claims	1-34
X	US 5 873 523 A (GOMEZ ALESSANDRO [US] ET AL) 23 February 1999 (1999-02-23) column 13, line 21 - line 40; claims	1-34
	----- -/--	

Further documents are listed in the continuation of Box C. See patent family annex.

* Special categories of cited documents :

A document defining the general state of the art which is not considered to be of particular relevance	*T* later document published after the international filing date or priority date and not in conflict with the application but cited to understand the principle or theory underlying the invention
E earlier document but published on or after the international filing date	*X* document of particular relevance; the claimed invention cannot be considered novel or cannot be considered to involve an inventive step when the document is taken alone
L document which may throw doubts on priority claim(s) or which is cited to establish the publication date of another citation or other special reason (as specified)	*Y* document of particular relevance; the claimed invention cannot be considered to involve an inventive step when the document is combined with one or more other such documents, such combination being obvious to a person skilled in the art.
O document referring to an oral disclosure, use, exhibition or other means	*Z* document member of the same patent family
P document published prior to the international filing date but later than the priority date claimed	

Date of the actual completion of the international search 9 August 2007	Date of mailing of the international search report 24/08/2007
---	---

Name and mailing address of the ISA/ European Patent Office, P.B. 5818 Patentlaan 2 NL - 2280 HV Rijswijk Tel. (+31-70) 340-2040, Tx. 31 651 epo nl, Fax: (+31-70) 340-3016	Authorized officer Slombrouck, Igor
---	---

INTERNATIONAL SEARCH REPORT

International application No
PCT/US2007/002720

C(Continuation). DOCUMENTS CONSIDERED TO BE RELEVANT		
Category*	Citation of document, with indication, where appropriate, of the relevant passages	Relevant to claim No.
X	WO 2005/074913 A (ANGIOTECH INTERNAT AG [CH]; AVELAR RUI [CA]; LIGGINS RICHARD T [CA]; T) 18 August 2005 (2005-08-18) page 117 page 126 - page 127 example 6	1-34
A	US 2002/065553 A1 (WEBER JAN [IE]) 30 May 2002 (2002-05-30) paragraphs [0034], [0035]	1,7,22, 32

INTERNATIONAL SEARCH REPORT

Information on patent family members

International application No PCT/US2007/002720

Patent document cited in search report	A1	Publication date	Patent family member(s)	Publication date
US 2003143315	A1	31-07-2003	NONE	
US 2002007869	A1	24-01-2002	US 2004241315	A1 02-12-2004
US 5873523	A	23-02-1999	NONE	
WO 2005074913	A	18-08-2005	AU 2005210668	A1 18-08-2005
			CA 2536096	A1 18-08-2005
			CN 1897930	A 17-01-2007
			EP 1708694	A2 11-10-2006
US 2002065553	A1	30-05-2002	AU 3649102	A 11-06-2002
			CA 2430126	A1 06-06-2002
			DE 60114044	D1 17-11-2005
			DE 60114044	T2 11-05-2006
			EP 1341479	A2 10-09-2003
			JP 2004520872	T 15-07-2004
			WO 0243619	A2 06-06-2002
			US 6517888	B1 11-02-2003