



US0D1069171S

(12) **United States Design Patent**  
**Zhai**

(10) **Patent No.:** **US D1,069,171 S**

(45) **Date of Patent:** **\*\* Apr. 1, 2025**

(54) **STORAGE SHED**

(71) Applicant: **Jingning Meige Technology Service Co., Ltd., Zhejiang (CN)**

(72) Inventor: **Yifan Zhai, Hubei (CN)**

(73) Assignee: **Jingning Meige Technology Service Co., Ltd., Zhejiang (CN)**

(\*\*) Term: **15 Years**

(21) Appl. No.: **29/967,178**

(22) Filed: **Oct. 9, 2024**

(51) **LOC (15) Cl.** ..... **25-03**

(52) **U.S. Cl.**  
USPC ..... **D25/33**

(58) **Field of Classification Search**  
USPC ..... D25/33, 58, 59, 16, 32, 22; D6/671.1, D6/667  
CPC ..... E04H 1/12; E04H 1/1205; E04H 6/02  
See application file for complete search history.

(56) **References Cited**

**U.S. PATENT DOCUMENTS**

3,987,597	A *	10/1976	Smrt	.....	E04B 2/56 52/63
D489,461	S	5/2004	Ohanesian	.....	
D505,497	S *	5/2005	Astle	.....	D25/59
D506,266	S *	6/2005	Astle	.....	D25/59
D527,112	S	8/2006	Reisman	.....	
D548,362	S *	8/2007	Ashby	.....	D25/33
D558,893	S *	1/2008	Grosfillex	.....	D25/33
7,770,334	B2 *	8/2010	Mower	.....	E04H 1/1205 52/79.6
D734,494	S *	7/2015	Steiner	.....	D25/33
D797,306	S *	9/2017	Ohanesian	.....	D25/33
D932,054	S *	9/2021	Askof	.....	D25/33
D955,605	S *	6/2022	Simonetti	.....	D6/671.1
D958,408	S *	7/2022	Ohanesian	.....	D25/33
D983,409	S *	4/2023	Shen	.....	D25/33
D1,036,701	S *	7/2024	Wang	.....	D25/17

D1,038,438	S *	8/2024	Wang	.....	D25/33
D1,038,439	S *	8/2024	Wang	.....	D25/17
D1,038,440	S *	8/2024	Jing	.....	D25/33
D1,038,441	S *	8/2024	Jing	.....	D25/33

(Continued)

**OTHER PUBLICATIONS**

Keter Manor 4x6 Resin Shed, 2018 (Review date), Amazon.com, <https://www.amazon.com/Keter-Outdoor-Backyard-Garden-Storage/dp/B009T7HHGA/> (Year: 2018).\*

*Primary Examiner* — Brett Miller

(74) *Attorney, Agent, or Firm* — Bartholomew Law PC; Michael Bartholomew

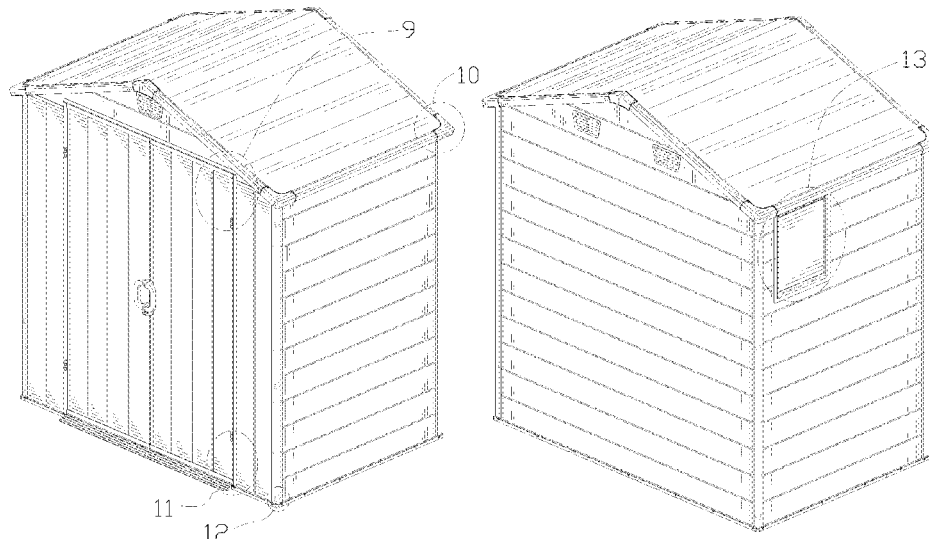
(57) **CLAIM**

The ornamental design for a storage shed as shown and described.

**DESCRIPTION**

FIG. 1 is a front, right and top perspective view of a first embodiment of a storage shed, showing my design.  
 FIG. 2 is a rear, left and top perspective view thereof.  
 FIG. 3 is a front elevation view thereof.  
 FIG. 4 is a rear elevation view thereof.  
 FIG. 5 is a left side elevation view thereof.  
 FIG. 6 is a right side elevation view thereof.  
 FIG. 7 is a top plan view thereof.  
 FIG. 8 is a bottom plan view thereof.  
 FIG. 9 is an enlarged view of detail 9 in FIG. 1.  
 FIG. 10 is an enlarged view of detail 10 in FIG. 1.  
 FIG. 11 is an enlarged view of detail 11 in FIG. 1.  
 FIG. 12 is an enlarged view of detail 12 in FIG. 1; and,  
 FIG. 13 is an enlarged view of detail 13 in FIG. 2.  
 The dashed broken lines depict portions of the storage shed that form no part of the claimed design.  
 The dot-dash broken lines in FIGS. 1, 2, and 9-13 depict the boundaries of the enlargements and form no part of the claimed design.

**1 Claim, 13 Drawing Sheets**



(56)

**References Cited**

U.S. PATENT DOCUMENTS

D1,039,173 S *	8/2024	Anderson .....	D25/1
D1,039,175 S *	8/2024	Jing .....	D25/33
D1,047,433 S *	10/2024	Zhai .....	D3/294

\* cited by examiner

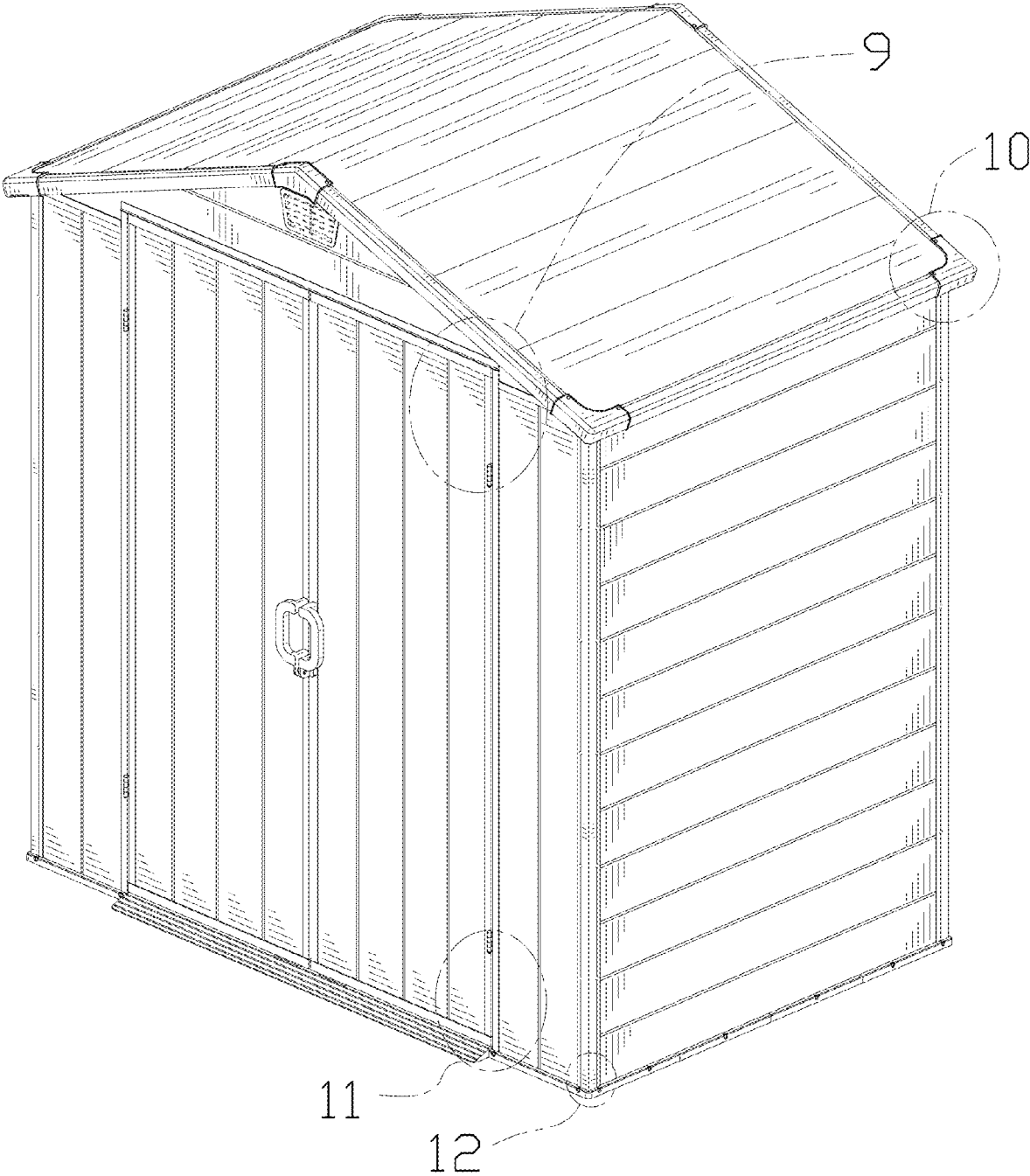


FIG. 1

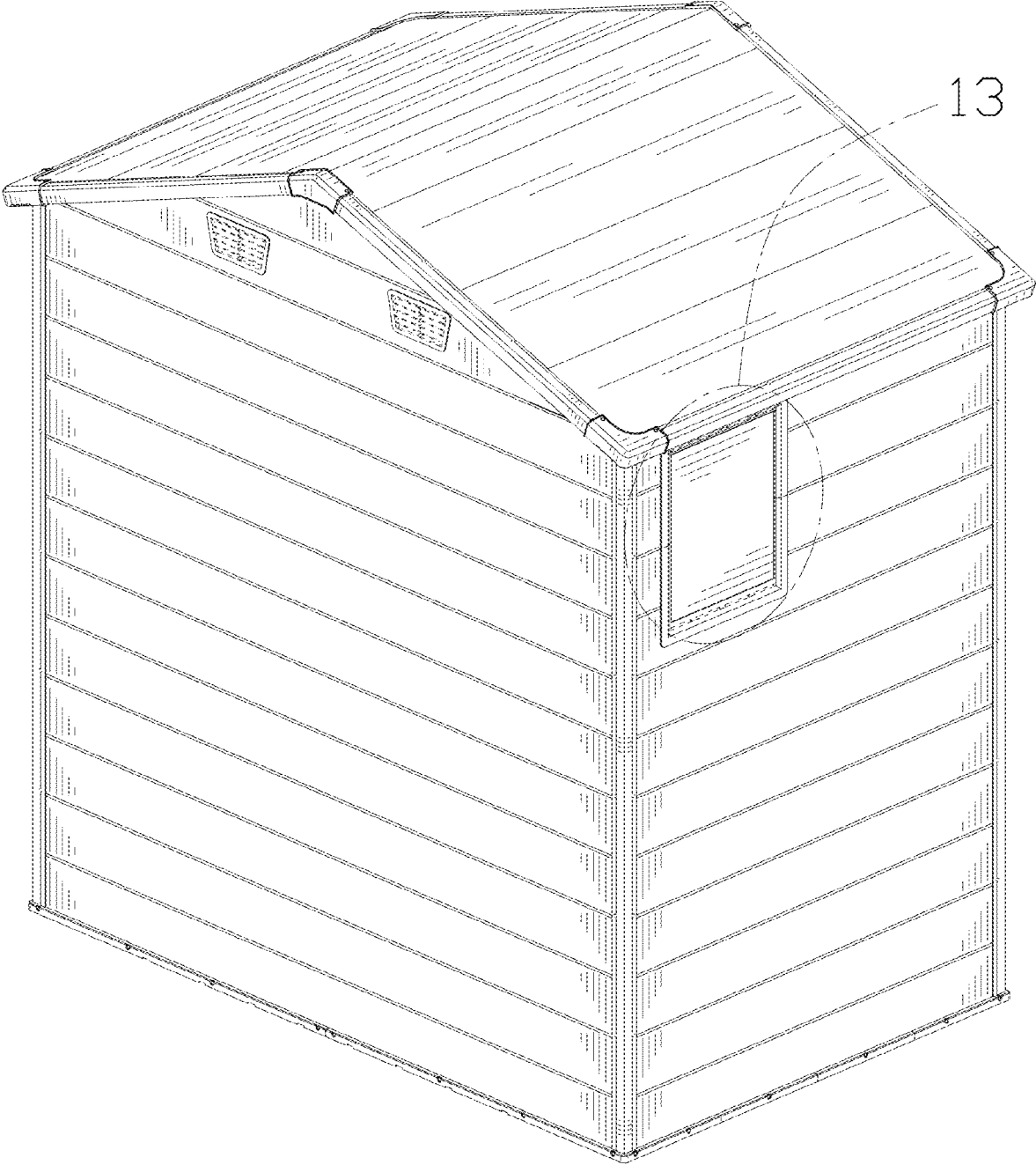


FIG. 2

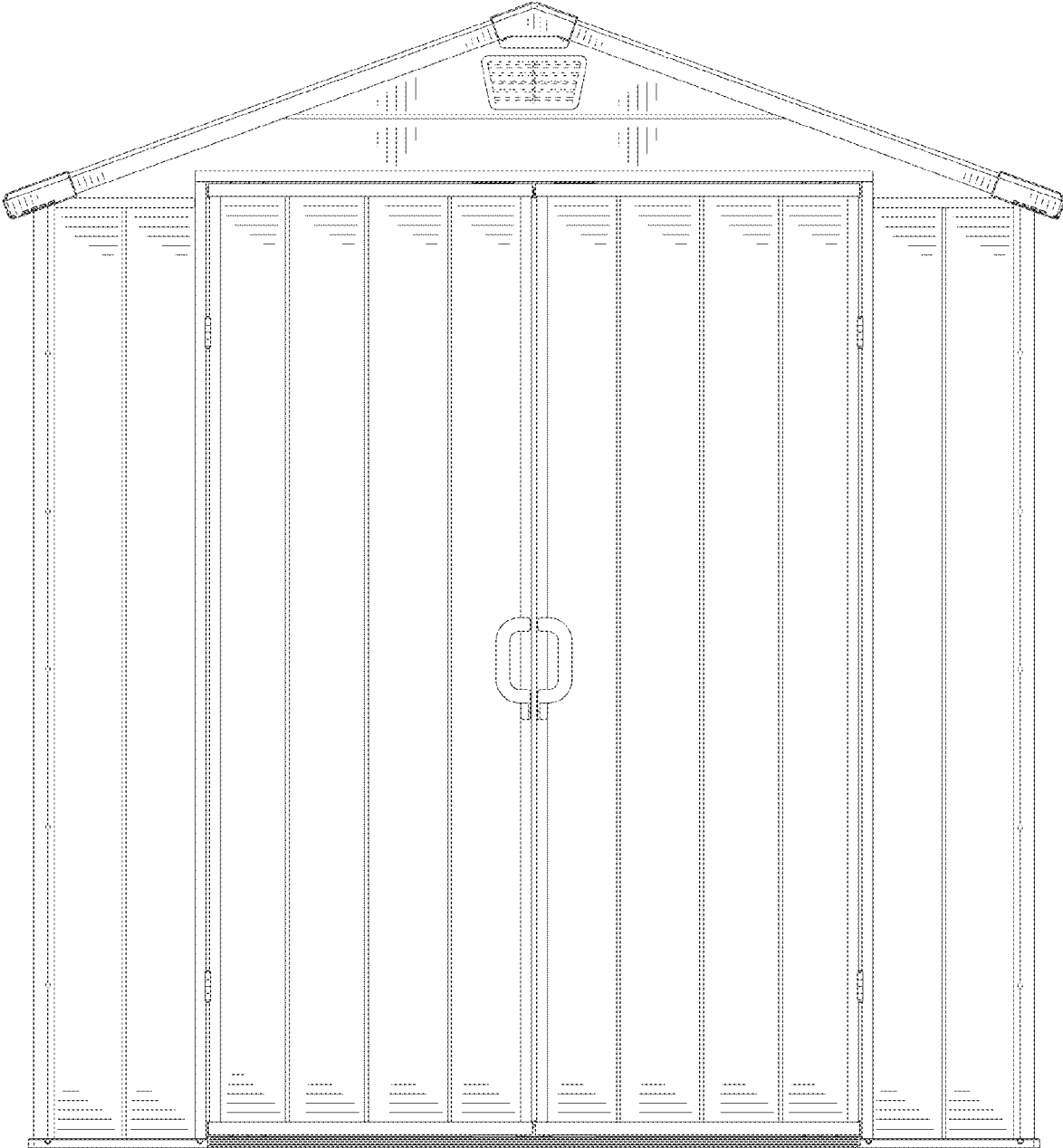


FIG. 3

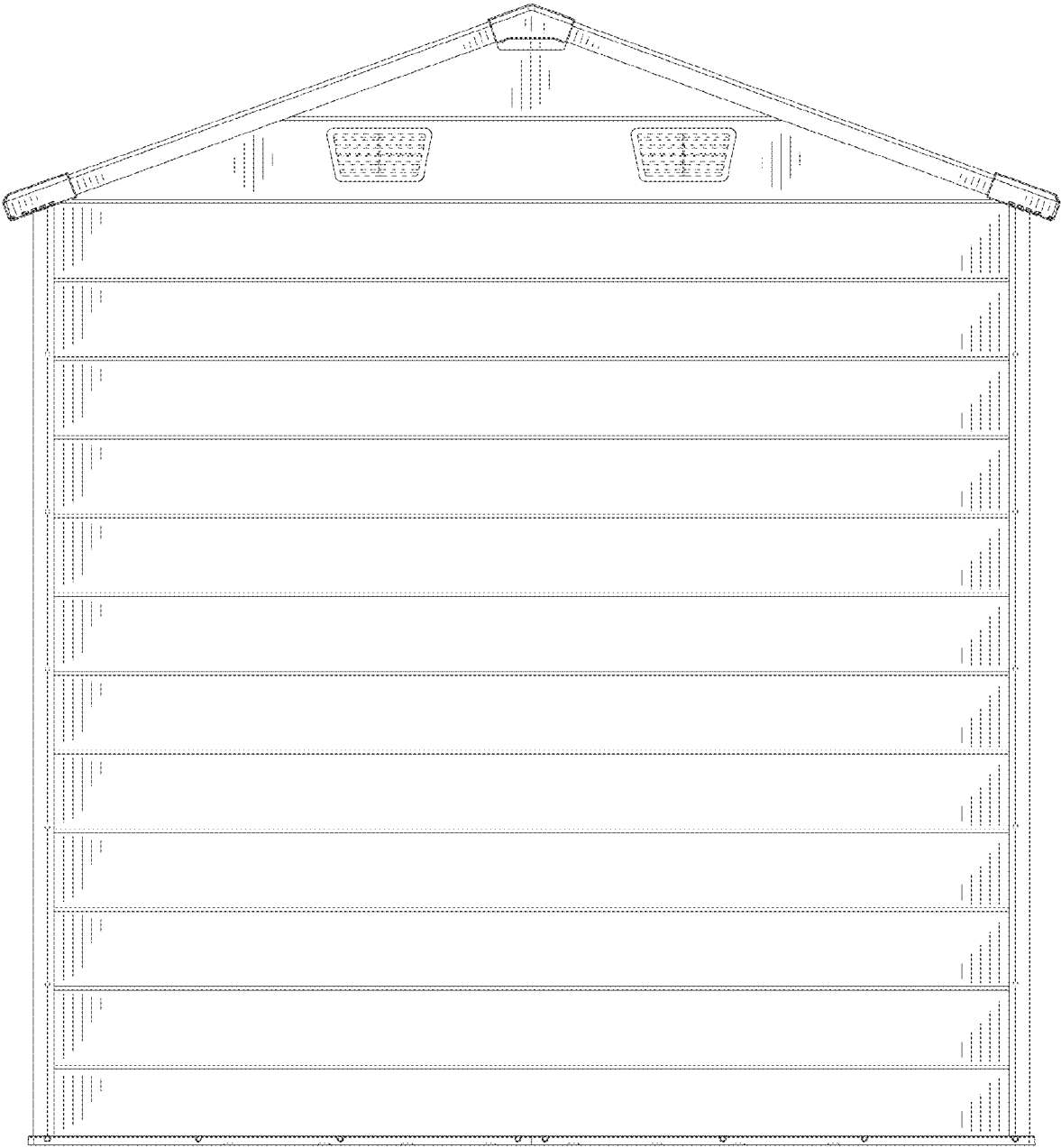


FIG. 4

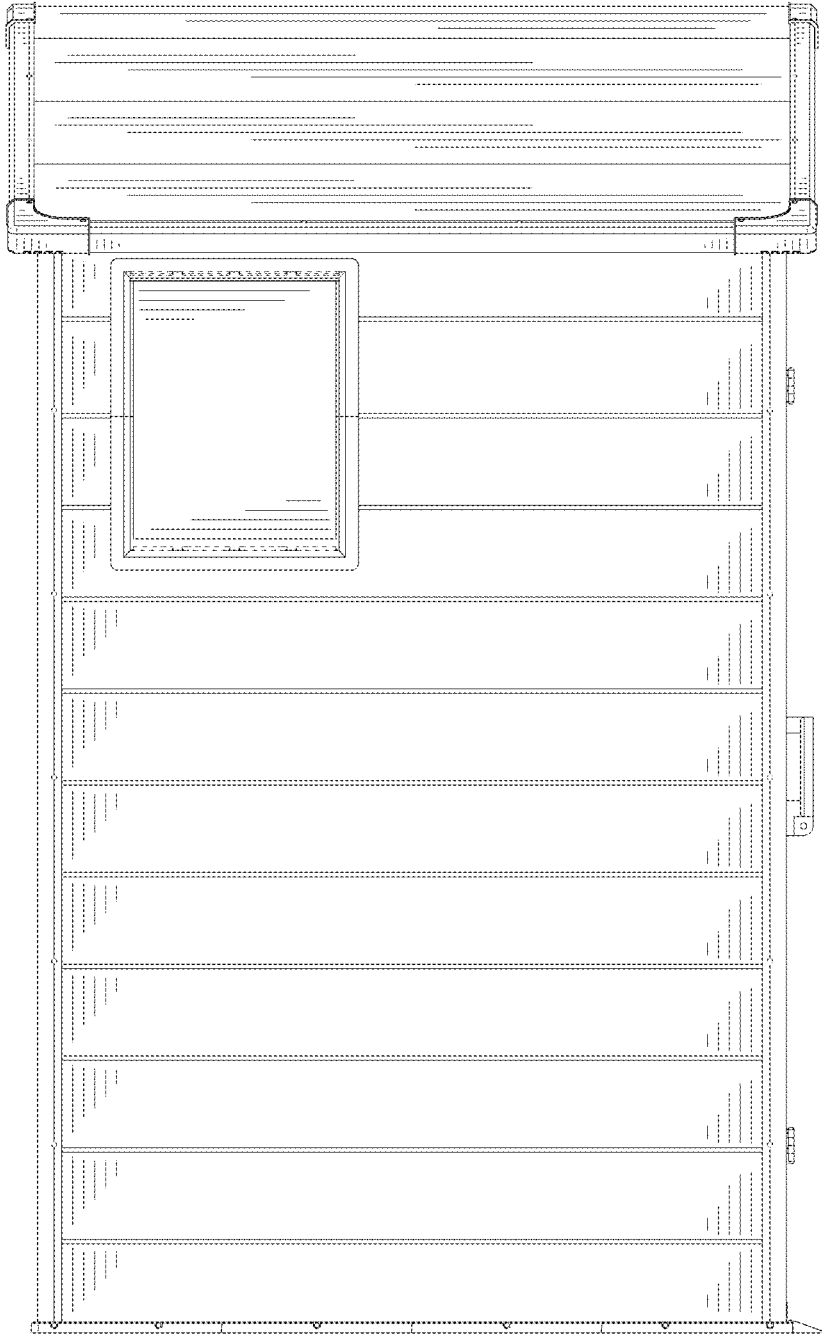


FIG. 5

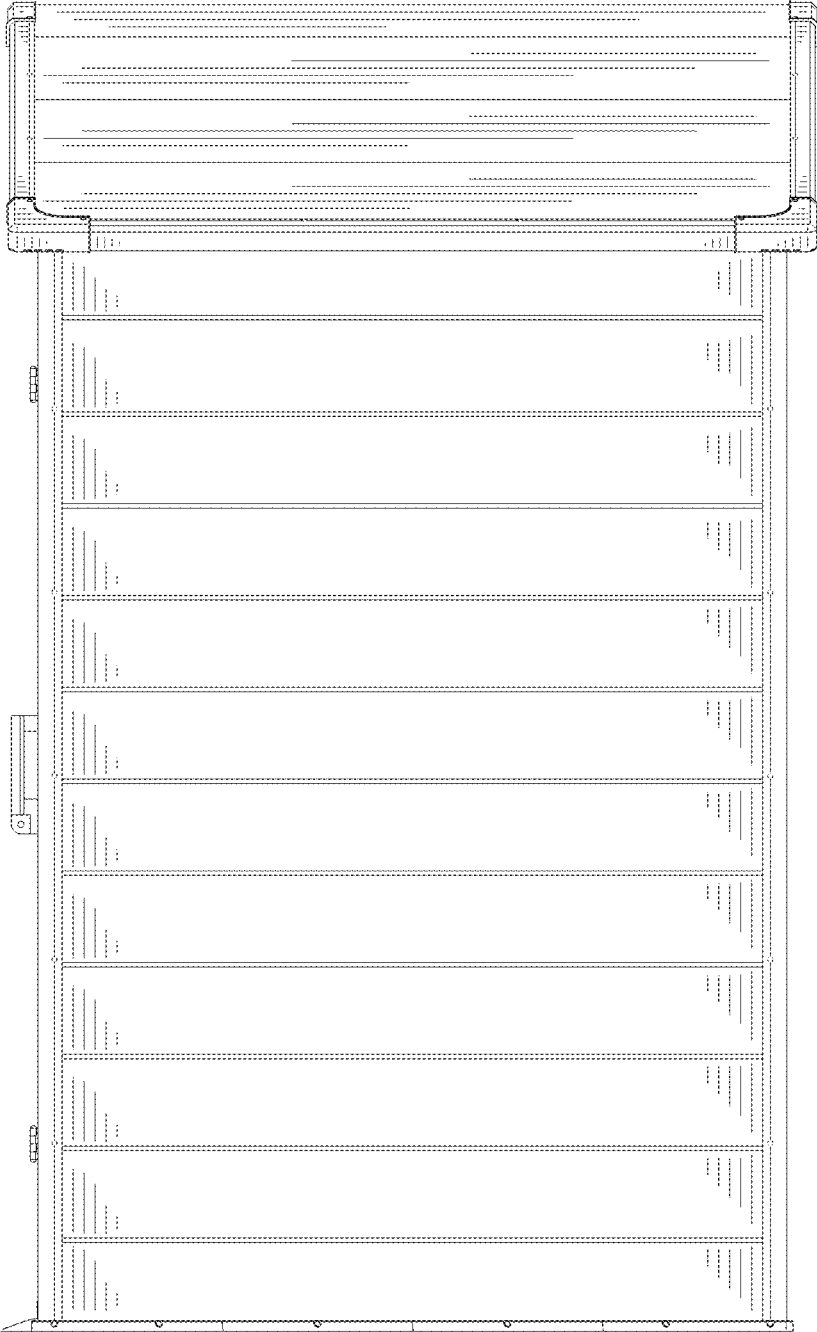


FIG. 6

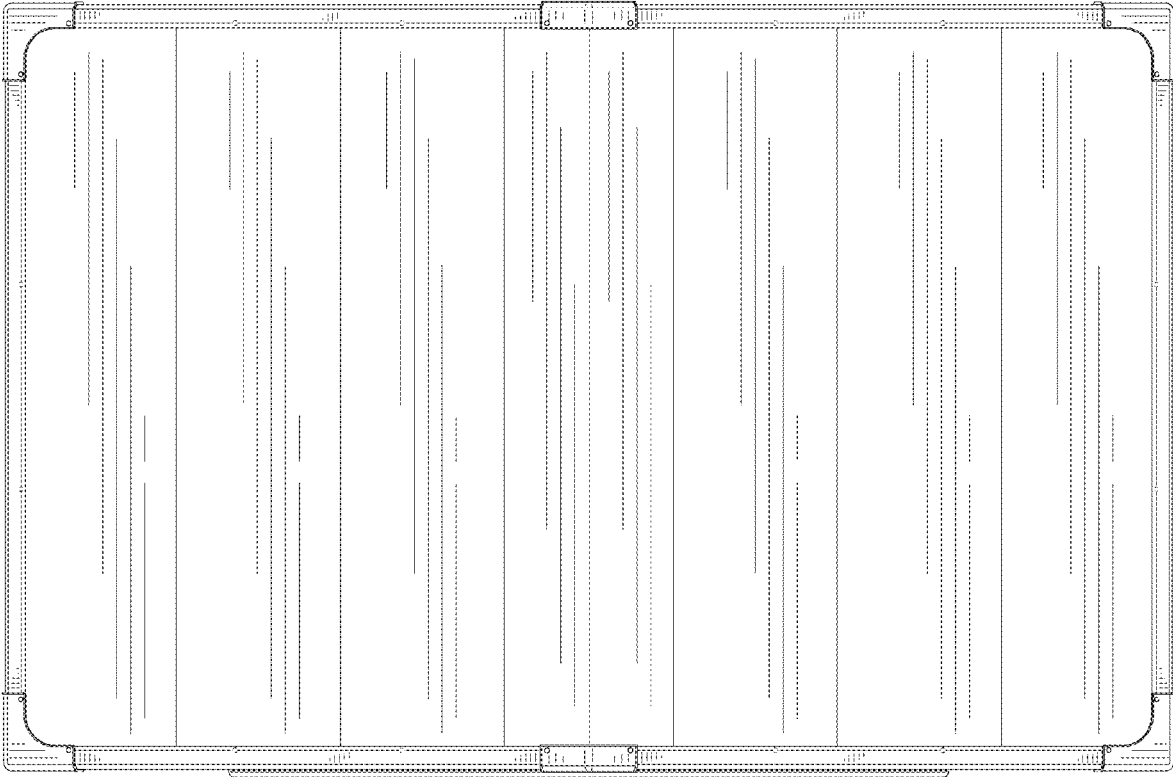


FIG. 7

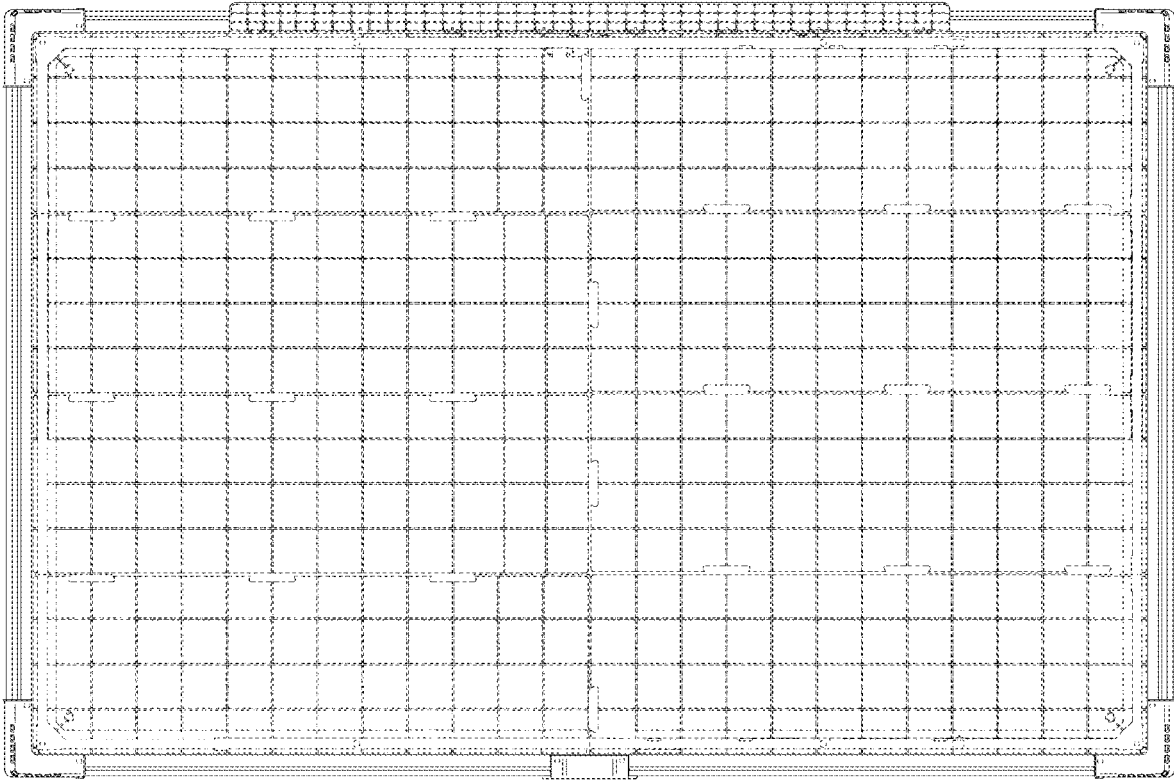


FIG. 8

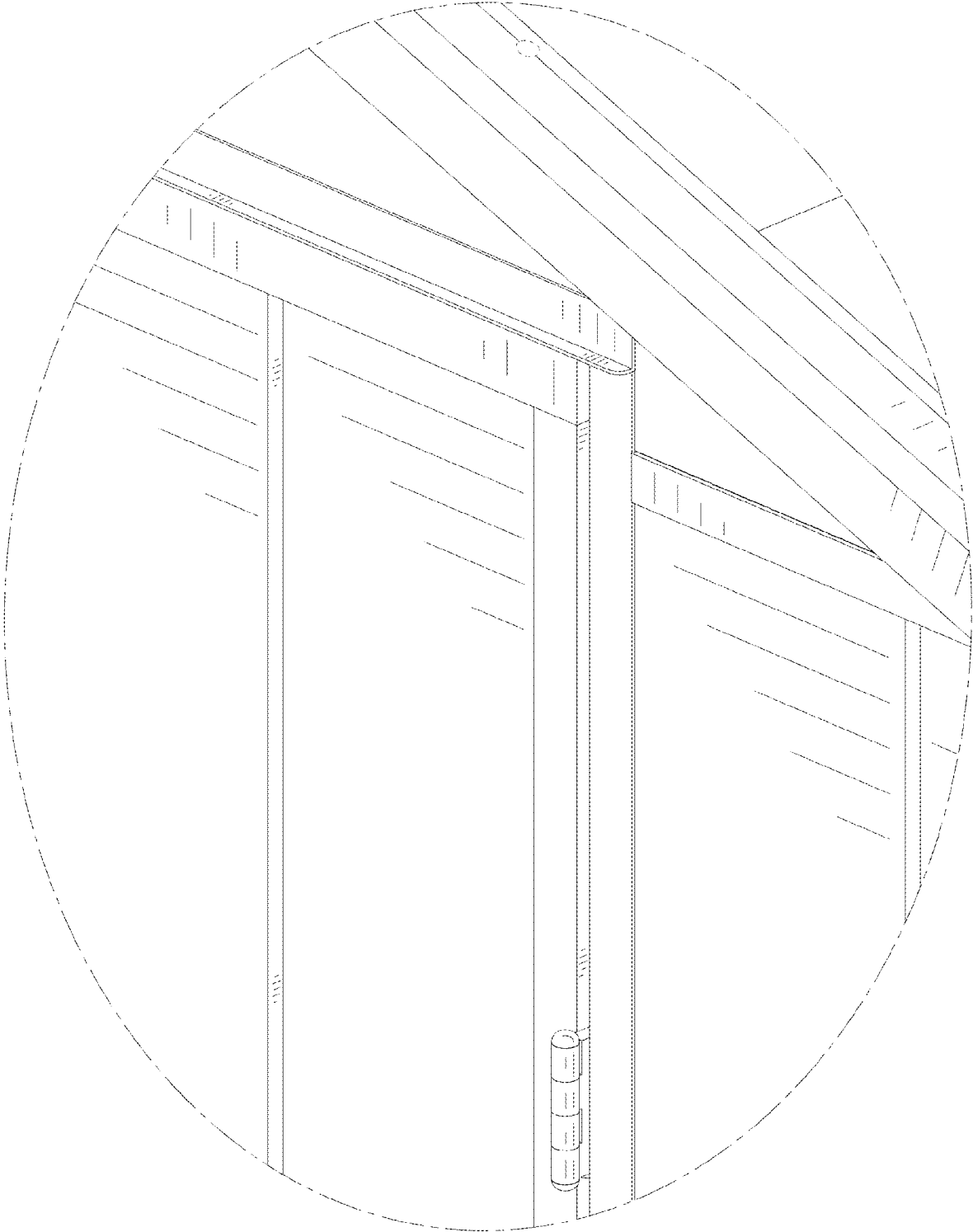


FIG. 9

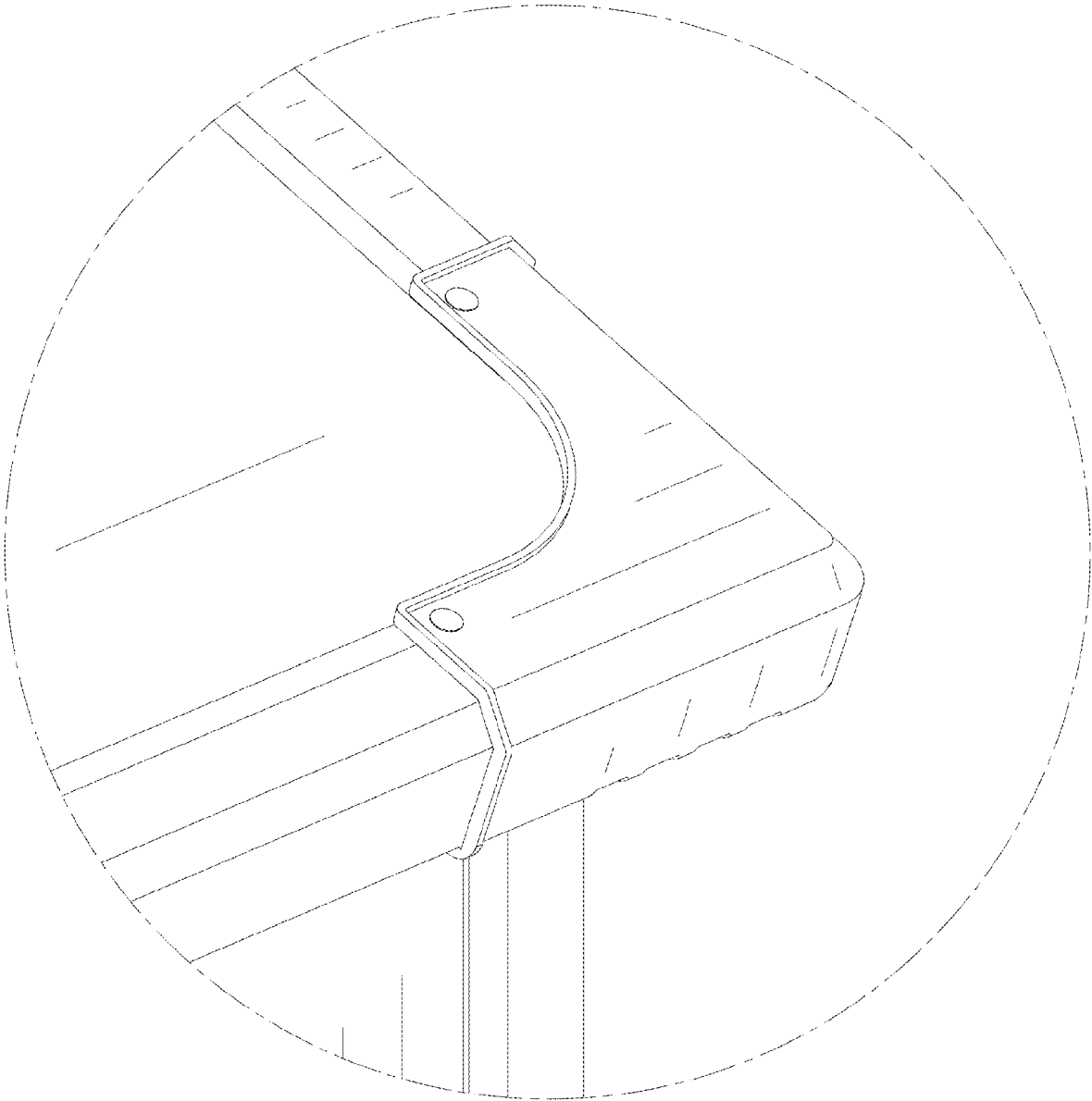


FIG. 10

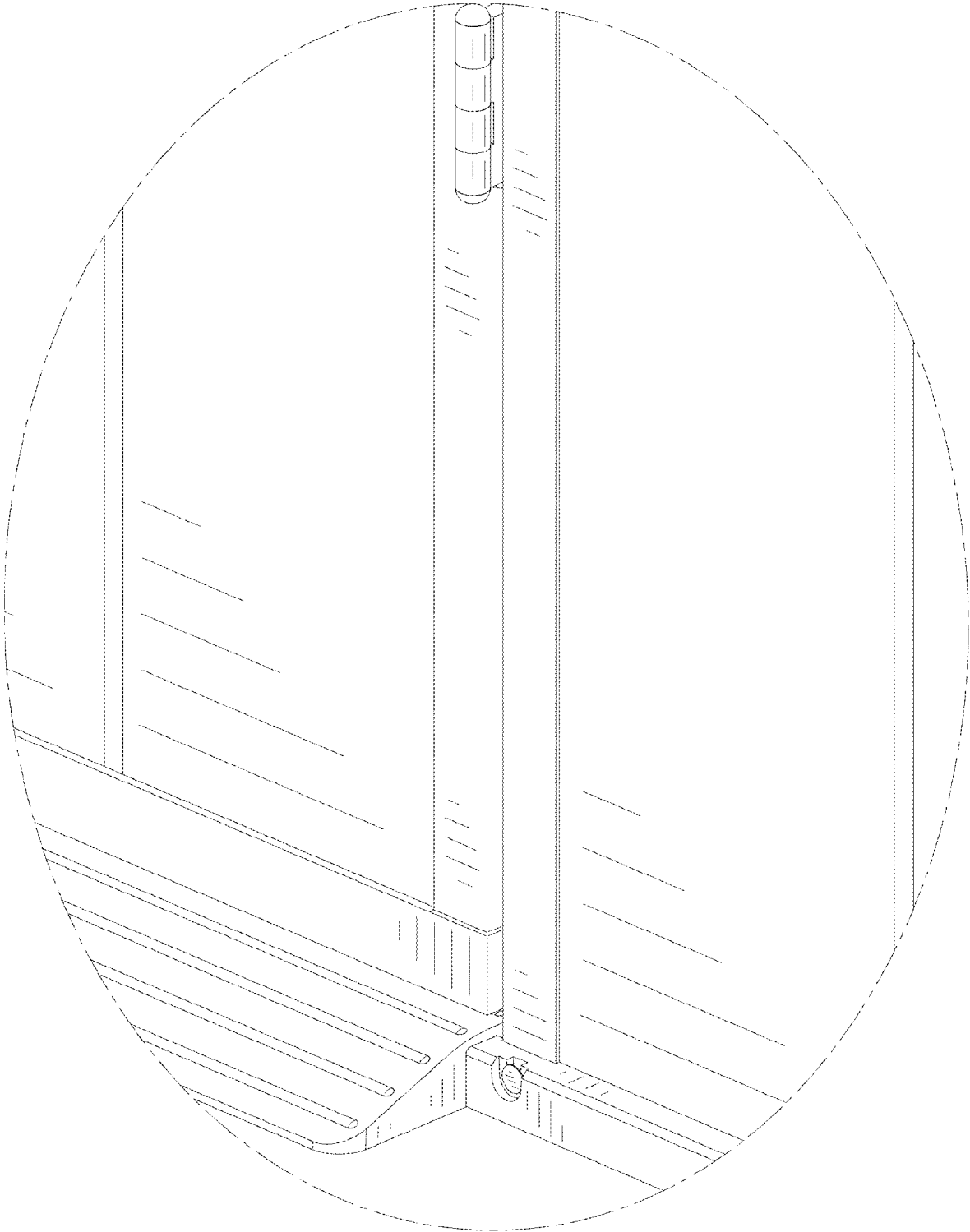


FIG. 11

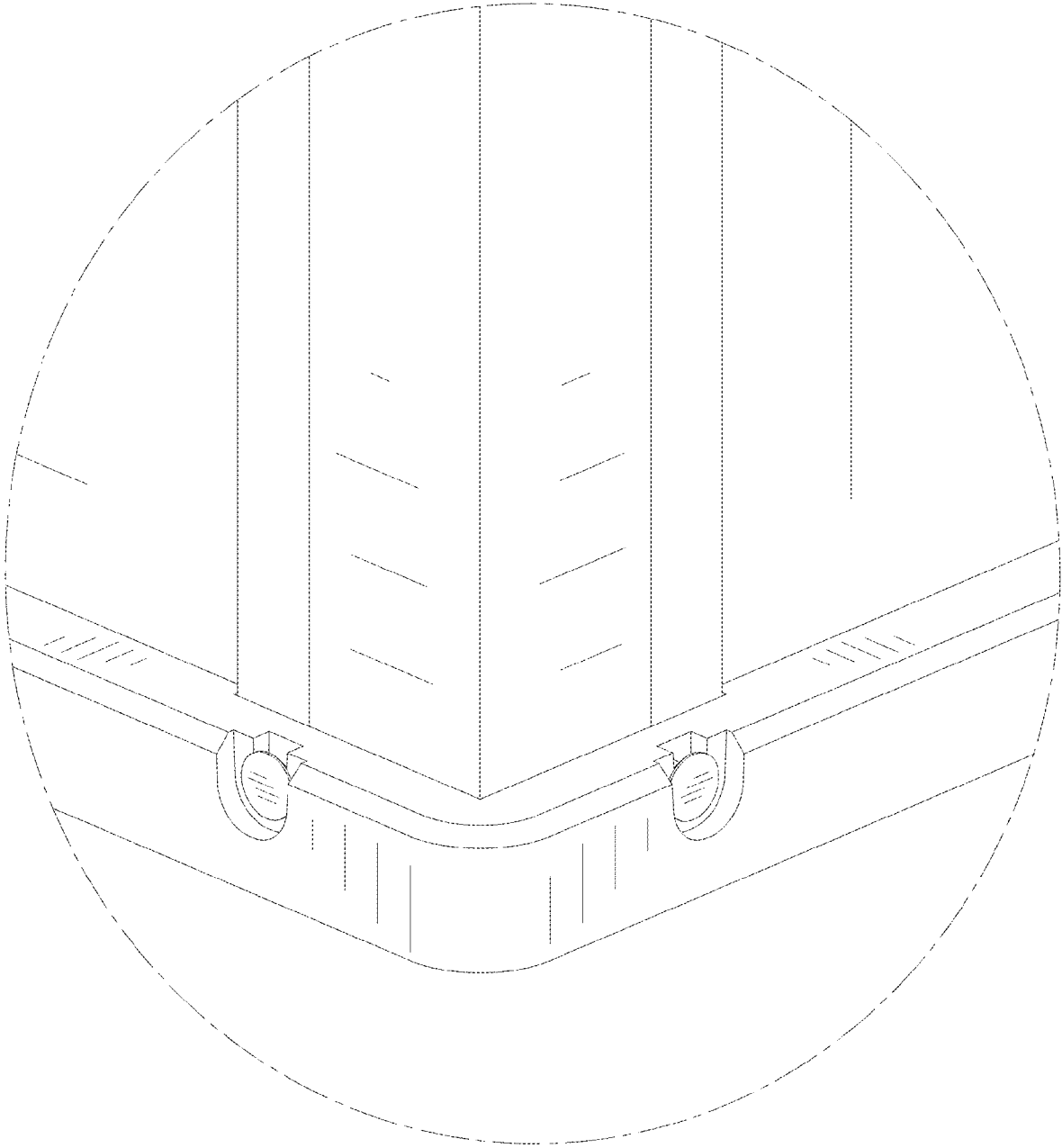


FIG. 12

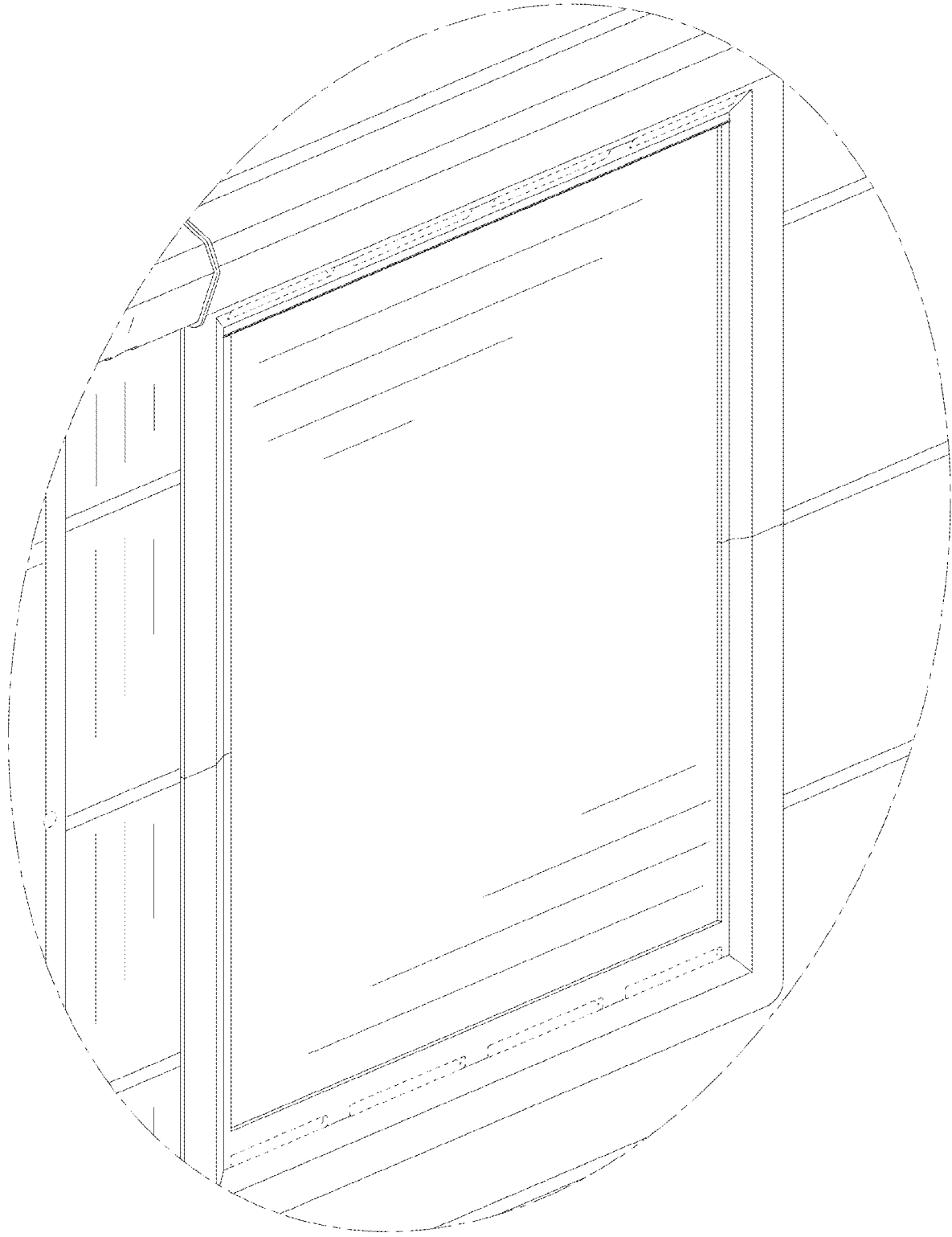


FIG. 13