

(19) World Intellectual Property
Organization
International Bureau



(43) International Publication Date
19 August 2004 (19.08.2004)

PCT

(10) International Publication Number
WO 2004/069025 A3

(51) International Patent Classification⁷: A61B 17/28

(21) International Application Number:
PCT/US2004/001935

(22) International Filing Date: 23 January 2004 (23.01.2004)

(25) Filing Language: English

(26) Publication Language: English

(30) Priority Data:
10/355,809 30 January 2003 (30.01.2003) US
10/430,880 6 May 2003 (06.05.2003) US

(71) Applicant (for all designated States except US): VASCULAR CONTROL SYSTEMS, INC. [US/US]; 32236-E Paseo Adelanto, San Juan Capistrano, CA 92675 (US).

(72) Inventors: BURBANK, Fred, H.; 12 Old Ranch Road, Laguna Niguel, CA 92677 (US). JONES, Michael, L.; 6332 Camino Marinero, San Clemente, CA 92673 (US). ALTIERI, Greig, E.; 1102 Temple Hills, Laguna Beach, CA 92651 (US).

(74) Agent: LYNCH, Edward, J.; Duane Morris LLP, One Market, Spear Tower, Suite 2000, San Francisco, CA 94105 (US).

(81) Designated States (unless otherwise indicated, for every kind of national protection available): AE, AG, AL, AM,

AT, AU, AZ, BA, BB, BG, BR, BW, BY, BZ, CA, CH, CN, CO, CR, CU, CZ, DE, DK, DM, DZ, EC, EE, EG, ES, FI, GB, GD, GE, GH, GM, HR, HU, ID, IL, IN, IS, JP, KE, KG, KP, KR, KZ, LC, LK, LR, LS, LT, LU, LV, MA, MD, MG, MK, MN, MW, MX, MZ, NA, NI, NO, NZ, OM, PG, PH, PL, PT, RO, RU, SC, SD, SE, SG, SK, SL, SY, TJ, TM, TN, TR, TT, TZ, UA, UG, US, UZ, VC, VN, YU, ZA, ZM, ZW.

(84) Designated States (unless otherwise indicated, for every kind of regional protection available): ARIPO (BW, GH, GM, KE, LS, MW, MZ, SD, SL, SZ, TZ, UG, ZM, ZW), Eurasian (AM, AZ, BY, KG, KZ, MD, RU, TJ, TM), European (AT, BE, BG, CH, CY, CZ, DE, DK, EE, ES, FI, FR, GB, GR, HU, IE, IT, LU, MC, NL, PT, RO, SE, SI, SK, TR), OAPI (BF, BJ, CF, CG, CI, CM, GA, GN, GQ, GW, ML, MR, NE, SN, TD, TG).

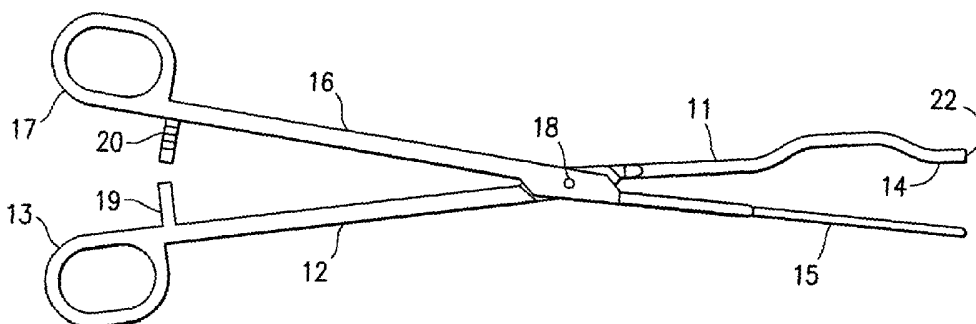
Published:

- with international search report
- before the expiration of the time limit for amending the claims and to be republished in the event of receipt of amendments

(88) Date of publication of the international search report:
28 April 2005

For two-letter codes and other abbreviations, refer to the "Guidance Notes on Codes and Abbreviations" appearing at the beginning of each regular issue of the PCT Gazette.

(54) Title: UTERINE ARTERY OCCLUSION CLAMP



(57) Abstract: The invention is directed to a uterine artery clamp and the relatively non-invasive treatment procedure utilizing this clamp. The uterine clamp includes a clamping member having a jaw (14) with tissue-contacting surfaces for applying pressure to target tissue and a stabilizing member (15) which is configured to be inserted into the patient's uterine cervical canal. The clamp may be provided with elongated handles (12 and 16) to manually adjust the spacing between the jaw (14) and stabilizer (15) and thereby apply pressure to a uterine artery beneath a bundle of tissue held between the jaw and stabilizer. Uterine clamps embodying features of the invention may be used in procedures for treating uterine disorders such as fibroids, DUB, PPH and the like.

WO 2004/069025 A3

INTERNATIONAL SEARCH REPORT

International application No.

PCT/US04/01935

A. CLASSIFICATION OF SUBJECT MATTER IPC(7) : A61B 17/28 US CL : 606/205 According to International Patent Classification (IPC) or to both national classification and IPC		
B. FIELDS SEARCHED Minimum documentation searched (classification system followed by classification symbols) U.S. : 606/205, 119, 207, 210; D08/52; D07/686; 294/3, 119 Documentation searched other than minimum documentation to the extent that such documents are included in the fields searched Electronic data base consulted during the international search (name of data base and, where practicable, search terms used)		
C. DOCUMENTS CONSIDERED TO BE RELEVANT		
Category *	Citation of document, with indication, where appropriate, of the relevant passages	Relevant to claim No.
X ---	US 3,779,248 A (KARMAN) 18 December 1973 (18.12.1973), column 1 line 67 to column 2, line 4; Fig. 1	1-10, 20 -----
Y	US 6,293,954 B1 (FOGERTY et al.) 25 September 2001 (25.09.2001), Figures 1, 1A, 2, and 3; column 1 lines 56-67; column 2, lines 18-25	11
X	US 4,120,302 A (ZIEGLER) 17 October 1978 (17.10.1978), column 4, lines 14-17; Figures 1 and 2	1, 9, 20
Y	GB 2 302 025 A (WHITELEY) 10 June 1995 (10.06.1995), page 1, 2nd and 3rd paragraphs	12-15, 21-25
<input type="checkbox"/> Further documents are listed in the continuation of Box C. <input type="checkbox"/> See patent family annex.		
* Special categories of cited documents:	"T"	later document published after the international filing date or priority date and not in conflict with the application but cited to understand the principle or theory underlying the invention
"A" document defining the general state of the art which is not considered to be of particular relevance	"X"	document of particular relevance; the claimed invention cannot be considered novel or cannot be considered to involve an inventive step when the document is taken alone
"E" earlier application or patent published on or after the international filing date	"Y"	document of particular relevance; the claimed invention cannot be considered to involve an inventive step when the document is combined with one or more other such documents, such combination being obvious to a person skilled in the art
"L" document which may throw doubts on priority claim(s) or which is cited to establish the publication date of another citation or other special reason (as specified)	"&"	document member of the same patent family
"O" document referring to an oral disclosure, use, exhibition or other means		
"P" document published prior to the international filing date but later than the priority date claimed		
Date of the actual completion of the international search	Date of mailing of the international search report	
13 January 2005 (13.01.2005)	15 FEB 2005	
Name and mailing address of the ISA/US Mail Stop PCT, Attn: ISA/US Commissioner for Patents P.O. Box 1450 Alexandria, Virginia 22313-1450 Facsimile No. (703) 305-3230	Authorized officer Bradford C. Pastuck Telephone No. (703) 308-0858	