



US00D766908S

(12) **United States Design Patent**
Richter

(10) **Patent No.:** **US D766,908 S**

(45) **Date of Patent:** **** Sep. 20, 2016**

(54) **APPARATUS HOLDER FOR CONNECTION TO AN APPARATUS SUPPORT DEVICE**

(71) Applicant: **Harald Richter**, Engelbrand (DE)

(72) Inventor: **Harald Richter**, Engelbrand (DE)

(**) Term: **15 Years**

(21) Appl. No.: **29/530,166**

(22) Filed: **Jun. 14, 2015**

(51) **LOC (10) Cl.** **08-07**

(52) **U.S. Cl.**

USPC **D14/447**

(58) **Field of Classification Search**

USPC D14/447, 432, 434, 439, 440, 451, 452, D14/457, 250, 251, 253; D3/218; D6/406.3, D6/406.4, 406.5, 406.6

CPC A45C 2011/003; A45C 2011/002; A45C 13/002; A47B 2023/049; A47B 2097/005; A47B 2097/006; A47B 21/04; A47B 23/00; A47B 23/043; A47B 2021/0307; A47B 2023/005; F16M 2200/00; H04B 1/3888; H04M 1/185; H04M 1/04

See application file for complete search history.

(56) **References Cited**

U.S. PATENT DOCUMENTS

D431,250 S *	9/2000	Richter	D14/447
D671,950 S *	12/2012	Richter	D14/447
D685,379 S *	7/2013	Richter	D14/253
D685,380 S *	7/2013	Richter	D14/253
D697,515 S *	1/2014	Adelman	D14/447
D712,394 S *	9/2014	Booth	D14/253

D717,307 S *	11/2014	Chun	D14/447
D724,598 S *	3/2015	Gelsomini	D14/447
D741,146 S *	10/2015	Delrue	D14/447
D742,387 S *	11/2015	Xiang	D14/447
D748,087 S *	1/2016	Lee	D14/251
D750,612 S *	3/2016	Chen	D14/253
D750,633 S *	3/2016	Minn	D14/447

* cited by examiner

Primary Examiner — Angela J Lee

(74) *Attorney, Agent, or Firm* — Klaus J. Bach

(57) **CLAIM**

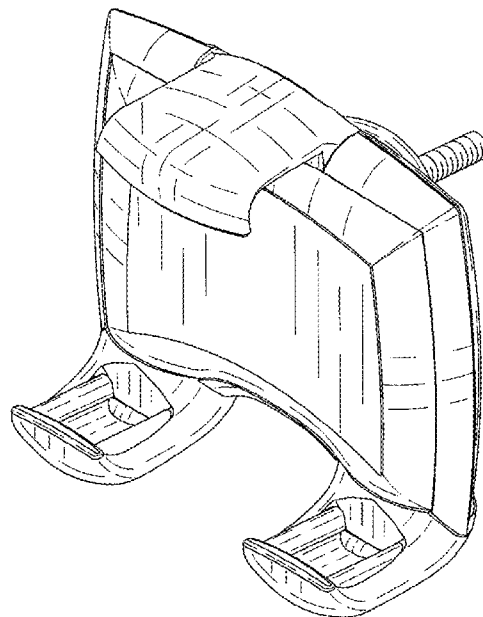
The ornamental design for an apparatus holder for connection to an apparatus support device, as shown and described.

DESCRIPTION

FIG. 1 is a perspective view of an apparatus holder;
 FIG. 2 is a right side view of the apparatus holder shown in FIG. 1,
 FIG. 3 is a left side view of the apparatus holder shown in FIG. 2,
 FIG. 4 is a front view of the apparatus holder shown in FIG. 1,
 FIG. 5 is a rear view of the apparatus holder shown in FIG. 1,
 FIG. 6 is a top view of the apparatus holder shown in FIG. 1; and,
 FIG. 7 is a bottom view of the apparatus holder shown in FIG. 1.

In the apparatus holder for connection to an apparatus support device a snap-in connection is provided for firmly engaging the apparatus holder with the support device. The apparatus holder is adapted to hold an apparatus such as cell phone, a GPS or a tablet.

1 Claim, 7 Drawing Sheets



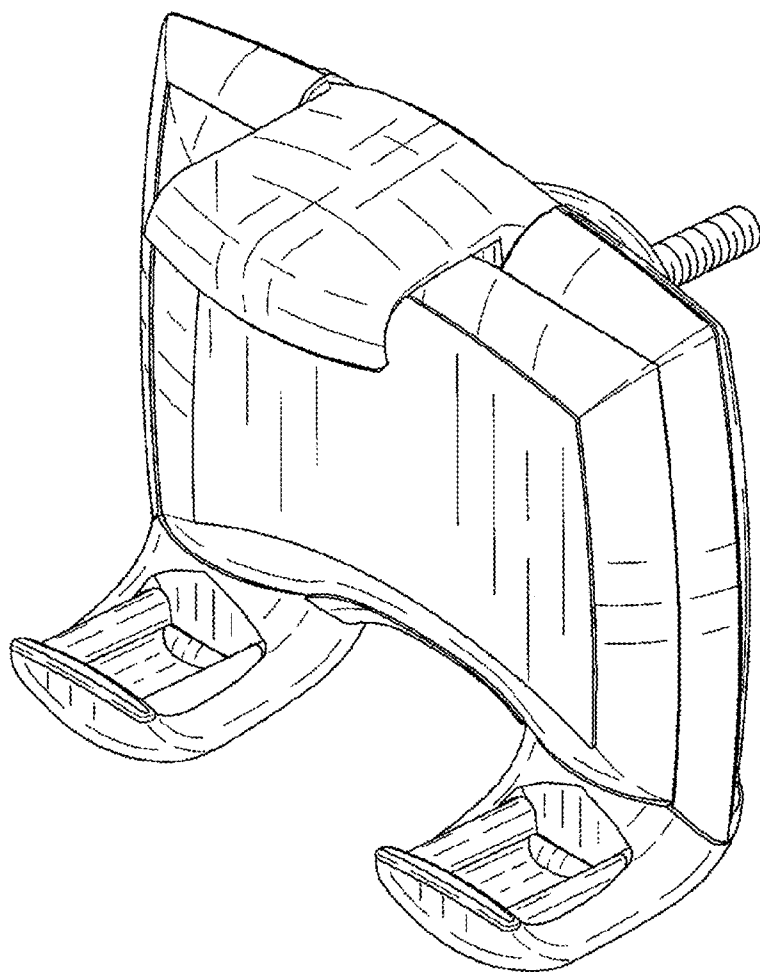


FIG. 1

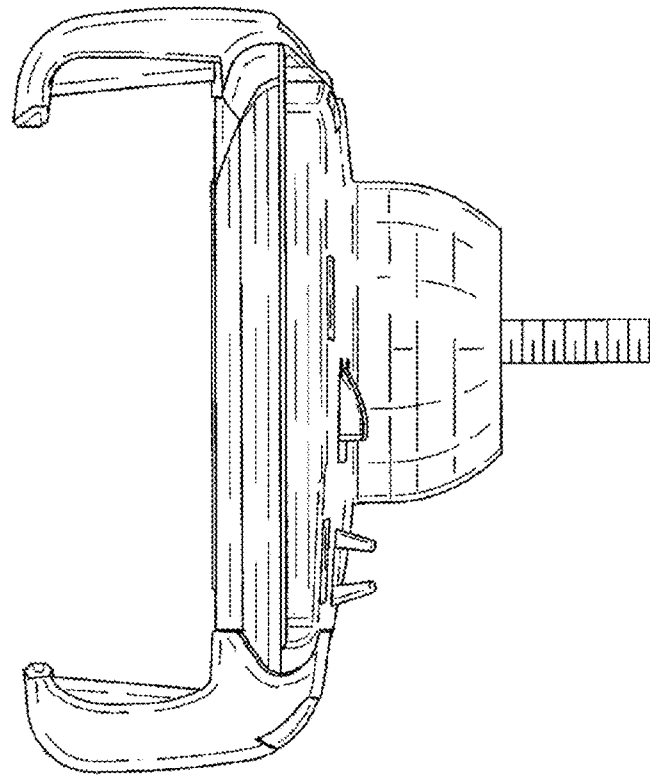


FIG. 2

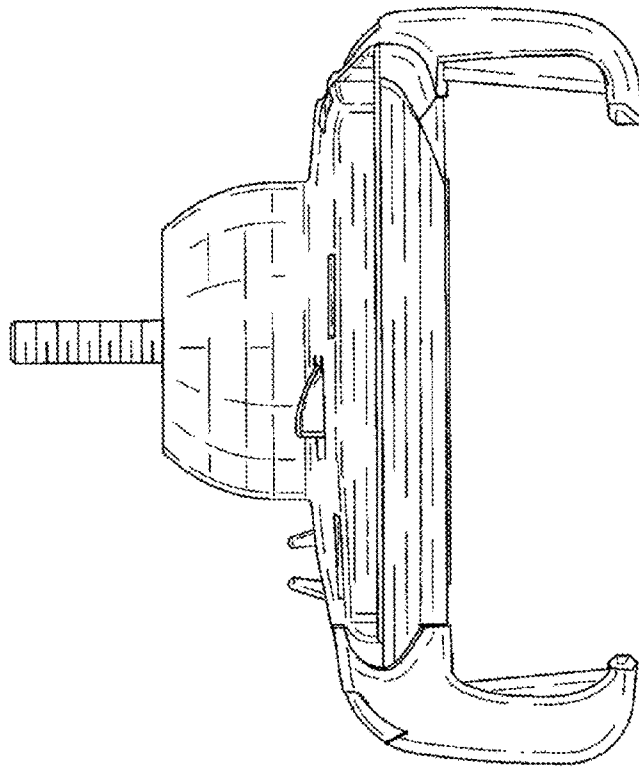


FIG. 3

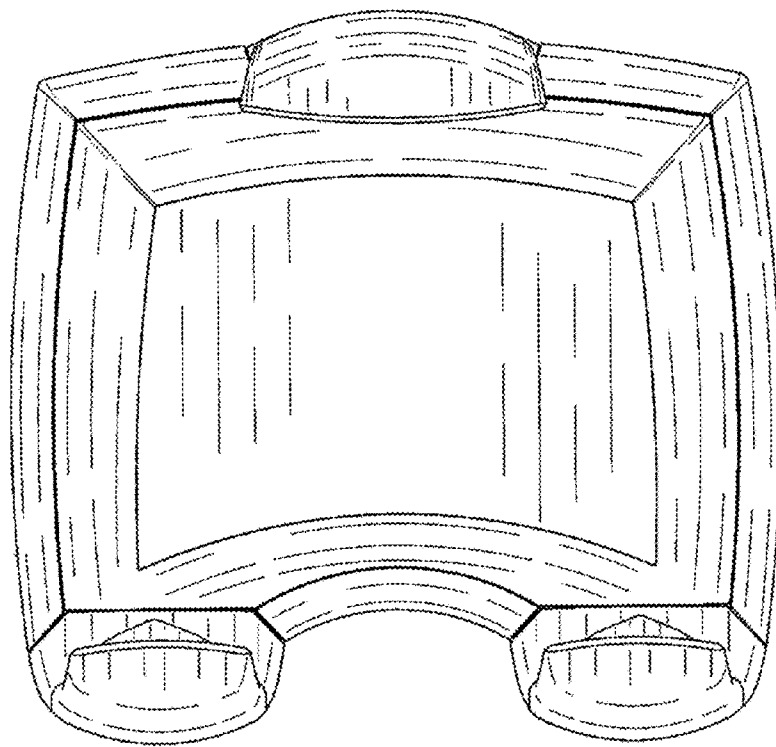


FIG. 4

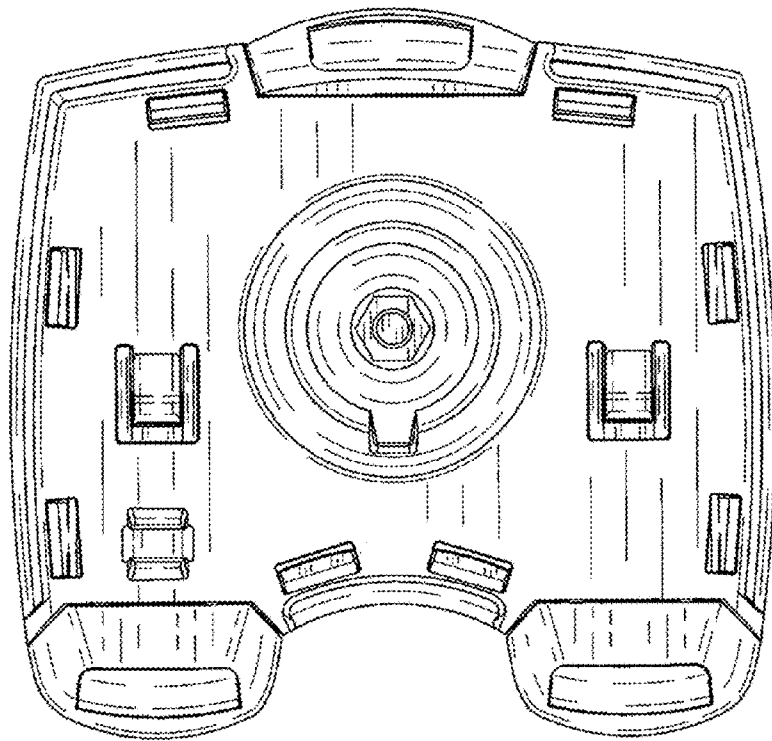


FIG. 5

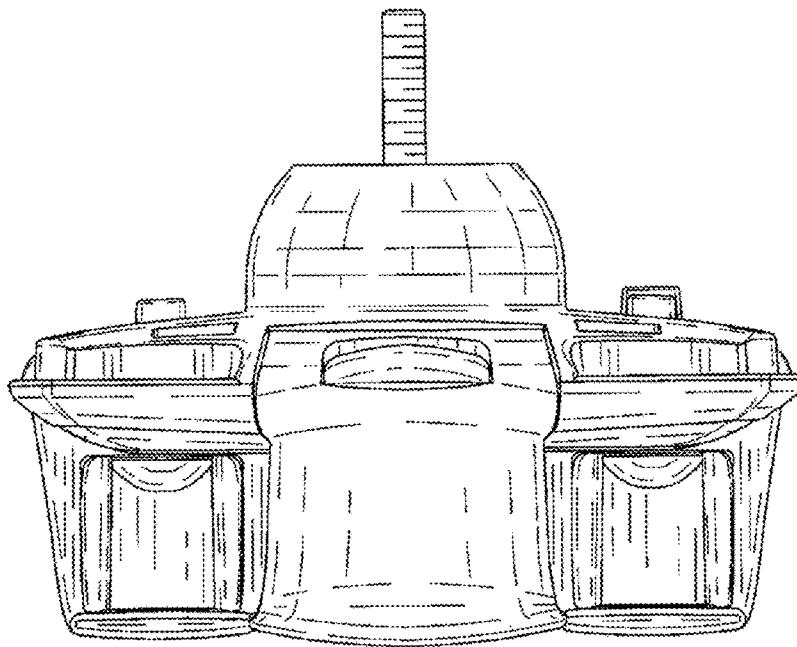


FIG. 6

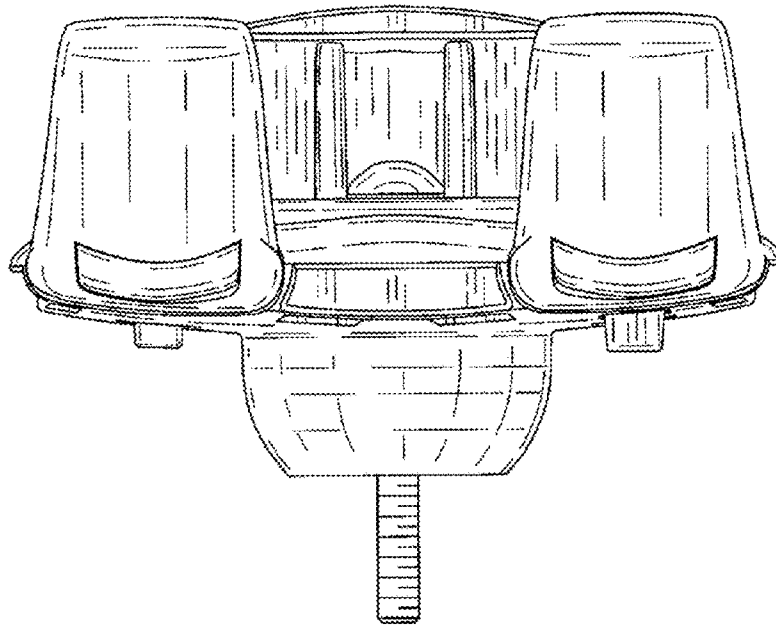


FIG. 7