

(19) World Intellectual Property Organization  
International Bureau



(43) International Publication Date  
30 July 2009 (30.07.2009)

PCT

(10) International Publication Number  
WO 2009/094591 A3

- (51) International Patent Classification:  
H04N 7/18 (2006.01) H04W 84/04 (2009.01)  
H04N 5/225 (2006.01)
- (21) International Application Number:  
PCT/US2009/031908
- (22) International Filing Date:  
23 January 2009 (23.01.2009)
- (25) Filing Language: English
- (26) Publication Language: English
- (30) Priority Data:  
61/023,369 24 January 2008 (24.01.2008) US
- (71) Applicant (for all designated States except US): **MICROPOWER APPLIANCE** [US/US]; P. O. Box 3246, Rancho Santa Fe, California 92067 (US).
- (72) Inventors; and
- (75) Inventors/Applicants (for US only): **SIANN, Jon** [US/US]; P. O. Box 3246, Rancho Santa Fe, California 92067 (US). **WALLACE, Bradford S.** [US/US]; 13225 Stone Canyon Road, Poway, California 92064 (US).
- (74) Agent: **AI, Bing**; Fish & Richardson P.C., P. O. Box 1022, Minneapolis, Minnesota 55440-1022 (US).
- (81) Designated States (unless otherwise indicated, for every kind of national protection available): AE, AG, AL, AM,

AO, AT, AU, AZ, BA, BB, BG, BH, BR, BW, BY, BZ, CA, CH, CN, CO, CR, CU, CZ, DE, DK, DM, DO, DZ, EC, EE, EG, ES, FI, GB, GD, GE, GH, GM, GT, HN, HR, HU, ID, IL, IN, IS, JP, KE, KG, KM, KN, KP, KR, KZ, LA, LC, LK, LR, LS, LT, LU, LY, MA, MD, ME, MG, MK, MN, MW, MX, MY, MZ, NA, NG, NI, NO, NZ, OM, PG, PH, PL, PT, RO, RS, RU, SC, SD, SE, SG, SK, SL, SM, ST, SV, SY, TJ, TM, TN, TR, TT, TZ, UA, UG, US, UZ, VC, VN, ZA, ZM, ZW.

(84) Designated States (unless otherwise indicated, for every kind of regional protection available): ARIPO (BW, GH, GM, KE, LS, MW, MZ, NA, SD, SL, SZ, TZ, UG, ZM, ZW), Eurasian (AM, AZ, BY, KG, KZ, MD, RU, TJ, TM), European (AT, BE, BG, CH, CY, CZ, DE, DK, EE, ES, FI, FR, GB, GR, HR, HU, IE, IS, IT, LT, LU, LV, MC, MK, MT, NL, NO, PL, PT, RO, SE, SI, SK, TR), OAPI (BF, BJ, CF, CG, CI, CM, GA, GN, GQ, GW, ML, MR, NE, SN, TD, TG).

- Published:
- with international search report (Art. 21(3))
- before the expiration of the time limit for amending the claims and to be republished in the event of receipt of amendments (Rule 48.2(h))
- (88) Date of publication of the international search report:  
29 October 2009

(54) Title: VIDEO DELIVERY SYSTEMS USING WIRELESS CAMERAS

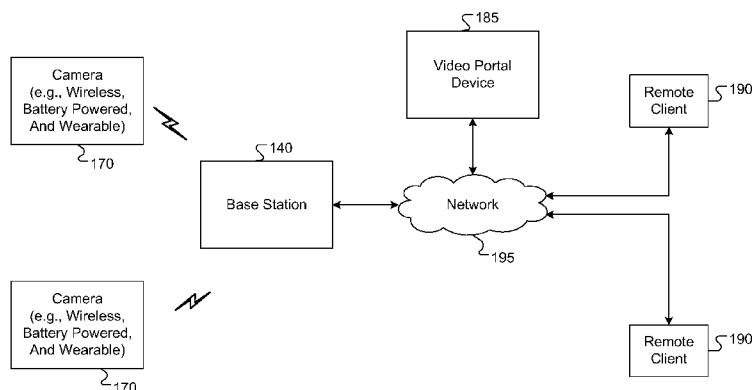


FIG. 1C

(57) Abstract: Systems, apparatuses, and techniques for video delivery can include one or more of the following: a wireless camera arranged in a wearable form factor comprising a battery to provide energy, and configured to generate a video feed, and a base station in wireless communication with the wireless camera and configured to receive the video feed from the wireless camera and process the video feed, and a video portal device communicatively coupled with the base station and configured to receive the processed video feed from the base station and deliver at least a portion of the processed video feed to one or more remote clients. A base station can reserve a wireless channel for the wireless camera for a video transmission.

WO 2009/094591 A3

## INTERNATIONAL SEARCH REPORT

International application No.  
**PCT/US2009/031908****A. CLASSIFICATION OF SUBJECT MATTER***H04N 7/18(2006.01)i, H04N 5/225(2006.01)i, H04W 84/04(2009.01)i*

According to International Patent Classification (IPC) or to both national classification and IPC

**B. FIELDS SEARCHED**

Minimum documentation searched (classification system followed by classification symbols)

IPC H04N H04B

Documentation searched other than minimum documentation to the extent that such documents are included in the fields searched

Korean Utility models and applications for Utility models since 1975  
Japanese Utility models and applications for Utility models since 1975

Electronic data base consulted during the international search (name of data base and, where practicable, search terms used)

eKOMPASS(KIPO internal): "wireless", "camera", "radio", "base station", "client"

**C. DOCUMENTS CONSIDERED TO BE RELEVANT**

Category*	Citation of document, with indication, where appropriate, of the relevant passages	Relevant to claim No.
X	US 2003/0112335 A1 (PETER STRANDWITZ et al.) 19 June 2003.	1, 35
A	See abstract; paragraphs [0018], [0019], [0021], [0027], [0042]; figures 2-4; claims 1, 15.	1-49
A	US 2003/0052994 A1 (ERIC AUFFRET et al.) 20 March 2003. See abstract; paragraphs [0024]-[0027]; figures 1, 2; claim 1.	1-49
A	JP 15-298917 A (SONY CORP.) 17 October 2003. See abstract; paragraphs [0025], [0026], [0077], [0079], [0080]; figures 4, 6, 8; claim 1.	1-49

 Further documents are listed in the continuation of Box C. See patent family annex.

\* Special categories of cited documents:

"A" document defining the general state of the art which is not considered to be of particular relevance

"E" earlier application or patent but published on or after the international filing date

"L" document which may throw doubts on priority claim(s) or which is cited to establish the publication date of citation or other special reason (as specified)

"O" document referring to an oral disclosure, use, exhibition or other means

"P" document published prior to the international filing date but later than the priority date claimed

"T" later document published after the international filing date or priority date and not in conflict with the application but cited to understand the principle or theory underlying the invention

"X" document of particular relevance; the claimed invention cannot be considered novel or cannot be considered to involve an inventive step when the document is taken alone

"Y" document of particular relevance; the claimed invention cannot be considered to involve an inventive step when the document is combined with one or more other such documents, such combination being obvious to a person skilled in the art

"&amp;" document member of the same patent family

Date of the actual completion of the international search

28 AUGUST 2009 (28.08.2009)

Date of mailing of the international search report

**03 SEPTEMBER 2009 (03.09.2009)**

Name and mailing address of the ISA/KR

Korean Intellectual Property Office  
Government Complex-Daejeon, 139 Seonsa-ro, Seo-  
gu, Daejeon 302-701, Republic of Korea

Facsimile No. 82-42-472-7140

Authorized officer

Kim, Seong Woo

Telephone No. 82-42-481-8590



**INTERNATIONAL SEARCH REPORT**

Information on patent family members

International application No.

**PCT/US2009/031908**

Patent document cited in search report	Publication date	Patent family member(s)	Publication date
US 2003-0112335 A1	19.06.2003	US 2008-0049118 A1 US 06522352 B1	28.02.2008 18.02.2003
US 2003-0052994 A1	20.03.2003	EP 1311082 A1 JP 2003-224741 A US 07107070 B2	14.05.2003 08.08.2003 12.09.2006
JP 2003-298917 A	17.10.2003	EP 1494463 A4 EP 1494463 A1 US 2004-0169733 A1 WO 2003-085962 A1	01.08.2007 05.01.2005 02.09.2004 16.10.2003