



US00D691972S

(12) **United States Design Patent**
Lin

(10) **Patent No.:** **US D691,972 S**

(45) **Date of Patent:** **** *Oct. 22, 2013**

(54) **CONTROL PANEL FOR AC/DC POWER SUPPLY**

(71) Applicant: **Chyng Hong Electronic Co., Taichung (TW)**

(72) Inventor: **Mu-Chun Lin, Taichung (TW)**

(73) Assignee: **Chyng Hong Electronic Co., Taichung (TW)**

(*) Notice: This patent is subject to a terminal disclaimer.

(**) Term: **14 Years**

(21) Appl. No.: **29/437,335**

(22) Filed: **Nov. 15, 2012**

(51) **LOC (9) Cl.** **13-03**

(52) **U.S. Cl.**
USPC **D13/177**

(58) **Field of Classification Search**

USPC D13/162, 177; D14/257; D8/353; 174/66, 67; 200/5 R, 5 A, 5 E, 293, 296, 200/302.2, 339; 220/241; 361/679.02, 724, 361/725; 439/135, 489, 540.1

See application file for complete search history.

(56) **References Cited**

U.S. PATENT DOCUMENTS

D287,243 S *	12/1986	Tope	D13/164
D311,920 S *	11/1990	Fuller et al.	D14/257
D337,754 S *	7/1993	Peterson et al.	D13/164
D344,684 S *	3/1994	Metz et al.	D10/103
D357,461 S *	4/1995	Zaplatynsky et al.	D13/177
D382,880 S *	8/1997	Cienkus et al.	D14/240

D416,544 S *	11/1999	Jordan	D13/162
D424,526 S *	5/2000	Yang	D13/177
7,355,115 B2 *	4/2008	Liang	174/50
7,595,459 B2 *	9/2009	Oh	200/333
D601,514 S *	10/2009	Lin	D13/177
D619,108 S *	7/2010	Lin	D13/177
D651,596 S *	1/2012	Cheng	D14/257
D664,934 S *	8/2012	Lin	D13/177
8,253,015 B2 *	8/2012	Chang	174/50
8,410,362 B1 *	4/2013	Lin	174/66
2007/0151836 A1 *	7/2007	Oh	200/314
2009/0314508 A1 *	12/2009	Yang	174/59
2013/0107464 A1 *	5/2013	Lin	361/725

* cited by examiner

Primary Examiner — Selina Sikder

(74) *Attorney, Agent, or Firm* — Ming Chow; Sinorica, LLC

(57) **CLAIM**

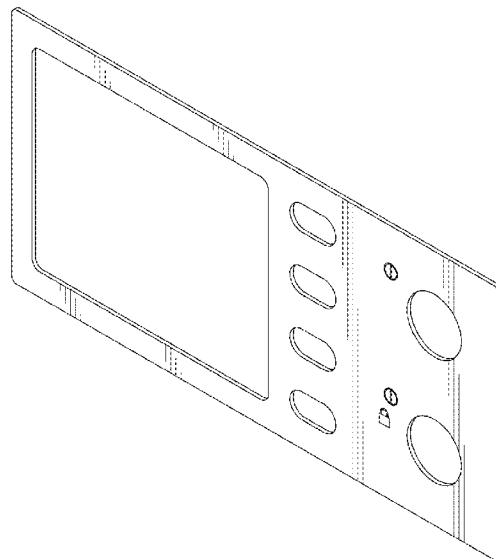
I claim the ornamental design for a control panel for AC/DC power supply, as shown and described.

DESCRIPTION

FIG. 1 is a front perspective view of a control panel for AC/DC power supply showing my new design; FIG. 2 is a front elevational view thereof; FIG. 3 is a rear elevational view thereof; FIG. 4 is a left side elevational view thereof; FIG. 5 is a right side elevational view thereof; FIG. 6 is a top plan view thereof; FIG. 7 is a bottom plan view thereof; and, FIG. 8 is a front end view of the control panel for AC/DC power supply in accordance with my design, shown in its environment thereof.

The broken lines are for the purpose of illustrating environmental structure and form no part of the claimed design.

1 Claim, 5 Drawing Sheets



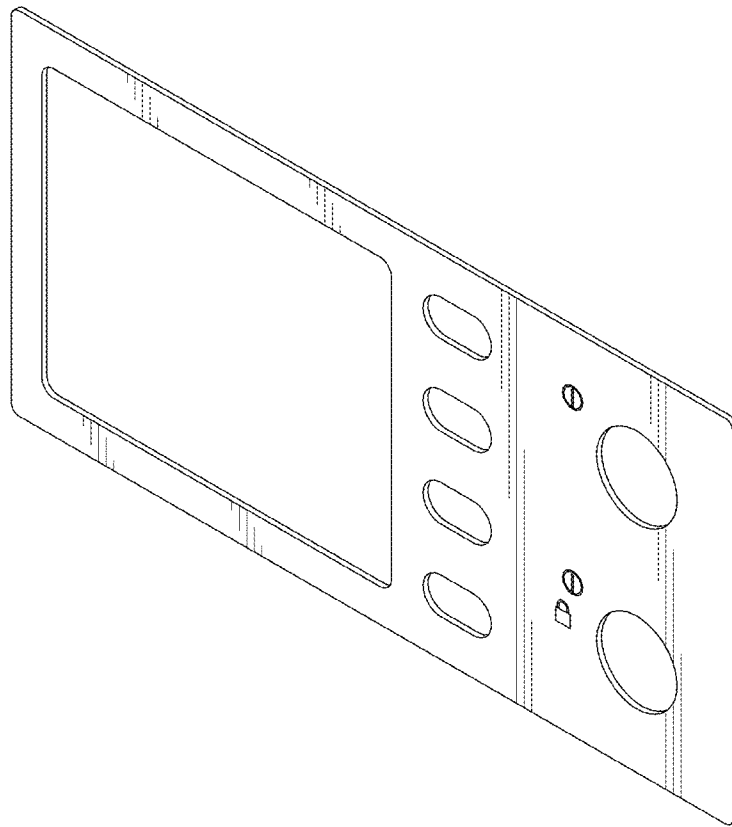


FIG. 1

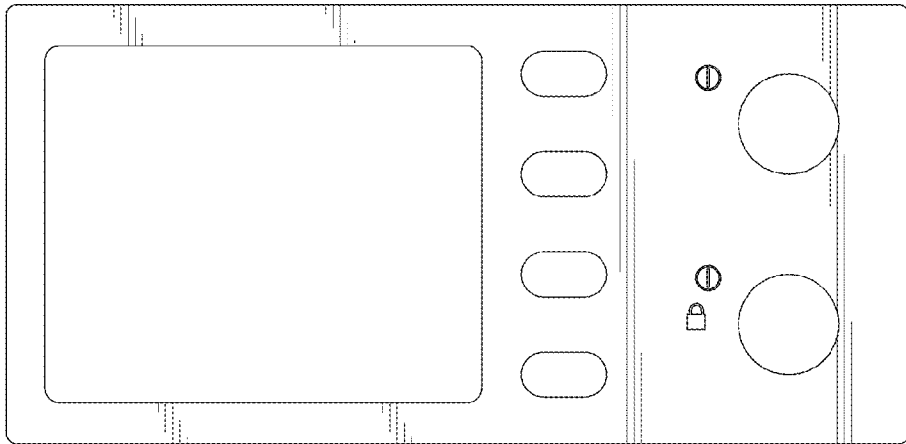


FIG. 2

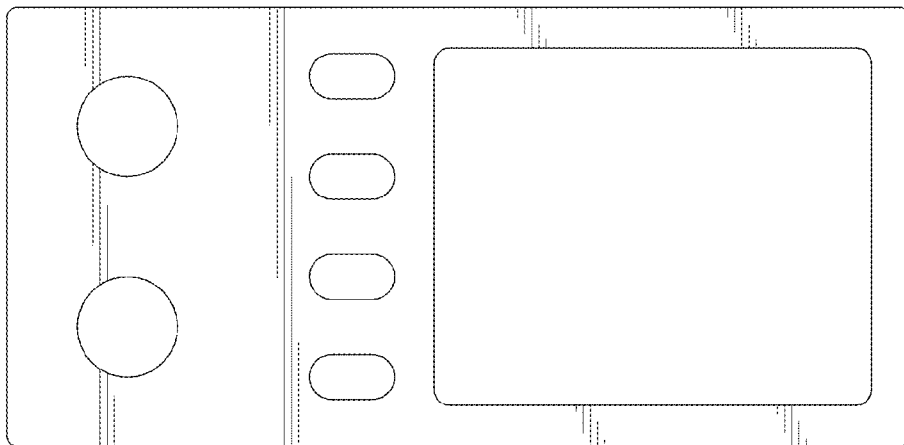


FIG. 3



FIG. 4



FIG. 5



FIG. 6



FIG. 7

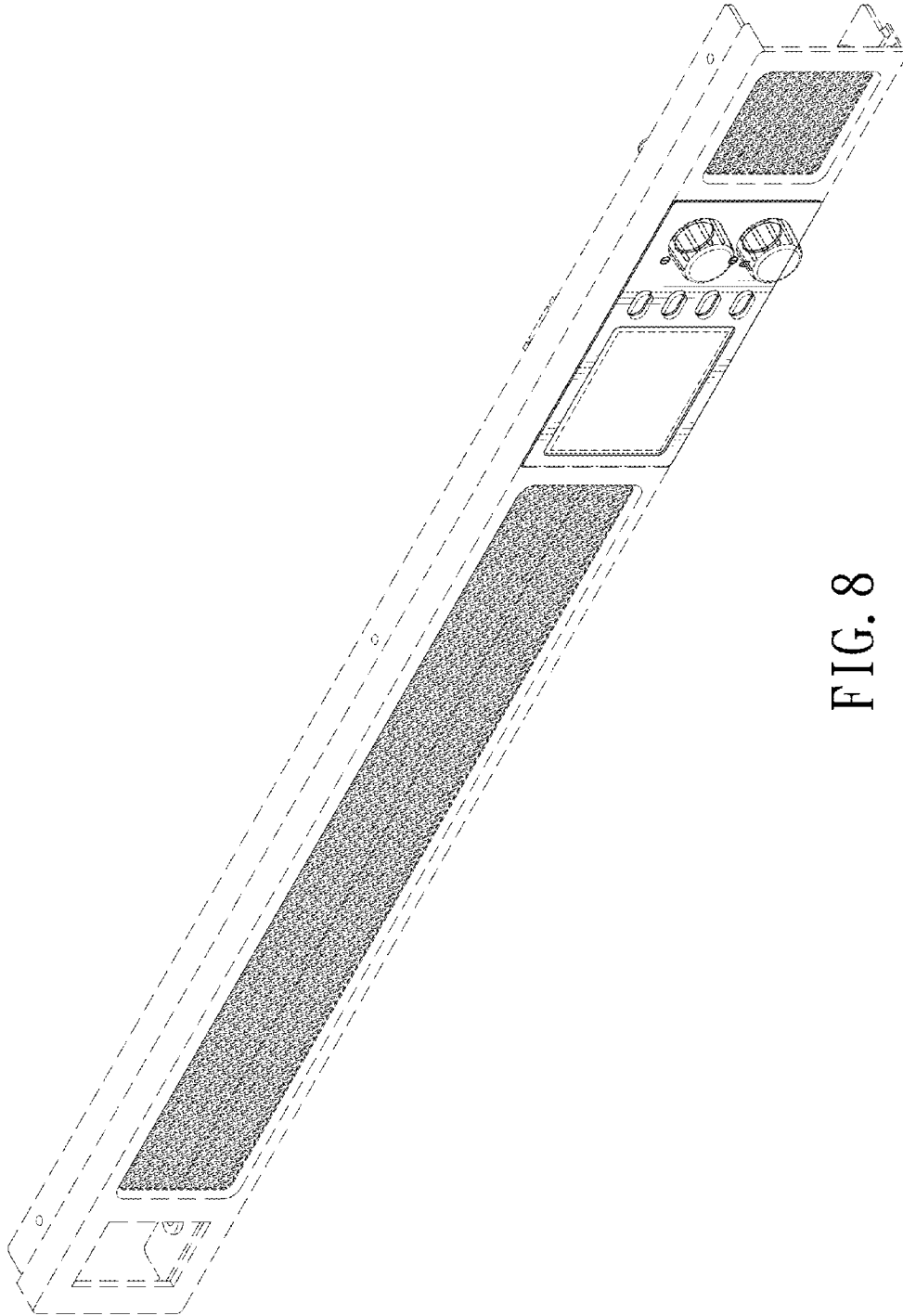


FIG. 8