



US00D906103S

(12) **United States Design Patent**
Ping Teoh

(10) **Patent No.:** **US D906,103 S**

(45) **Date of Patent:** **** Dec. 29, 2020**

- (54) **COSMETIC CONTAINER**
- (71) Applicant: **REJI PTE. LTD.**, Singapore (SG)
- (72) Inventor: **Evelyn Ee Ping Teoh**, Singapore (SG)
- (73) Assignee: **REJI PTE. LTD.**, Singapore (SG)
- (**) Term: **15 Years**
- (21) Appl. No.: **35/506,528**
- (22) Filed: **Dec. 7, 2018**

D753,992 S *	4/2016	Shiffer	D9/428
9,340,334 B2 *	5/2016	DeSiena	B65D 21/022
D764,277 S *	8/2016	Irimia	D9/428
D764,871 S *	8/2016	Touchet	D7/587
D766,715 S *	9/2016	Buck	D9/432
D808,794 S *	1/2018	Yessin	D9/425
D809,711 S *	2/2018	Albano	D28/9
D811,212 S *	2/2018	Pickard	D9/425
D824,248 S *	7/2018	Tuchrelo	D9/425
D837,647 S *	1/2019	Tamshe	D9/420
D852,037 S *	6/2019	Lin	D9/425
D857,492 S *	8/2019	Dominion	D9/425
D868,579 S *	12/2019	Wouters	D9/425
D869,088 S *	12/2019	Kesselman	D27/194

* cited by examiner

Primary Examiner — Bao-Yen T Nguyen

(74) *Attorney, Agent, or Firm* — Ladas & Parry LLP

(80) **Hague Agreement Data**

Int. Filing Date: **Dec. 7, 2018**
 Int. Reg. No.: **DM/200437**
 Int. Reg. Date: **Dec. 7, 2018**
 Int. Reg. Pub. Date: **Apr. 5, 2019**

- (51) **LOC (12) Cl.** **09-03**
- (52) **U.S. Cl.**
USPC **D9/428**

(58) **Field of Classification Search**

USPC D9/502, 504, 506, 519, 520, 522, 523,
 D9/526, 529, 530, 549, 553, 556,
 D9/424-428; D28/9
 CPC B65D 1/00; B65D 1/02; B65D 1/0223;
 B65D 1/0261; B65D 1/40; B65D 1/42;
 B65D 1/44; B65D 23/00; B65D 23/102;
 B65D 81/00; B65D 2501/00; B65D
 2501/0009; B65D 2501/0018; B65D
 2501/0036
 See application file for complete search history.

(56) **References Cited**

U.S. PATENT DOCUMENTS

D666,876 S * 9/2012 Rusnak D7/602
 D752,431 S * 3/2016 Bischoff D9/428

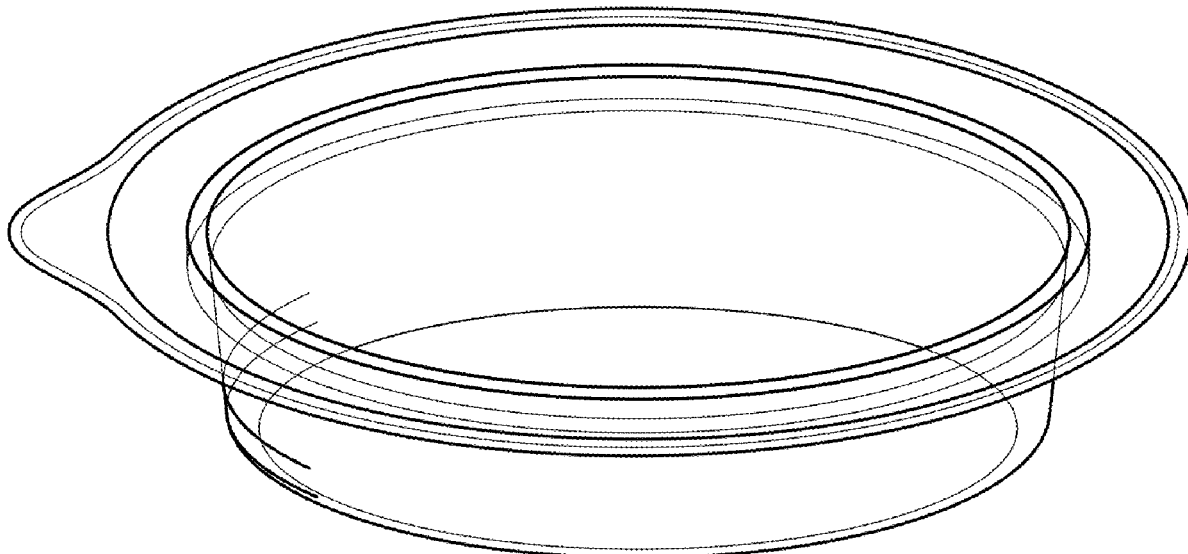
(57) **CLAIM**

The ornamental design for a cosmetic container, as shown and described.

DESCRIPTION

- 1. Cosmetic container
- 1.1: Perspective view (top, bottom, left)
- 1.2: Perspective view (top, bottom, right)
- 1.3: Top view (left)
- 1.4: Top view (right)
- 1.5: Side view (left)
- 1.6: Side view (right)
- 1.7: Bottom view (left)
- 1.8: Bottom view (right)

1 Claim, 8 Drawing Sheets



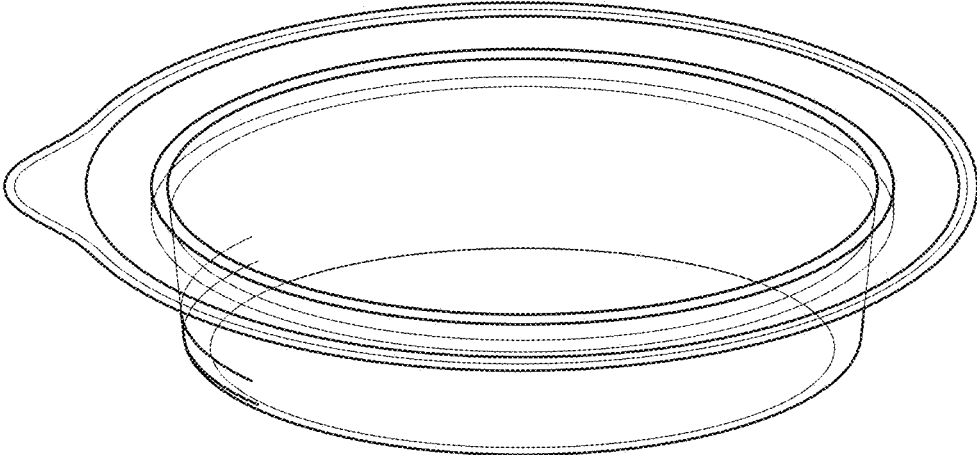


FIG. 1.1

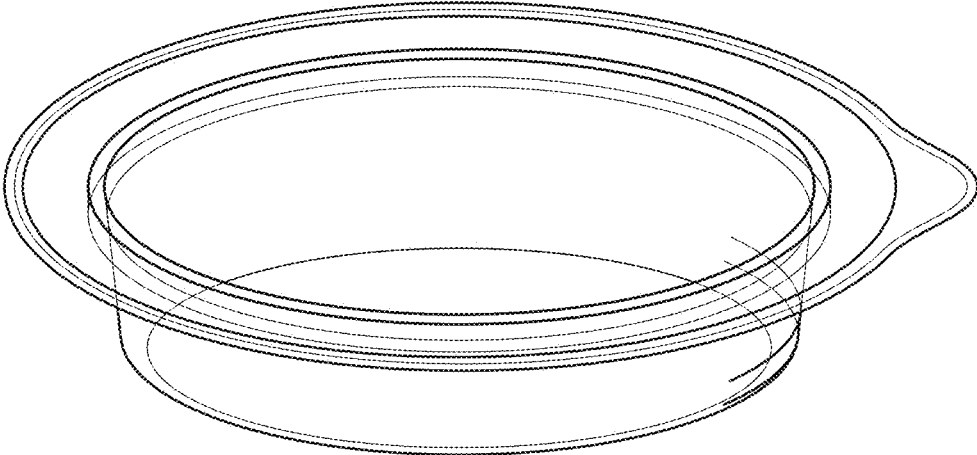


FIG. 1.2

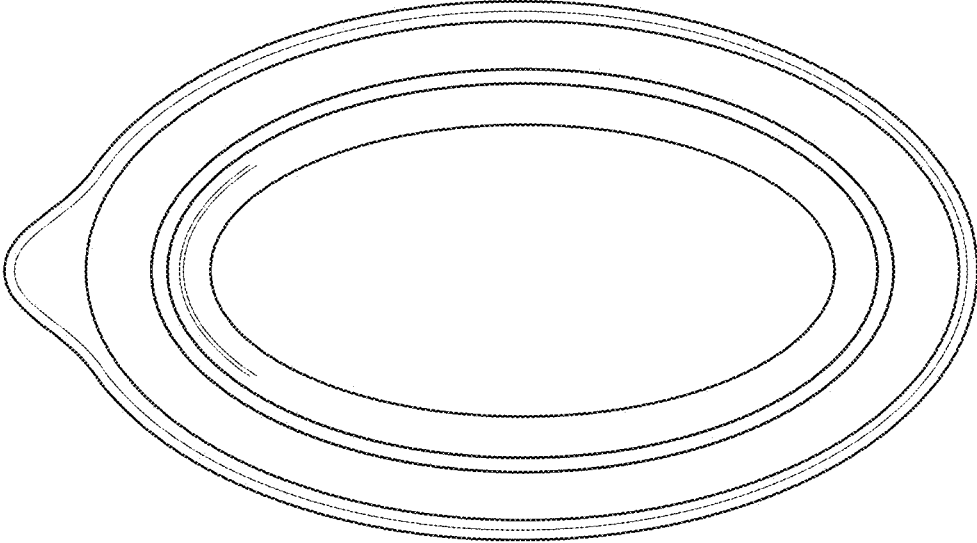


FIG. 1.3

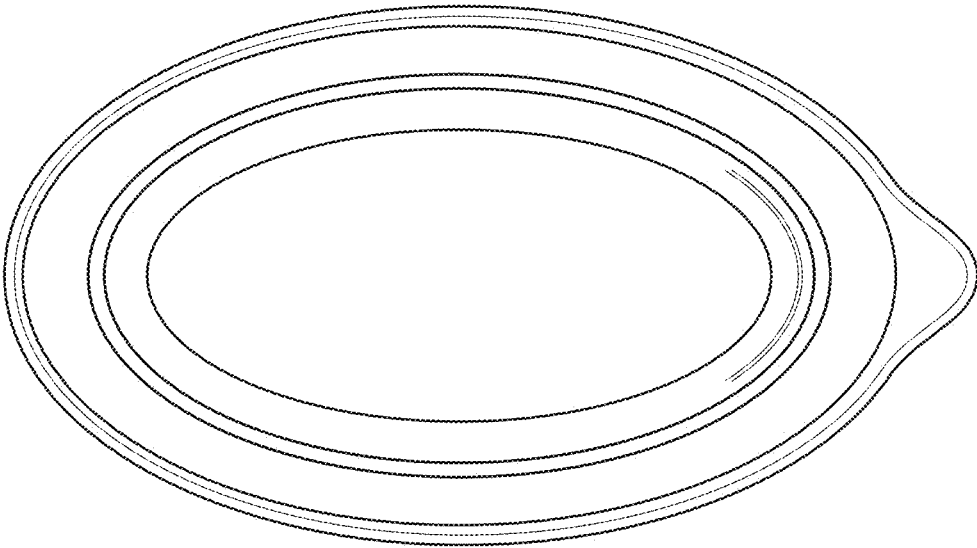


FIG. 1.4

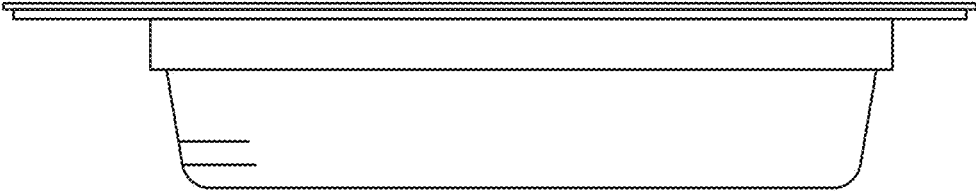


FIG. 1.5

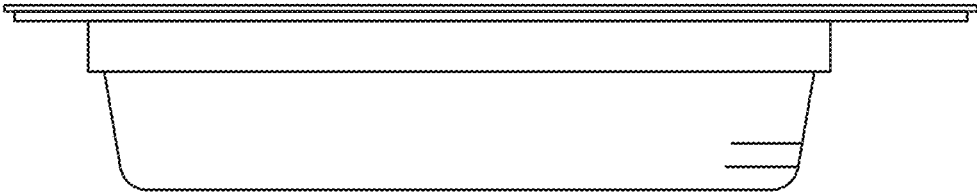


FIG. 1.6

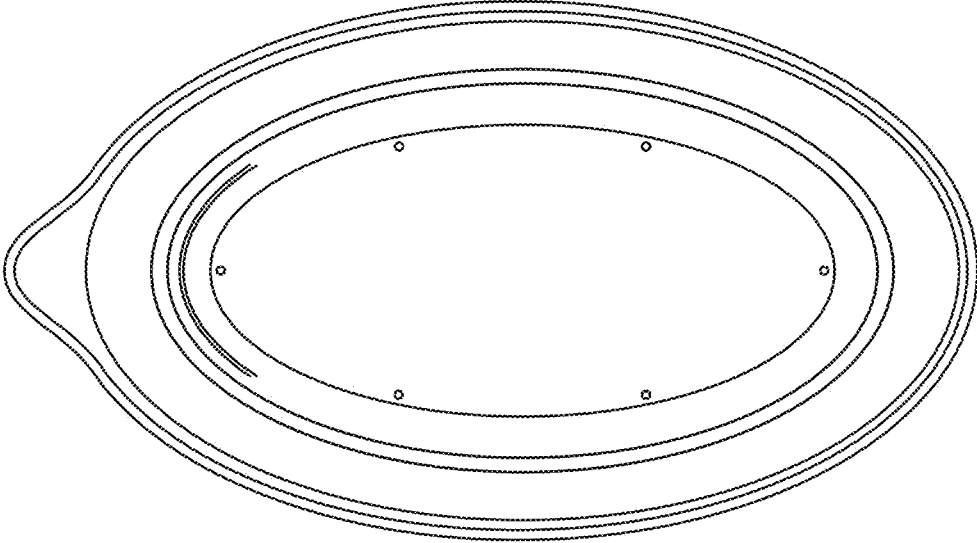


FIG. 1.7

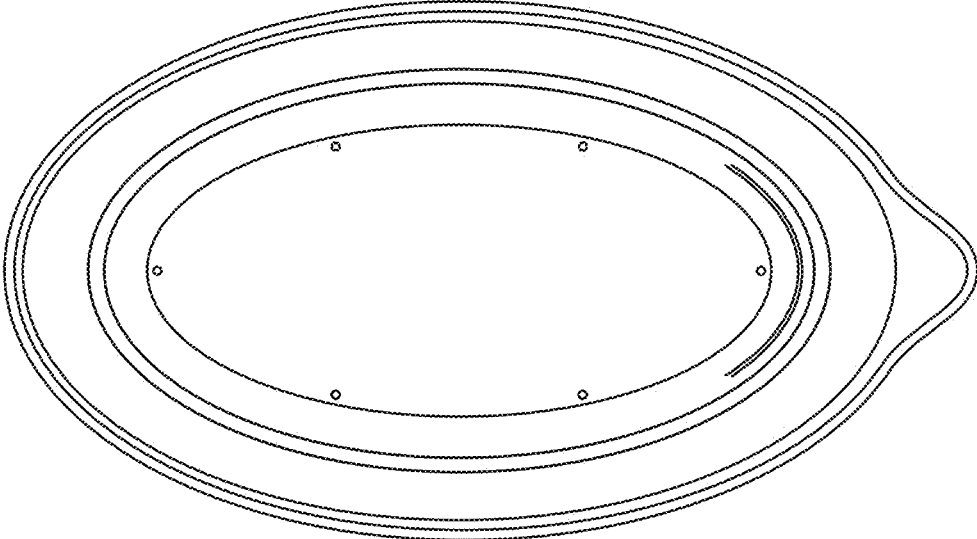


FIG. 1.8