



US00D796243S

(12) **United States Design Patent**  
**Roberts et al.**

(10) **Patent No.:** **US D796,243 S**

(45) **Date of Patent:** **\*\* \*Sep. 5, 2017**

(54) **BEVERAGE CARTRIDGE**  
(71) Applicant: **E. & J. Gallo Winery**, Modesto, CA (US)  
(72) Inventors: **Kimberly Roberts**, San Francisco, CA (US); **Patrick Coyle**, Modesto, CA (US); **Alexander Coriano, III**, Brisbane, CA (US); **Vivian K. Barad**, San Francisco, CA (US); **Thomas Dieter Christian-Overthun**, San Francisco, CA (US); **David Jason Wilkins**, San Francisco, CA (US); **Anthony Peter Patron**, Mountain View, CA (US); **Eben Roy Sargent**, Seattle, WA (US); **Daniel Lawrence Evans**, Oakland, CA (US)

(73) Assignee: **E. & J. Gallo Winery**, Modesto, CA (US)

(\* ) Notice: This patent is subject to a terminal disclaimer.

(\*\*) Term: **15 Years**

(21) Appl. No.: **29/533,273**

(22) Filed: **Jul. 15, 2015**

(51) **LOC (10) Cl.** ..... **07-01**

(52) **U.S. Cl.**  
USPC ..... **D7/313**

(58) **Field of Classification Search**  
USPC ..... D3/202, 212; D7/397, 398, 400, 601, D7/602, 612, 703, 312, 313; D9/414, D9/415, 417, 418, 430, 432-436, D9/455-457, 499  
CPC .. B67D 1/0001; B67D 1/0004; B67D 1/0801; B67D 1/1477  
See application file for complete search history.

(56) **References Cited**

**U.S. PATENT DOCUMENTS**

D199,408 S \* 10/1964 Falske ..... D7/313  
D274,685 S \* 7/1984 Ohmoto ..... D7/313

D356,713 S \* 3/1995 Groover ..... D7/306  
D361,242 S \* 8/1995 Baroudi ..... D7/397  
D408,209 S \* 4/1999 Bhumra ..... D7/312  
D482,229 S \* 11/2003 Essig ..... D7/306  
D593,353 S \* 6/2009 Hoffman ..... D7/306  
D640,891 S \* 7/2011 Smith ..... D7/307  
D718,573 S \* 12/2014 De Pra ..... D7/300  
D756,215 S \* 5/2016 Noguchi ..... D9/417  
D763,619 S \* 8/2016 Girardi ..... D7/306  
2008/0264947 A1 \* 10/2008 Morenstein ..... B65D 43/161  
220/376

**OTHER PUBLICATIONS**

Mpls St Paul. Wine to Go? Get It in the Box. Apr. 1, 2013 [earliest online date], [site visited Oct. 19, 2016]. Available from Internet, <URL:http://mspmag.com/eat-and-drink/wine-to-go-get-it-in-the-box/>.\*

\* cited by examiner

*Primary Examiner* — Robert M Spear

*Assistant Examiner* — Darcey E Heflin

(74) *Attorney, Agent, or Firm* — Steptoe & Johnson LLP

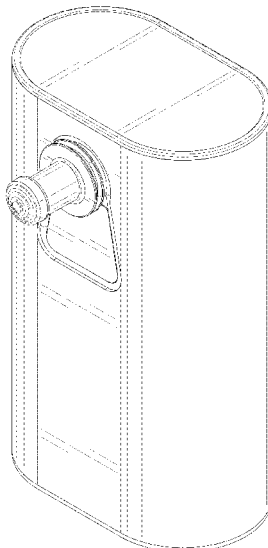
(57) **CLAIM**

We claim the ornamental design for a beverage cartridge, as shown and described.

**DESCRIPTION**

FIG. 1 is a perspective view of a beverage cartridge;  
FIG. 2 is a front view thereof;  
FIG. 3 is a rear view thereof;  
FIG. 4 is a left side view thereof;  
FIG. 5 is a right side view thereof;  
FIG. 6 is a top view thereof; and,  
FIG. 7 is a bottom view thereof.

**1 Claim, 7 Drawing Sheets**



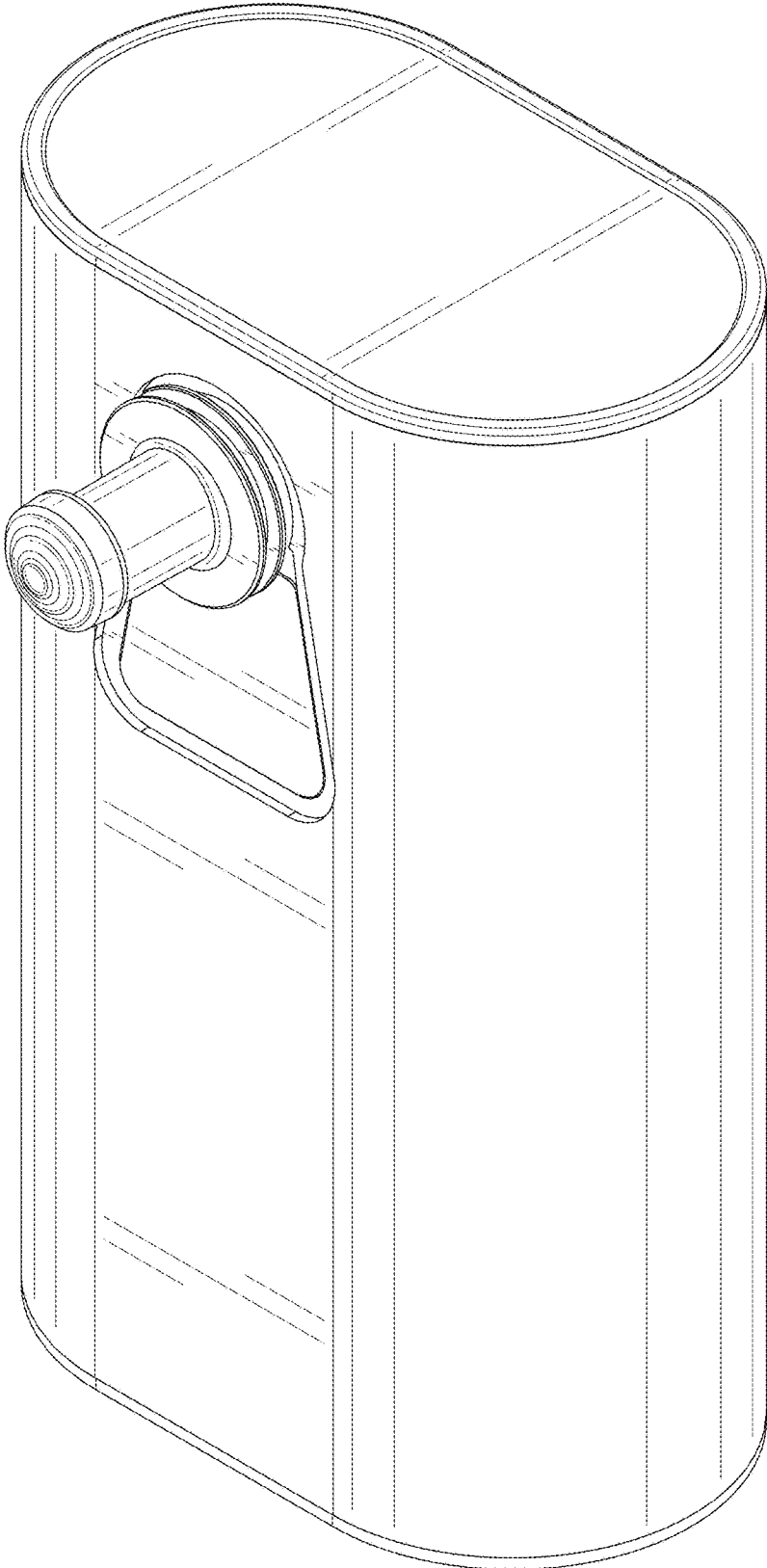


FIG. 1

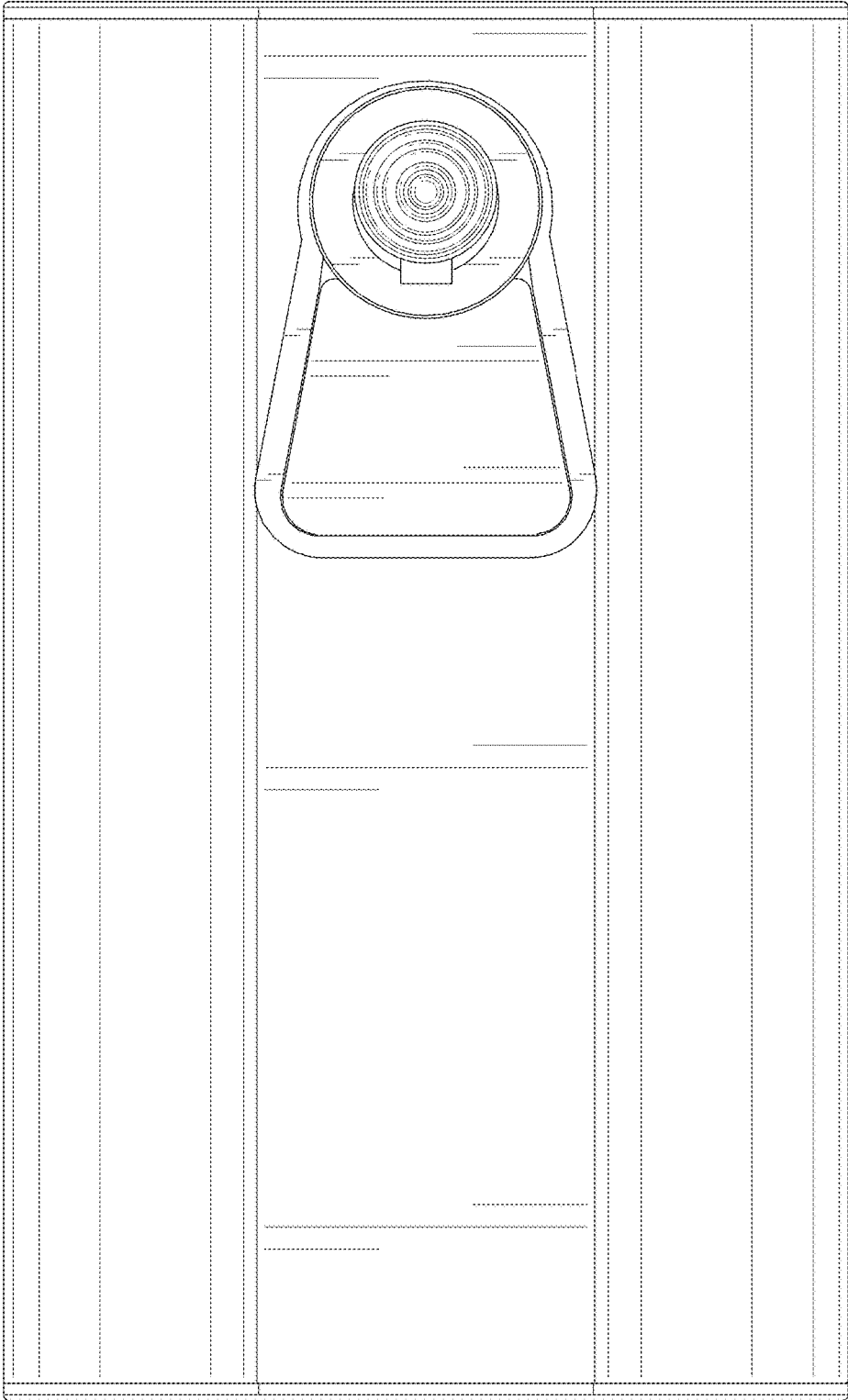


FIG. 2

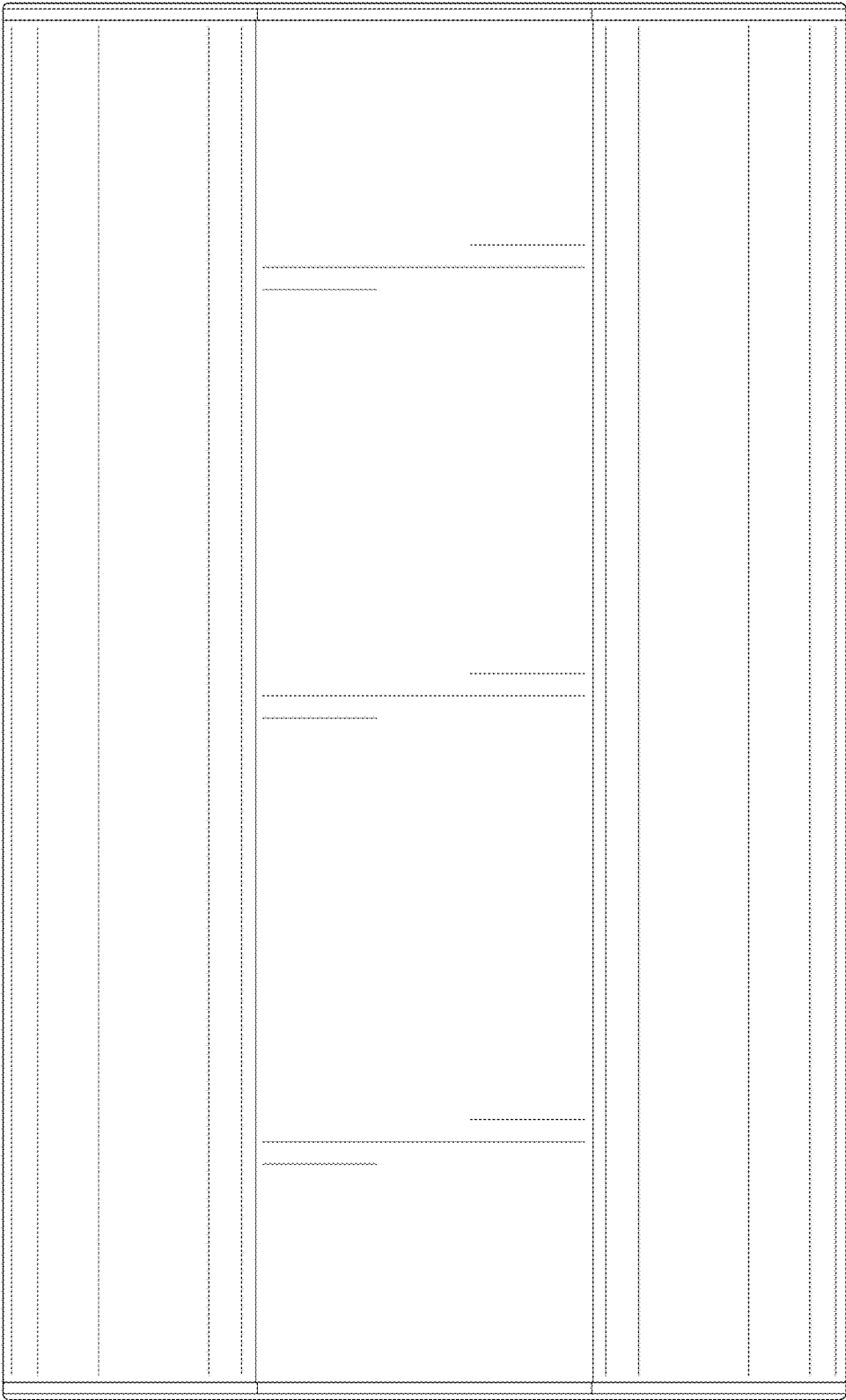


FIG. 3

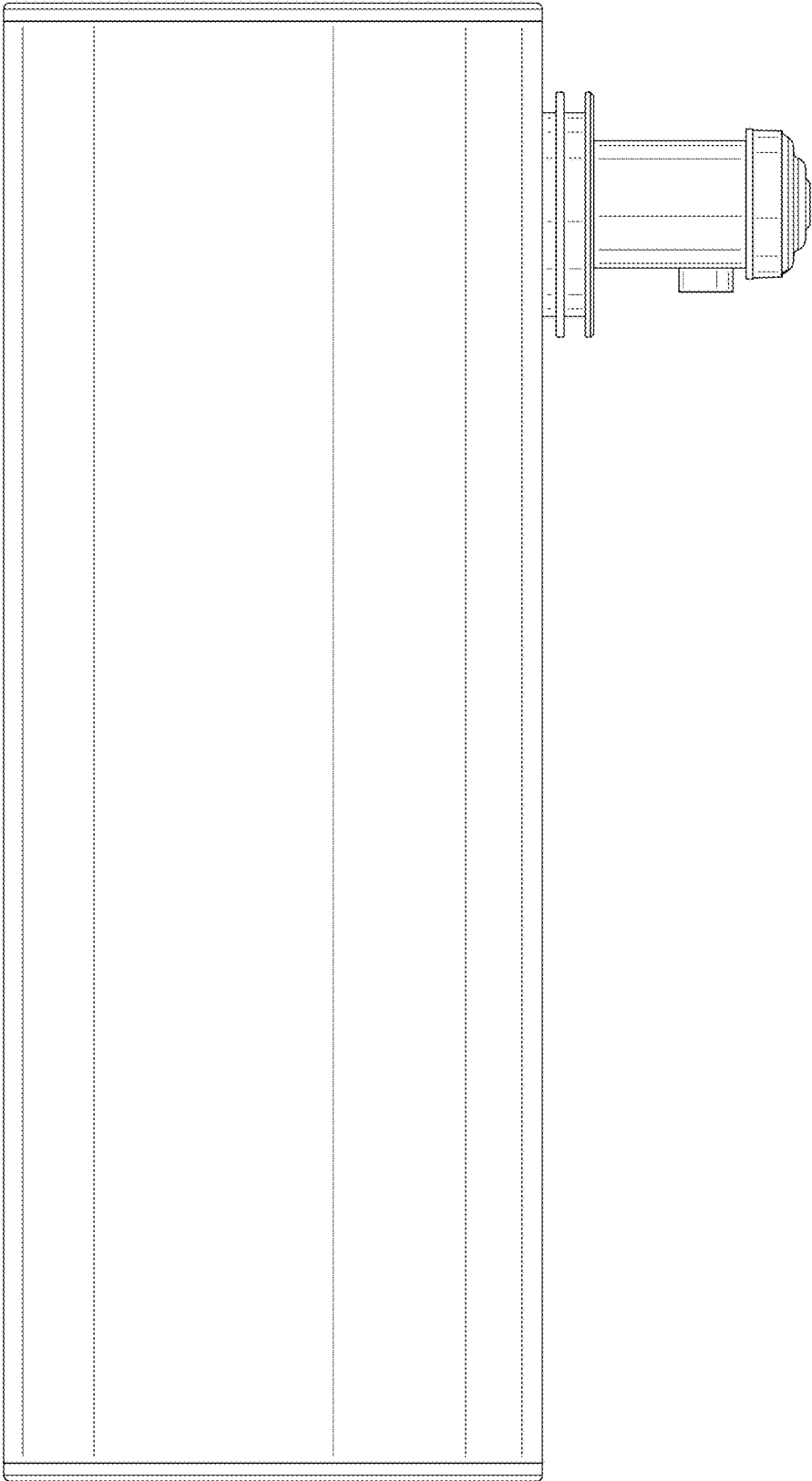


FIG. 4

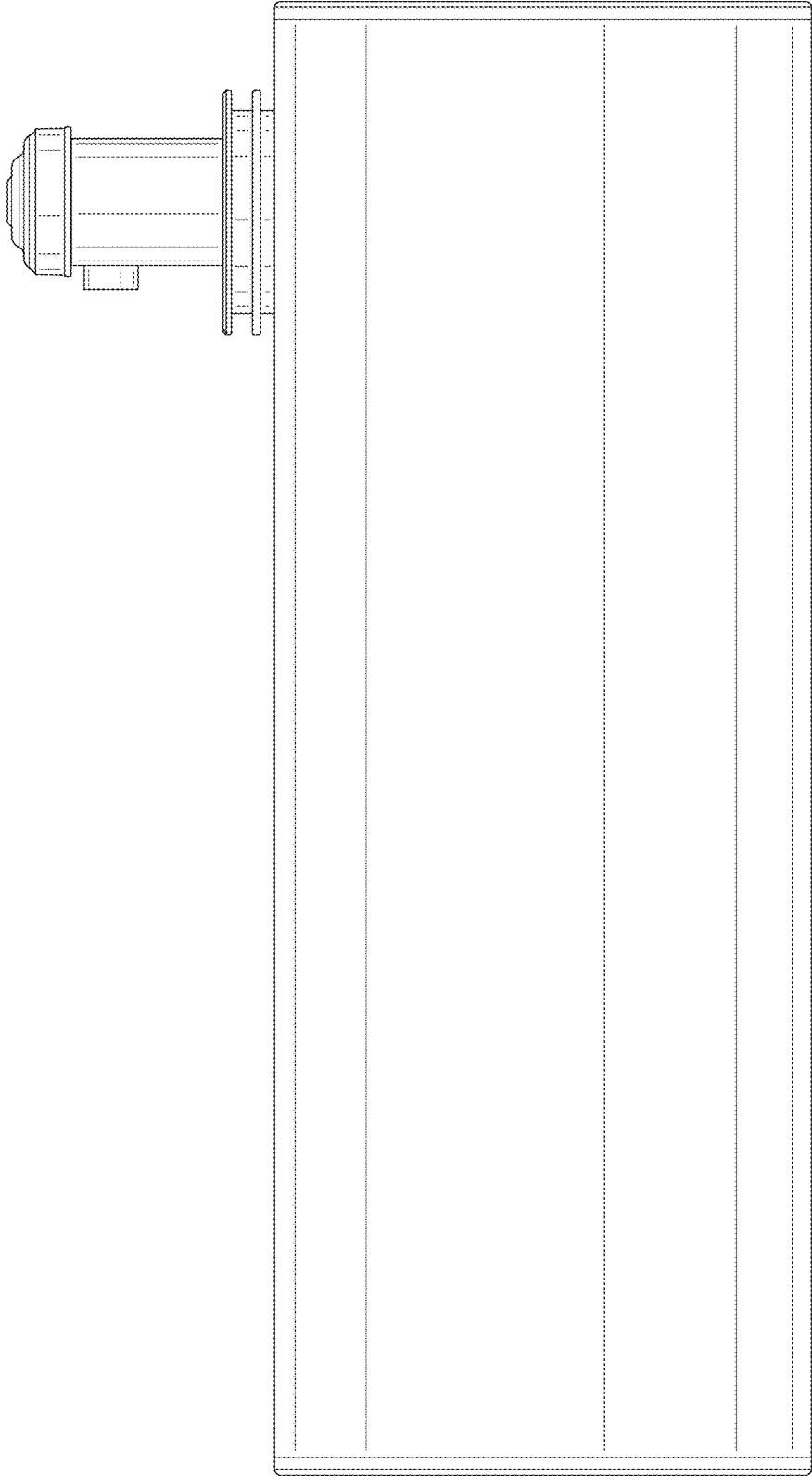


FIG. 5

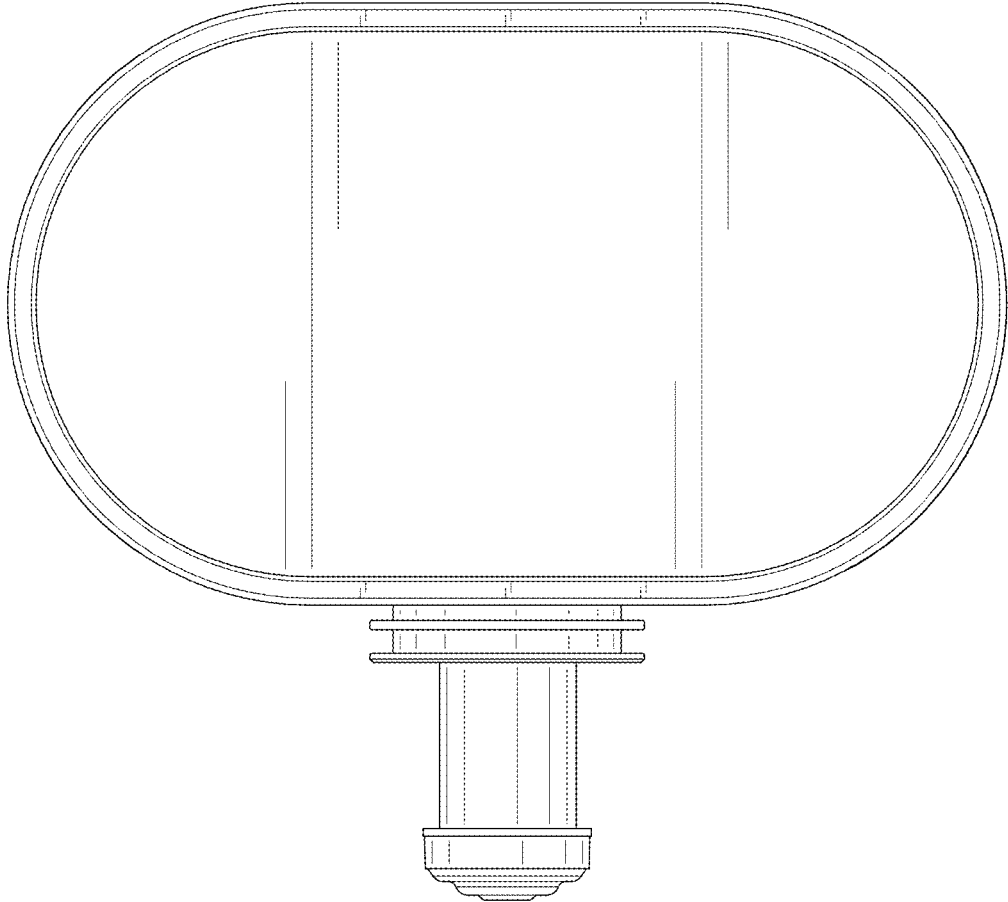


FIG. 6

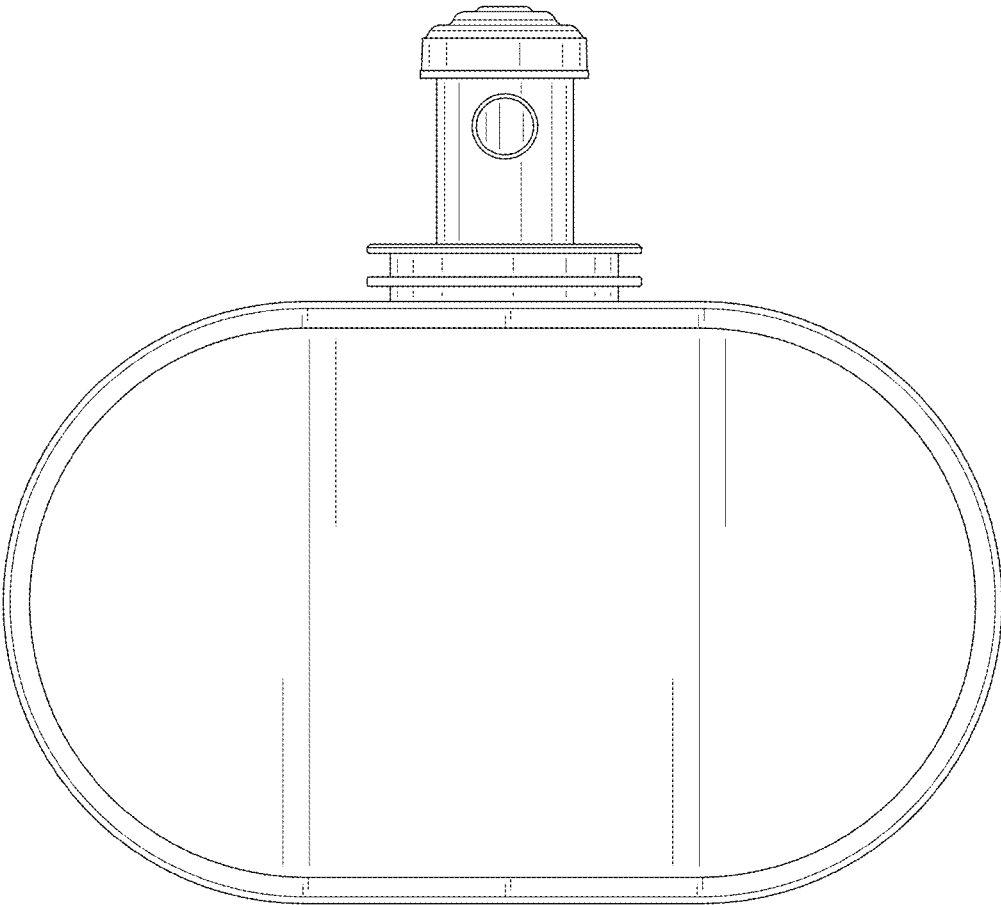


FIG. 7