



US0D1004243S

(12) **United States Design Patent**  
**Cardon et al.**

(10) **Patent No.:** **US D1,004,243 S**

(45) **Date of Patent:** **\*\* Nov. 7, 2023**

- (54) **CONTAINER EDGE HOLDER**
- (71) Applicants: **Stewart Cardon**, Whitefish, MT (US);  
**Kerrie Cardon**, Whitefish, MT (US)
- (72) Inventors: **Stewart Cardon**, Whitefish, MT (US);  
**Kerrie Cardon**, Whitefish, MT (US)

D537,598 S *	2/2007	Moore	.....	D34/10
D682,725 S *	5/2013	Reeder	.....	D11/4
D723,239 S *	2/2015	Raschke	.....	D34/29
D728,184 S *	4/2015	Hoggatt	.....	D34/6
D766,534 S *	9/2016	Stravitz	.....	D34/10
D782,931 S *	4/2017	Takakuwa	.....	D8/394
D797,393 S *	9/2017	Stravitz	.....	D34/10
D815,384 S *	4/2018	Stravitz	.....	D34/10
D862,209 S *	10/2019	Fusi	.....	F16B 45/02
				D8/367
D907,874 S *	1/2021	Cardon	.....	D34/6
2013/0186308 A1 *	7/2013	Cardon	.....	A47B 13/16
				108/26
2015/0173507 A1 *	6/2015	Cardon	.....	A47B 23/046
				108/26

(\*\*) Term: **15 Years**

(21) Appl. No.: **29/754,620**

(22) Filed: **Oct. 13, 2020**

(51) **LOC (14) Cl.** ..... **09-09**

(52) **U.S. Cl.**

USPC ..... **D34/10**

(58) **Field of Classification Search**

USPC ..... D34/5, 6, 10, 11; D7/708.1; D9/434,  
D9/435; D8/33, 98, 349, 367, 382, 383,  
D8/394, 356; D22/147; D21/468  
CPC .. A61H 7/007; A61H 39/04; A61H 201/0028;  
A61H 23/00

See application file for complete search history.

(56) **References Cited**

**U.S. PATENT DOCUMENTS**

4,488,697 A *	12/1984	Garvey	.....	B65F 1/1415
				248/101
4,867,401 A *	9/1989	Graff	.....	B65B 67/12
				D34/5
D344,624 S *	3/1994	Schnel	.....	D2/629
D357,780 S *	4/1995	Breen	.....	D34/10

\* cited by examiner

*Primary Examiner* — Cynthia Ramirez

(74) *Attorney, Agent, or Firm* — Dean A. Craine

(57) **CLAIM**

The ornamental design for a container edge holder, as shown and described.

**DESCRIPTION**

FIG. 1 is a front perspective view of a container edge holder showing our new design.

FIG. 2 is a top plan view thereof.

FIG. 3 is a left-side elevational view thereof.

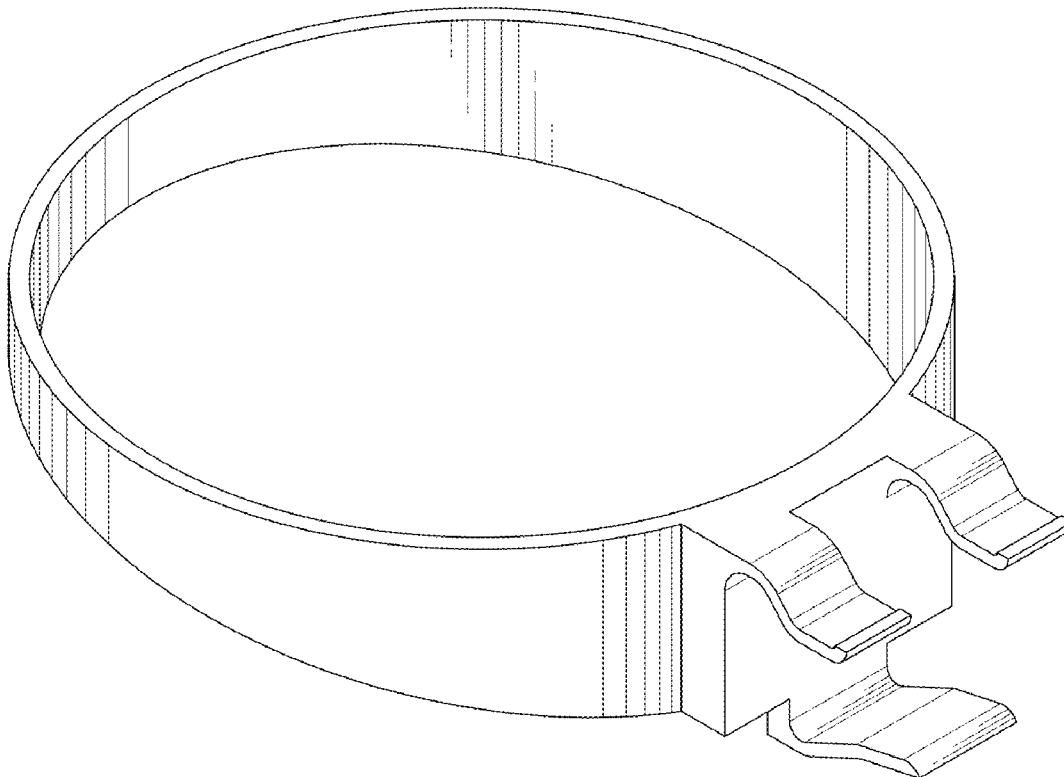
FIG. 4 is a front elevational view thereof.

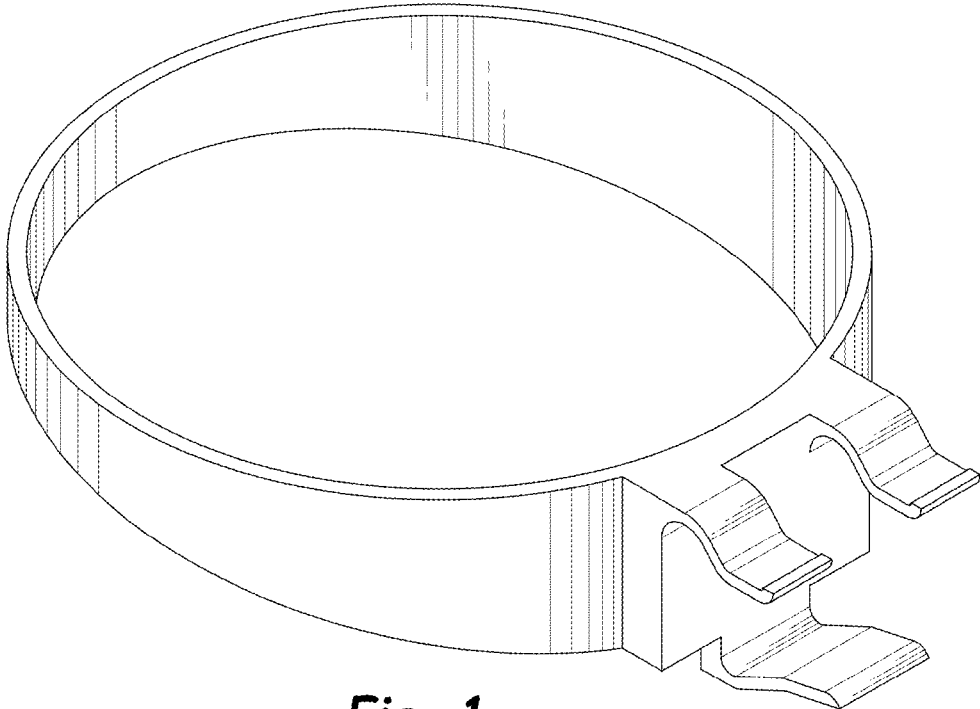
FIG. 5 is a right-side elevational view thereof.

FIG. 6 is a rear elevational view thereof; and,

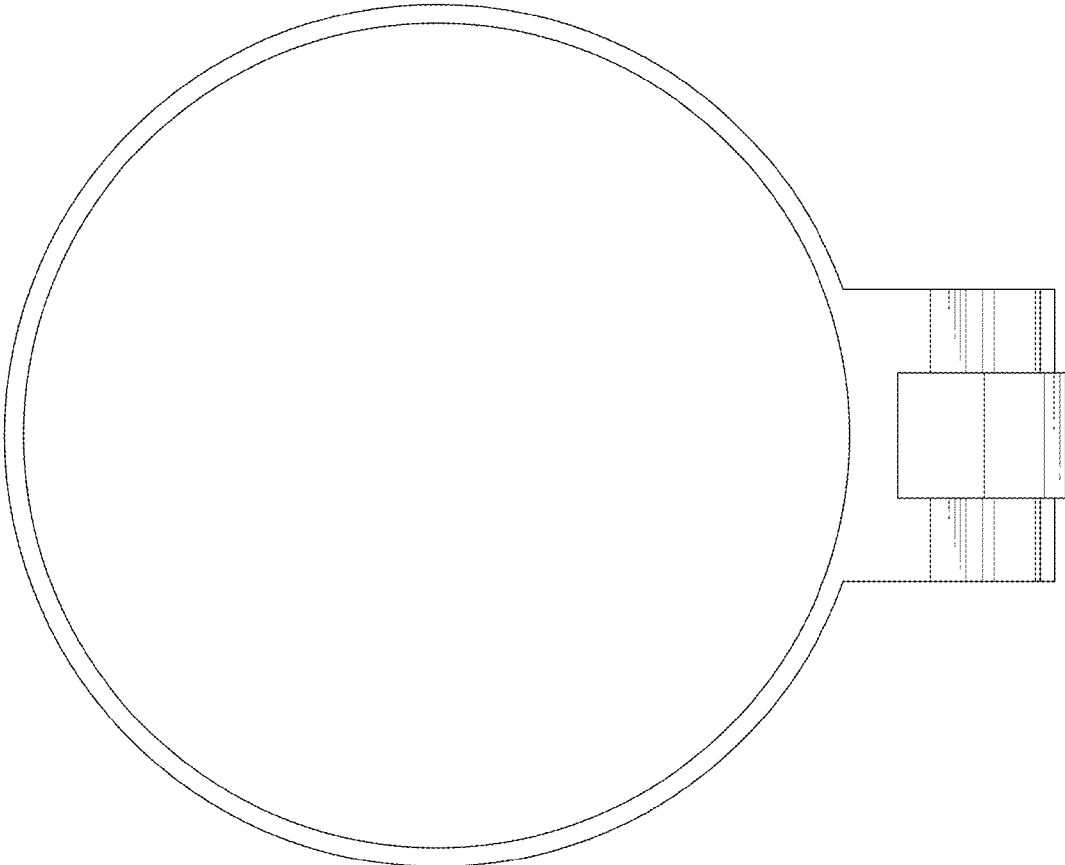
FIG. 7 is a top plan view thereof.

**1 Claim, 3 Drawing Sheets**

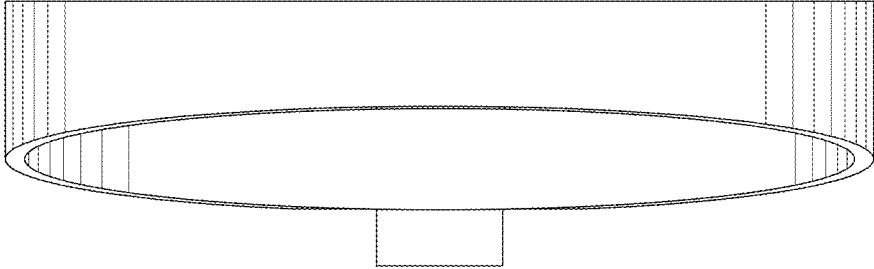




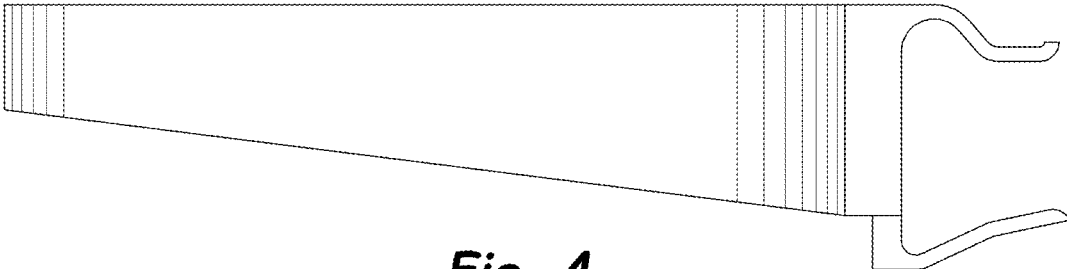
**Fig. 1**



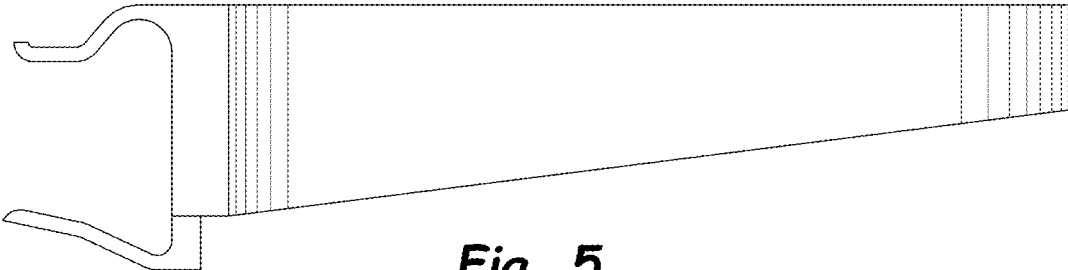
**Fig. 2**



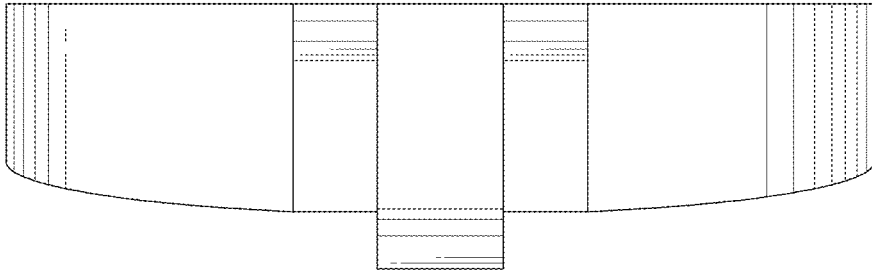
*Fig. 3*



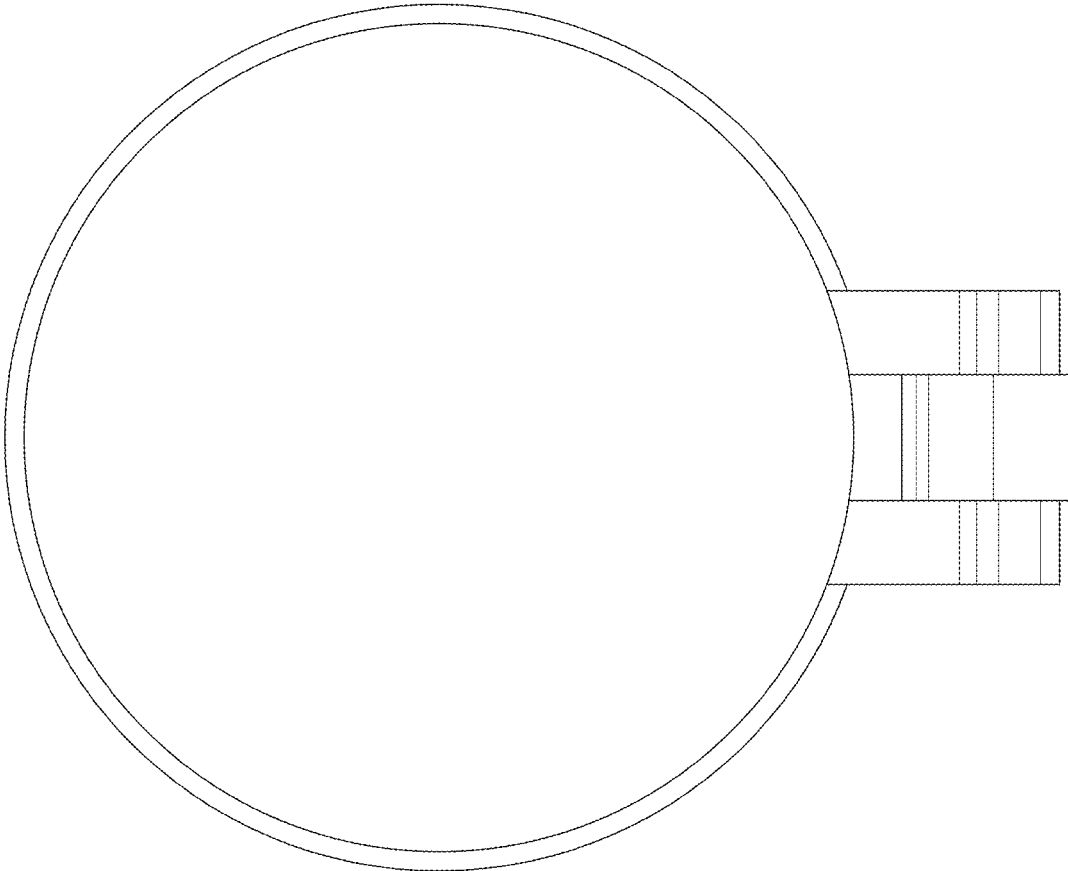
*Fig. 4*



*Fig. 5*



**Fig. 6**



**Fig. 7**