

(19) World Intellectual Property Organization
International Bureau



(43) International Publication Date
9 December 2010 (09.12.2010)

(10) International Publication Number
WO 2010/141552 A3

- (51) **International Patent Classification:**
A47F 1/12 (2006.01)
- (21) **International Application Number:**
PCT/US2010/037026
- (22) **International Filing Date:**
2 June 2010 (02.06.2010)
- (25) **Filing Language:** English
- (26) **Publication Language:** English
- (30) **Priority Data:**
61/183,321 2 June 2009 (02.06.2009) US
- (71) **Applicant (for all designated States except US):** **ROCK-TENN SHARED SERVICES, LLC** [US/US]; 504 Thrasher Street, Norcross, GA 30071 (US).
- (72) **Inventors; and**
- (75) **Inventors/Applicants (for US only):** **LOCKWOOD, Thomas, A.** [US/US]; 1023 Glen Day Drive, Clemmons, NC 27012 (US). **MILLER, Roger, K.** [US/US]; 1043 Rideway Drive, East Bend, NC 27018 (US).
- (74) **Agents:** **PRATT, John, S.** et al.; Kilpatrick Stockton LLP, Suite 2800, 1100 Peachtree Street, Atlanta, GA 30309-4530 (US).

(81) **Designated States (unless otherwise indicated, for every kind of national protection available):** AE, AG, AL, AM, AO, AT, AU, AZ, BA, BB, BG, BH, BR, BW, BY, BZ, CA, CH, CL, CN, CO, CR, CU, CZ, DE, DK, DM, DO, DZ, EC, EE, EG, ES, FI, GB, GD, GE, GH, GM, GT, HN, HR, HU, ID, IL, IN, IS, JP, KE, KG, KM, KN, KP, KR, KZ, LA, LC, LK, LR, LS, LT, LU, LY, MA, MD, ME, MG, MK, MN, MW, MX, MY, MZ, NA, NG, NI, NO, NZ, OM, PE, PG, PH, PL, PT, RO, RS, RU, SC, SD, SE, SG, SK, SL, SM, ST, SV, SY, TH, TJ, TM, TN, TR, TT, TZ, UA, UG, US, UZ, VC, VN, ZA, ZM, ZW.

(84) **Designated States (unless otherwise indicated, for every kind of regional protection available):** ARIPO (BW, GH, GM, KE, LR, LS, MW, MZ, NA, SD, SL, SZ, TZ, UG, ZM, ZW), Eurasian (AM, AZ, BY, KG, KZ, MD, RU, TJ, TM), European (AL, AT, BE, BG, CH, CY, CZ, DE, DK, EE, ES, FI, FR, GB, GR, HR, HU, IE, IS, IT, LT, LU, LV, MC, MK, MT, NL, NO, PL, PT, RO, SE, SI, SK, SM, TR), OAPI (BF, BJ, CF, CG, CI, CM, GA, GN, GQ, GW, ML, MR, NE, SN, TD, TG).

Published:

- with international search report (Art. 21(3))
- before the expiration of the time limit for amending the claims and to be republished in the event of receipt of amendments (Rule 48.2(h))

[Continued on next page]

(54) **Title:** PRODUCT PUSHING DEVICE

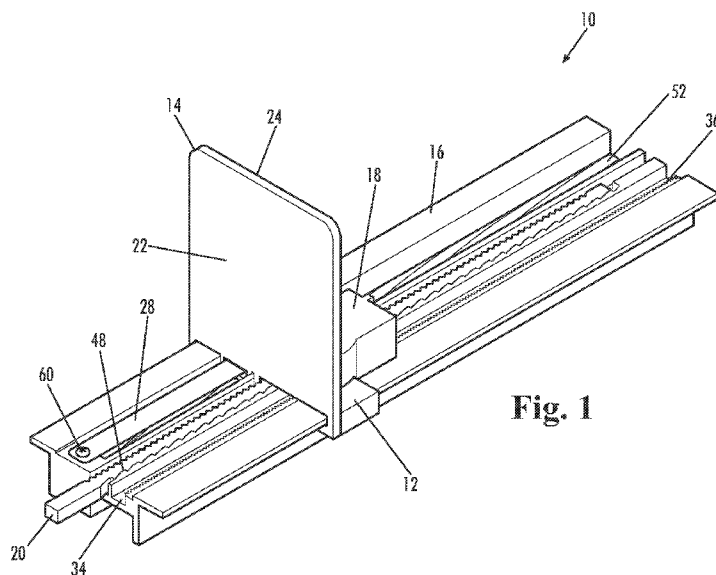


Fig. 1

(57) **Abstract:** A system for controlled advancement of product. Systems of this invention includes a pushing system having a track, a pusher, and an optional resistance mechanism. The resistance mechanism couples to the track and the pusher, controlling forward movement of the pusher along the track and thereby controlling the speed at which product is advanced for access by the consumer. Certain embodiments of the invention include additional mechanisms to further limit the forward progression of the pusher along the track, such as a stop mechanism or an indexing mechanism.

(88) Date of publication of the international search report:
27 January 2011

INTERNATIONAL SEARCH REPORT

International application No
PCT/US2010/037026A. CLASSIFICATION OF SUBJECT MATTER
INV. A47F1/12

According to International Patent Classification (IPC) or to both national classification and IPC

B. FIELDS SEARCHED

Minimum documentation searched (classification system followed by classification symbols)
A47F

Documentation searched other than minimum documentation to the extent that such documents are included in the fields searched

Electronic data base consulted during the international search (name of data base and, where practical, search terms used)

EPO-Internal

C. DOCUMENTS CONSIDERED TO BE RELEVANT

Category*	Citation of document, with indication, where appropriate, of the relevant passages	Relevant to claim No.
A	US 7 458 473 B1 (MASON TIMOTHY L [US]) 2 December 2008 (2008-12-02) the whole document	1,3-8, 13-25
A	EP 1 579 789 A1 (KESSEBOEHMER KG [DE]) 28 September 2005 (2005-09-28) the whole document	1,3-8, 13-25
A	US 5 450 969 A (JOHNSON TERRY [US] ET AL) 19 September 1995 (1995-09-19) the whole document	1,3-8, 13-25

 Further documents are listed in the continuation of Box C. See patent family annex.

* Special categories of cited documents :

"A" document defining the general state of the art which is not considered to be of particular relevance

"E" earlier document but published on or after the international filing date

"L" document which may throw doubts on priority claim(s) or which is cited to establish the publication date of another citation or other special reason (as specified)

"O" document referring to an oral disclosure, use, exhibition or other means

"P" document published prior to the international filing date but later than the priority date claimed

"T" later document published after the international filing date or priority date and not in conflict with the application but cited to understand the principle or theory underlying the invention

"X" document of particular relevance; the claimed invention cannot be considered novel or cannot be considered to involve an inventive step when the document is taken alone

"Y" document of particular relevance; the claimed invention cannot be considered to involve an inventive step when the document is combined with one or more other such documents, such combination being obvious to a person skilled in the art.

"&" document member of the same patent family

Date of the actual completion of the international search

12 August 2010

Date of mailing of the international search report

26/11/2010

Name and mailing address of the ISA/

European Patent Office, P.B. 5818 Patentlaan 2
NL - 2280 HV Rijswijk
Tel. (+31-70) 340-2040,
Fax: (+31-70) 340-3016

Authorized officer

Cardan, Cosmin

INTERNATIONAL SEARCH REPORT

International application No.
PCT/US2010/037026

Box No. II Observations where certain claims were found unsearchable (Continuation of item 2 of first sheet)

This international search report has not been established in respect of certain claims under Article 17(2)(a) for the following reasons:

1. Claims Nos.:
because they relate to subject matter not required to be searched by this Authority, namely:

2. Claims Nos.:
because they relate to parts of the international application that do not comply with the prescribed requirements to such an extent that no meaningful international search can be carried out, specifically:

3. Claims Nos.:
because they are dependent claims and are not drafted in accordance with the second and third sentences of Rule 6.4(a).

Box No. III Observations where unity of invention is lacking (Continuation of item 3 of first sheet)

This International Searching Authority found multiple inventions in this international application, as follows:

see additional sheet

1. As all required additional search fees were timely paid by the applicant, this international search report covers all searchable claims.

2. As all searchable claims could be searched without effort justifying an additional fees, this Authority did not invite payment of additional fees.

3. As only some of the required additional search fees were timely paid by the applicant, this international search report covers only those claims for which fees were paid, specifically claims Nos.:

4. No required additional search fees were timely paid by the applicant. Consequently, this international search report is restricted to the invention first mentioned in the claims; it is covered by claims Nos.:

1, 3-8, 13, 14, 16-25

Remark on Protest

- The additional search fees were accompanied by the applicant's protest and, where applicable, the payment of a protest fee.
- The additional search fees were accompanied by the applicant's protest but the applicable protest fee was not paid within the time limit specified in the invitation.
- No protest accompanied the payment of additional search fees.

FURTHER INFORMATION CONTINUED FROM PCT/ISA/ 210

This International Searching Authority found multiple (groups of) inventions in this international application, as follows:

1. claims: 1, 3-8, 13, 14, 16-25

the subject-matter disclosed in the first group relates to a spring biased pusher device for products which is stoppable/lockable

2. claims: 2, 9, 13, 15, 20, 26(all partially)

the subject-matter of the second group relates to a spring biased pushing device for products having a damping device for restricting the forward speed caused by the spring

3. claims: 27-29(partially)

the subject-matter of the third group relates to a spring biased pushin device for products having an indexing system

INTERNATIONAL SEARCH REPORT

Information on patent family members

International application No

PCT/US2010/037026

Patent document cited in search report	Publication date	Patent family member(s)	Publication date
US 7458473	B1	02-12-2008	NONE
EP 1579789	A1	28-09-2005	DE 202004004764 U1 01-09-2005
US 5450969	A	19-09-1995	NONE