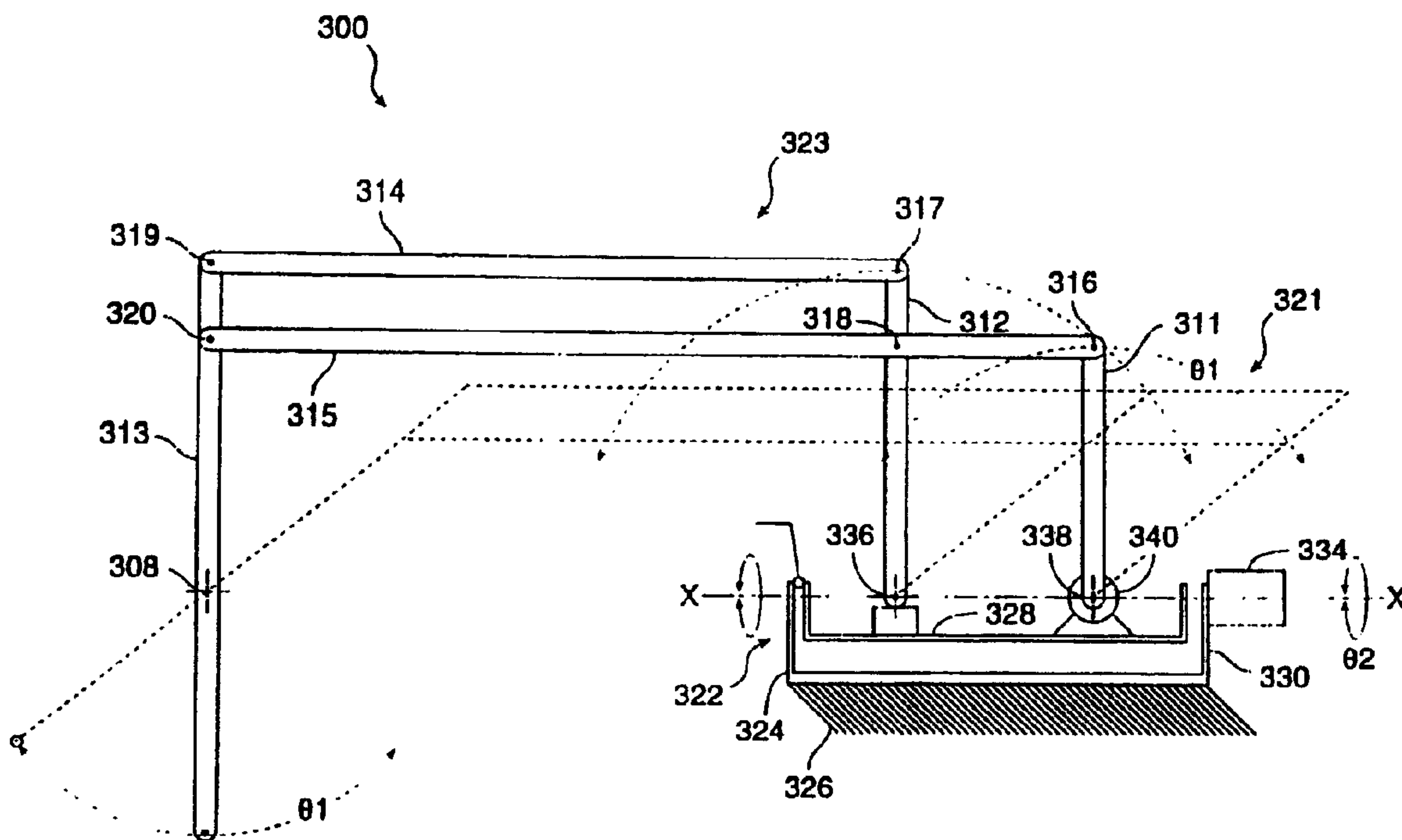




(22) Date de dépôt/Filing Date: 1996/06/05  
 (41) Mise à la disp. pub./Open to Public Insp.: 1996/12/19  
 (45) Date de délivrance/Issue Date: 2014/01/21  
 (62) Demande originale/Original Application: 2 634 141  
 (30) Priorités/Priorities: 1995/06/07 (US08/487,020);  
 1995/06/07 (US08/485,587)

(51) Cl.Int./Int.Cl. *A61B 19/00* (2006.01),  
*B25J 1/12* (2006.01), *B25J 15/04* (2006.01)  
 (72) Inventeurs/Inventors:  
 JENSEN, JOEL F., US;  
 HILL, JOHN W., US  
 (73) Propriétaire/Owner:  
 SRI INTERNATIONAL, US  
 (74) Agent: GOWLING LAFLEUR HENDERSON LLP

(54) Titre : MANIPULATEUR CHIRURGICAL POUR UN SYSTEME DE TELEROBOTIQUE  
 (54) Title: SURGICAL MANIPULATOR FOR A TELEROBOTIC SYSTEM



(57) Abrégé/Abstract:

The invention is directed to manipulator assembly (2) for holding and manipulating a surgical instrument (14) in a telerobotic system. The manipulator assembly includes an instrument holder removably coupled to a drive assembly so that the holder can be sterilized. The assembly further includes a force sensing element (52) mounted distal to the holder and the drive assembly for detecting forces exerted on the surgical instrument and providing feedback to the surgeon. The invention is also directed to a system and method for releasably holding a surgical instrument (14). The system includes an instrument support for automatically locking mounting pins on the instrument within locking slots on the instrument holder to releasably couple the instrument to the holder. With a twist-lock motion, the surgeon can rapidly engage and disengage various instruments from the holder during a surgical procedure, such as open surgery, laparoscopy or thoracoscopy.



**ABSTRACT**

The invention is directed to manipulator assembly (2) for holding and manipulating a surgical instrument (14) in a telerobotic system. The manipulator assembly includes an instrument holder removably coupled to a drive assembly so that the holder can be sterilized. The assembly further includes a force sensing element (52) mounted distal to the holder and the drive assembly for detecting forces exerted on the surgical instrument and providing feedback to the surgeon. The invention is also directed to a system and method for releasably holding a surgical instrument (14). The system includes an instrument support for automatically locking mounting pins on the instrument within locking slots on the instrument holder to releasably couple the instrument to the holder. With a twist-lock motion, the surgeon can rapidly engage and disengage various instruments from the holder during a surgical procedure, such as open surgery, laparoscopy or thoracoscopy.

## SURGICAL MANIPULATOR FOR A TELEROBOTIC SYSTEM

5

## BACKGROUND OF THE INVENTION

This invention relates to surgical manipulators and more particularly to robotically-assisted apparatus for use in surgery.

10

In standard laparoscopic surgery, a patient's abdomen is insufflated with gas, and trocar sleeves are passed through small (approximately 1/2 inch) incisions to provide entry ports for laparoscopic surgical instruments. The laparoscopic surgical instruments generally include a laparoscope for viewing the surgical field, and working tools such as clamps, graspers, scissors, staplers, and needle holders. The working tools are similar to those used in conventional (open) surgery, except that the working end of each tool is separated from its handle by an approximately 12-inch long extension tube. To perform surgical procedures, the surgeon passes instruments through the trocar sleeves and manipulates them inside the abdomen by sliding them in and out through the sleeves, rotating them in the sleeves, levering (i.e., pivoting) the sleeves in the abdominal wall and actuating end effectors on the distal end of the instruments.

20

In robotically-assisted and telerobotic surgery (both open and endoscopic procedures), the position of the surgical instruments is controlled by servo motors rather than directly by hand or with fixed clamps. The servo motors follow the motions of a surgeon's hands as he/she manipulates input control devices and views the operation via a displayed image from a location that may be remote from the patient. The servo motors are typically part of an electromechanical device or surgical manipulator that supports and controls the surgical instruments that have been introduced directly into an open surgical site or through trocar sleeves into a body cavity, such as the patient's abdomen. During the operation, the surgical manipulator provides mechanical actuation and

30

35

control of a variety of surgical instruments, such as tissue graspers, needle drivers, etc, that each perform various functions for the surgeon, i.e., holding or driving a needle, grasping a blood vessel or dissecting tissue.

5           This new method of performing telesurgery through remote manipulation will create many new challenges. One such challenge is transmitting position, force, and tactile sensations from the surgical instrument back to the surgeon's hands as he/she operates the telerobotic system. Unlike other  
10 techniques of remote manipulation, telesurgery can give the surgeon the feeling that he/she is manipulating the surgical instruments directly by hand. For example, when the instrument engages a tissue structure or organ within the patient, the system should be capable of detecting the  
15 reaction force against the instrument and transmitting this force to the input control devices. In this manner, the surgeon can see the instrument contacting the tissue structure on the displayed image and directly feel the pressure from this contact on the input control devices. Providing the  
20 appropriate feedback, however, can be problematic because of other forces acting on the system, such as friction within the telerobotic mechanisms, gravity and inertial forces acting on the surgical manipulator or forces exerted on a trocar sleeve by the surgical incision.

25           In addition, to enable effective telesurgery, the manipulator must be highly responsive and must be able to accurately follow even the most rapid hand motions that a surgeon frequently uses in performing surgical procedures. To  
30 achieve this rapid and responsive performance, a telerobotic servo system must be designed to have an appropriately high servo bandwidth which requires that the manipulator be designed to have low inertia and to employ drive motors with relatively low ratio gear or pulley couplings.

35           Another challenge with telesurgery results from the fact that a portion of the electromechanical surgical manipulator will be in direct contact with the surgical instruments, and will also be positioned adjacent the operation site. Accordingly, the surgical manipulator may

become contaminated during surgery and is typically disposed of or sterilized between operations. Of course, from a cost perspective, it would be preferable to sterilize the device. However, the servo motors, sensors and electrical connections that are necessary to robotically control, the motors typically cannot be sterilized using conventional methods, e.g., steam, heat and pressure or chemicals, because they would be damaged or destroyed in the sterilization process.

Yet another challenge is that different surgical instruments will be attached and detached from the same instrument holder a number of times during an operation. In laparoscopic procedures, for example, the number of entry ports into the patient's abdomen is generally limited during the operation because of space constraints as well as a desire to avoid unnecessary incisions in the patient. Thus, a number of different surgical instruments will typically be introduced through the same trocar sleeve during the operation. Likewise, in open surgery, there is typically not enough room around the surgical site to position more than one or two surgical manipulators, and so the surgeon's assistant will be compelled to frequently remove instruments from the holder and exchange them with other surgical tools.

What is needed, therefore, is a system and method for holding and manipulating surgical instruments by remote control and for releasably coupling a surgical instrument to an instrument holder. The apparatus should be configured for easy sterilization so that it can be reused after it has been contaminated during an operation. The apparatus should be further capable of providing the surgeon with the appropriate feedback from forces transmitted to and from the surgical instrument during the telerobotic operation and it should be configured to compensate for gravitational forces acting on the apparatus so that these forces are not felt by the surgeon. In addition, the apparatus must be highly responsive and must be able to accurately follow even the most rapid hand motions that a surgeon frequently uses in performing surgical procedures. It would further be desirable to provide a system configured to quickly and easily engage and disengage

the instrument from the holder to minimize the instrument exchange time during endoscopic surgery.

5

#### SUMMARY OF THE INVENTION

According to the invention, an apparatus and method is provided for releasably holding and manipulating a surgical instrument during conventional open surgery or endoscopic procedures, such as laparoscopy. The apparatus includes a manipulator assembly having an instrument holder removably coupled to a drive assembly so that the holder can be sterilized. The assembly further includes a force sensing element mounted distal to the holder and the drive assembly for detecting forces exerted on the surgical instrument and providing feedback to the surgeon. The invention is also directed to a system and method for releasably holding a surgical instrument. The system includes an instrument support for automatically locking mounting pins on the instrument within locking slots on the instrument holder to releasably couple the instrument to the holder. With a twist-lock motion, the surgeon can rapidly engage and disengage various instruments from the holder during a surgical procedure, such as open surgery, laparoscopy or thoracoscopy.

In one aspect of the invention, the apparatus comprises a support base fixable by means of various passive or power driven positioning devices to a surface, such as an operating table, and an instrument holder movably mounted on the base. The instrument holder comprises a body and an instrument support movably coupled to the body and having an interface engageable with the surgical instrument to releasably mount the instrument to the instrument holder. A drive assembly is operatively coupled to the instrument holder for providing the instrument with at least two degrees of freedom. The drive assembly includes a first drive for moving the instrument support and a second drive for moving the instrument holder relative to the support base. The apparatus includes means for removably coupling the instrument holder from the base and the drive assembly so that the holder can be

separated from the rest of the device and sterilized after a surgical procedure.

In a specific configuration, the support base includes a frame with distal and proximal support members and a pair of shafts rotatably mounted within the support members. The instrument holder is slidably mounted on the support shafts for axial movement of the instrument. In addition, the shafts are each coupled to a drive motor for providing the instrument with second and third degrees of freedom, e.g., rotation and end effector actuation. The drive motors are coupled to the proximal support member so that they will not be contaminated during surgery. The rotatable shafts can be removed by sliding them upward and out of engagement with their lower bearings and the instrument holder so that the instrument holder can be easily removed from the support base for sterilization. The lower portion of the support base (including the distal support member) may also be sterilized to decontaminate those parts that have contacted the instrument holder. In this manner, the surgical manipulator can be easily sterilized after a surgical procedure without damaging the servo motors or the electrical connections required for the telerobotic system.

The support base further comprises a sleeve, such as a cannula or trocar sleeve, mounted on the distal support member. The sleeve has an axial passage for receiving the instrument therethrough and a force sensing element mounted within the axial passage near the distal end of the sleeve. The force sensing element is configured to detect lateral forces exerted on the element by the distal portion of the instrument during surgery. Since the force sensing element is mounted distal to the remainder of the apparatus, it is undisturbed by forces that may be exerted on the cannula by the surgical incision or by gravity and inertial forces that act on the instrument holder. When supported by a positioning device, the surgical manipulator can be used with an inclinometer to determine the true orientation of the instrument holder with respect to the direction of the local gravitational field. Use of the inclinometer and force

sensors with the manipulator facilitates the design of a telerobotic system in which the surgeon will directly sense the forces acting against the end of the instrument, unaffected by extraneous forces acting on the telerobotic mechanism. In other words, the surgeon will feel as if his/her hands are holding the instrument at the point in which the instrument contacts the force sensing element.

The invention is particularly useful for holding and manipulating a surgical instrument having an end effector, such as a pair of jaws, coupled to the distal end of the instrument shaft. To that end, the instrument holder further includes an actuator driver having an interface engageable with an end effector actuator on the instrument. The actuator driver includes a coupling that connects the driver to the drive assembly for axially moving a portion of the driver relative to the support base, thereby actuating the end effector of the instrument. In a preferred configuration, the coupling is a concentric helical actuator that translates rotation from a drive motor into axial movement of the end effector actuator. Because of the symmetrical design of the helical actuator, the actuation force applied by the drive motor will not generate any effective side loads on the instrument, which avoids frictional coupling with other degrees of freedom such as axial movement and rotation of the instrument.

In another aspect of the invention, the instrument comprises an elongate shaft with proximal and distal ends and a mounting means having a protrusion extending radially from the shaft between the proximal and distal ends. An instrument holder comprises a support having a body with an axial passage for receiving the instrument shaft and a first hole in communication with the axial passage for receiving the protrusion. A second hole is cut into the body transversely to and in communication with the first hole so that the protrusion can be rotated within the second hole. To prevent the instrument from being accidentally twisted and thereby disengaged from the instrument holder during surgery, the holder further includes a locking means coupled to the body

for automatically locking the protrusion within the second hole thereby releasably locking the instrument to the instrument holder.

5 In a preferred configuration, the protrusion of the mounting means comprises a pair of opposing arms, such as mounting pins, extending outward from the instrument shaft. The first hole is an axially extending slot for receiving the mounting pins and the second hole is a perpendicular locking slot having a first portion aligned with the axial slot and a  
10 second portion extending circumferentially around the body of the instrument support. With this configuration, the mounting pins can be slid through the axial slot and rotated into the locking slot to attach the instrument to the holder. The instrument can be removed by performing the same two steps in  
15 reverse order. With this twist-lock motion, the surgeon can rapidly engage and disengage various instruments from the instrument holder during a surgical procedure.

The locking means preferably comprises a releasable latch assembly for locking the mounting pins to the instrument  
20 holder. The latch assembly includes a spring-loaded plunger coupled to a latch that normally locks the instrument in place by capturing the mounting pin in the locking slot. The plunger has a button extending outward from the instrument holder for moving the latch away from the locking slot. The  
25 button can be depressed manually or automatically to release the mounting pins and allow instrument exchange when the instrument is easily accessible to the surgeon.

• The invention is particularly useful for releasably holding an endoscopic instrument configured for introduction  
30 through a small percutaneous penetration into a body cavity, e.g., the abdominal or thoracic cavity. To that end, the instrument preferably includes an end effector, such as a pair of jaws, coupled to the distal end for engaging a tissue structure within the body cavity. To actuate the end  
35 effector, the instrument has a second pair of arms, such as actuator pins, laterally extending from the shaft and operatively coupled to the end effector. Preferably, the actuator pins are axially displaceable with respect to the

shaft to actuate the end effector (e.g., open and close the jaws). The instrument holder further includes an actuator driver releasably coupled to the actuator arms and to an external driver for actuating the end effector. The actuator driver preferably includes a twist-lock interface having transverse slots similar to that described for the instrument support so that the instrument can be simultaneously engaged or disengaged from both the instrument support and the actuator driver.

Other features and advantages of the invention will appear from the following description in which the preferred embodiment has been set forth in detail in conjunction with the accompanying drawings.

#### BRIEF DESCRIPTION OF THE DRAWINGS

Fig. 1 is a partial sectional elevational view of a robotic endoscopic surgical instrument mounted to a manipulator assembly according to the present invention;

Fig. 1A is a partial sectional elevational view of the manipulator assembly of Fig. 1 illustrating the removal of an instrument holder from the rest of the assembly;

Figs. 2A and 2B are enlarged side and front cross-sectional views, respectively, of the surgical instrument of Fig. 1;

Figs. 3A and 3B are perspective views of an instrument support and an actuator pin catch, respectively, for releasably mounting the surgical instrument to the manipulator assembly;

Fig. 4 is a front elevational view of the surgical instrument mounted within the instrument support and actuator pin catch of Figs. 3A and 3B;

Fig. 5 is a front elevational view of an actuator driver for providing axial movement of the actuator pin catch of Fig. 3B;

Figs. 6A and 6B are enlarged cross-sectional views of an actuator carriage assembly and a helical actuator of the actuator driver of Fig. 5;

Fig. 7 is an enlarged detail of a portion of the frame of the manipulator assembly of Fig. 1 illustrating a coupling mechanism for removing the shafts from the frame;

Fig. 8 is a partial cross-sectional view of the instrument support of Fig. 3A illustrating a locking mechanism for a twist lock interface according to the present invention; and

Fig. 9 is an elevational view of a remote center positioner for holding the manipulator assembly of Fig. 1.

#### DESCRIPTION OF THE PREFERRED EMBODIMENTS

Referring to the drawings in detail, wherein like numerals indicate like elements, a manipulator assembly 2 is illustrated according to the principles of the invention.

Manipulator assembly 2 generally includes an instrument holder 4 removably mounted to a base 6 and a drive assembly 7 for manipulating a surgical instrument 14 releasably coupled to instrument holder 4.

Referring to Fig. 1, base 6 comprises a frame 16 having proximal and distal elongate support members 17, 19 and first and second ball-spline shafts 18, 20 rotatably coupled to support members 17, 19 via bearings 22. Frame 16 further includes a support bracket 24 for attaching manipulator assembly 2 to a remote center positioner 300, as discussed in more detail below (see Fig. 9). Drive assembly 7 comprises first, second and third drives 8, 10, 12, which are mounted to frame 16 and configured to provide three degrees of freedom to surgical instrument 14. In the preferred embodiment, first drive 8 rotates instrument 14 around its own axis, second drive 10 actuates an end effector 120 on the distal end of instrument 14 and third drive 12 axially displaces instrument 14 with respect to frame 16. Of course, it will be readily recognized by those skilled in the art that other configurations are possible. For example, assembly 2 may include additional drives for providing additional degrees of freedom to surgical instrument 14, such as rotation and flexion of an instrument wrist.

First drive 8 comprises a rotation drive motor 26 fixed to frame 16 and coupled to first shaft 18 by a drive belt 28 for rotating first shaft 18 with respect to frame 16. Second drive 10 comprises a gripper drive motor 30 fixed to frame 16 and coupled to second shaft 20 by a drive belt 32 for rotating second shaft 20 with respect to frame 16. Third drive 12 comprises a vertical drive motor 34 coupled to instrument holder 4 via a drive belt 36 and two pulleys 38 for axially displacing instrument holder 4 with respect to frame 16. Drive motors 26, 30, 34 are preferably coupled to a controller mechanism via servo-control electronics (not shown) to form a telerobotic system for operating surgical instrument 14 by remote control. The drive motors follow the motions of a surgeon's hands as he/she manipulates input control devices at a location that may be remote from the patient. A suitable telerobotic system for controlling the drive motors is described in commonly assigned co-pending U.S. Patent 5,891,661.

The above described telerobotic servo system preferably has a servo bandwidth with a 3 dB cut off frequency of at least 10 hz so that the system can quickly and accurately respond to the rapid hand motions used by the surgeon. To operate effectively with this system, instrument holder 4 has a relatively low inertia and drive motors 26, 30, 34 have relatively low ratio gear or pulley couplings.

In a specific embodiment, surgical instrument 14 is an endoscopic instrument configured for introduction through a percutaneous penetration into a body cavity, such as the abdominal or thoracic cavity. In this embodiment, manipulator assembly 2 supports a cannula 50 on distal support member 19 of frame 16 for placement in the entry incision during an endoscopic surgical procedure (note that cannula 50 is illustrated schematically in Fig. 1 and will typically be much longer). Cannula 50 is preferably a conventional gas sealing trocar sleeve adapted for laparoscopic surgery, such as colon resection and Nissen fundoplication.

As shown in Fig. 1, cannula 50 preferably includes a force sensing element 52, such as a strain gauge or force-sensing resistor, mounted to an annular bearing 54 within cannula 50. Bearing 54 supports instrument 14 during surgery, allowing the instrument to rotate and move axially through the central bore of bearing 54. Bearing 54 transmits lateral forces exerted by the instrument 14 to force sensing element 52, which is operably connected to the controller mechanism for transmitting these forces to the input control devices (not shown) held by the surgeon in the telerobotic system. In this manner, forces acting on instrument 14 can be detected without disturbances from forces acting on cannula 50, such as the tissue surrounding the surgical incision, or by gravity and inertial forces acting on manipulator assembly 2. This facilitates the use of manipulator assembly in a robotic system because the surgeon will directly sense the forces acting against the end of instrument 14. Of course, the gravitational forces acting on the distal end of instrument 14 will also be detected by force sensing element 52. However, these forces would also be sensed by the surgeon during direct manipulation of the instrument.

As shown in Fig. 1, instrument holder 4 comprises a chassis 60 mounted on shafts 18, 20 via ball-spline bearings 62, 64 so that chassis 60 may move axially with respect to shafts 18, 20, but is prevented from rotating with shafts 18, 20. Chassis 60 is preferably constructed of a material that will withstand exposure to high temperature sterilization processes, such as stainless steel, so that chassis 60 can be sterilized after a surgical procedure. Chassis 60 includes a central cavity 66 for receiving surgical instrument 14 and an arm 68 laterally extending from chassis 60. Arm 68 is fixed to drive belt 36 so that rotation of drive belt 36 moves instrument holder 4 in the axial direction along shafts 18, 20.

Instrument holder 4 is removably coupled to base 6 and the drive motors so that the entire holder 4 can be removed and sterilized by conventional methods, such as steam, heat and pressure, chemicals, etc. In the preferred

configuration, arm 68 includes a toggle switch 69 that can be rotated to release arm 68 from drive belt 36 (Fig. 1). In addition, shafts 18, 20 are removably coupled to bearings 22 so that the shafts can be axially withdrawn from support members 17, 19 of frame 16, as shown in Fig. 1A. To this end, the distal bearings 22 preferably include a coupling mechanism for allowing the removal of shafts 18, 20. As shown in Fig. 7, distal support member 19 includes a support collar 71 within each distal bearing 22 having an inner bore 72 for passage of one of the shafts 18, 20. Each support collar 71 has an internal groove 73 and shafts 18, 20 each have an annular groove 74 (see Fig. 1A) near their lower ends that is aligned with internal grooves 73 when the shafts are suitably mounted within frame 16 (Fig. 1). A spring clip 75 is positioned within each internal groove 73 to hold each shaft 18, 20 within the respective support collar 71. Spring clip 74 has a discontinuity (not shown) to allow removal of shafts 18, 20 upon the application of a threshold axial force on the shafts.

To remove instrument holder 4 from base 6, the operator rotates toggle switch 69 to release arm 68 from drive belt 36 and removes drive belts 28, 32 from drives 8, 10. As shown in Fig. 1A, the operator holds instrument holder 4 and pulls shafts 18, 20 upwards, providing enough force to release spring clips 75. Shafts 18, 20 will disengage from distal bearings 22 and slide through ball-spline bearings 62, 64 so that instrument holder 4 is disconnected from base 6. It should be understood that the invention is not limited to the above described means for removably coupling instrument holder 4 to base 6 and drive assembly 7. For example, distal support member 19 may be removably coupled to the rest of frame 16 so that the surgeon simply removes member 19 and slides holder down and off shafts 18, 20. Proximal support member 17 may be removably coupled to frame 16 in a similar manner.

Alternatively, the drive motors may be housed in a separate servo-box (not shown) that is removably attached to base 6. In this configuration, the servo-box would be removed from

base 6 so that the entire base 6, together with holder 4, can be sterilized.

The lower portion of base 6 (including distal support member 19) may also be sterilized to decontaminate those parts that come into contact with holder 4 or instrument 14 (e.g., by dipping the lower portion of base 6 into a sterilizing bath). To facilitate this type of sterilization, shafts 18, 20 will preferably be somewhat longer than shown in Fig. 1 so that the upper portion of base 6, including drive assembly 7, is disposed sufficiently away from holder 4 and instrument 14. In this manner, the surgical manipulator can be easily sterilized after a surgical procedure without damaging the drive motors or the electrical connections required for the telerobotic system.

Instrument holder 4 further includes an instrument support 70 (see detail in Fig. 3A), for releasably coupling surgical instrument 14 to the manipulator assembly. Instrument support 70 is rotatably mounted within chassis 60 via mounting bearings 74 so that support 70 and the instrument can be rotated therein. As shown in Fig. 1, support 70 is circumscribed by an annular ring gear 76 having teeth that mesh with the teeth of a drive gear 78 mounted to first shaft 18. Drive gear 78 is configured around first shaft 18 such that it will rotate with first shaft 18, thereby rotating instrument support 70 and the surgical instrument therewith. Drive gear 78 is also configured to move axially with respect to first shaft 18 to allow axial movement of instrument holder 4 with respect to frame 16.

Instrument holder 4 further includes an actuator driver 80 (see detail in Fig. 5) movably mounted within axial guide slots 82 on either side of chassis 60. Actuator driver 80 comprises a helical actuator 84 (see detail in Fig. 6B) having a ring gear 86 that meshes with a gripper drive gear 88 mounted to second shaft 20. Rotation of second shaft 20 causes rotation of gripper drive gear 88, thereby rotating ring gear 86 and helical actuator 84 within chassis 60. Actuator driver 80 further includes an actuator carriage assembly 90 (see detail in Fig. 6A) for releasably coupling an

end effector, actuator of surgical instrument 14 to instrument holder 4 (see Fig. 2). Carriage assembly 90 is mounted within helical actuator 84 and chassis 60 such that rotation of helical actuator 84 causes a corresponding axial movement of carriage assembly 90 with respect to chassis 60, as discussed in greater detail below.

Figs. 2A and 2B illustrate a specific embodiment of an endoscopic surgical instrument 14 capable of being operated by a motorized manipulator, such as manipulator assembly 2, for telerobotic surgery. Surgical instrument 14 can be a variety of conventional endoscopic instruments adapted for delivery through a percutaneous penetration into a body cavity, such as tissue graspers, needle drivers, microscissors, electrocautery dissectors, etc. In the preferred embodiment, instrument 14 is a tissue grasper comprising a shaft 100 having a proximal end 102, a distal end 104 and a longitudinal axis 106 therebetween. A knurled handle 114 is attached to proximal end 102 of shaft 100 to facilitate manipulation of instrument 14.

Shaft 100 is preferably a stainless steel tube having an outer diameter in the range of 2-10 mm, usually 4-8 mm, so as to fit within a cannula having an internal diameter in the range of 2-15 mm. Shaft 100 can also be introduced directly through a percutaneous incision in the patient. Shaft 100 has a length selected to reach a target site in a body cavity, such as the abdomen, and to extend sufficiently out of the body cavity to facilitate easy manipulation of surgical instrument 14. Thus, shaft 100 should be at least between 10 cm and 40 cm and is preferably between 17 cm and 30 cm. It should be noted that although shaft 100 is shown as having a circular cross-sectional shape in the drawings, shaft 100 could alternatively have a rectangular, triangular, oval or channel cross-sectional shape.

In a specific configuration, shaft 100 includes a mounting means for releasably coupling surgical instrument 14 to instrument support 70 and first drive 8 of manipulator assembly 2. In the preferred embodiment, mounting means comprises a pair of opposed mounting pins 116 extending

laterally outward from shaft 100. Mounting pins 116 are rigidly connected to shaft 100 and are adapted for engaging a twist-lock interface on instrument support 70, as discussed in detail below. It should be understood that the invention is not limited to a pair of opposing pins and mounting means can include a single mounting pin or a plurality of pins extending circumferentially around shaft. Alternatively, pins 116 may have a variety of other shapes, such as spherical or annular, if desired.

Instrument 14 includes an end effector 120 extending from distal end 104 for engaging a tissue structure on the patient, such as the abdomen during laparoscopic surgery. In the preferred embodiment, end effector 120 comprises a pair of jaws 122, 124 that are movable between open and closed positions for grasping a blood vessel, holding a suture, etc. Jaws 122, 124 preferably have transverse grooves or other textural features (not shown) on opposing surfaces to facilitate gripping of the tissue structure. To avoid the possibility of damaging the tissue to which jaws 122, 124 are applied, the jaws may also include atraumatic means (not shown), such as elastomeric sleeves made of rubber, foam or surgical gauze wrapped around jaws 122, 124.

To move jaws 122, 124 between the open and closed positions, instrument 14 includes an end effector actuator releasably coupled to actuator driver 80 and second drive 10 of manipulation assembly 2 (see Fig. 4). In the preferred embodiment, end effector actuator comprises a pair of opposed actuator pins 132 laterally protruding from axially extending slots 134 in shaft 100. Actuator pins 132 are coupled to an elongate rod 136 slidably disposed within an inner lumen 138 of shaft 100. Actuator pins 132 are slidable within slots 134 so that rod 136 is axially movable with respect to shaft 100 and mounting pins 116 to open and close jaws 122, 124, as is conventional in the art. Elongate rod 136 has a proximal portion 140 that is disposed within an inner lumen 142 within shaft 100 to prevent actuator pins 132 from moving in the laterally direction and to ensure that rod 136 remains

generally centered within shaft 100 during a surgical procedure.

Jaws 122, 124 are preferably biased into the closed positioned by an annular compression spring 144 positioned within shaft 100 between actuator pins 132 and an annular disc 146 fixed to the inside surface of shaft 100. During endoscopic procedures, this allows the surgical team to introduce jaws 122, 124 through cannula 50 (or any other type of percutaneous penetration) and into the body cavity without getting stuck within cannula 50 or damaging surrounding tissue.

Figs. 3A, 3B and 4 illustrate a twist lock mechanism for releasably connecting surgical instrument 14 to manipulator assembly 2 so that different instruments may be rapidly changed during an endoscopic surgical procedure. As shown in Fig. 3A, instrument support 70 comprises an annular collar 200 defining a central bore 202 for receiving shaft 100 of surgical instrument 14. Collar 200 further defines an axially extending slot 204 in communication with bore 202 and sized to allow mounting and actuator pins 116, 132 of instrument 14 to slide therethrough (see Fig. 4). Two locking slots 206 are cut into annular collar 200 at a transverse angle, preferably about 90°, to axially extending slot 204 (note that only one of the locking slots are shown in Fig. 3A). Locking slots 206 intersect slot 204 near the center of annular collar 200 and extend circumferentially around bore 202, preferably about 90°, to allow rotation of both mounting pins 116 therethrough, as discussed below.

As shown in Figs. 3A and 8, instrument support 70 further comprises means for locking mounting pins 116 into locking slots 206 so that the instrument cannot be accidentally twisted and thereby disengaged from instrument support 70 during surgery. Preferably, the locking means comprises a latch assembly having a plunger 210 slidably disposed within a hole 212 in collar 200, as shown in Fig. 3A. Plunger 210 comprises an L-shaped latch 213 coupled to a release button 214 by a rod 215 extending through hole 212. Plunger 210 is movable between a first position, where latch 213 is not

disposed within locking slots 206 so that mounting pins 116 are free to rotate therethrough, and a second position, where latch 213 is at least partially disposed within one of the locking slots 206 so as to prevent rotation of mounting pins 116. Latch 213 is preferably biased into the second or locked position by a compression spring 216.

Button 214 is disposed on the upper surface of support 70 for manual actuation by the surgeon or automatic actuation by base 6. Preferably, when instrument holder 4 is moved to its most proximal position (see Fig. 1), proximal support member 17 of frame 16 depresses release switch 214 to move latch 213 into the first or open position. With this configuration, instruments can be exchanged only when the instrument holder 4 is in the most proximal position, where shaft 100 of instrument 14 is easily accessible. In addition, this prevents the accidental release of the instrument when its distal end has penetrated cannula 50 and is disposed within the body cavity.

The intersecting axial and locking slots 204, 206 form an interface for releasably coupling mounting pins 116 of surgical instrument 14 to instrument holder 4. To insert instrument 14, the surgeon aligns mounting pins 116 with axial slot 204 and slides the instrument through bore 202 of annular collar 200 until mounting pins 116 are aligned with locking slots 206, as shown in Fig. 4. The instrument is then rotated a sufficient distance, preferably about a 1/4 turn, through locking slots 206 so that the pins are no longer aligned with axial slot 204. When instrument 14 is moved distally, switch 214 is released (Fig. 1) and latch 213 moves into locking slots 206 to prevent mounting pins 116 from rotating back into alignment with axial slot 204 so that instrument 14 is secured to instrument support 70. It should be noted that a single mounting pin may be utilized with the above described configuration to lock the surgical instrument to the support. However, two opposing pins are preferred because this configuration reduces torsional forces on the inner surface of locking slots 206.

As shown in Fig. 8, the locking means preferably includes a ball detent 217 disposed within collar 200. Ball detent 217 is biased upward into one of the locking slots 206 by a spring 218. Ball detent 217 serves to temporarily capture mounting pins 116 in a position rotated about 90° from alignment with axial slot 204. This ensures that the mounting pins will be completely rotated into the proper position (i.e., out of the way of latch 213) when instrument 14 is twisted into instrument holder. Otherwise, when switch 214 is released, latch 213 could become engaged with mounting pins 216 so that the latch is unable to move completely into the locked position, thereby potentially causing the accidental release of instrument 14 during surgery.

As shown in Figs. 3B, 4 and 5, actuator driver 80 of instrument holder 4 further comprises an actuator pin catch 220 for releasably holding and moving actuator pins 132 of instrument 14. Actuator pin catch 220 is constructed similarly to instrument support 70 (Fig. 3A), comprising an annular collar 222 that defines a bore 224 for receiving shaft 100 and an axially extending slot 226 for receiving actuator pins 132. A locking slot 228 is cut into actuator pin catch 220 at a 90° angle so that actuator pins can be rotated into the lock slot to couple actuator pins 132 to actuator driver 66, as discussed above in reference to the mounting pins. It should be noted that slot 226 need not extend completely through collar 222 since actuator pins 132 are located distally of mounting pins 116 (the instrument is preferably inserted jaws first). Of course, actuator and mounting pins 132, 116 may be reversed so that the mounting pins are distal to the actuator pins, if desired.

Referring to Fig. 6A, actuator pin catch 220 is rotatably mounted on a ball bearing 230 in actuator carriage assembly 90. Bearing 230 allows the pin catch 220 to rotate freely in carriage assembly 90 while preventing relative axial motion. Therefore, when instrument 14 is rotated by first drive 8, actuator pins 132 will rotate within carriage assembly 90. Carriage assembly 90 further comprises two sets of axles 232 for rotatably supporting a pair of inner rollers

236 and a pair of outer rollers 238. As shown in Fig. 1, outer rollers 238 are slidably disposed within axial guide slots 82 of chassis 60 to prevent rotation of carriage assembly 90 with respect to chassis 60. Inner and outer rollers 236, 238 cooperate with helical actuator 84 and chassis 60 of instrument holder 4 to move axially with respect to the holder, thereby axially moving pin catch 220 and actuator pins 132 therewith relative to shaft 100 of instrument 14 (which actuates jaws 122, 124, as discussed above).

As shown in Fig. 6B, helical actuator 84 includes a central bore 240 for receiving carriage assembly 90 and surgical instrument 14 and two opposing helical tracks 242, 244 each extending circumferentially around helical actuator 84 (preferably slightly less than  $180^\circ$ ) for receiving inner rollers 236 of carriage assembly 90, as shown in Fig. 5. With outer rollers 238 constrained in axial guide slots 82 of chassis 60, rotation of helical actuator 84 causes carriage assembly 90 (and actuator pin catch 220) to move up or down, depending on the sense of the rotation. Because of the symmetrical design of helical actuator 84, the actuation force applied by second driver 10 will not generate any effective side loads on instrument 14, which avoids frictional coupling with other degrees of freedom such as axial (third driver 12) and rotation (first driver 8). In the preferred embodiment, helical tracks 242, 244 have a pitch selected such that the mechanism can be easily back-driven, allowing grip forces to be sensed in a position-servoed teleoperation system.

As shown in Figs. 3A and 3B, instrument holder 4 further includes a pair of axial guide pins 250, 252 fixed to instrument support 70. Actuator pin catch 220 has a pair of openings 254, 256 for receiving guide pins 250, 252. Guide pins 250, 252 prevent relative rotation between pin catch 220 and support 70 (so that actuator and mounting pins 116, 132 can both rotate with the instrument) and allow axial movement relative to each other (so that end effector 120 can be actuated by axial movement of actuator pins 132).

Fig. 9 is an elevational view of a remote center positioner 300 which can be used to support manipulator assembly 2 above the patient (note that support manipulator 2 is not shown in Fig. 8). Remote center positioner 300 provides two degrees of freedom for positioning manipulator assembly 2, constraining it to rotate about a point 308 coincident with the entry incision. Preferably, point 308 will be approximately the center of bearing 54 in cannula 50 (Fig. 1). A more complete description of remote center positioner 300 is described in commonly assigned U.S. Patent 5,800,423.

A first linkage means is indicated generally by the numeral 321 and a second linkage in the form of a parallelogram is indicated by the numeral 323. The first linkage means is pivotally mounted on a base plate for rotation about an x-x axis. The second linkage means is pivotally connected to the first linkage means and is adapted to move in a plane parallel to the first linkage. Five link members (including extensions thereof), 311, 312, 313, 314, and 315 are connected together with pivot joints 316-320. A portion of element 313 extends beyond pivot 320 of the parallelogram linkage. The parallelogram linkage has an operating end at link member 313 and a driving end at link member 312. The elongated element 313 may, as desired later, carry a surgical instrument or other device, such as support bracket 24 of manipulator assembly 2. The pivot joints allow relative motion of the link members only in the plane containing them.

A parallelogram linkage is formed by corresponding link members 314, 315 and link members 312 and 313. The portions of link members 314 and 315 of the parallelogram are of equal length as are the portions of members 312 and 313 of the parallelogram. These members are connected together in a parallelogram for relative movement only in the plane formed by the members. A rotatable joint generally indicated by the numeral 322 is connected to a suitable base 324. The rotatable joint 322 is mounted on a base plate 326 adapted to

be fixedly mounted to the base support means 324. A pivot plate 328 is pivotally mounted to base plate 326 by suitable means at, such as, pivots 330, 332. Thus pivot plate 328 may be rotated about axis x-x through a desired angle  $\theta_2$ . This may be accomplished manually or by a suitable pivot drive motor 334.

A first linkage is pivotally mounted on the pivot plate 328 of the rotatable joint 322. The linkage elements 311, 312 and the link members are relatively stiff or inflexible so that they may adequately support an instrument used in surgical operations. Rods made of aluminum or other metal are useful as such links. The linkage elements 311 and 312 are pivotally mounted on base plate 328 for rotation with respect to the rotatable joint by pivots 336 and 338. At least one of the pivots 336, 338 is positioned so that its axis of rotation is normal to and intersects the x-x axis. Movement may occur manually or may occur using a linkage drive motor 340. The first linkage is also shaped in the form of a parallelogram formed by linkage elements 311, and 312; the portion of link member 315 connected thereto by pivots 316, 318; and base plate 328. One of the link members 315 is thus utilized in both the first 321 and second 323 linkage means. Linkage element 312 also forms a common link of both the first linkage means 321 and the second linkage means 323. In accordance with the invention, a remote center of spherical rotation 308 is provided by the above described embodiment of apparatus when the linkage element 311 is rotated and/or when pivot plate 328 is rotated about axis x-x. Thus, the end of element 313 can be moved through desired angles  $\theta_1$  and  $\theta_2$  or rotated about its own axis while the remote center of rotation remains at the same location.

Fig. 9 also shows an inclinometer 350 attached to the base of remote center positioner 300. The remote center positioner may be mounted at an arbitrary orientation with respect to vertical depending on the particular surgery to be performed, and inclinometer 350 can be used to measure this orientation. The measured orientation can be used to calculate and implement servo control signals necessary to

control the telerobotic system so as to prevent gravitational forces acting on the system mechanisms from being felt by the surgeon.

5 Variations and changes may be made by the skilled person.

10 For example, it should be understood that the present invention is not limited to endoscopic surgery. In fact, instrument holder 4, along with a telerobotic control mechanism, would be particularly useful during open surgical procedures, allowing a surgeon to perform an operation from a remote location, such as a different room or a completely different hospital. The scope of the claims should not be limited by the preferred embodiments or the examples but should be given the broadest interpretation consistent with the description as a whole.

What is claimed is:

1. Use of a surgical instrument for performing a procedure, the instrument comprising:

moveable actuator links operatively coupled with a driver of a robotic arm to releasably couple the surgical instrument to the robotic arm to allow introduction of a distal portion of said surgical instrument through a percutaneous penetration into a body cavity within a patient, and to allow pivoting of the surgical instrument about the percutaneous penetration by movement of a proximal portion of said instrument outside the body cavity with a plurality of degrees of freedom of movement through use of the robotic arm.

2. The use of claim 1, wherein said robotic arm constrains movement of the instrument about a center of rotation established at a desired location along said surgical instrument in the course of manipulation of tissue with the instrument within the body cavity.

3. The use of claim 1, wherein the instrument comprises an end effector operatively coupled to the actuator links with a linkage, wherein displacement of the actuator links along a shaft of the surgical instrument actuates the end effector.

4. The use of claim 3, wherein coupling comprises releasably disposing the actuator links within an aperture of the driver.

5. The use of claim 4, wherein the actuator links extend through a slot in the surgical instrument and are positioned substantially orthogonal to the linkage.

6. The use of claim 3, wherein the end effectors move with a plurality of degrees of freedom of movement within the body cavity of the patient.

7. The use of claim 6, wherein the end effectors of the surgical instrument has three degrees of freedom.

8. The use of claim 6, wherein said end effector moves in said plurality of degrees of freedom of movement within the body cavity of the patient relative to said proximal portion of said surgical instrument.
9. The use of claim 6, wherein said plurality of degrees of freedom of movement includes rotation of said end effector about a substantially longitudinal axis of said instrument, and articulating the end effector with respect to said proximal portion of said instrument about a distal axis, while maintaining operative coupling between said actuator links and said driver.
10. The use of claim 9, wherein rotation of the end effector and articulating the end effector is achieved by inputting commands through a control console comprising at least one control handle.
11. The use of claim 3, wherein the instrument comprises means for opening and closing the jaws of the end effector.
12. The use of claim 1, wherein the instrument comprises an input control device for remotely controlling movement of the surgical instrument.
13. The use of claim 12, wherein the instrument comprises means for detecting forces and torques applied to the surgical instrument.
14. The use of claim 13, wherein feedback signals are transmitted to the input control device based on the forces and torques applied to the surgical instrument.
15. The use of claim 1, wherein the instrument further comprises:  
articulation of an end effector of said surgical instrument relative to said proximal portion; and  
wherein articulation of said end effector is by displacement of said at least one moveable actuator link.

16. The use of claim 15, wherein input of commands through a control console comprising at least one control handle achieves said pivoting of said surgical instrument, said articulation of said end effector, and said actuation of said end effector.

17. The use of claim 15 or 16, further comprising rotation of said distal portion of said surgical instrument about an axis extending through said percutaneous penetration and along a longitudinal axis of said surgical instrument while maintaining operative coupling of said at least one moveable actuator link with said driver.

18. The use of claim 17, wherein articulation of said end effector comprises rotation of said end effector about an axis that is substantially perpendicular to said axis extending through said percutaneous penetration.

19. The use of claim 15, wherein the operative coupling of at least one moveable actuator link of said surgical instrument with a driver of said robotic arm comprises seating said at least one actuator link in a recess.

20. The use of claim 1, wherein the surgical instrument comprises a shaft with a proximal end, a distal end and a mounting means affixed to and having a protrusion extending from the shaft between the proximal and distal ends, and an instrument support having a central bore and a first hole in communication with said bore;

wherein the shaft is slid through the bore of the support such that the protrusion slides through the first hole;

the protrusion is aligned with a second hole transverse to and in communication with the first hole; and

the protrusion is rotated through the second hole and out of the first hole so as to prevent further axial movement of the shaft through the bore thereby coupling the instrument to the support.

21. The use of claim 20, wherein the instrument has locking means to lock the protrusion within the second hole so as to lock the instrument, thereby preventing rotation of the instrument to the support.

22. Use of a surgical instrument for performing a procedure, wherein the instrument is releasably coupled to a robotic arm comprising a plurality of linkages and joints;

wherein at least one moveable actuator link of said surgical instrument is operatively coupled with a driver of said robotic arm to allow introduction of a distal portion of said surgical instrument through a percutaneous penetration into a patient, said distal portion comprising an end effector and to allow for:

pivoting of said surgical instrument about said percutaneous penetration by movement of a proximal portion of said surgical instrument outside of said patient's body with a plurality of degrees of freedom of movement through use of said robotic arm;

articulation of said end effector of said surgical instrument relative to said proximal portion and within said patient's body; and

actuation of said end effector by displacement of said at least one moveable actuator link.

23. The use of claim 22, wherein input of commands through a control console comprising at least one control handle achieves said pivoting of said surgical instrument, said articulation of said end effector, and said actuation of said end effector.

24. The use of claim 22 or 23, further comprising rotation of said distal portion of said surgical instrument about an axis extending through said percutaneous penetration and along a longitudinal axis of said surgical instrument while maintaining operative coupling of said at least one moveable actuator link with said driver.

25. The use of claim 24, wherein articulation of said end effector comprises rotation of said end effector about an axis that is substantially perpendicular to said axis extending through said percutaneous penetration.

26. The use of claim 22, wherein the operative coupling of at least one moveable actuator link of said surgical instrument with a driver of said robotic arm comprises seating said at least one actuator link in a recess.

27. Use of a surgical instrument for performing a procedure, wherein the instrument is:

releasably coupled to a robotic arm comprising a plurality of linkages and joints; wherein two moveable actuator links of said surgical instrument are operatively coupled with said robotic arm to allow

introduction of a distal portion of said surgical instrument through a percutaneous penetration into the patient, said distal portion comprising an end effector and to allow for pivoting of said surgical instrument about the percutaneous penetration by movement of a proximal portion of said surgical instrument outside said patient's body with a plurality of degrees of freedom of movement through use of said robotic arm;

articulation of said end effector of said surgical instrument relative to said proximal portion and within said patient's body; and actuation of said end effector by displacement of said moveable actuator links.

28. The use of claim 27, wherein input of commands through a control console comprising at least one control handle achieves said pivoting of said surgical instrument, said articulation of said end effector, and said actuation of said end effector.

29. The use of claim 27 or 28, further comprising rotation of said distal portion of said surgical instrument about an axis extending through said percutaneous penetration and along said surgical instrument while maintaining operative coupling of said moveable actuator links with said driver.

30. The use of claim 29, wherein articulation of said end effector comprises rotation of said end effector about an axis that is substantially perpendicular to said axis extending through said percutaneous penetration.

31. The use of claim 27, wherein said operative coupling of said moveable actuator links of said surgical instrument with a driver of said robotic arm comprises seating said actuator links in a recess.

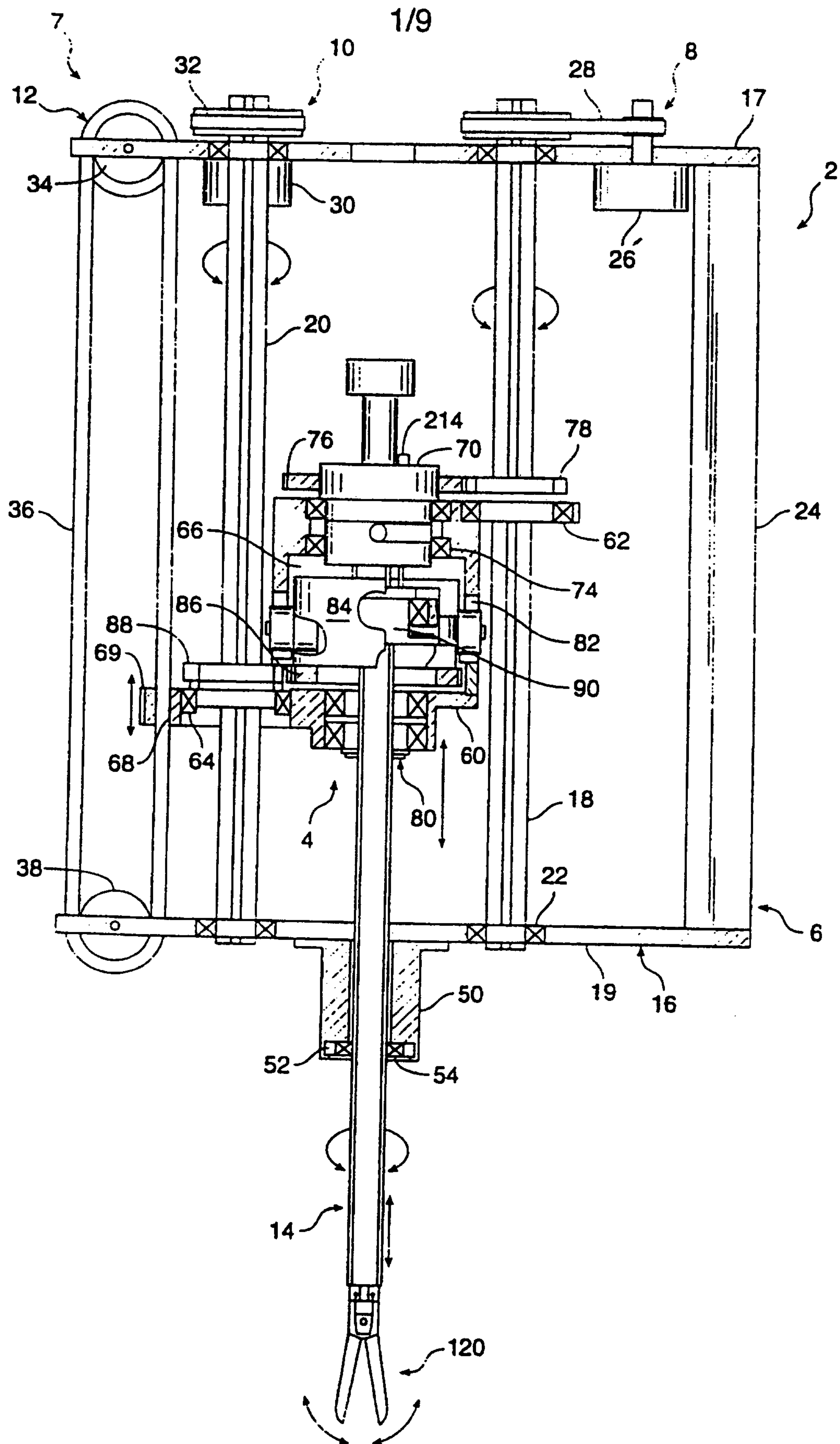


FIG. 1

SUBSTITUTE SHEET (RULE 26)

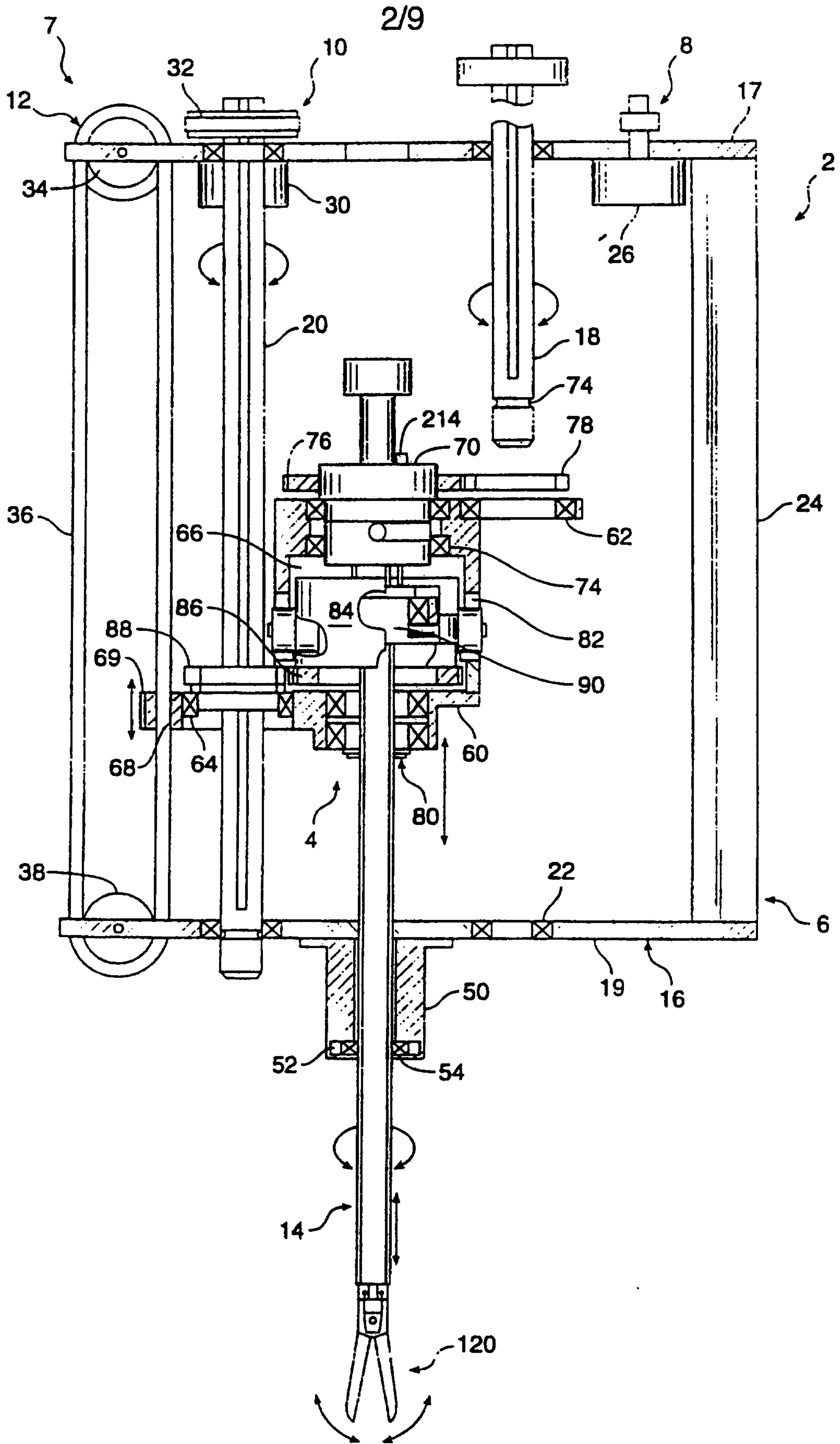


FIG. 1A

3/9

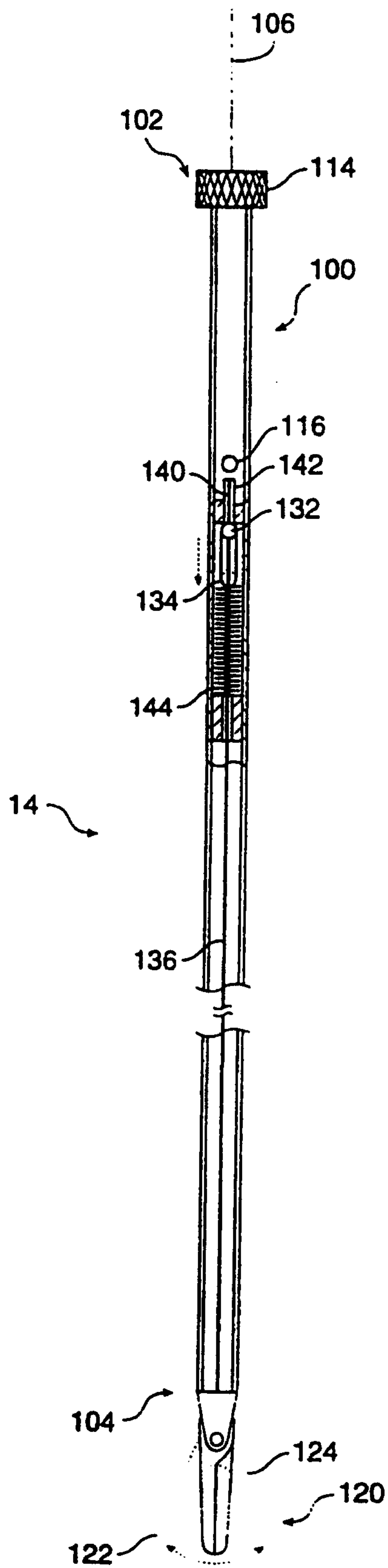


FIG. 2A

4/9

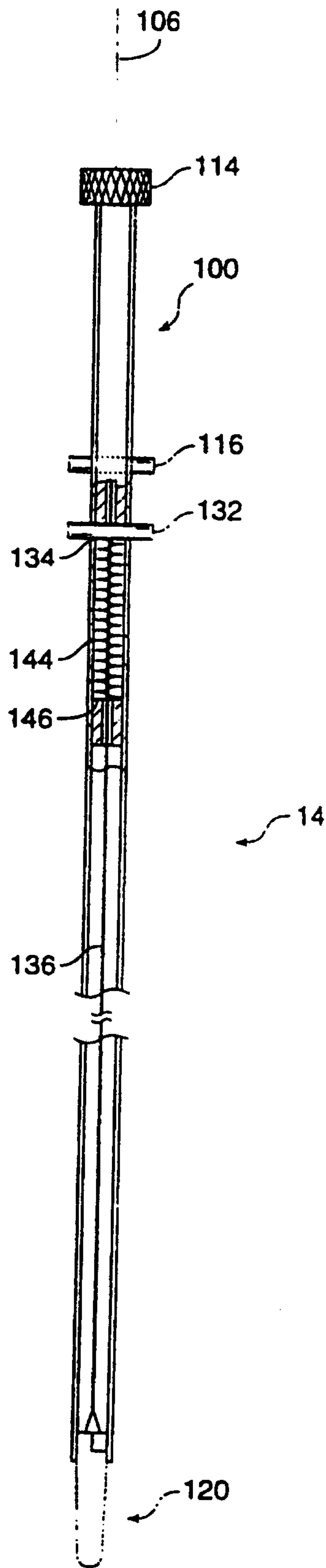


FIG. 2B

5/9

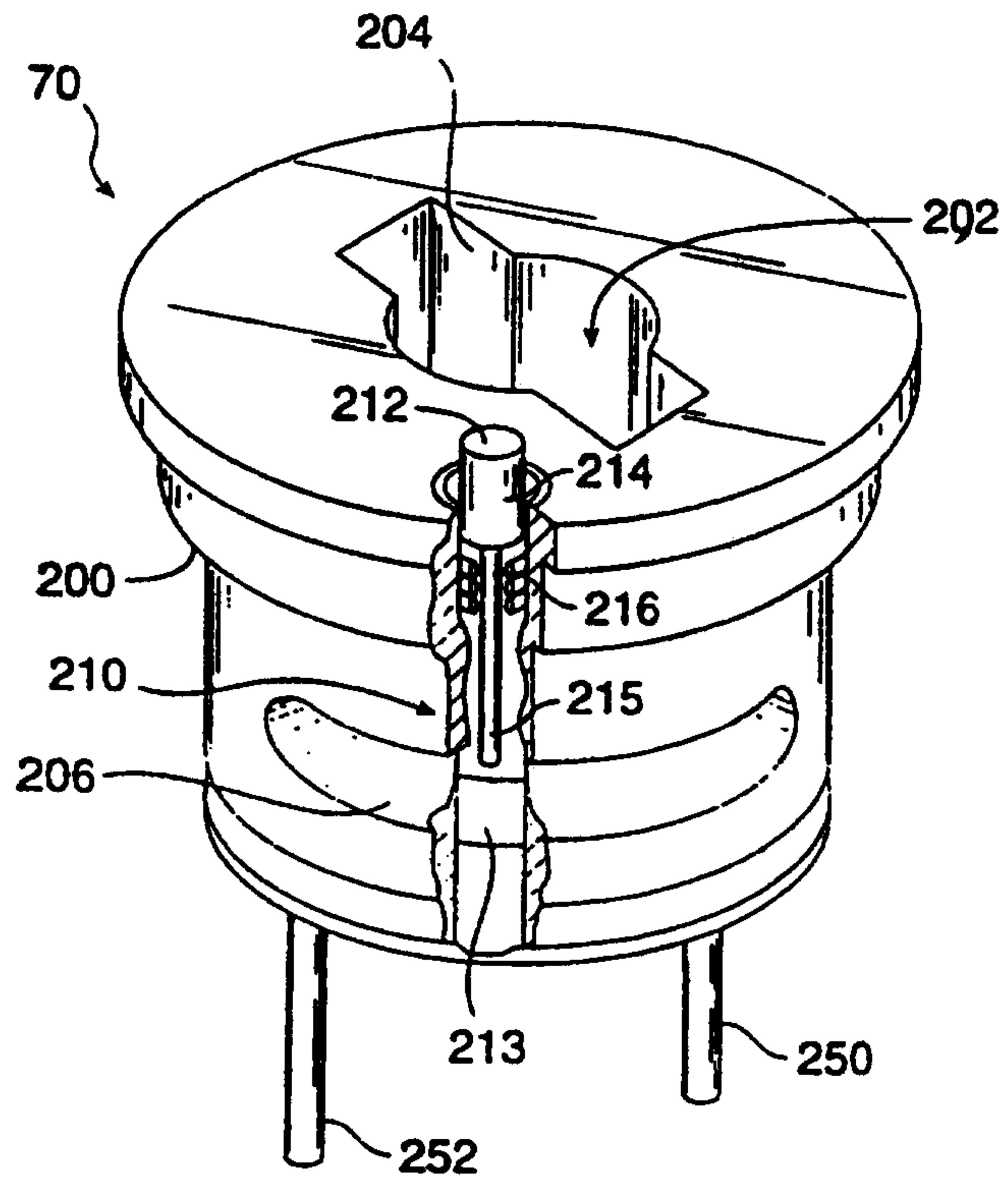


FIG. 3A

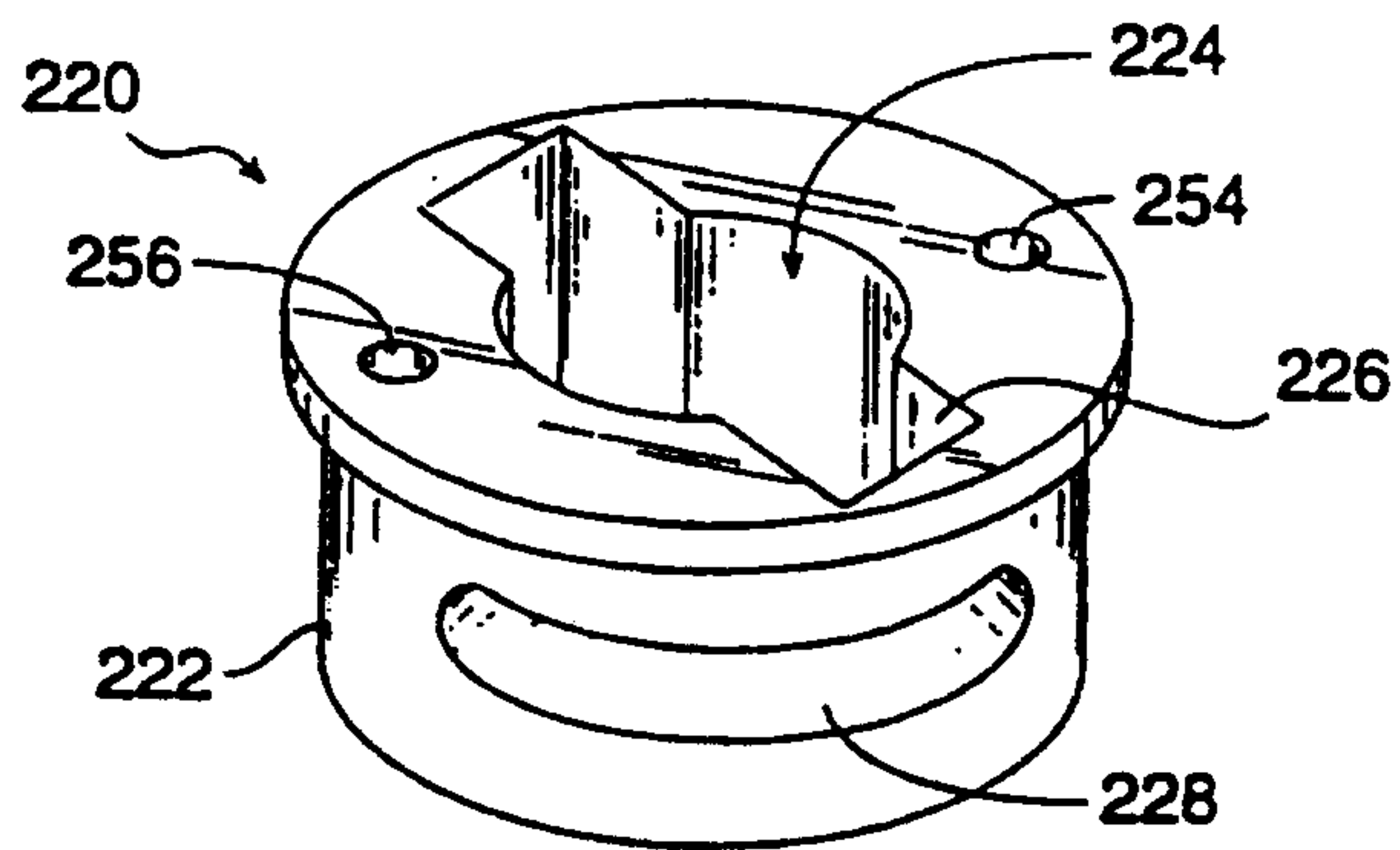


FIG. 3B

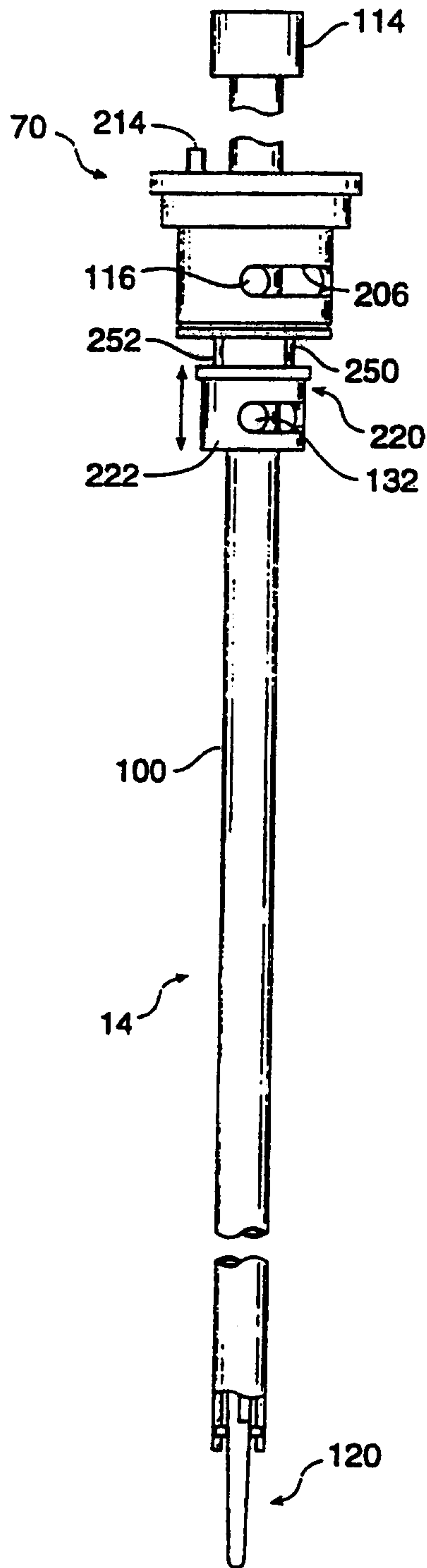


FIG. 4

7/9

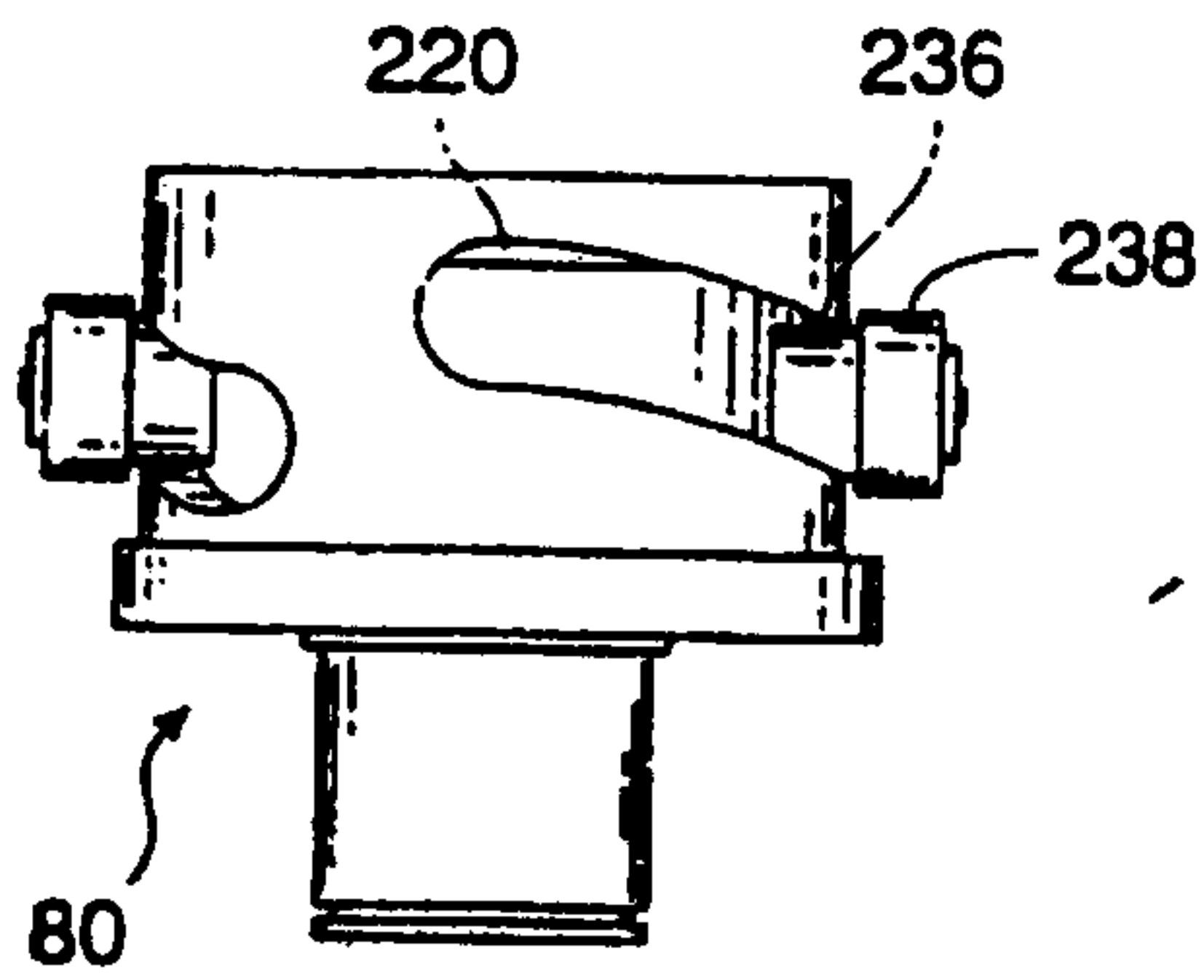


FIG. 5

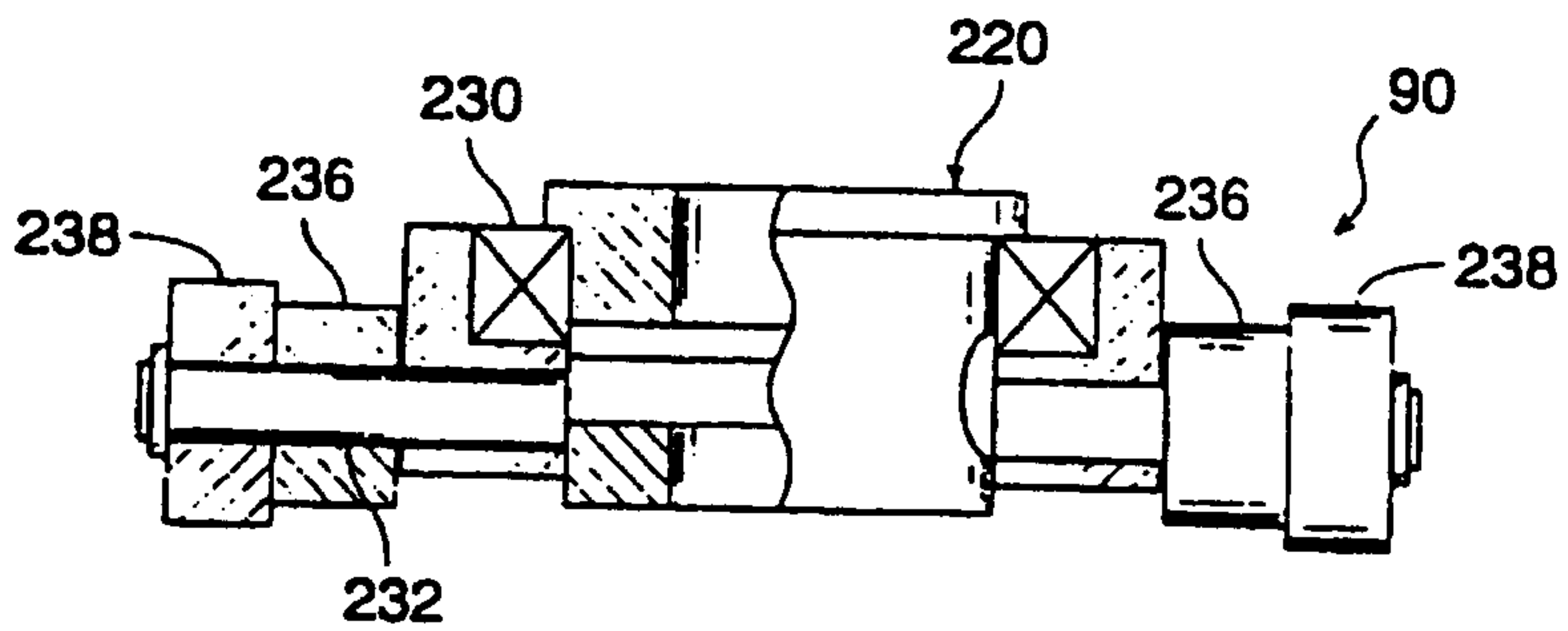


FIG. 6A

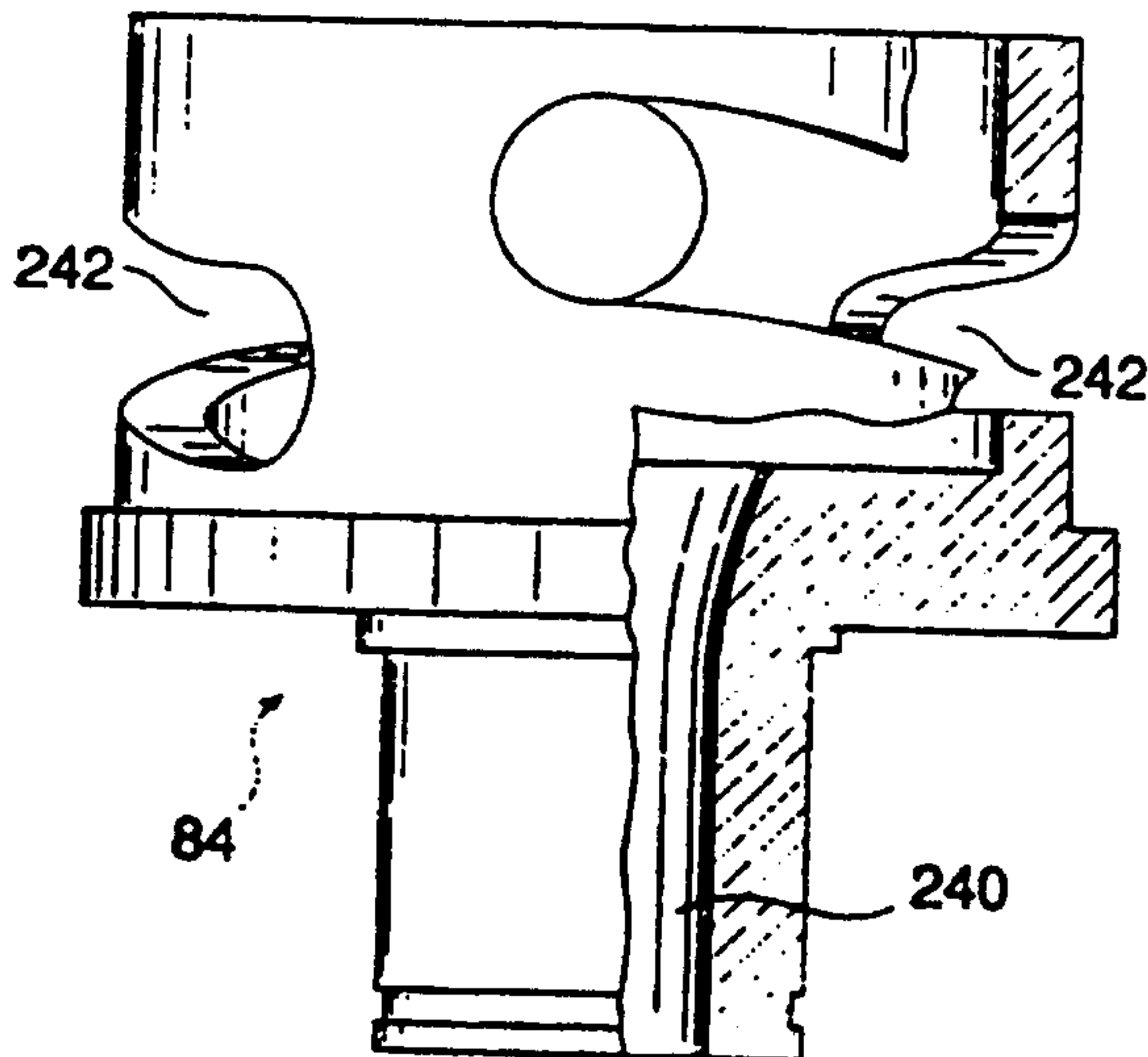


FIG. 6B

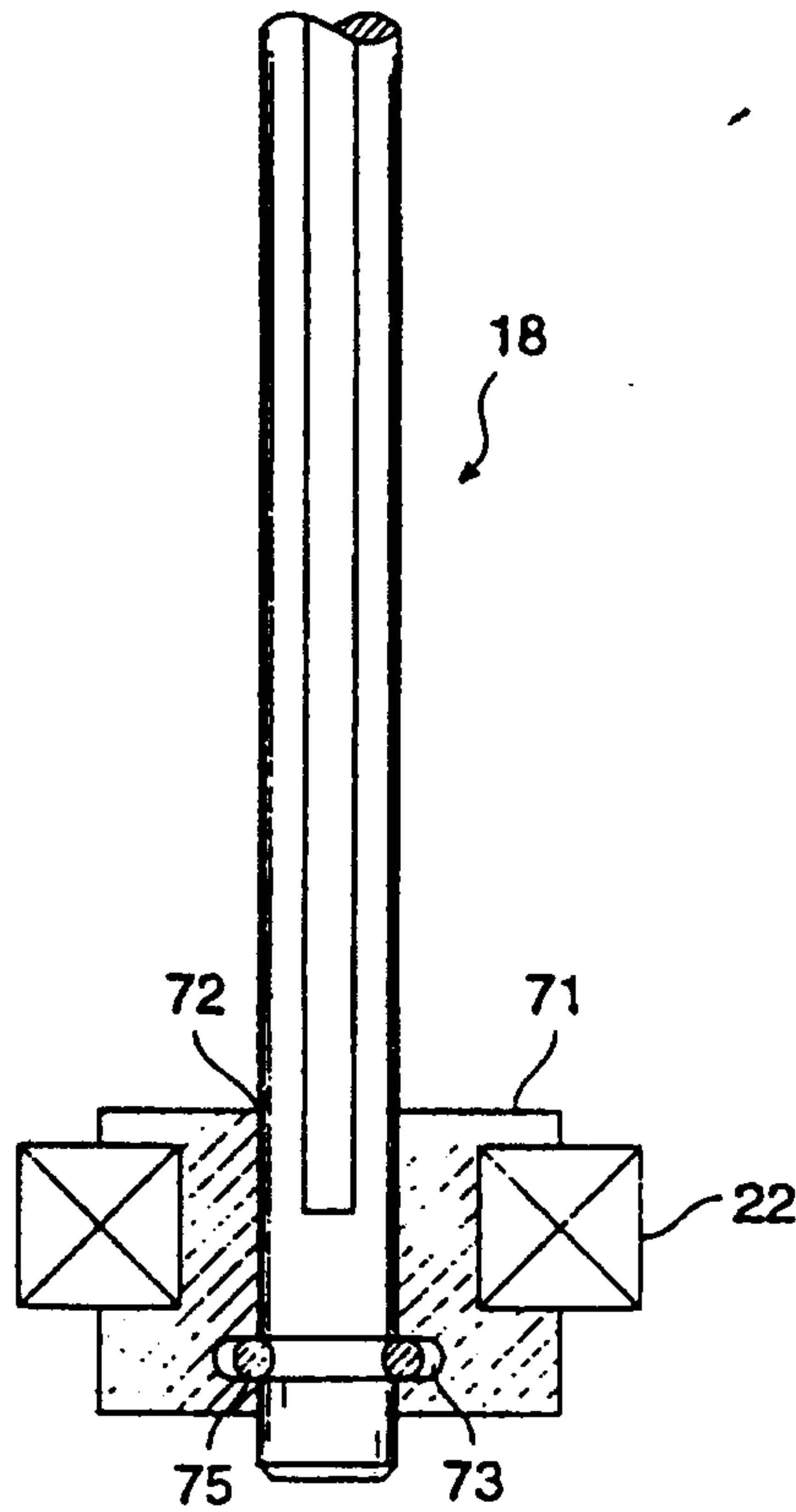


FIG. 7

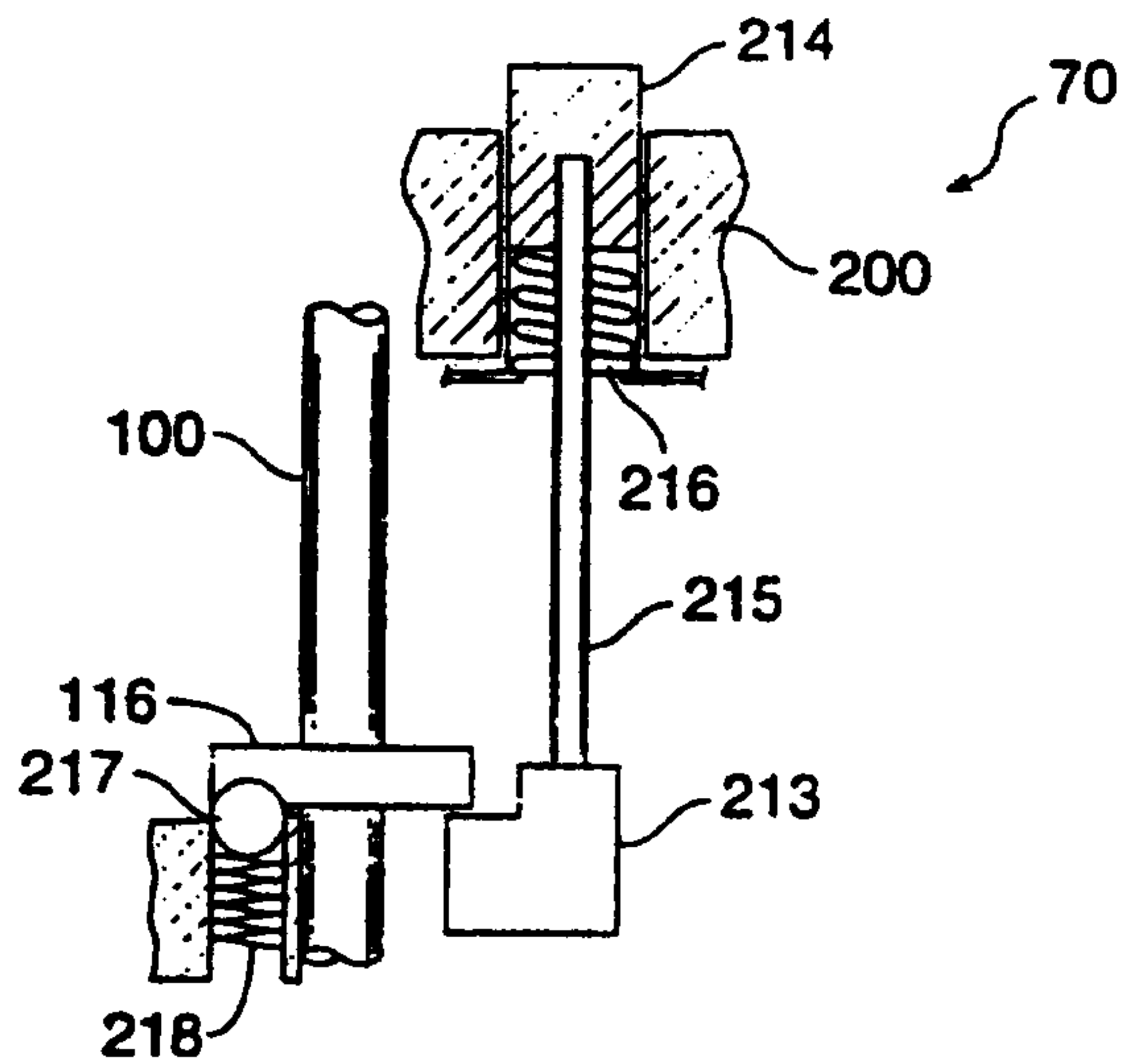


FIG. 8



