



(43) International Publication Date
31 July 2014 (31.07.2014)

- (51) International Patent Classification:
A47F 3/04 (2006.01)
- (21) International Application Number:
PCT/GR2013/000067
- (22) International Filing Date:
19 December 2013 (19.12.2013)
- (25) Filing Language: English
- (26) Publication Language: English
- (30) Priority Data:
20130100032 22 January 2013 (22.01.2013) GR
- (72) Inventor; and
- (71) Applicant : GIANNOPOULOS, Nikolaos [GR/GR]; 50 Poseidonos Av., 17562 P. Faliro Attikis (GR).
- (81) Designated States (unless otherwise indicated, for every kind of national protection available): AE, AG, AL, AM, AO, AT, AU, AZ, BA, BB, BG, BH, BN, BR, BW, BY, BZ, CA, CH, CL, CN, CO, CR, CU, CZ, DE, DK, DM, DO, DZ, EC, EE, EG, ES, FI, GB, GD, GE, GH, GM, GT,

HN, HR, HU, ID, IL, IN, IR, IS, JP, KE, KG, KN, KP, KR, KZ, LA, LC, LK, LR, LS, LT, LU, LY, MA, MD, ME, MG, MK, MN, MW, MX, MY, MZ, NA, NG, NI, NO, NZ, OM, PA, PE, PG, PH, PL, PT, QA, RO, RS, RU, RW, SA, SC, SD, SE, SG, SK, SL, SM, ST, SV, SY, TH, TJ, TM, TN, TR, TT, TZ, UA, UG, US, UZ, VC, VN, ZA, ZM, ZW.

(84) Designated States (unless otherwise indicated, for every kind of regional protection available): ARIPO (BW, GH, GM, KE, LR, LS, MW, MZ, NA, RW, SD, SL, SZ, TZ, UG, ZM, ZW), Eurasian (AM, AZ, BY, KG, KZ, RU, TJ, TM), European (AL, AT, BE, BG, CH, CY, CZ, DE, DK, EE, ES, FI, FR, GB, GR, HR, HU, IE, IS, IT, LT, LU, LV, MC, MK, MT, NL, NO, PL, PT, RO, RS, SE, SI, SK, SM, TR), OAPI (BF, BJ, CF, CG, CI, CM, GA, GN, GQ, GW, KM, ML, MR, NE, SN, TD, TG).

Published:
— with international search report (Art. 21(3))

(54) Title: FRUITS & VEGETABLES REFRIGERATOR JUICER

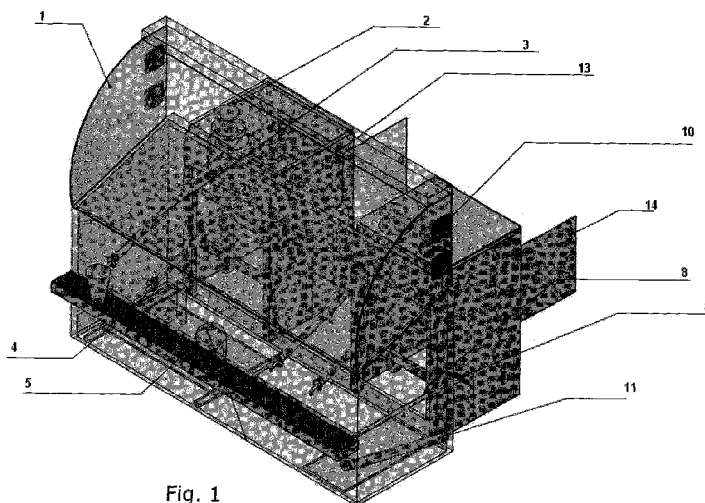


Fig. 1

(57) Abstract: The fruits & vegetables refrigerator juicer, for the domestic maintenance of the raw material and the preparation of natural fruits and vegetables juices, consists of a refrigerated display (1) which collects the base raw materials and juice extractors (2) in its reception where the fruits & vegetables are placed and through a specialized tube (3) manufactured by material approved for food use, the juice obtained is lead directly into the glass which is placed on the servicing grill rack (5) and then to the electric valve (8) and the hand gun (7) clears/cleans all parts that come in contact with the juice. The refrigerator's basic characteristic is that the production of natural juices is automated and the production of large numbers of fruit juices is also possible. The fruits & vegetables refrigerator juicer can be used in large food points and other productions/businesses that produce natural juices.

WO 2014/114960 A1

DESCRIPTION**FRUITS & VEGETABLES REFRIGERATOR JUICER**

The invention relates to the fruits & vegetables refrigerator juicer, which is used for the maintenance and production of natural fruits and vegetables juices.

The fruits & vegetables refrigerator juicer and its juice extractors are used widely for both home and professional maintenance and production of natural juice. Until today, the maintenance area of the raw material (fruits and vegetables) for the production of juices and the juicing device were these different devices.

The present invention relates to a maintenance refrigerator and fruits & vegetables juicer embedded in a device, which includes window display that lists the raw material, meaning fruits & vegetables, juicer which prepares/produces the natural juices and concludes by having the juice (from the juicers) pour directly to the glass which is located in front of the in front of the showcase. The fruits & vegetables refrigerator juicer may have a round shape, triangle, square and horizontal, depending on customer needs or request.

In accordance with this invention, this is achieved thanks to a tube, manufactured with a material approved for food, placed at an angle, which leads the product from the juicer directly into the glass, without the intervention of any third party. Once the consumer receives his/her juice, then the process of rinsing the juicer and rack of which the glasses are placed is followed.

The incorporation of the maintenance of the refrigerator & juicer, the direct injection of the final product into the glass and the automatic rinsing all the parts that come into contact with the product automates the preparation of the juice without the interference of human factors in any of the above procedures and in this way, it is possible to produce large numbers of different juices in a very short timeframe.

Figure 1 shows a perspective view of the invention, and Figure 2 shows the back side of the invention. The fruits & vegetables refrigerator juicer consists of a refrigerated display case (1) the

purpose of which is the promotion and preservation of fruits and vegetables from which the juice is produced, located in the back side where there are the juice extractors (2), which are centrifugal in order to separate the juice from the trash, where in its base there is an existing sewer pipe of water purification (11), and from the middle of the juicers' starts a tube (3) at the end of which, for there plastic clips and nozzles (4) and ends up at the front of the showcase of the refrigerator, where a grill rack is found (5), on top where the glass is located/situated in order for the juice to end up/arrive at.

On the back of the fruits & vegetables refrigerator juicer there is a controller (9) which consists of a pair of keyboard buttons (on/off) for the activation and termination of operating each juicer (2) and a pair of activation keys (on/off) of the electric valve (8), which is used for the rinsing of the grill rack (5) and connected to a water supply (6) for rinsing of all the points that come into contact with the final product, the juice.

The operator places the fruit which has been selected by the window in the juicer (2) and after pressing the operation initiator, this produces the juice that through the tube (3) result in the glass in front of the showrooms. Then the same operator activates the solenoid (8) which cleans the grill.

In opening the showcase, there are fans (10) for the prevention of any flying bug entering the showcase during the process of juice preparation of fruits & vegetables.

Located at the rear of the fruits & vegetables refrigerator juicer there are benches/boxes (12) where the juicers and collection container pulp residues are located (13), whereby the pulp residues end up. The benches/boxes are covered with "special covers" (14) where pulp residues' exporting from the containers takes place. A handgun is available between the benches/boxes of the juicers and the collection container pulp residue (7) used to rinse the juicers and the tube where the juice flows into the glasses/cups.

The above mentioned plans display four juicers, but this does not prevent the use of more juicers.

CLAIMS

1. The fruits & vegetables refrigerator juicer is characterized by a refrigerated display case (1) round shape, triangle, square or horizontal, which in the opening there are fans (10) to prevent flying bugs from entering inside, incorporated with juice extractors (2) which are centrifuged in order to be separated and the juice is obtained through a tube made with material approved for food use (3) placed at an angle, the extremity of which is plastic cover and nozzles (4), leads to the glass which is located on the servicing grill rack (5) and pulp residue resulting in the collection container bin (13) and is operated by a controller (9) which includes a pair of buttons (on/off) of the electric valve (8), by which the servicing grill is cleaned. On the other hand, the juicer (2) and the servicing juice tube (3) is cleaned with the handgun (7), which receive water from a specialized water supply (6) which is separated into two networks in which one ends up in the electric valve (8) and the other in the handgun (7).

All water after washing all parties lead to the drain line (11). The juice extractors (2) and containers of pulp residues (13) are in special benches/boxes (12), in the rear of the fruits & vegetables refrigerator juicer, with covers with exhaust ports (14).

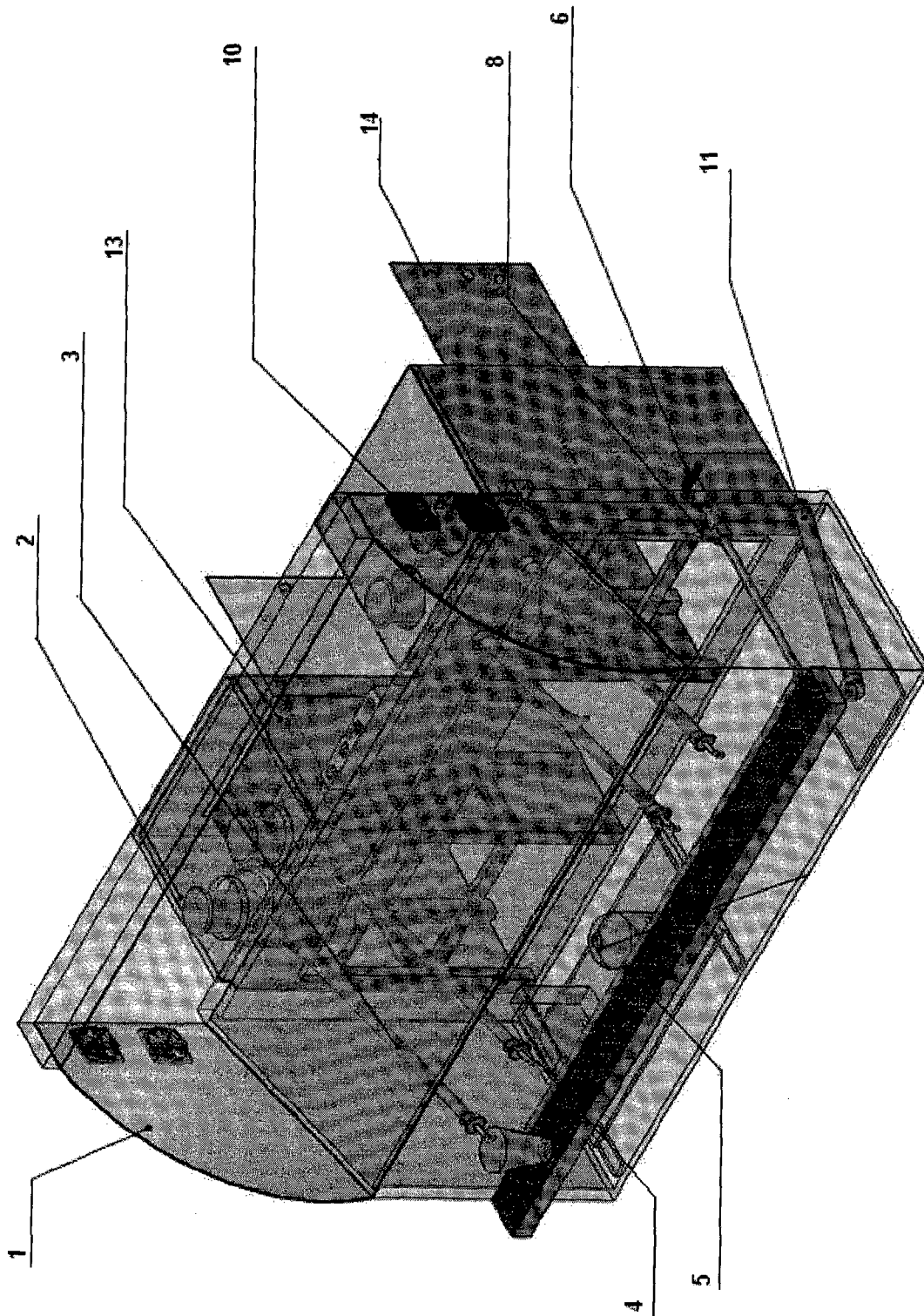


Fig. 1

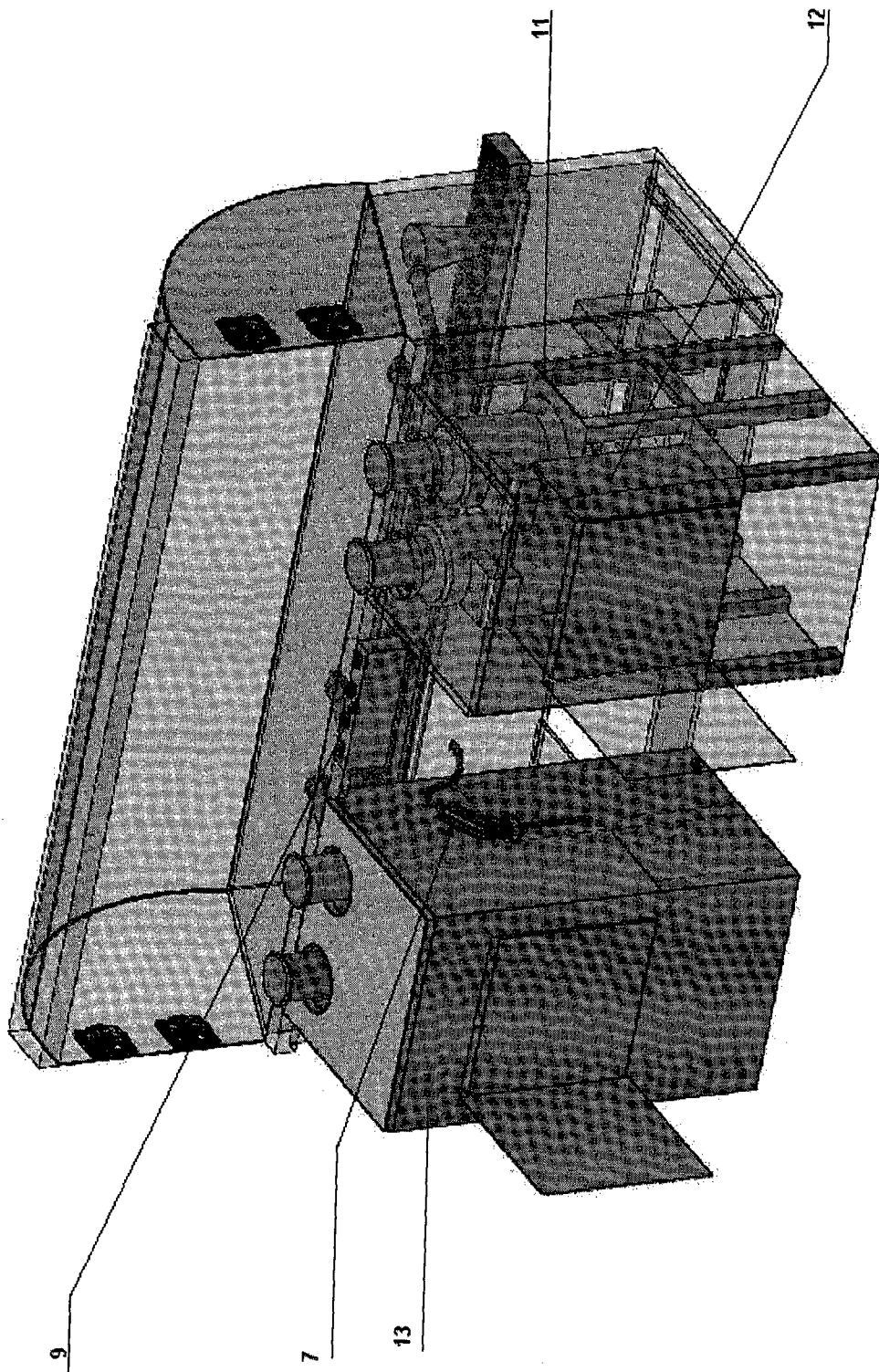


Fig. 2

INTERNATIONAL SEARCH REPORT

International application No PCT/GR2013/000067

A. CLASSIFICATION OF SUBJECT MATTER

INV. A47F3/04
ADD.

According to International Patent Classification (IPC) or to both national classification and IPC

B. FIELDS SEARCHED

Minimum documentation searched (classification system followed by classification symbols)
A47F

Documentation searched other than minimum documentation to the extent that such documents are included in the fields searched

Electronic data base consulted during the international search (name of data base and, where practicable, search terms used)

EPO-Internal, WPI Data

C. DOCUMENTS CONSIDERED TO BE RELEVANT

Category*	Citation of document, with indication, where appropriate, of the relevant passages	Relevant to claim No.
X	US 2008/028943 A1 (LEE CHANG SEOK [KR]) 7 February 2008 (2008-02-07) figures 1,2,4,7 <p style="text-align: center;">-----</p>	1-4

Further documents are listed in the continuation of Box C.

See patent family annex.

* Special categories of cited documents :

"A" document defining the general state of the art which is not considered to be of particular relevance

"E" earlier application or patent but published on or after the international filing date

"L" document which may throw doubts on priority claim(s) or which is cited to establish the publication date of another citation or other special reason (as specified)

"O" document referring to an oral disclosure, use, exhibition or other means

"P" document published prior to the international filing date but later than the priority date claimed

"T" later document published after the international filing date or priority date and not in conflict with the application but cited to understand the principle or theory underlying the invention

"X" document of particular relevance; the claimed invention cannot be considered novel or cannot be considered to involve an inventive step when the document is taken alone

"Y" document of particular relevance; the claimed invention cannot be considered to involve an inventive step when the document is combined with one or more other such documents, such combination being obvious to a person skilled in the art

"&" document member of the same patent family

Date of the actual completion of the international search

8 April 2014

Date of mailing of the international search report

16/04/2014

Name and mailing address of the ISA/

European Patent Office, P.B. 5818 Patentlaan 2
 NL - 2280 HV Rijswijk
 Tel. (+31-70) 340-2040,
 Fax: (+31-70) 340-3016

Authorized officer

Dezso, Gabor

INTERNATIONAL SEARCH REPORT

Information on patent family members

International application No

PCT/GR2013/000067

Patent document cited in search report	Publication date	Patent family member(s)	Publication date
US 2008028943	A1	07-02-2008	
		AU 2007202545 A1	07-02-2008
		JP 2008027419 A	07-02-2008
		TR 200705007 A2	22-10-2007
		US 2008028943 A1	07-02-2008
		ZA 200706431 A	28-05-2008
