



US00D493466S1

(12) **United States Design Patent**
Yu et al.

(10) **Patent No.:** **US D493,466 S**
(45) **Date of Patent:** **** Jul. 27, 2004**

(54) **MEMORY CARD**

(75) Inventors: **Gordon Yu, Hsin Chu (TW); Forli Wen, Hsin Chu (TW); Tony Chang, Hsin Chu (TW)**

(73) Assignee: **C-One Technology Corporation, Hsinchu (TW)**

(**) Term: **14 Years**

(21) Appl. No.: **29/193,018**

(22) Filed: **Nov. 1, 2003**

(30) **Foreign Application Priority Data**

Oct. 13, 2003 (TW) 92306208

(51) **LOC (7) Cl.** **14-02**

(52) **U.S. Cl.** **D14/436; D14/437**

(58) **Field of Search** **D14/432-438, D14/478-480; 361/736, 737, 682, 752; 257/678, 679; 235/487-495, 441, 442, 443, 375; 283/75, 76, 901; 439/135, 140, 76.1; D8/347**

(56) **References Cited**

U.S. PATENT DOCUMENTS

D444,473 S * 7/2001 Okamoto et al. D14/436
D445,111 S * 7/2001 Okamoto et al. D14/436

D446,525 S * 8/2001 Okamoto et al. D14/436
6,333,854 B1 * 12/2001 Sasaoka et al. 361/737
6,381,143 B1 * 4/2002 Nakamura 361/737
D457,887 S * 5/2002 Kadonaga D14/436
6,616,053 B2 * 9/2003 Kondo et al. 235/492
2003/0193785 A1 * 10/2003 Nakanishi et al. 361/737
2003/0198028 A1 * 10/2003 Nakanishi et al. 361/737

* cited by examiner

Primary Examiner—Kay H. Chin

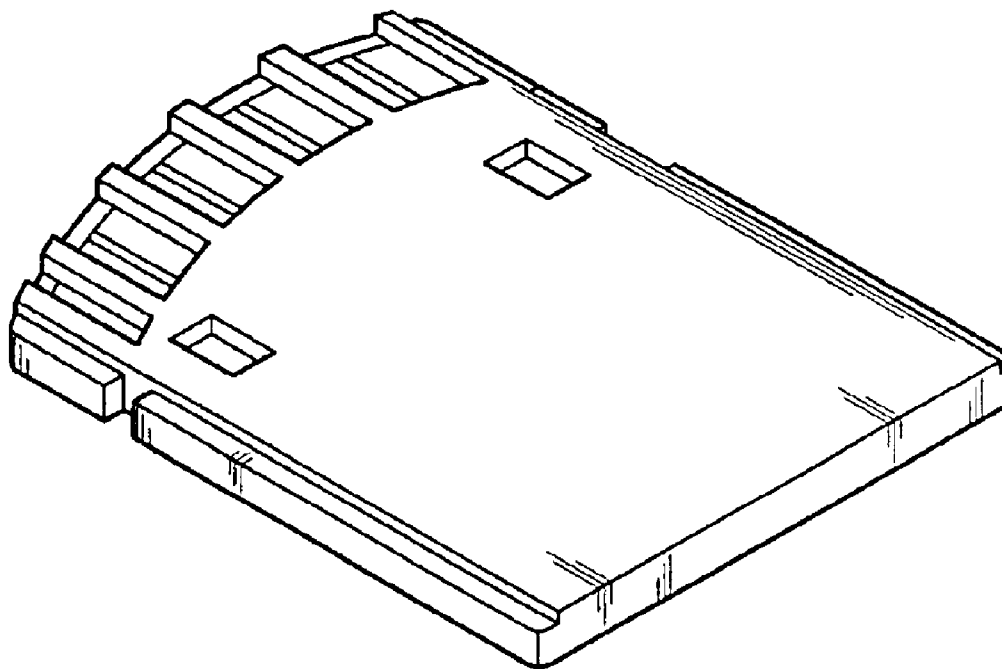
(57) **CLAIM**

The ornamental design for memory card, as shown and described.

DESCRIPTION

FIG. 1 is a perspective view of memory card showing my new design;
FIG. 2 is a front elevational view thereof;
FIG. 3 is a rear elevational view thereof;
FIG. 4 is a left side elevational view thereof;
FIG. 5 is right side elevational view thereof;
FIG. 6 is a top view thereof;
FIG. 7 is a bottom view thereof;
FIG. 8 is a perspective view of a second embodiment of the memory card; and,
FIG. 9 is a perspective view of a third embodiment of the memory card.

1 Claim, 9 Drawing Sheets



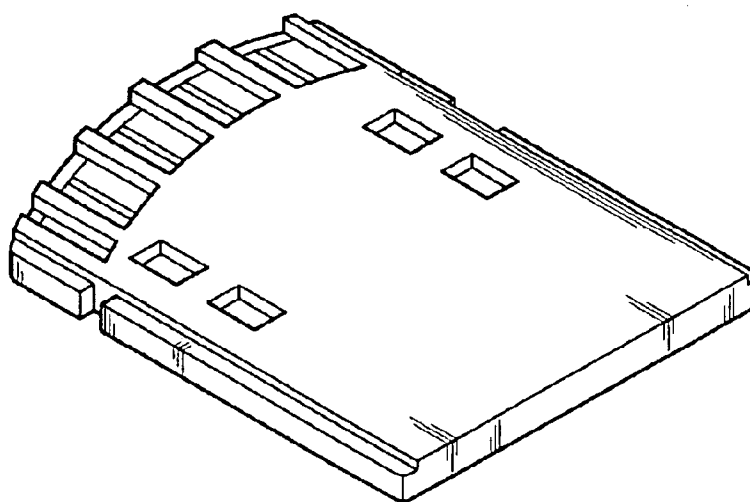


FIG. 1

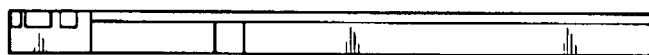


FIG. 2

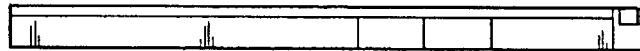


FIG. 3



FIG. 4



FIG. 5

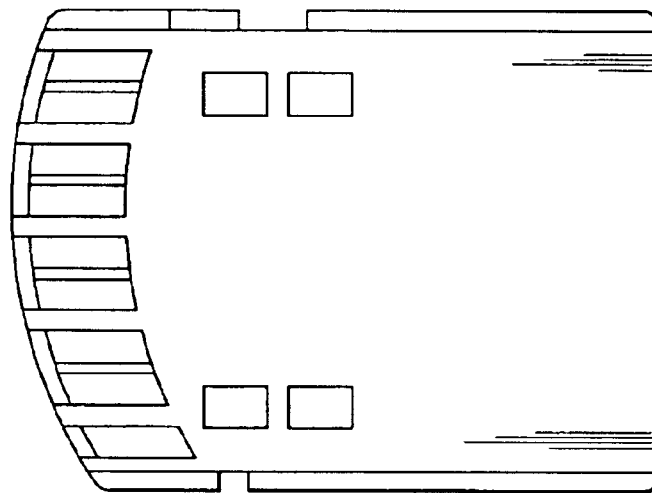


FIG. 6

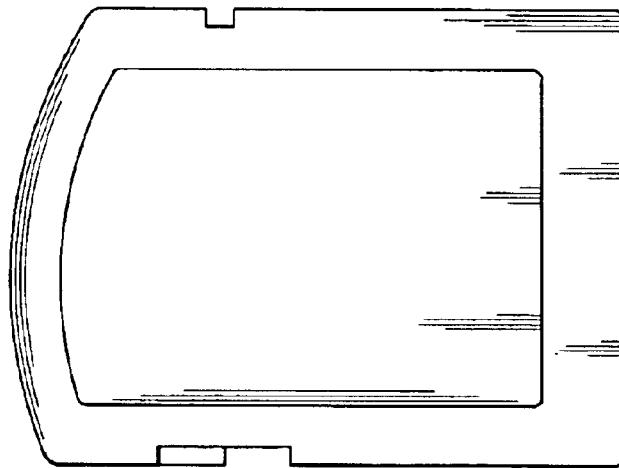


FIG. 7

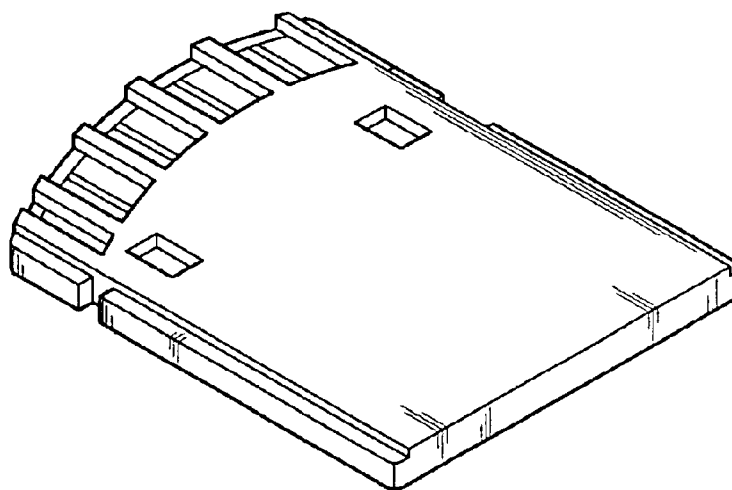


FIG. 8

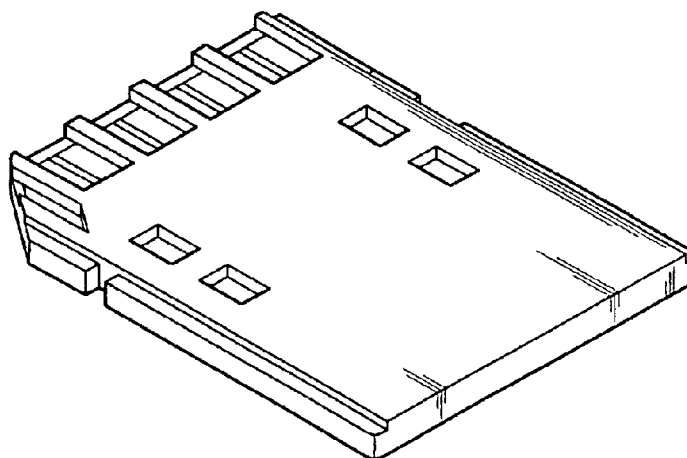


FIG. 9