



US00D496541S1

(12) **United States Design Patent**  
**Wang**

(10) **Patent No.:** **US D496,541 S**

(45) **Date of Patent:** **\*\* Sep. 28, 2004**

(54) **LONG-HANDLED SPRAY GUN DISPLAY RACKET (I)**

D425,332 S \* 5/2000 Buchanan ..... D6/476  
D440,256 S \* 4/2001 Wang ..... D20/10

(76) Inventor: **King-Yuan Wang**, No. 1, Lane 288,  
Sec. 1, Lu Kang Chen, Changhua Hsien  
(TW)

\* cited by examiner

*Primary Examiner*—Dominic Simone  
(74) *Attorney, Agent, or Firm*—TroxeLL Law Office PLLC

(\*\*) Term: **14 Years**

(57) **CLAIM**

(21) Appl. No.: **29/133,906**

The ornamental design for “long-handled spray gun display racket (I),” as shown and described.

(22) Filed: **Dec. 6, 2000**

**DESCRIPTION**

(51) **LOC (7) Cl.** ..... **06-04**

FIG. 1 is a perspective view of long-handled spray gun display racket (I) showing my new design;  
FIG. 2 is a front view thereof;  
FIG. 3 is a rear view thereof;  
FIG. 4 is a left and right side view thereof,  
FIG. 5 is top view thereof; and  
FIG. 6 is a bottom view thereof; and,  
FIG. 7 is a perspective view of a long-handled spray gun displayed on the racket.

(52) **U.S. Cl.** ..... **D6/466**

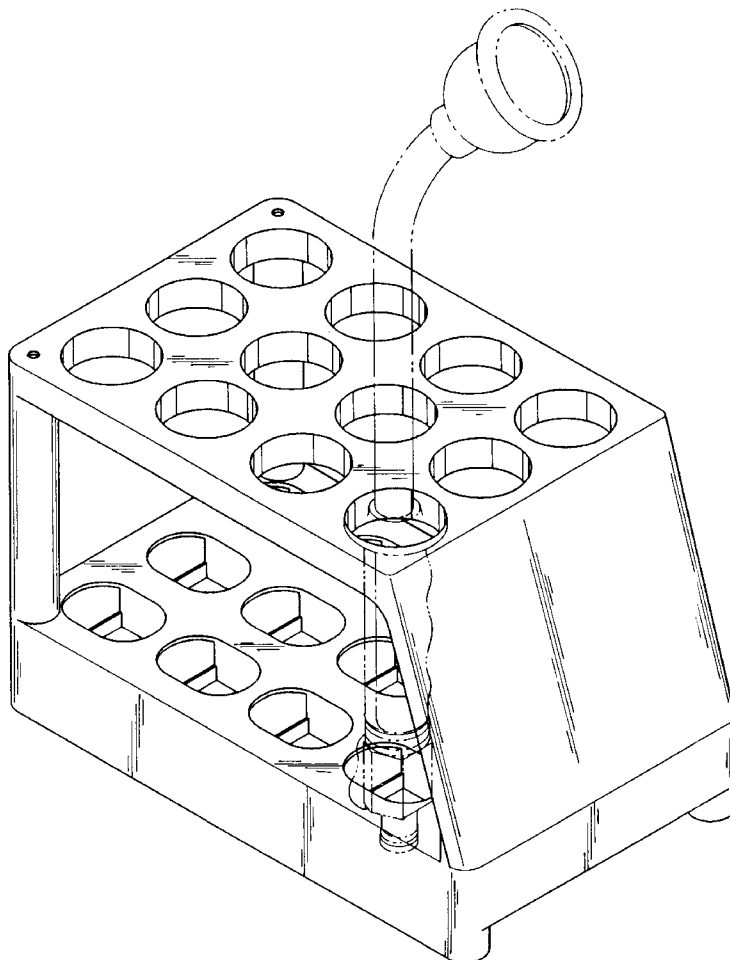
(58) **Field of Search** ..... D6/396, 449, 466,  
D6/467; 211/27, 60.1, 70.4, 70.6

(56) **References Cited**

**U.S. PATENT DOCUMENTS**

D137,677 S \* 4/1944 Fibus ..... D6/476  
D156,367 S \* 12/1949 Poynter ..... D6/476  
5,617,960 A \* 4/1997 Bishop ..... 211/60.1  
5,823,363 A \* 10/1998 Cassel ..... 211/60.1

**1 Claim, 5 Drawing Sheets**



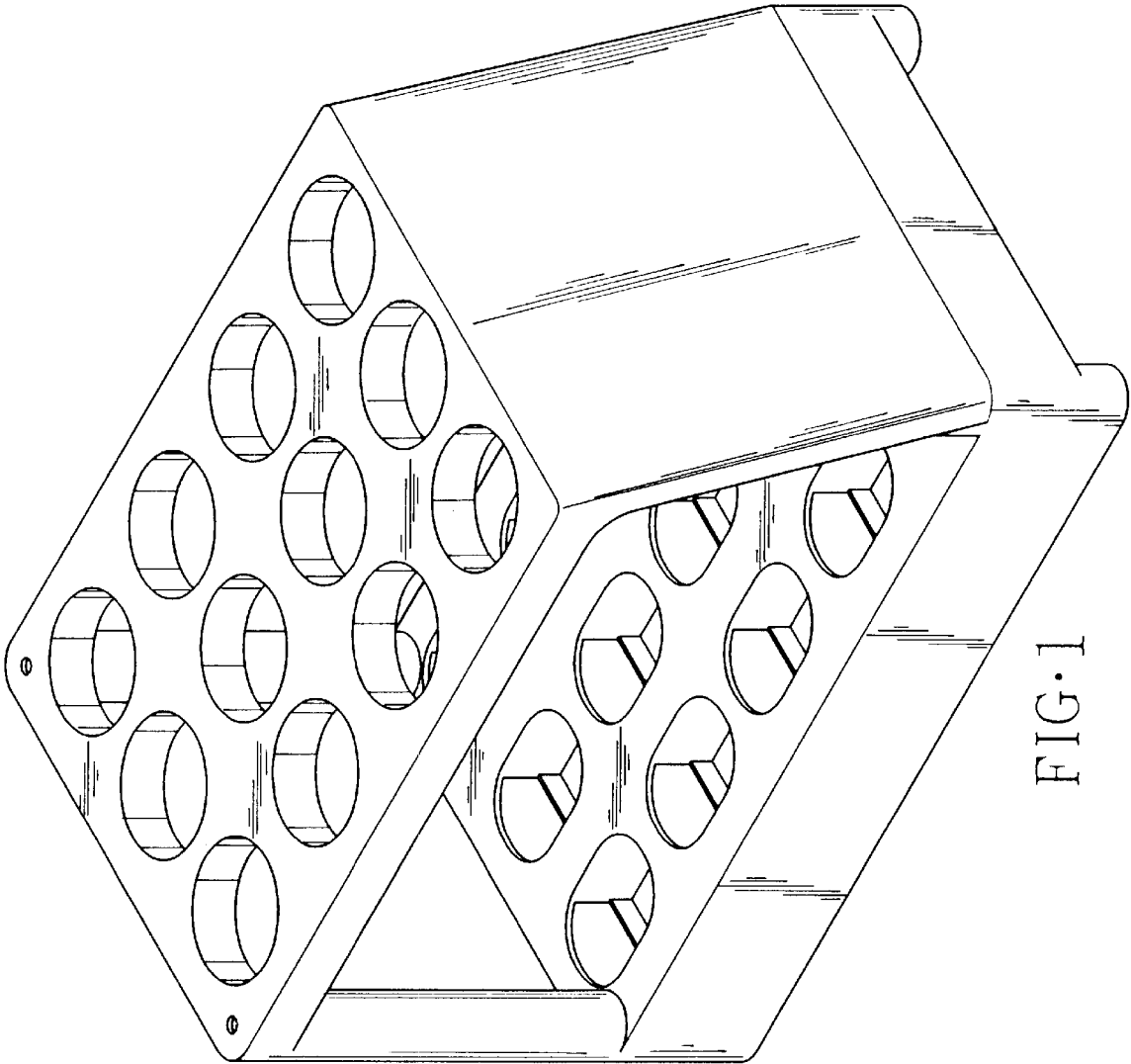


FIG. 1

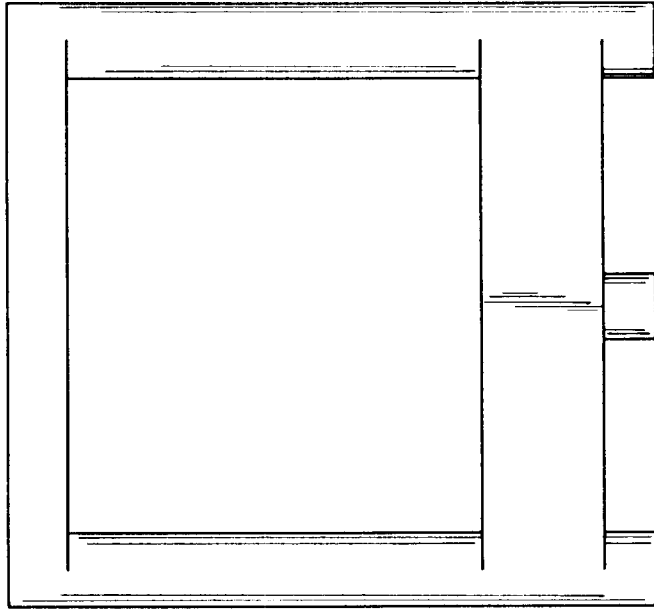


FIG. 3

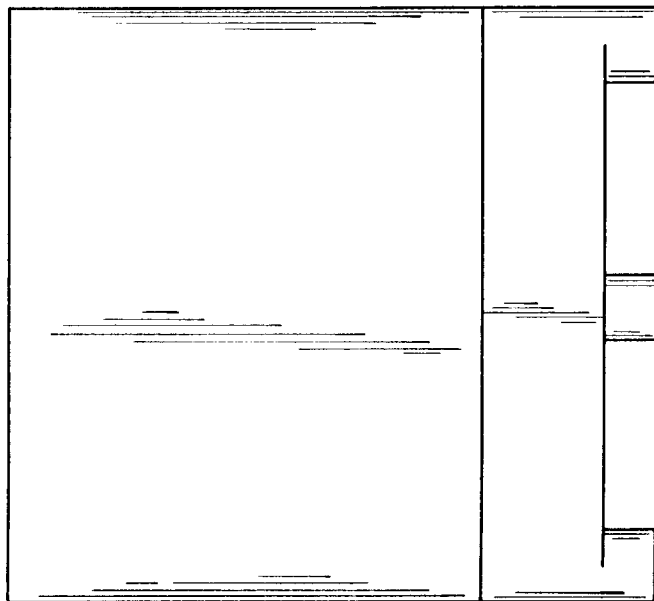


FIG. 2

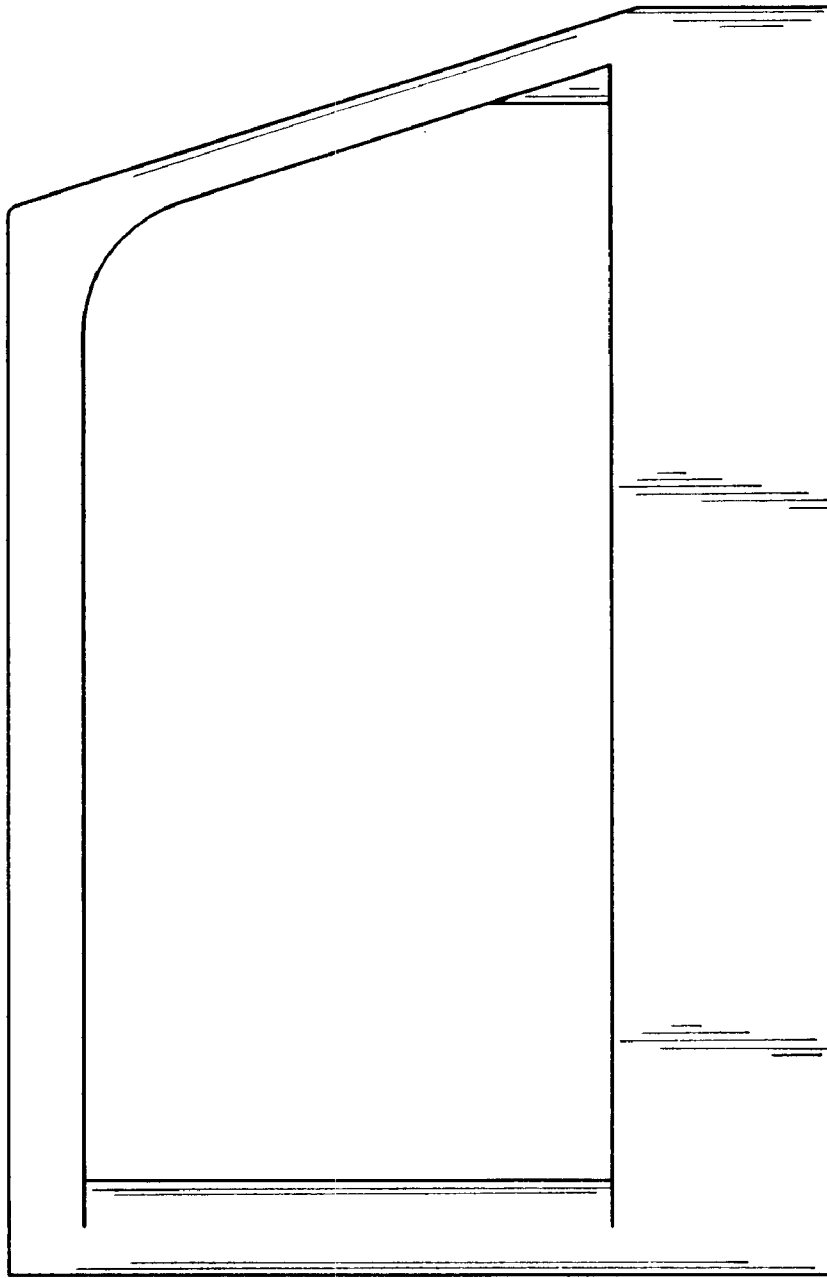


FIG. 4

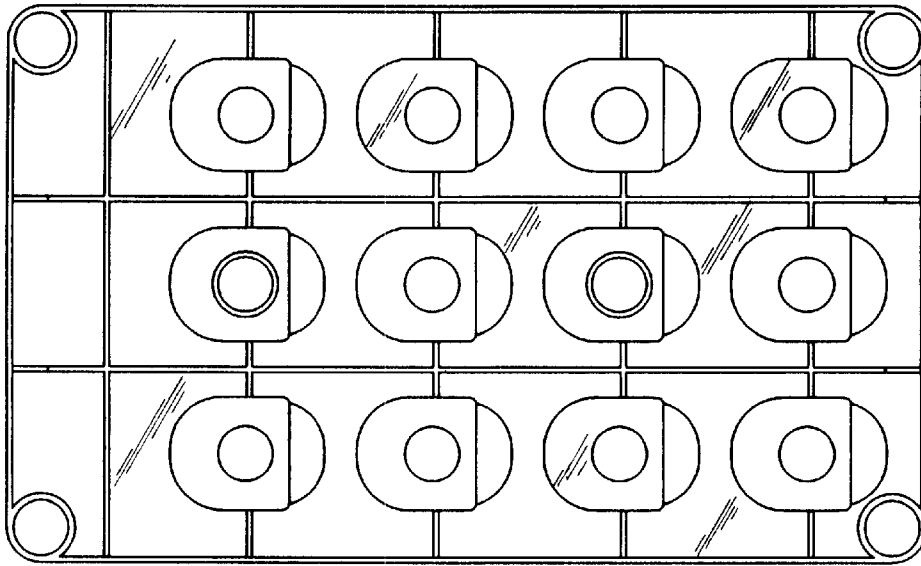


FIG. 6

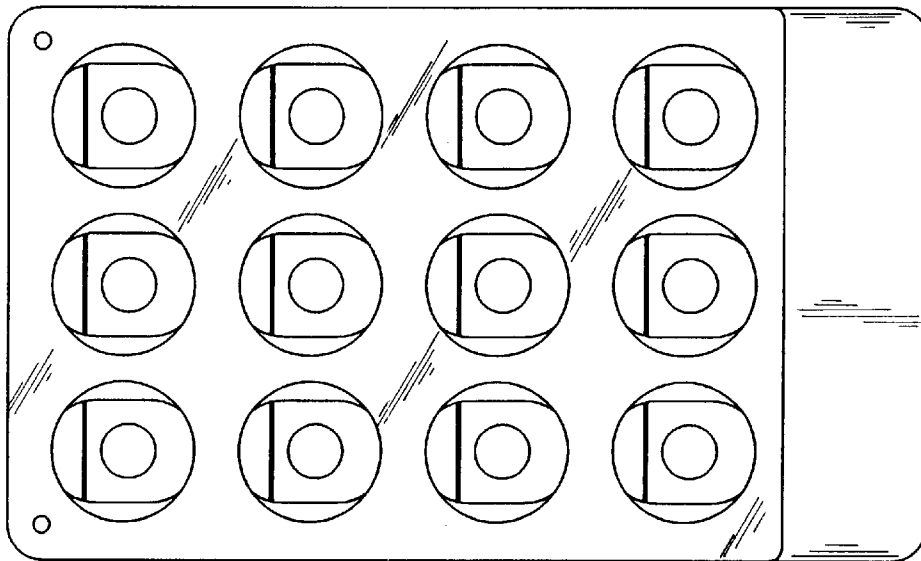


FIG. 5

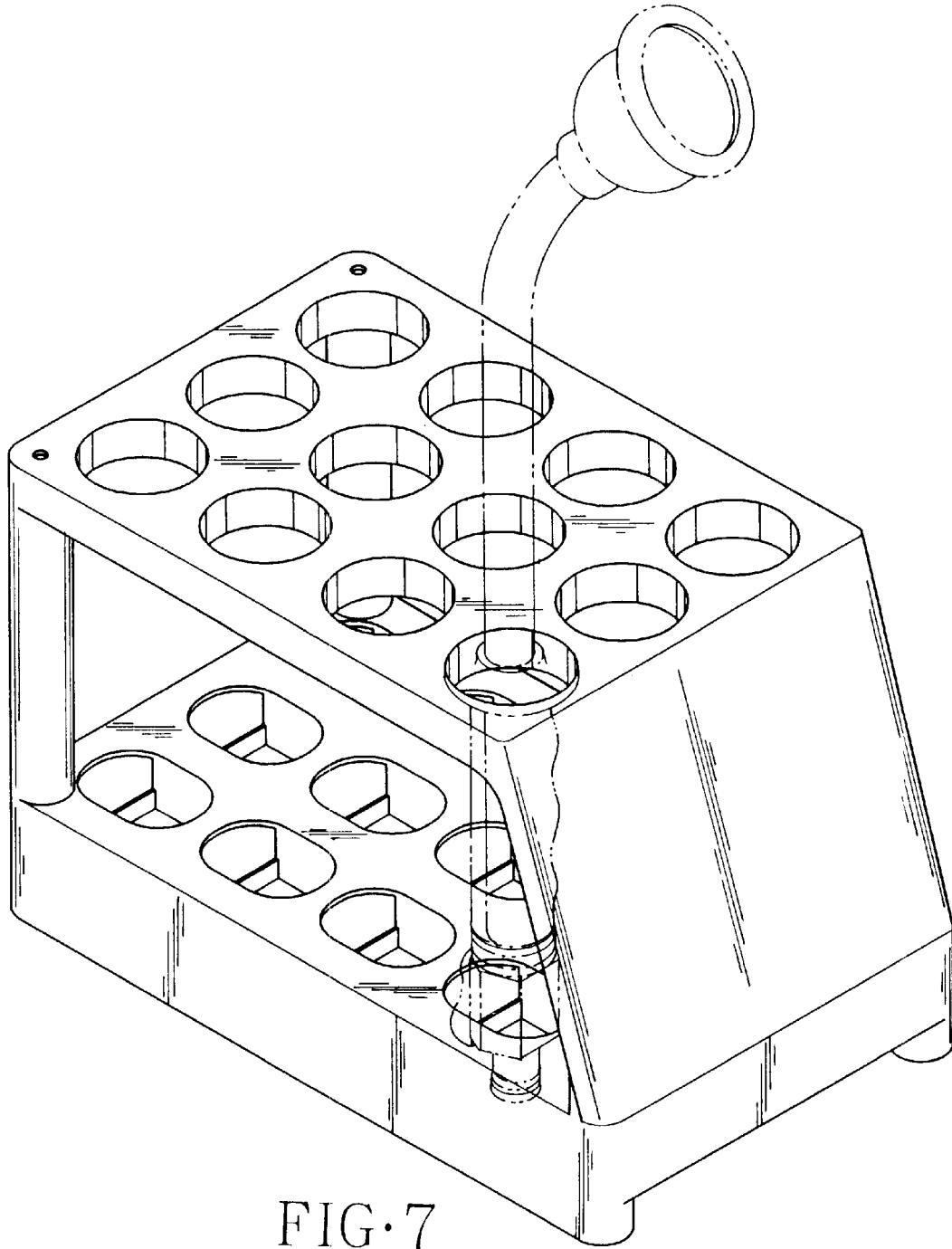


FIG. 7