



US00D769787S

(12) **United States Design Patent** (10) **Patent No.:** **US D769,787 S**
Schweiger et al. (45) **Date of Patent:** **** Oct. 25, 2016**

(54) ADJUSTABLE PADDLE SHAFT	8,043,020 B2 * 10/2011 Peng	F16B 7/149 403/109.4
(71) Applicants: Michael Schweiger , Paia, HI (US); Robert Staunton Naish , Haiku, HI (US)	8,235,760 B2 * 8/2012 Rechner	B63H 16/04 440/101
(72) Inventors: Michael Schweiger , Paia, HI (US); Robert Staunton Naish , Haiku, HI (US)	D680,941 S * 4/2013 Deppen	D12/215
	D739,804 S * 9/2015 Schweiger	D12/215
	9,327,814 B2 * 5/2016 Packer	B63H 16/04
	2006/0252317 A1 * 11/2006 Matuska	B63H 16/04 440/102
	2012/0028519 A1 * 2/2012 Rechner	B63H 16/04 440/103
(73) Assignee: Nalu Kai Incorporated , Haiku, HI (US)	2014/0248075 A1 * 9/2014 Lee	B63H 16/04 403/109.1

(**) Term: **15 Years**

(21) Appl. No.: **29/537,087**

(22) Filed: **Aug. 21, 2015**

Related U.S. Application Data

(62) Division of application No. 29/442,660, filed on Apr. 12, 2013, now Pat. No. Des. 739,804.

(51) **LOC (10) Cl.** **12-06**

(52) **U.S. Cl.**
USPC **D12/215**

(58) **Field of Classification Search**
USPC D12/215
CPC B63H 16/04; B63H 2016/043; B63H 2016/046

See application file for complete search history.

References Cited

U.S. PATENT DOCUMENTS

D362,834 S *	10/1995	Stout	D12/215
6,022,255 A *	2/2000	Lukanovich	B63H 16/04 440/101
6,544,087 B1 *	4/2003	Peng	B63H 16/04 440/101
7,367,858 B2 *	5/2008	Matuska	B63H 16/04 440/101
D632,241 S *	2/2011	Okuda	D12/215

* cited by examiner

Primary Examiner — George D Kirschbaum

Assistant Examiner — Clese Moore, Jr.

(74) *Attorney, Agent, or Firm* — Keri Ann K. S. Krzykowski; Martin E. Hsia

(57) **CLAIM**

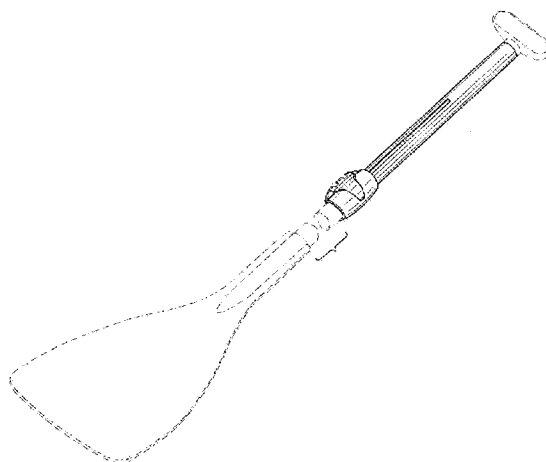
The ornamental design for an adjustable paddle shaft, as shown and described.

DESCRIPTION

FIG. 1 is a perspective view of the adjustable paddle shaft of our new design from the front top; FIG. 2 is an elevational view thereof from the front; FIG. 3 is an elevational view thereof from the rear; FIG. 4 is a top plan view thereof; FIG. 5 is a bottom plan view thereof; FIG. 6 is an elevational view thereof from the right; FIG. 7 is an elevational view thereof from the left; FIG. 8 is an elevational cross-sectional view thereof from the right, taken along line 8-8 in FIG. 4; FIG. 9 is a perspective view thereof from the front right; and, FIG. 10 is an exploded perspective cross-sectional view thereof from the front right.

The broken lines illustrated show portions of the adjustable paddle shaft that form no part of the claimed design.

1 Claim, 6 Drawing Sheets



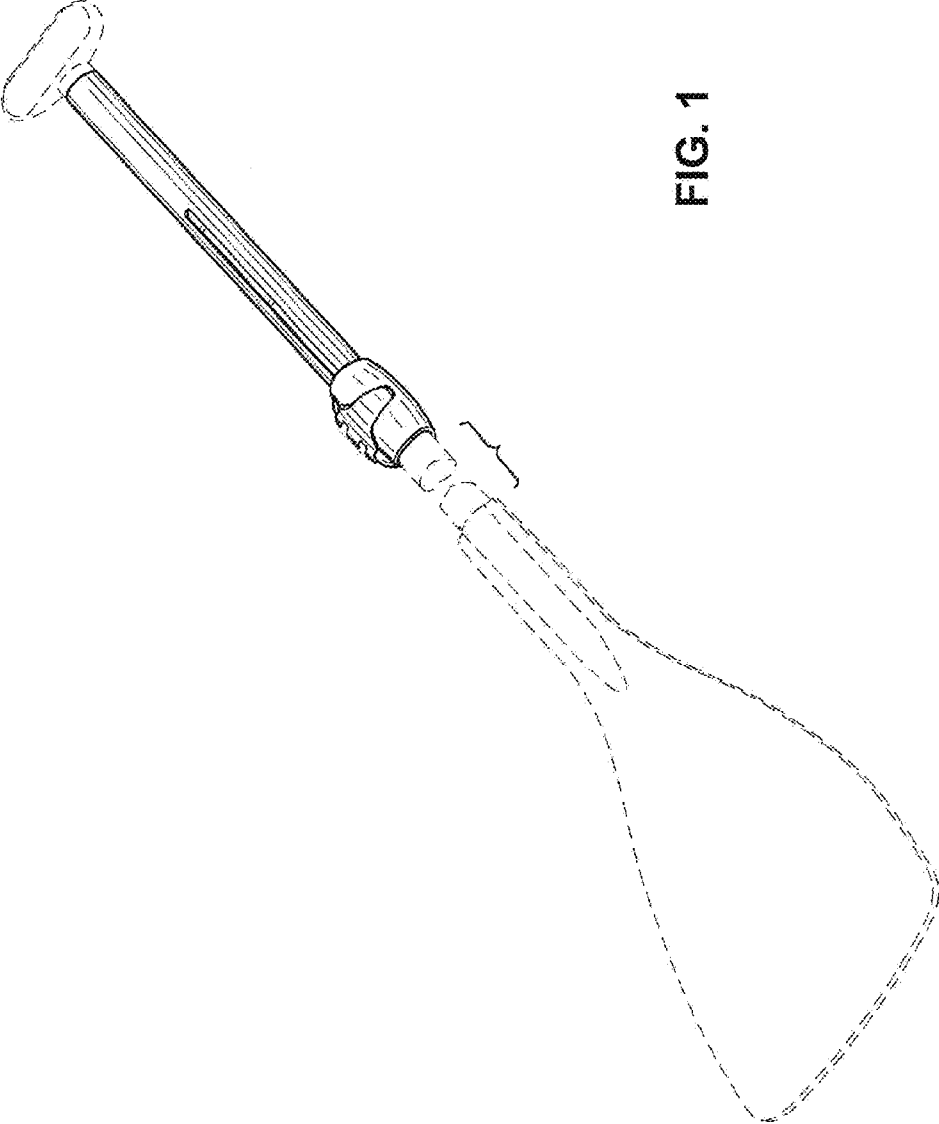


FIG. 1

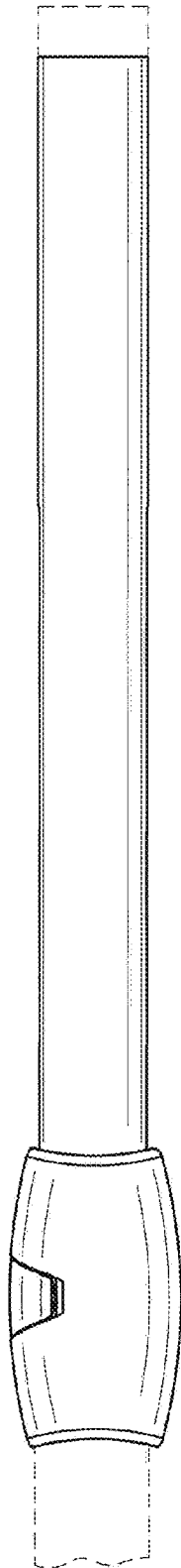


FIG. 2

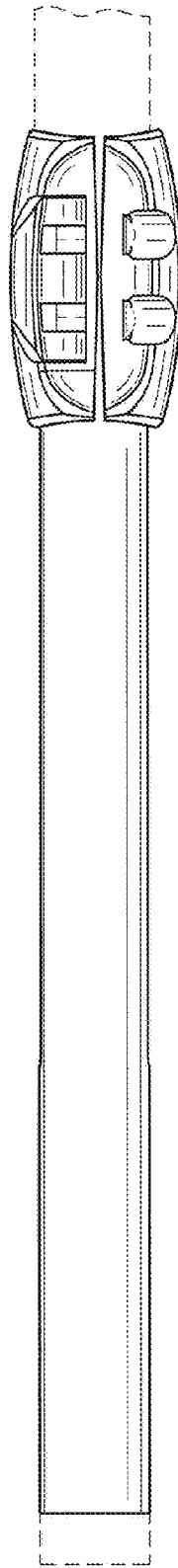
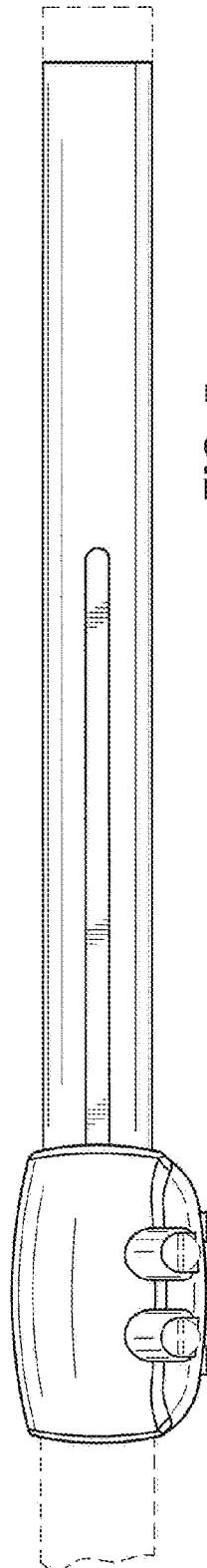
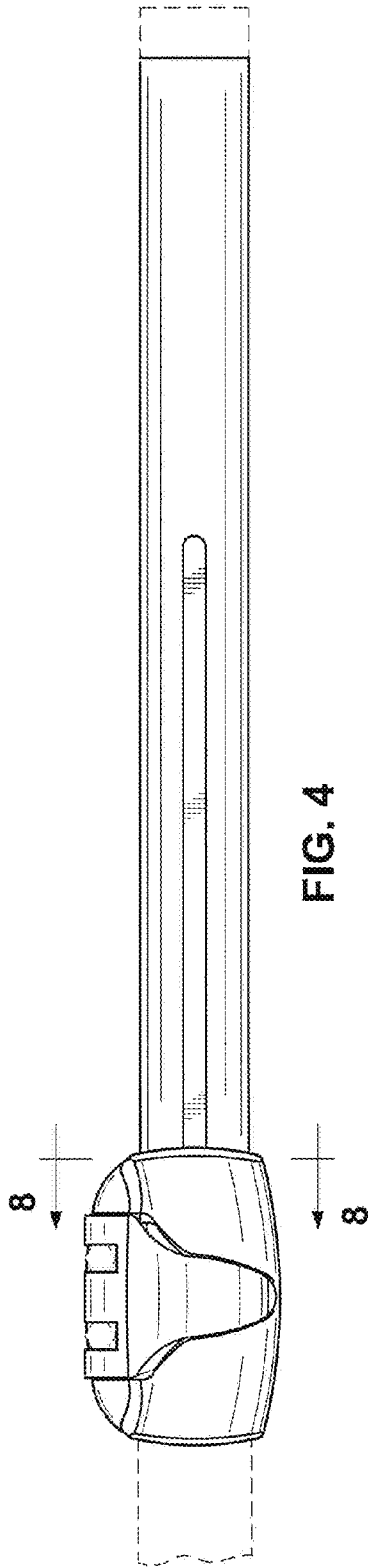


FIG. 3



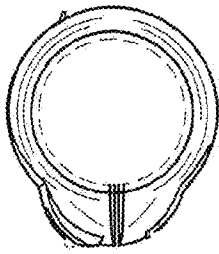


FIG. 7

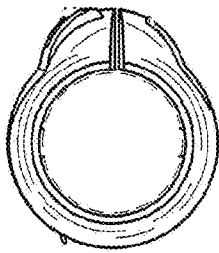


FIG. 6

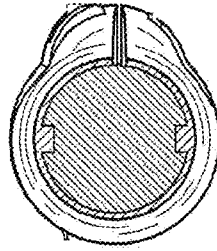


FIG. 8

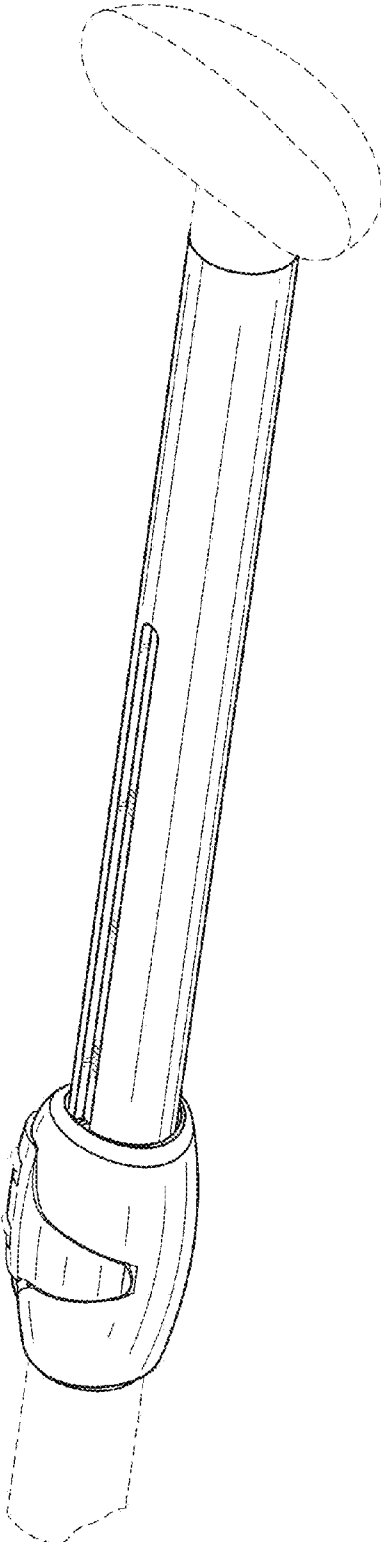


FIG. 9

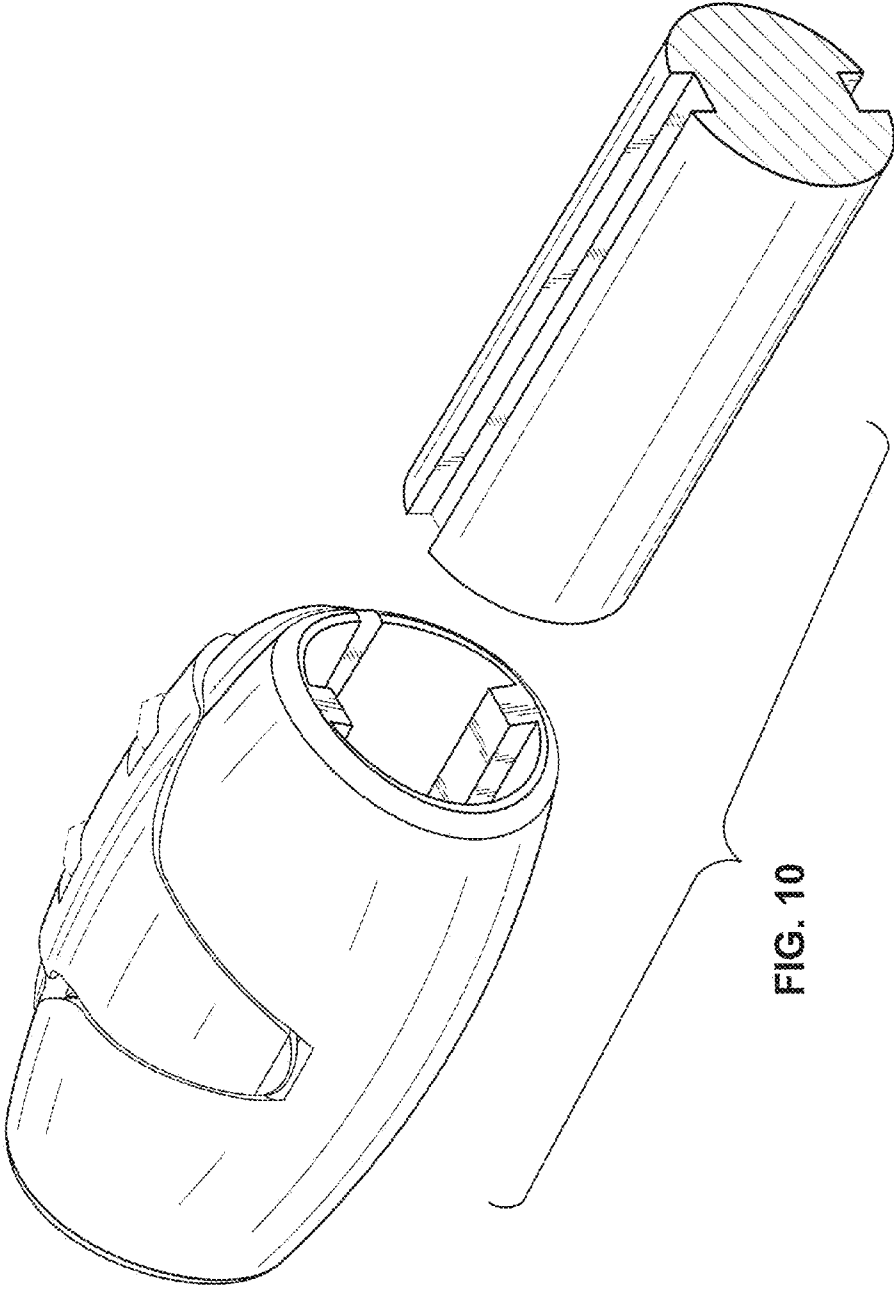


FIG. 10