



US0D1022575S

(12) **United States Design Patent**  
**Wang**

(10) **Patent No.:** **US D1,022,575 S**  
(45) **Date of Patent:** **\*\* Apr. 16, 2024**

- (54) **COOKING STOVE**
- (71) Applicant: **Chaosen Wang**, Xinyi (CN)
- (72) Inventor: **Chaosen Wang**, Xinyi (CN)
- (\*\*) Term: **15 Years**
- (21) Appl. No.: **29/812,722**
- (22) Filed: **Oct. 24, 2021**

2013/0029024 A1\* 1/2013 Warren ..... A23L 5/15  
426/523  
2017/0079460 A1\* 3/2017 Steputis ..... A47J 36/02  
2019/0038075 A1\* 2/2019 Cownie ..... F24B 7/005  
2022/0160166 A1\* 5/2022 Zhang ..... F24B 1/028

**FOREIGN PATENT DOCUMENTS**

CN 306102645 \* 10/2020

**OTHER PUBLICATIONS**

Collapsible Rocket Stove, StarBlue. First available, May 11, 2020 [online]. [site visited Sep. 1, 2023]. Available from internet, URL: <https://www.amazon.com/> (Year: 2020).\*

Rocket Stove, Apromise. First available, Aug. 31, 2022 [online]. [site visited Sep. 1, 2023]. Available from internet, URL: <https://www.amazon.com/> (Year: 2022).\*

\* cited by examiner

*Primary Examiner* — Janice Patyk  
*Assistant Examiner* — Kendra L Hebel  
(74) *Attorney, Agent, or Firm* — Jeenam Park

(57) **CLAIM**

The ornamental design for a cooking stove, as shown and described.

**DESCRIPTION**

FIG. 1 is a perspective view of a cooking stove, showing my new design;  
FIG. 2 is another perspective view thereof;  
FIG. 3 is a front view thereof;  
FIG. 4 is a rear view thereof;  
FIG. 5 is a left side view thereof;  
FIG. 6 is a right side view thereof;  
FIG. 7 is a top plan view thereof; and,  
FIG. 8 is a bottom plan view thereof.  
The broken lines shown in the drawings illustrate portions of the cooking stove that form no part of the claimed design.

**1 Claim, 8 Drawing Sheets**

(30) **Foreign Application Priority Data**

Oct. 18, 2021 (EM) ..... 008728059-0001

(51) **LOC (14) Cl.** ..... **07-02**

(52) **U.S. Cl.**  
USPC ..... **D7/332**

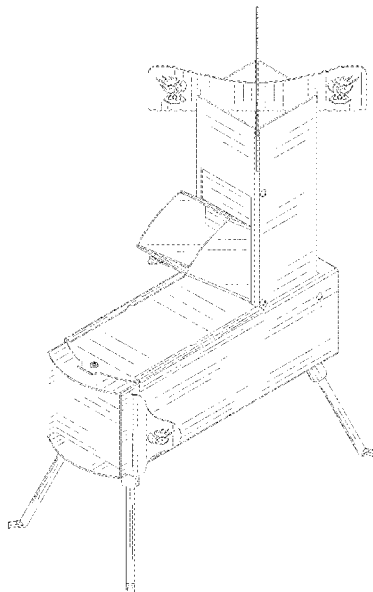
(58) **Field of Classification Search**  
USPC ..... D7/323, 328, 332, 334–339, 347, 348,  
D7/362, 367; D23/342, 343, 350  
CPC .... A47J 37/04; A47J 37/0623; A47J 37/0664;  
A47J 37/07; A47J 37/0704; A47J  
37/0718; A47J 37/0763; A47J 37/0781;  
A47J 2037/0777; F24B 1/00; F24B  
1/022; F24B 1/18; F24B 1/181; F24B  
1/182; F24B 1/202; F24B 1/205; F24B  
1/22

See application file for complete search history.

(56) **References Cited**

**U.S. PATENT DOCUMENTS**

D187,318 S \* 2/1960 Jones ..... D7/332  
D917,221 S \* 4/2021 Waldner ..... D7/335  
D938,003 S \* 12/2021 Ming ..... D23/343  
D963,396 S \* 9/2022 Sun ..... D7/332  
D978,597 S \* 2/2023 Ritchie ..... D7/348  
D980,664 S \* 3/2023 Huang ..... D7/337



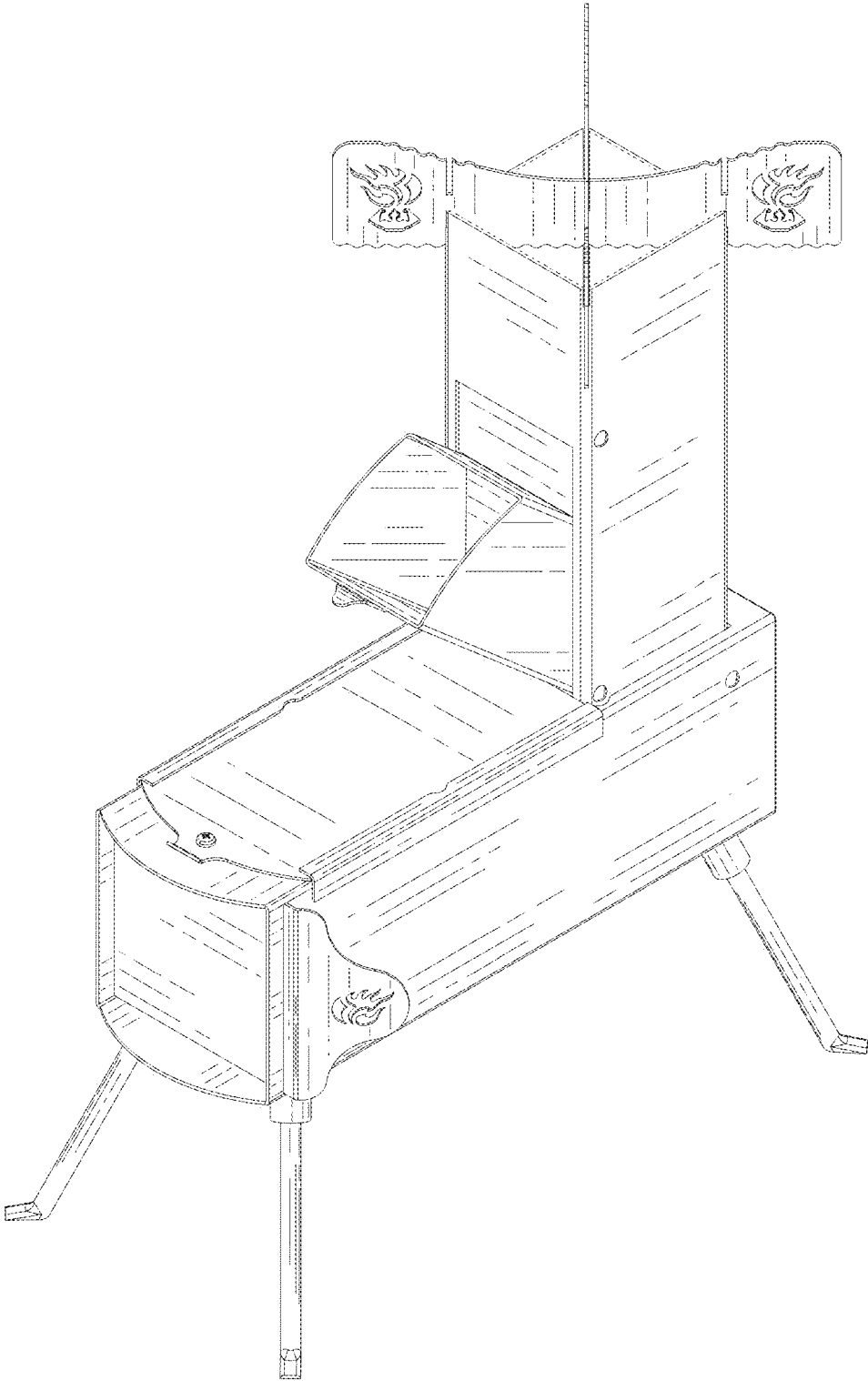


FIG. 1

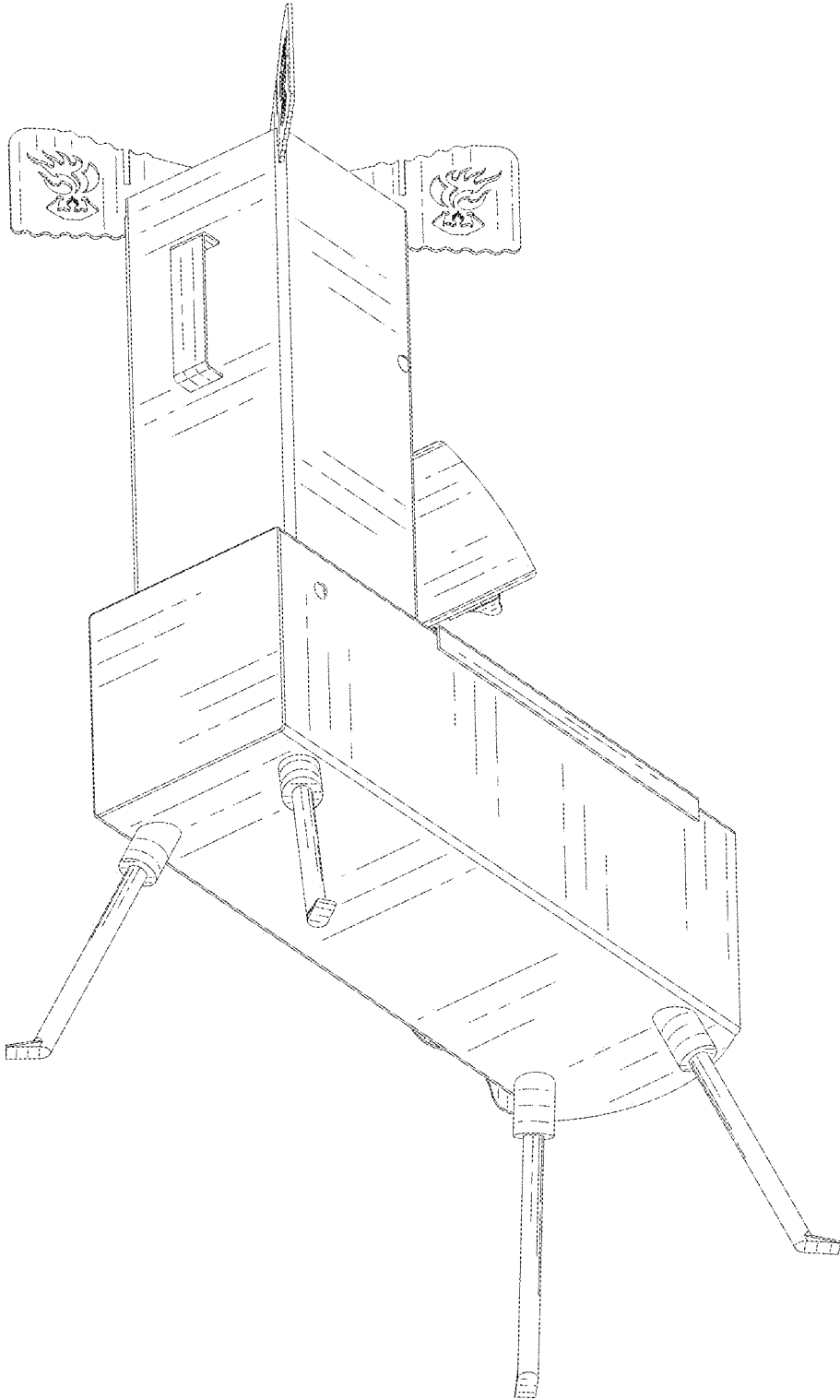


FIG. 2

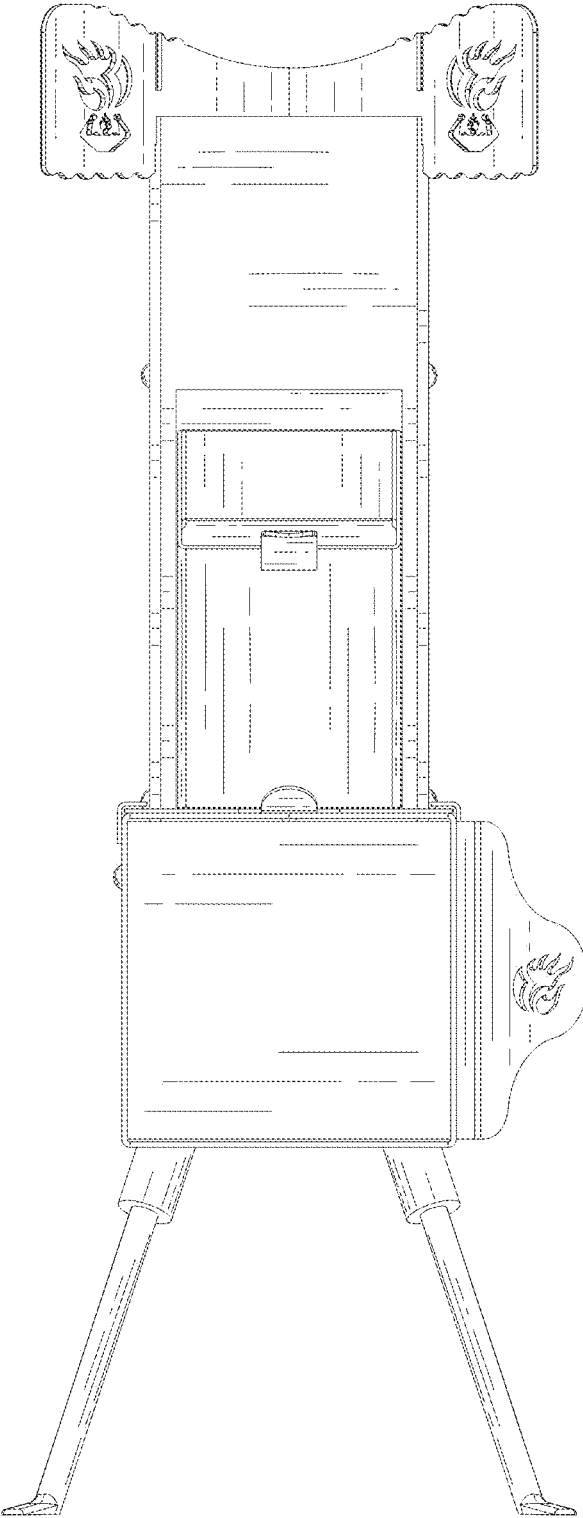


FIG. 3

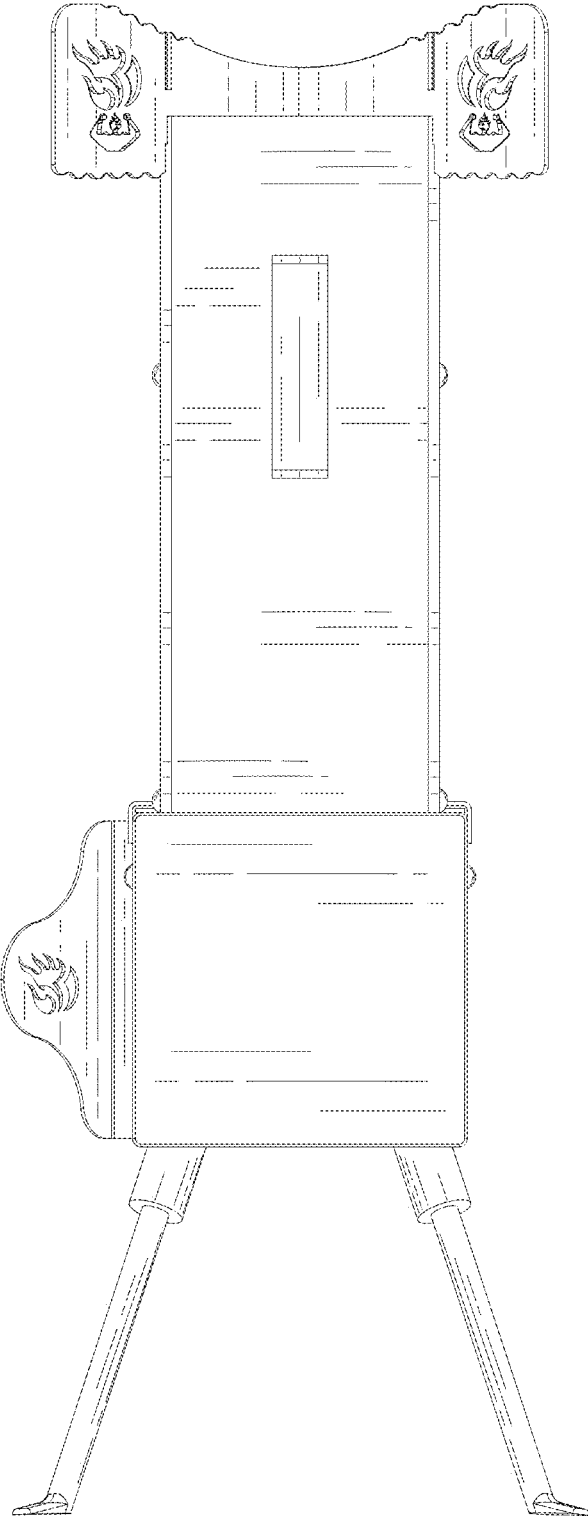


FIG. 4

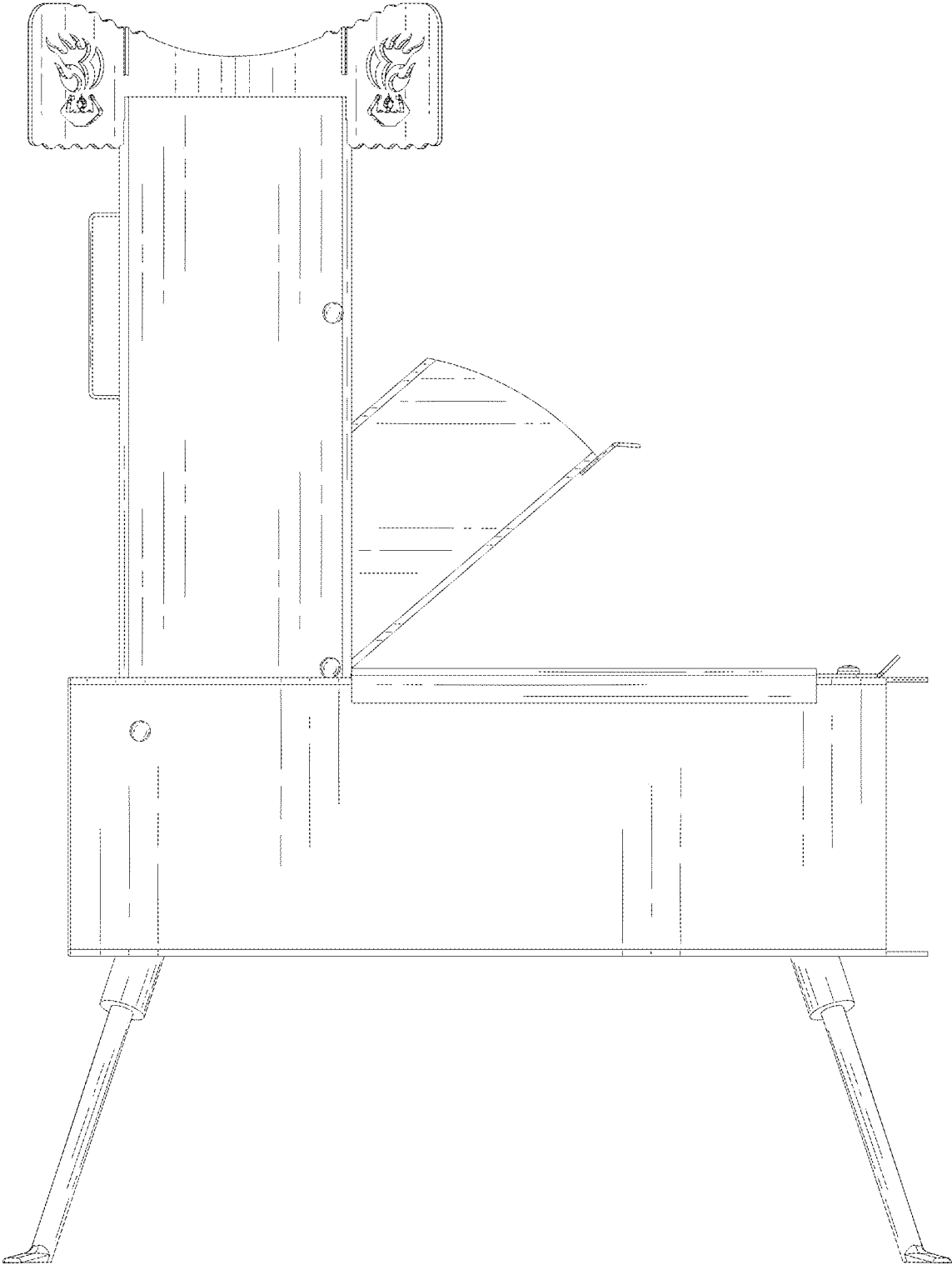


FIG. 5

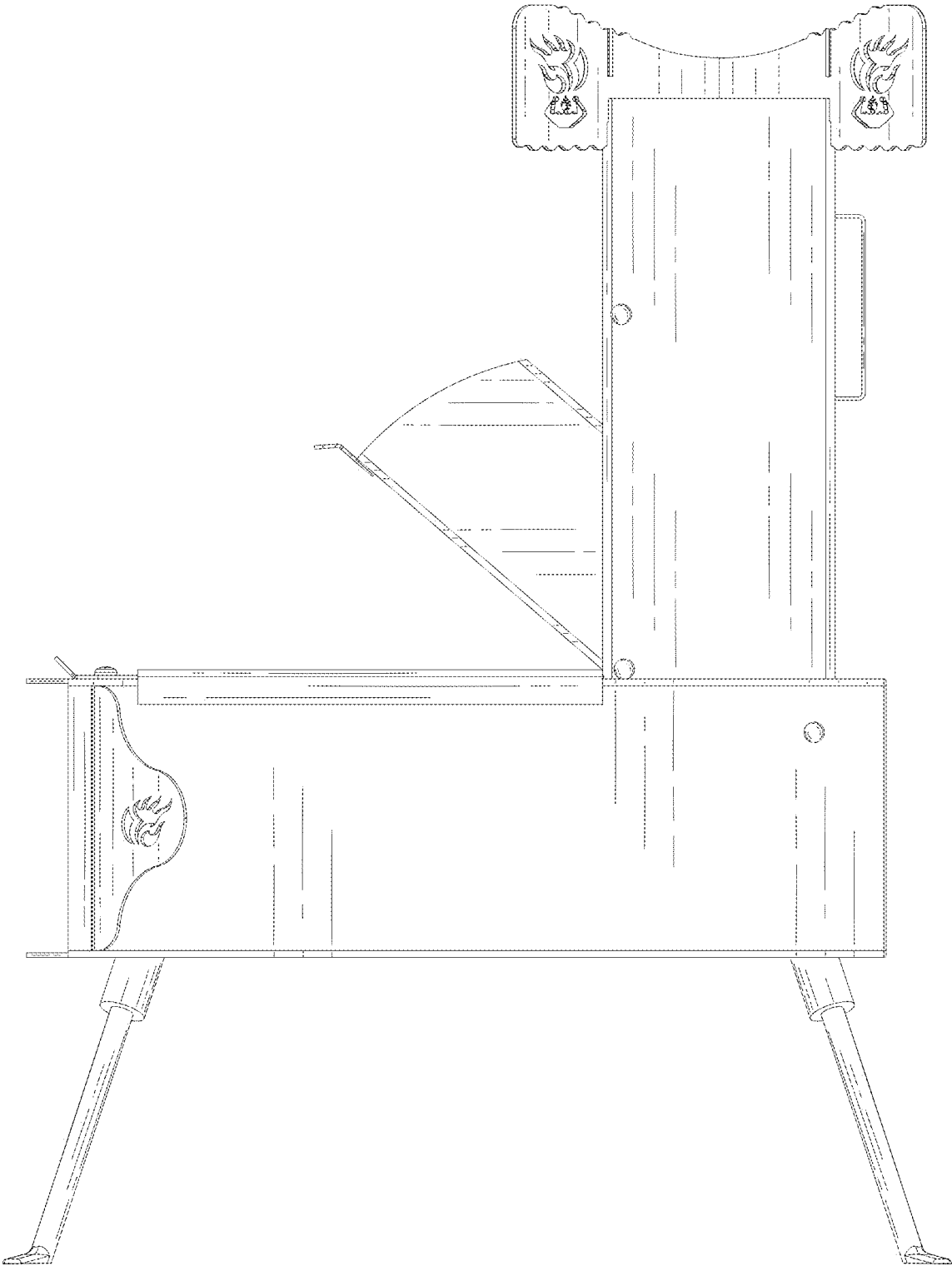


FIG. 6

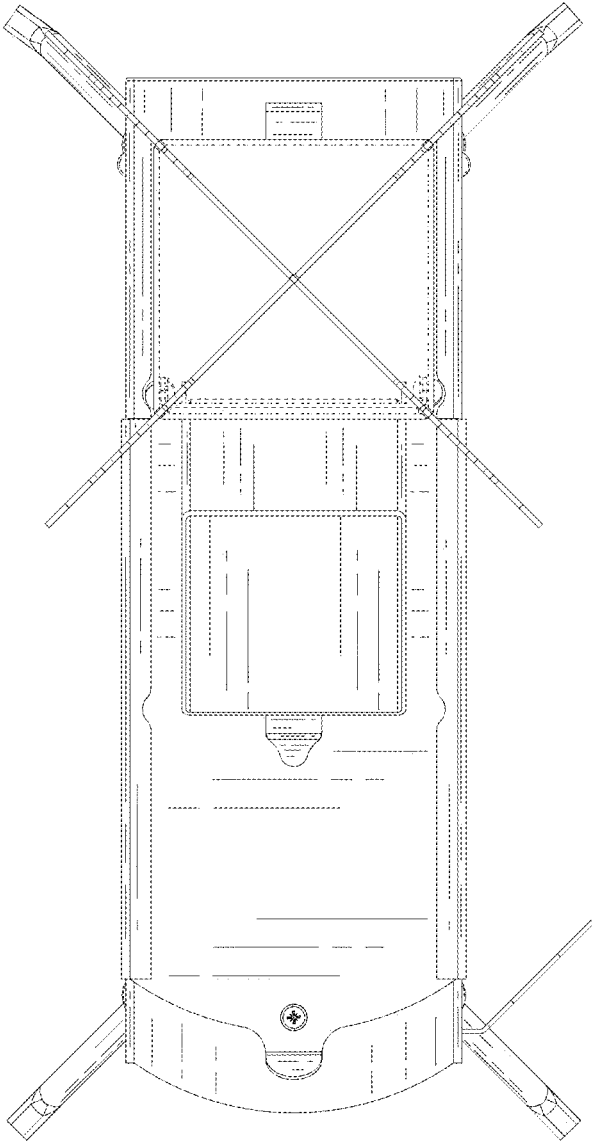


FIG. 7

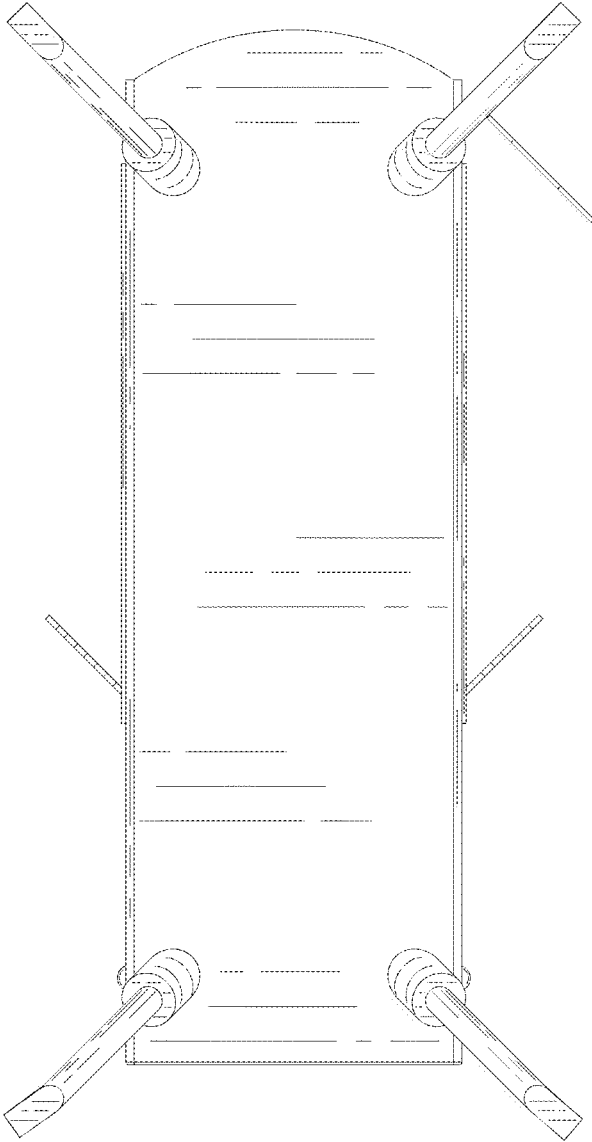


FIG. 8