



US00D745859S

(12) **United States Design Patent**  
**Kiuchi**

(10) **Patent No.:** **US D745,859 S**

(45) **Date of Patent:** **\*\* Dec. 22, 2015**

(54) **HEADPHONE**

(71) Applicant: **Panasonic Intellectual Property Management Co., Ltd., Osaka (JP)**

(72) Inventor: **Toshio Kiuchi, Osaka (JP)**

(73) Assignee: **Panasonic Intellectual Property Management Co., Ltd., Osaka (JP)**

(\*\*) Term: **14 Years**

(21) Appl. No.: **29/510,843**

(22) Filed: **Dec. 3, 2014**

(30) **Foreign Application Priority Data**

Jun. 16, 2014 (JP) ..... 2014-012885

(51) **LOC (10) Cl.** ..... **14-01**

(52) **U.S. Cl.**  
USPC ..... **D14/205**

(58) **Field of Classification Search**  
USPC ..... D14/205, 206, 218, 221; 181/129, 130,  
181/135; 379/430, 431; 381/380, 381  
CPC ..... H04R 25/00  
See application file for complete search history.

(56) **References Cited**

**U.S. PATENT DOCUMENTS**

D253,786	S	*	12/1979	Montague	.....	273/454
4,385,209	A	*	5/1983	Greason	.....	H04R 19/016
						307/400
4,648,302	A	*	3/1987	Bozzio	.....	G10H 3/146
						84/730
D304,944	S	*	12/1989	Behringer	.....	D14/188
D394,436	S	*	5/1998	Hall	.....	D14/206
5,812,680	A	*	9/1998	Glendon	.....	H04R 25/60
						381/322
D402,659	S	*	12/1998	Suzuki	.....	D14/192
D407,985	S	*	4/1999	Pimentel	.....	D10/104.2
D411,200	S	*	6/1999	Almqvist	.....	D14/192
5,922,993	A	*	7/1999	Ide	.....	H01R 43/0228
						174/84 R
6,546,108	B1	*	4/2003	Shennib	.....	H04R 25/602

						381/322
6,606,506	B1	*	8/2003	Jones	.....	H04B 1/207
						455/556.1
D516,073	S	*	2/2006	Boswell	.....	D14/399
D557,684	S	*	12/2007	Pundsack	.....	D14/205
D587,684	S	*	3/2009	Ham	.....	D14/205
D592,182	S	*	5/2009	Sanguinetti	.....	D14/205
D604,266	S	*	11/2009	Milde	.....	D14/205
D632,668	S	*	2/2011	Brunner	.....	D14/205
D637,176	S	*	5/2011	Brunner	.....	D14/205
D662,490	S	*	6/2012	McSweyn	.....	D14/205
D675,595	S	*	2/2013	Cho	.....	D14/205
D678,284	S	*	3/2013	Coulter	.....	D14/412
D690,284	S	*	9/2013	Brennwald	.....	D14/205
D691,984	S	*	10/2013	Wang	.....	D14/205
D719,961	S	*	12/2014	Xiang	.....	D14/447
D723,508	S	*	3/2015	Garland	.....	D14/205

**FOREIGN PATENT DOCUMENTS**

JP D1420881 8/2011

\* cited by examiner

*Primary Examiner* — Paula Greene

(74) *Attorney, Agent, or Firm* — Panasonic Patent Center

(57) **CLAIM**

I claim the ornamental design for a headphone, as shown and described.

**DESCRIPTION**

FIG.1 is a front perspective view of a headphone of the present invention;  
FIG. 2 is a rear perspective view thereof;  
FIG. 3 is a front view thereof;  
FIG. 4 is a rear view thereof;  
FIG. 5 is a first side view thereof;  
FIG. 6 is a second side view thereof;  
FIG. 7 is a top view thereof; and,  
FIG. 8 is a bottom view thereof.  
The broken line showing of headphone is included for the purpose of illustrating environment and forms no part of the claimed design.

**1 Claim, 8 Drawing Sheets**

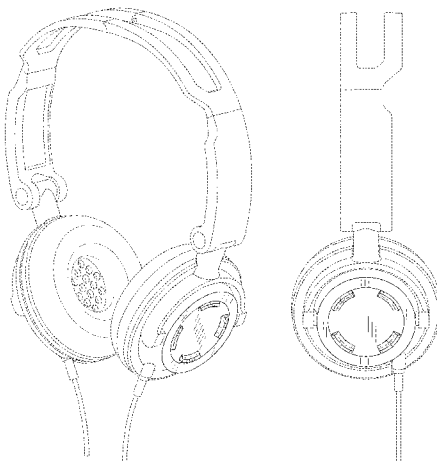


FIG. 1

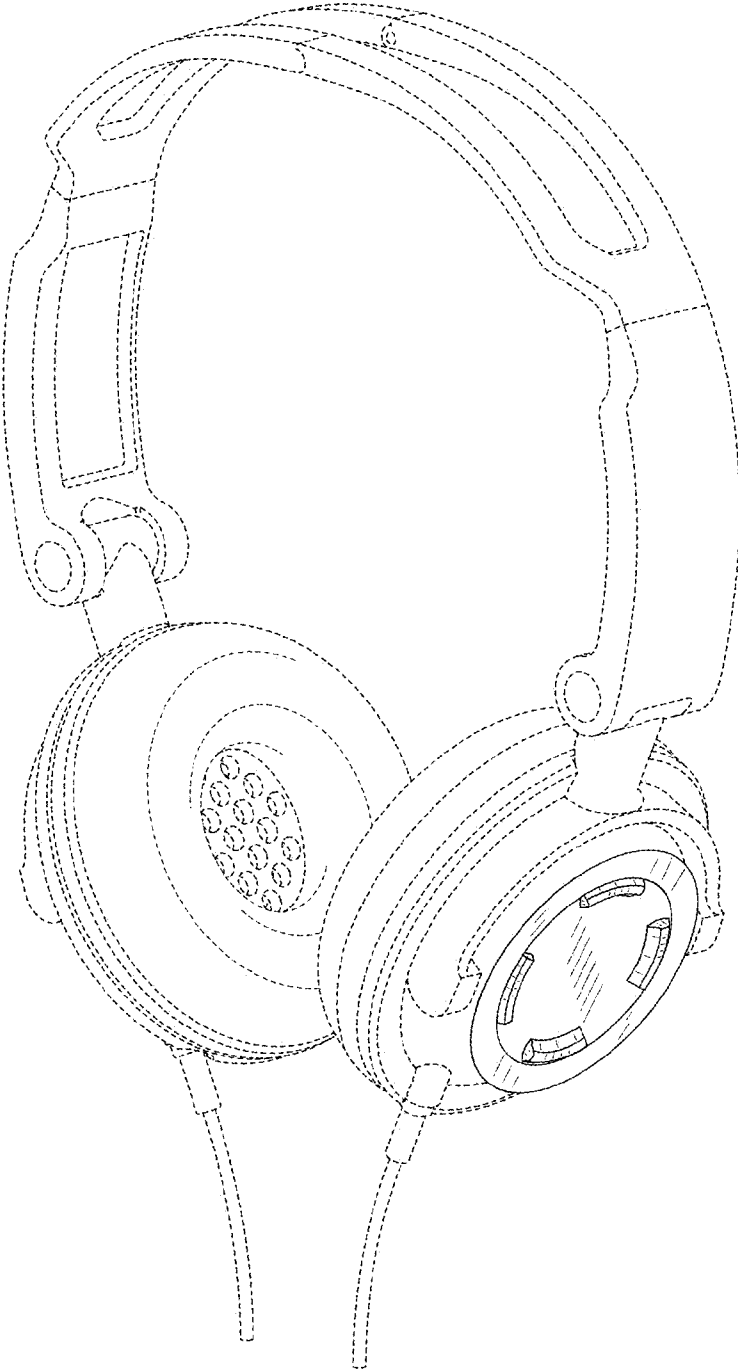


FIG. 2

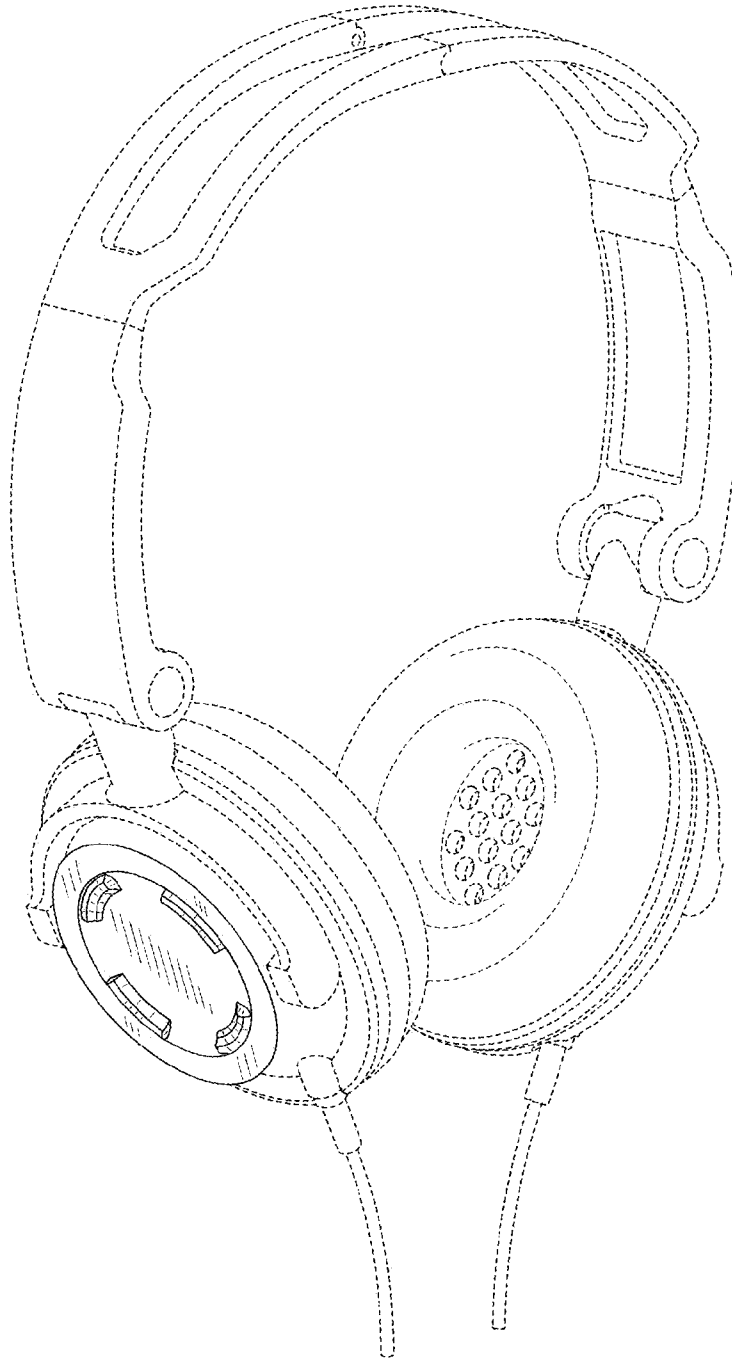


FIG. 3

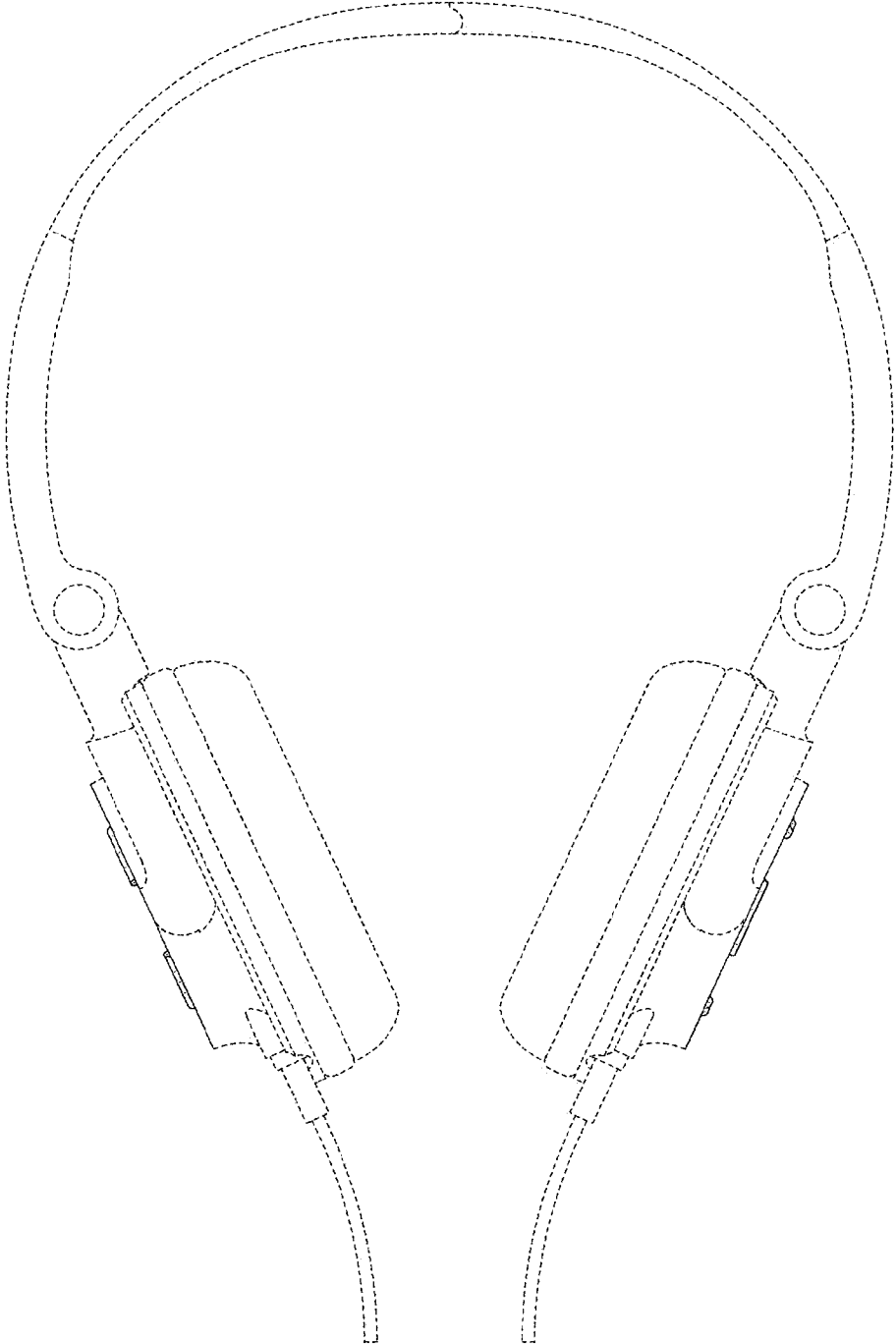


FIG. 4

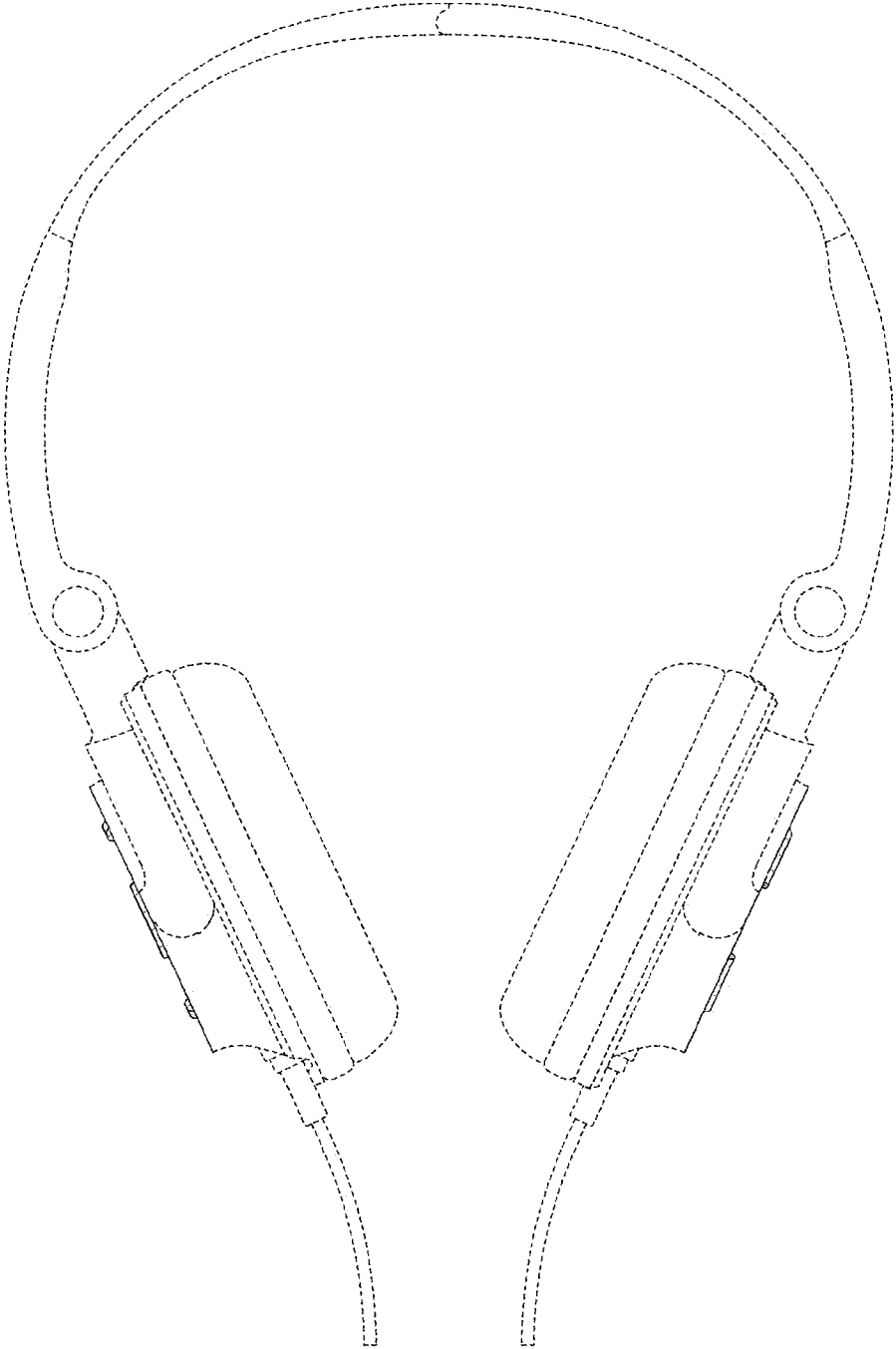


FIG. 5

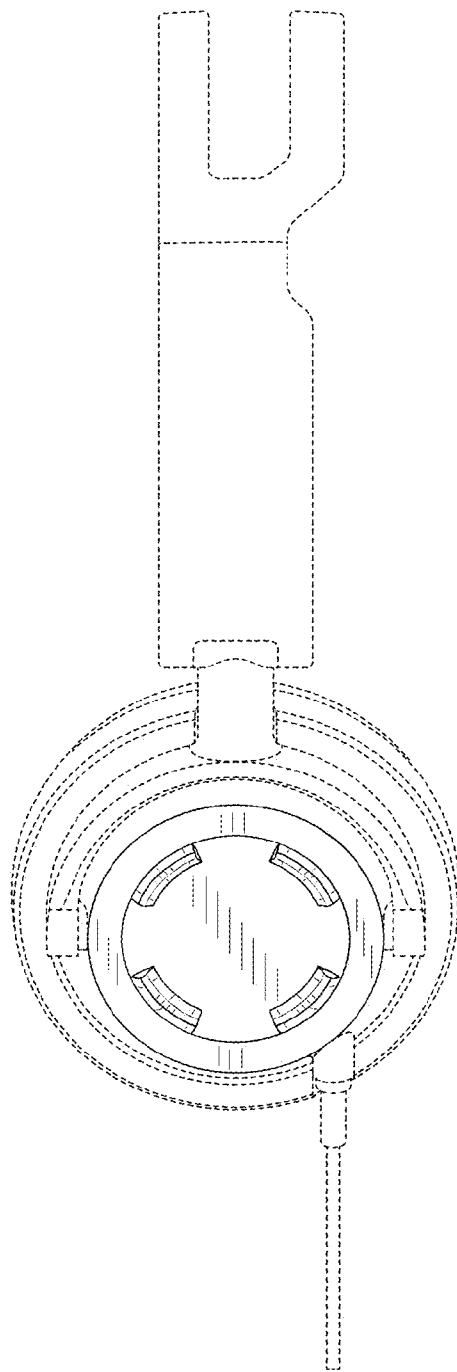


FIG. 6

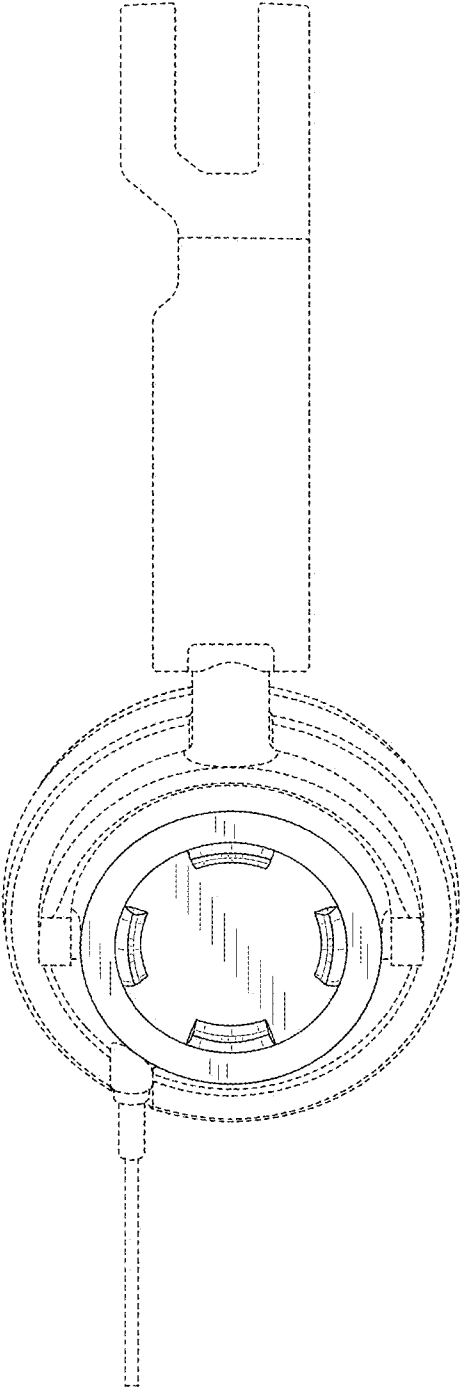


FIG. 7

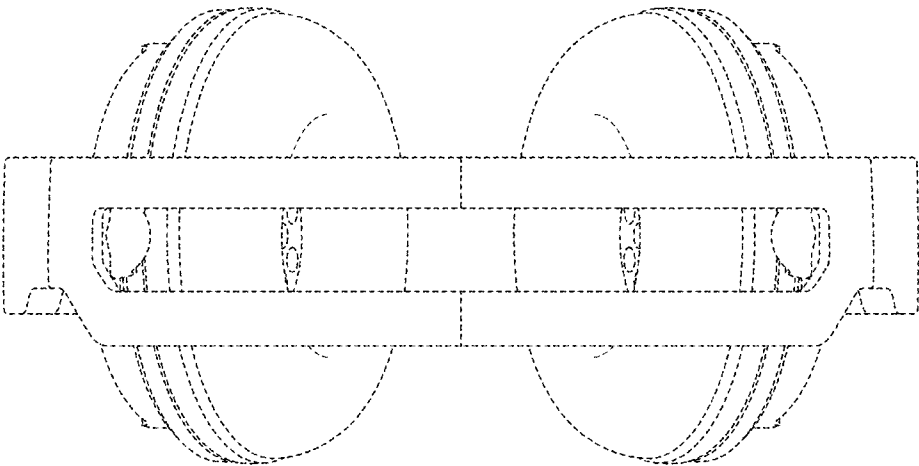




FIG. 8

