



US00D451583B1

(12) **United States Design Patent**  
**Lindholm et al.**

(10) **Patent No.:** **US D451,583 S**

(45) **Date of Patent:** **\*\* Dec. 4, 2001**

(54) **CLASSIC LARGE WALL-MOUNT SHOWER HEAD**

(75) Inventors: **Jon W. Lindholm**, Chicago; **Antonio J. Belton**, Hazel Crest, both of IL (US)

(73) Assignee: **Water Pik, Inc.**, Fort Collins, CO (US)

(\*\*) Term: **14 Years**

(21) Appl. No.: **29/134,021**

(22) Filed: **Dec. 12, 2000**

(51) **LOC (7) Cl.** ..... **23-01**

(52) **U.S. Cl.** ..... **D23/229**

(58) **Field of Search** ..... D23/213, 223,  
D23/226, 229, 230; 239/394, 461, 462

(56) **References Cited**

**U.S. PATENT DOCUMENTS**

|              |         |                   |         |
|--------------|---------|-------------------|---------|
| D. 126,433   | 4/1941  | Enthof .          |         |
| 204,333      | 5/1878  | Josias .          |         |
| D. 237,708   | 11/1975 | Grohe et al. .... | D23/35  |
| D. 245,858   | 9/1977  | Grube .....       | D23/35  |
| D. 245,860   | 9/1977  | Grube .....       | D23/35  |
| D. 251,045   | 2/1979  | Grube .           |         |
| D. 255,626   | 7/1980  | Grube .           |         |
| D. 258,677   | 3/1981  | Larsson .         |         |
| D. 261,300   | 10/1981 | Klose .....       | D23/35  |
| D. 261,417   | 10/1981 | Klose .....       | D23/213 |
| D. 266,212   | 9/1982  | Haug .            |         |
| D. 267,582   | 1/1983  | Mackay et al. .   |         |
| D. 268,611   | 4/1983  | Klose .           |         |
| D. 274,457   | 6/1984  | Haug .            |         |
| D. 295,437   | 4/1988  | Fabian .          |         |
| D. 296,582   | 7/1988  | Haug et al. .     |         |
| D. 313,267   | 12/1990 | Lenci et al. .... | D23/213 |
| D. 315,191   | 3/1991  | Mikol .....       | D23/213 |
| D. 317,348   | 6/1991  | Geneve et al. .   |         |
| D. 322,119   | 12/1991 | Haug et al. .     |         |
| D. 323,545 * | 1/1992  | Ward .....        | D23/213 |
| D. 325,769   | 4/1992  | Haug et al. ....  | D23/213 |
| D. 325,770   | 4/1992  | Haug et al. ....  | D23/213 |
| D. 326,311   | 5/1992  | Lenci et al. .... | D23/223 |
| D. 327,729   | 7/1992  | Rogers .....      | D23/223 |

|            |         |               |         |
|------------|---------|---------------|---------|
| D. 330,409 | 10/1992 | Raffo .       |         |
| D. 332,303 | 1/1993  | Klose .       |         |
| D. 332,994 | 2/1993  | Huen .....    | D23/223 |
| D. 333,339 | 2/1993  | Klose .       |         |
| D. 334,794 | 4/1993  | Klose .       |         |
| D. 339,492 | 9/1993  | Klose .       |         |
| D. 339,627 | 9/1993  | Klose .       |         |
| D. 339,848 | 9/1993  | Gottwald .    |         |
| D. 340,376 | 10/1993 | Klose .       |         |
| D. 341,007 | 11/1993 | Haug et al. . |         |
| D. 341,191 | 11/1993 | Klose .       |         |
| D. 347,265 | 5/1994  | Gottwald .    |         |

(List continued on next page.)

**FOREIGN PATENT DOCUMENTS**

|         |         |        |  |
|---------|---------|--------|--|
| 3440901 | 7/1985  | (DE) . |  |
| 726811  | 8/1996  | (EP) . |  |
| 873808  | 7/1942  | (FR) . |  |
| 1039750 | 10/1953 | (FR) . |  |
| 2066704 | 7/1981  | (GB) . |  |

**OTHER PUBLICATIONS**

Color Copy, Labeled 1A, Gemlo, available at least as early as the filing date.

Color Copy, Labeled 1B, Gemlo, available at least as early as the filing date.

*Primary Examiner*—Robin V. Taylor

(74) *Attorney, Agent, or Firm*—Dorsey & Whitney LLP

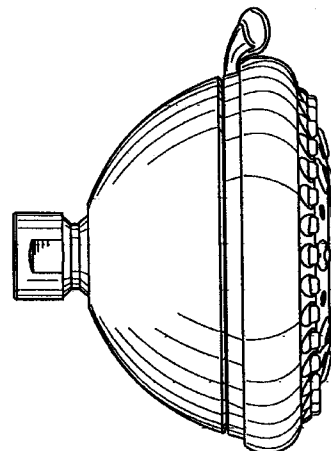
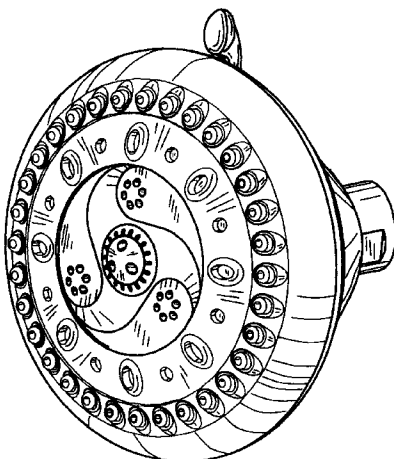
(57) **CLAIM**

The ornamental design for a classic large wall-mount shower head, as shown and described.

**DESCRIPTION**

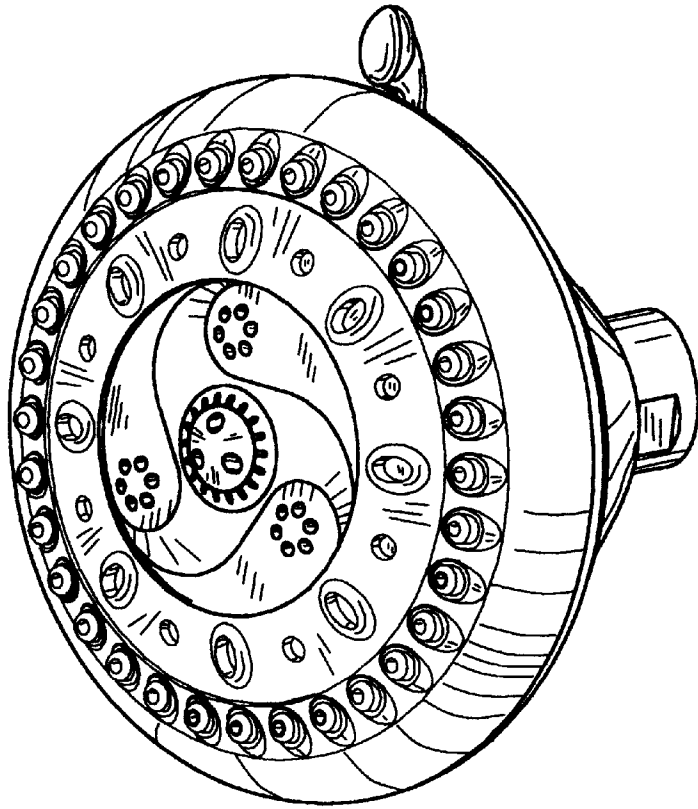
FIG. 1 is a right-side perspective view of a classic large wall-mount shower head showing our new design; FIG. 2 is a front elevation view thereof; FIG. 3 is a left side elevation view thereof, of which the right side elevation view is a mirror image; FIG. 4 is a top plan view thereof; FIG. 5 is a rear elevation view thereof; and, FIG. 6 is a bottom plan view thereof.

**1 Claim, 3 Drawing Sheets**

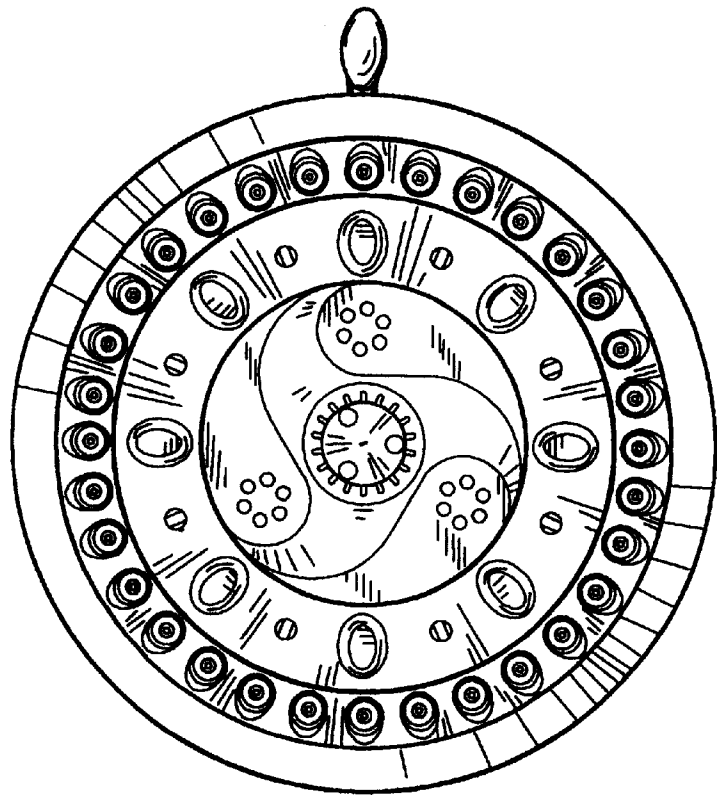


| U.S. PATENT DOCUMENTS |         |                       |            |   |
|-----------------------|---------|-----------------------|------------|---|
| D. 348,720            | 7/1994  | Haug et al. ....      | D23/223    | 4,151,957 5/1979 Gecewicz et al. .... 239/381     |
| D. 349,947            | 8/1994  | Hing-Wah .....        | D23/223    | 4,165,837 8/1979 Rundzaitis .....                 |
| D. 352,347            | 11/1994 | Dannenburg .....      | D23/223    | 4,174,822 11/1979 Larsson .                       |
| D. 355,703            | 2/1995  | Duell .               |            | 4,209,132 6/1980 Kwan .....                       |
| D. 361,623            | 8/1995  | Huen .                |            | 4,254,914 3/1981 Shames et al. .... 239/383       |
| D. 367,315            | 2/1996  | Andrus .              |            | 4,303,201 12/1981 Elkins et al. .... 239/391      |
| D. 367,696            | 3/1996  | Andrus .....          | D23/223    | 4,319,608 3/1982 Raikov et al. .... 251/126       |
| D. 369,204            | 4/1996  | Andrus .              |            | 4,614,303 9/1986 Moseley, Jr. et al. .... 239/499 |
| D. 369,205            | 4/1996  | Andrus .              |            | 4,657,185 4/1987 Rundzaitis .....                 |
| D. 370,052            | 5/1996  | Chan et al. ....      | D23/223    | 4,703,893 11/1987 Gruber .....                    |
| D. 374,271            | 10/1996 | Fleischmann .         |            | 4,719,654 1/1988 Blessing .                       |
| D. 375,541            | 11/1996 | Michaluk .....        | D23/213    | 4,754,928 7/1988 Rogers et al. .... 239/381       |
| D. 381,737            | 7/1997  | Chan .....            | D23/223    | 4,787,591 11/1988 Villacorta .                    |
| D. 382,936            | 8/1997  | Shfaram .             |            | 4,914,759 4/1990 Goff .                           |
| D. 385,332            | 10/1997 | Andrus .              |            | 4,953,585 9/1990 Rollini et al. .... 137/218      |
| D. 385,333            | 10/1997 | Caroen et al. .       |            | 4,964,573 10/1990 Lipski .                        |
| D. 385,616 *          | 10/1997 | Dow et al. ....       | D23/213    | 5,033,897 7/1991 Chen .....                       |
| D. 385,947            | 11/1997 | Dow et al. ....       | D23/223    | 5,141,016 8/1992 Nowicki .....                    |
| D. 387,230            | 12/1997 | von Beulow et al. .   |            | 5,172,866 12/1992 Ward .....                      |
| D. 389,558            | 1/1998  | Andrus .              |            | 5,232,162 8/1993 Chih .....                       |
| D. 395,074            | 6/1998  | Neibrock .....        | D23/229    | 5,246,169 9/1993 Heimann et al. .... 239/447      |
| D. 408,893 *          | 4/1999  | Tse .....             | D23/229    | 5,265,833 11/1993 Heimann et al. .                |
| D. 434,109 *          | 11/2000 | Ko .....              | D23/229    | 5,277,391 1/1994 Haug et al. .                    |
| D. 435,889 *          | 1/2001  | Ben-Tsur et al. ....  | D23/229    | 5,294,054 3/1994 Benedict et al. .... 239/446     |
| D. 443,025 *          | 5/2001  | Kollmann et al. ....  | D23/229    | 5,297,735 3/1994 Heimann et al. .                 |
| D. 443,029 *          | 5/2001  | Kollmann et al. ....  | D23/229    | 5,340,064 8/1994 Heimann et al. .                 |
| 566,384               | 8/1896  | Engelhart .           |            | 5,344,080 9/1994 Matsui .....                     |
| 1,203,466             | 10/1916 | Benson .              |            | 5,397,064 3/1995 Heitzman .....                   |
| 1,459,582             | 6/1923  | Dubee .               |            | 5,398,872 3/1995 Joubran .....                    |
| 2,216,149             | 10/1940 | Weiss .               |            | 5,433,384 7/1995 Chan et al. .                    |
| 2,567,642             | 9/1951  | Penshaw .....         | 299/141    | 5,476,225 12/1995 Chan .                          |
| 3,098,508             | 7/1963  | Gerdes .....          | 137/625.32 | 5,481,765 1/1996 Wang .                           |
| 3,404,410             | 10/1968 | Sumida .              |            | 5,499,767 3/1996 Morand .....                     |
| 3,550,863             | 12/1970 | McDermott .....       | 239/562    | 5,507,436 4/1996 Ruttenberg .....                 |
| 3,826,454             | 7/1974  | Zieger .              |            | 5,551,637 9/1996 Lo .....                         |
| 3,865,310             | 2/1975  | Elkins et al. .       |            | 5,558,278 9/1996 Gallorini .....                  |
| 3,967,783             | 7/1976  | Halsted et al. ....   | 239/447    | 5,577,664 11/1996 Heitzman .....                  |
| 3,979,096             | 9/1976  | Zieger .              |            | 5,613,639 3/1997 Storm et al. .... 239/581.1      |
| 3,998,390             | 12/1976 | Peterson et al. ....  | 239/443    | 5,632,049 5/1997 Chen .                           |
| 4,081,135             | 3/1978  | Tomaro .....          | 239/102    | 5,653,260 8/1997 Huber .                          |
| 4,084,271             | 4/1978  | Ginsberg .....        | 4/161      | 5,704,080 1/1998 Kuhne .                          |
| 4,091,998             | 5/1978  | Peterson .            |            | 5,718,380 2/1998 Schorn et al. .... 239/117       |
| 4,117,979             | 10/1978 | Lagarelli et al. .... | 239/449    | 5,749,552 5/1998 Fan .                            |
| 4,151,955             | 5/1979  | Stouffer .....        | 239/11     | 5,918,811 7/1999 Denham et al. .... 239/444       |

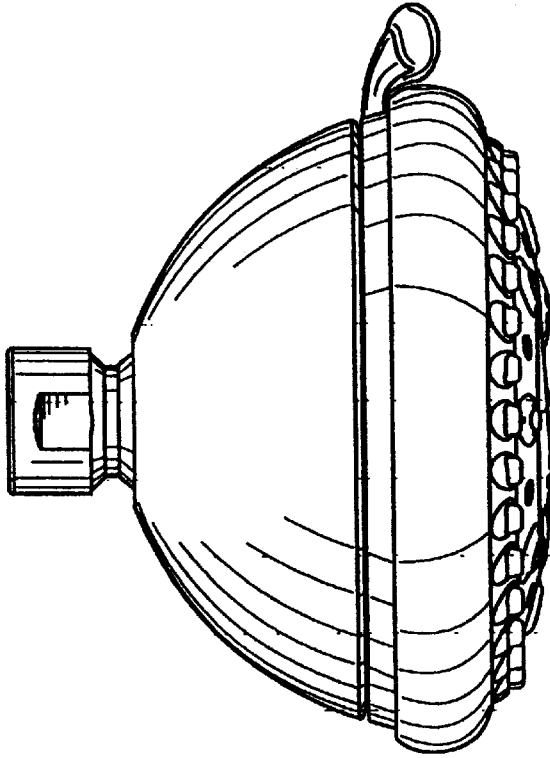
\* cited by examiner



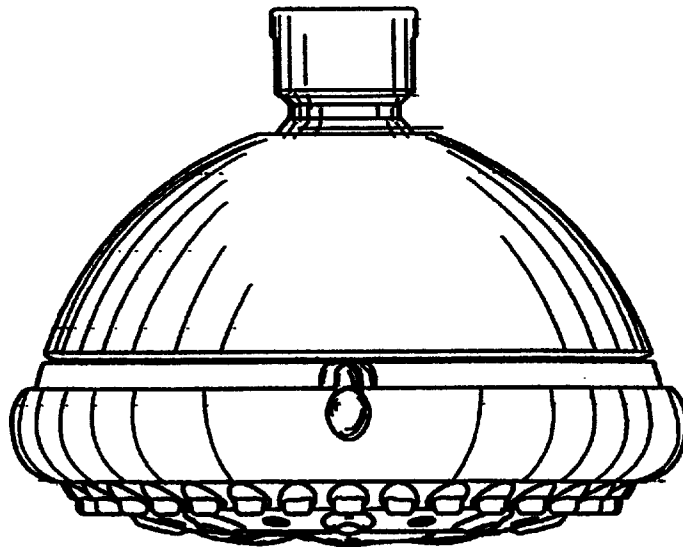
**Fig. 1**



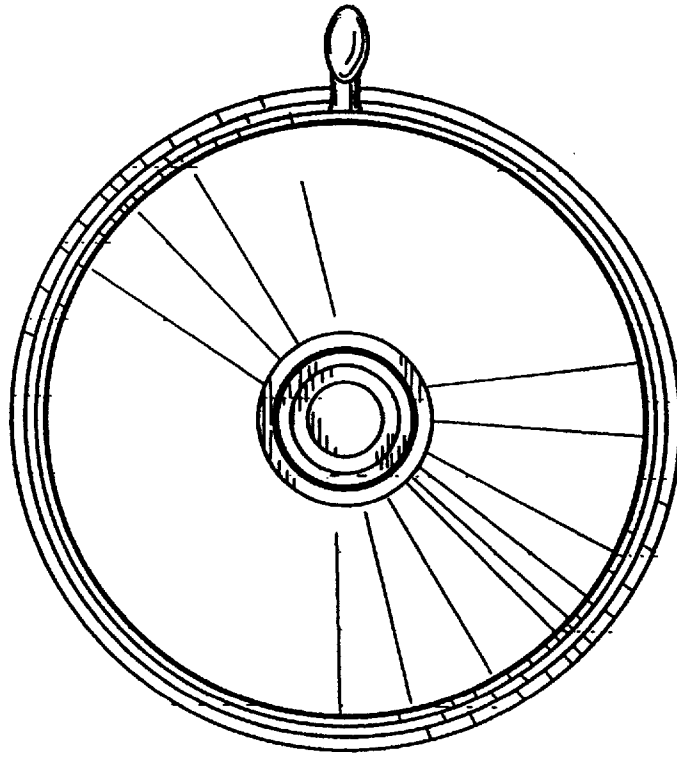
**Fig. 2**



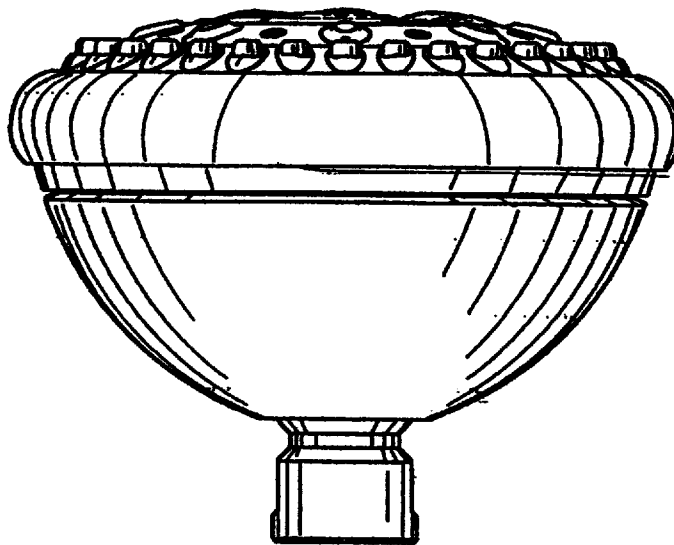
**Fig. 3**



**Fig. 4**



**Fig. 5**



**Fig. 6**