



US00D764490S

(12) **United States Design Patent**
O'Shea et al.

(10) **Patent No.:** **US D764,490 S**

(45) **Date of Patent:** **** Aug. 23, 2016**

(54) **DISPLAY HAVING A GRAPHICAL USER INTERFACE**

(71) Applicant: **Hewlett-Packard Development Company, L.P.**, Houston, TX (US)

(72) Inventors: **Terrance O'Shea**, Houston, TX (US);
Sridhar V. Solur, Houston, TX (US)

(73) Assignee: **Hewlett-Packard Development Company, L.P.**, Houston, TX (US)

(**) Term: **14 Years**

(21) Appl. No.: **29/504,412**

(22) Filed: **Oct. 6, 2014**

(51) **LOC (10) Cl.** **14-04**

(52) **U.S. Cl.**

USPC **D14/485**

(58) **Field of Classification Search**

USPC D14/485-495

CPC H04N 1/00424; G06T 13/80; G06T 15/02;

G06F 3/04817; G06F 3/0481; G06F 17/50;

G06F 17/246; G06F 17/24; G06F 17/243;

G06F 17/30115; G06F 3/0484; G11B 19/025;

G05B 19/418; H04M 1/72519

See application file for complete search history.

(56) **References Cited**

U.S. PATENT DOCUMENTS

3,015,094	A *	12/1961	Reynolds, Jr.	G04G 9/10
				340/332
3,384,393	A *	5/1968	Horton	H02G 3/0616
				174/665
3,609,750	A *	9/1971	Budd	H01J 17/491
				313/619
3,680,349	A *	8/1972	Horton	B21C 37/292
				29/890.11
3,723,739	A *	3/1973	Horton	G02B 23/12
				250/331
3,958,409	A *	5/1976	Manber	G04G 9/04
				368/240
4,041,692	A *	8/1977	Marshino	G04G 9/042
				368/240

D250,177	S *	11/1978	Hulen	D10/62
4,274,154	A *	6/1981	Dostoomian	G04C 17/00
				368/239
4,449,832	A *	5/1984	Kammerer	G04G 15/00
				341/15
D302,124	S *	7/1989	Bevins	D10/2
D356,046	S *	3/1995	Harper	D10/62
D396,458	S *	7/1998	Bohnert	D14/492
5,896,133	A *	4/1999	Lynch	G06F 3/0481
				715/784
D411,805	S *	7/1999	McDowell	D10/2
D415,038	S *	10/1999	Lin	D10/22
5,982,710	A *	11/1999	Rawat	G04G 9/0076
				368/21
D435,465	S *	12/2000	Yusa	D10/68

(Continued)

OTHER PUBLICATIONS

Michael Bastian MB Chronowing Smartwatch Review, announced Nov. 21, 2014 [online], [site visited Dec. 15, 2015]. Available from Internet, URL: <<https://www.youtube.com/watch?v=aBxHoLJwzI>>.*

(Continued)

Primary Examiner — Barbara Fox

Assistant Examiner — Dana K Weiland

(74) *Attorney, Agent, or Firm* — Foley & Lardner

(57) **CLAIM**

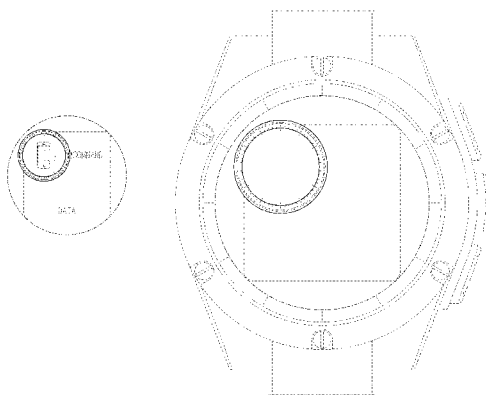
We claim the ornamental design for a display having a graphical user interface, as shown and described.

DESCRIPTION

FIG. 1 is a front view of a display having a graphical user interface showing our new design in a first embodiment; FIG. 2 is the front view thereof in a second embodiment; FIG. 3 is the front view thereof in a third embodiment; and, FIG. 4 is the front view thereof in a fourth embodiment shown on a device.

The evenly spaced broken lines represent portions of the display having a graphical user interface. The dot-dash broken lines represent bounds of the claimed design. The broken lines showing a device in FIG. 4 represent environmental subject matter. The broken lines form no part of the claimed design.

1 Claim, 2 Drawing Sheets



(56)

References Cited

U.S. PATENT DOCUMENTS

D452,693 S * 1/2002 Mitchell D14/492
 6,366,540 B1 * 4/2002 Kaminsky G04B 19/04
 368/223
 6,678,891 B1 * 1/2004 Wilcox G06Q 30/0601
 348/E5.105
 7,119,764 B2 * 10/2006 Tanaka B60K 35/00
 345/33
 D532,017 S * 11/2006 Gusmorino D14/492
 D544,494 S * 6/2007 Cummins D14/486
 D587,277 S * 2/2009 Park D14/485
 D607,007 S * 12/2009 Kocmick D14/489
 D615,989 S * 5/2010 Chaudhri D14/488
 D621,415 S * 8/2010 Umezawa D14/492
 D624,556 S * 9/2010 Chaudhri D14/486
 D625,733 S * 10/2010 Anzures D14/486
 D626,143 S * 10/2010 Karten D14/491
 D645,470 S * 9/2011 Matas D14/489
 D660,863 S * 5/2012 Djuned D14/486
 D661,604 S * 6/2012 Chang D10/68
 8,351,989 B2 * 1/2013 Ahn G06F 3/04847
 455/418
 D682,306 S * 5/2013 DiJulio D14/488
 D686,933 S * 7/2013 Garzon D10/126
 D687,046 S * 7/2013 Plitkins D14/485
 D687,057 S * 7/2013 Plitkins D14/488
 D687,062 S * 7/2013 Gardner D14/489
 D687,327 S * 8/2013 Iden D10/68
 D688,270 S * 8/2013 Jang D14/492
 D690,310 S * 9/2013 Brinda D14/485
 D695,300 S * 12/2013 Lee D14/486
 D699,248 S * 2/2014 Pearson D14/485
 8,661,369 B2 * 2/2014 Heo G06F 3/0481
 340/10.1
 D700,912 S * 3/2014 Kim D14/485
 D701,226 S * 3/2014 Jung D14/486
 8,668,379 B2 * 3/2014 Nguyen A47F 7/022
 248/116
 D702,704 S * 4/2014 Santos D14/487
 D702,720 S * 4/2014 Abratowski D14/489
 D703,228 S * 4/2014 Abratowski D14/489
 8,717,285 B1 * 5/2014 White G06F 1/00
 345/156
 D707,708 S * 6/2014 Harre D14/492
 D711,908 S * 8/2014 Lacour D14/487
 D715,836 S * 10/2014 Huang D14/492
 D719,186 S * 12/2014 Kim D14/488
 8,933,890 B2 * 1/2015 Lampell 345/156
 D724,958 S * 3/2015 Daniels D10/15
 D729,839 S * 5/2015 Bray D14/492
 D731,529 S * 6/2015 Cavander D14/488

D731,545 S * 6/2015 Lim D14/492
 D732,552 S * 6/2015 Bae D14/485
 D736,219 S * 8/2015 Petersen D14/485
 D741,894 S * 10/2015 Drozd D14/486
 9,152,320 B2 * 10/2015 Roddy F24F 11/0086
 D742,898 S * 11/2015 Matas D14/485
 D745,054 S * 12/2015 Bray D14/492
 D752,623 S * 3/2016 Dye D14/486
 2006/0010394 A1 * 1/2006 Chaudhri B60K 35/00
 715/779
 2006/0015818 A1 * 1/2006 Chaudhri G06F 3/0481
 715/779
 2006/0022955 A1 * 2/2006 Kennedy G06F 3/0414
 345/173
 2006/0092769 A1 * 5/2006 Demas G04B 19/22
 368/82
 2007/0274161 A1 * 11/2007 Rydgren G04C 17/0091
 368/80
 2008/0113001 A1 * 5/2008 Herweck A61L 31/14
 424/426
 2008/0169657 A1 * 7/2008 Horton E05B 83/30
 292/220
 2009/0199130 A1 * 8/2009 Tsern G04G 21/08
 715/810
 2011/0257795 A1 * 10/2011 Narayanamurthy .. F24F 5/0046
 700/277
 2012/0008465 A1 * 1/2012 Lin G04C 17/0091
 368/29
 2013/0051195 A1 * 2/2013 Bonhoff G04B 19/02
 368/225
 2013/0121119 A1 * 5/2013 Umamoto G04G 9/0064
 368/238
 2014/0359518 A1 * 12/2014 Wu G06F 3/04842
 715/779
 2015/0055439 A1 * 2/2015 Lewis G04G 17/086
 368/88
 2015/0346939 A1 * 12/2015 Kwak G06F 3/013
 715/771

OTHER PUBLICATIONS

Engineered by HP, announced 2015 [online], [site visited Dec. 15, 2015]. Available from Internet, URL: <<http://engineeredby.hp.com/boutique/us/en/index.html>>.*
 MacRumors.com, announced Sep. 17, 2014 [online], [site visited Apr. 12, 2016]. Available from Internet, URL: <<http://www.macrumors.com/roundup/ios-8-features/>>.*
 Dailytech.com, announced Sep. 9, 2014 [online], [site visited Apr. 12, 2016]. Available from Internet, URL: <<http://www.dailytech.com/Apple+Announces+Its+Smartwatch+The+349+Apple+Watch/article36529.htm>>.*

* cited by examiner

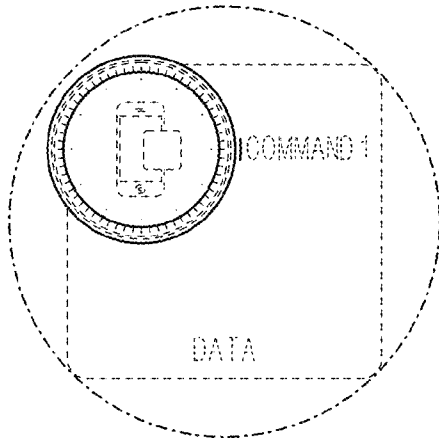


FIG. 1

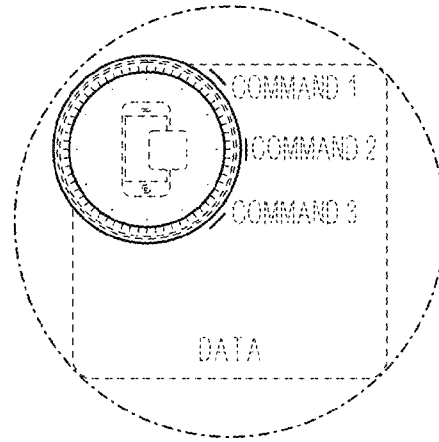


FIG. 2

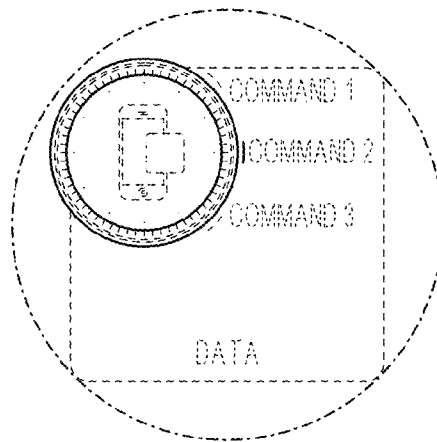


FIG. 3

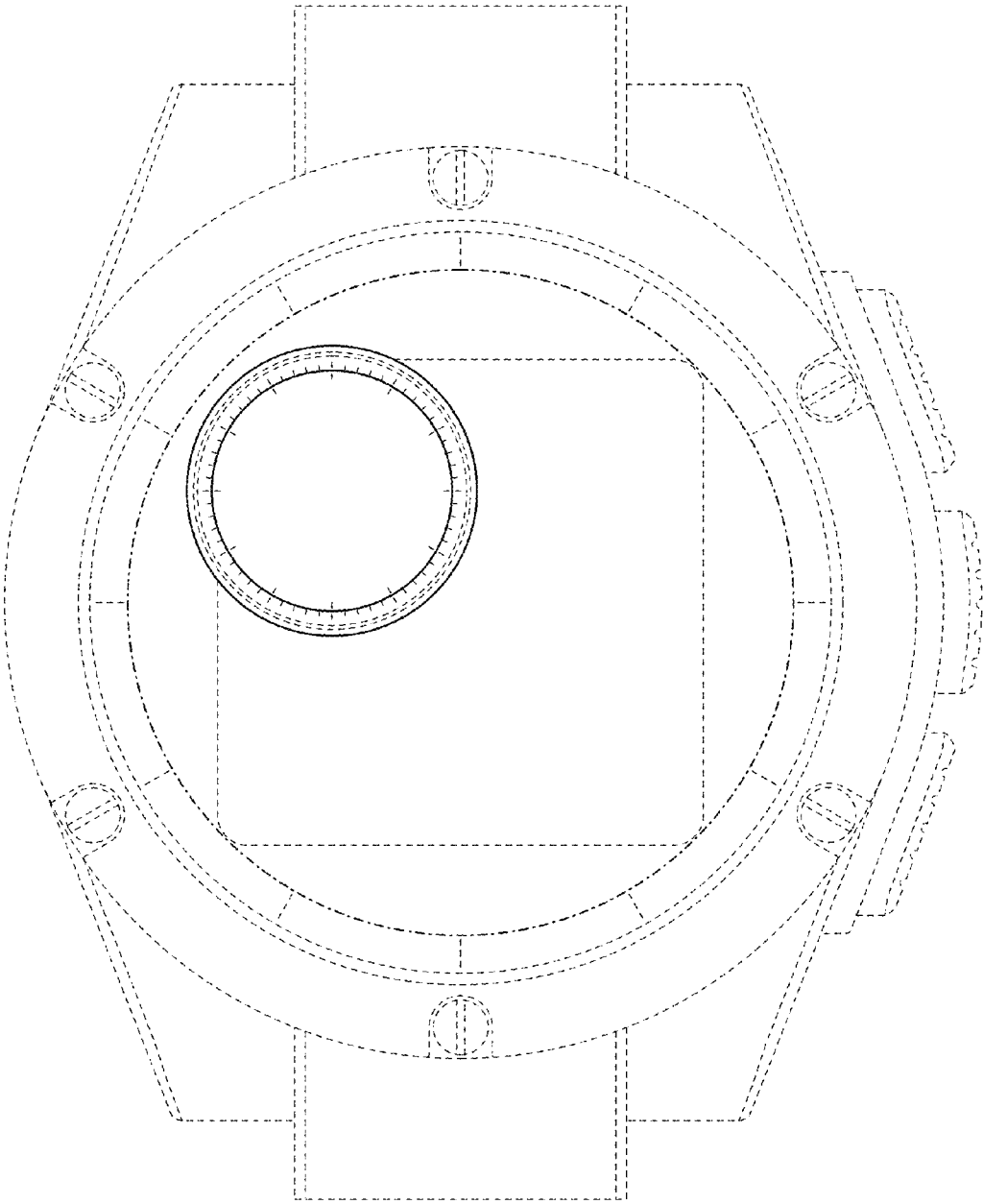


FIG. 4