



- (51) International Patent Classification:
E04B 7/16 (2006.01)
- (21) International Application Number:
PCT/US2015/059844
- (22) International Filing Date:
10 November 2015 (10.11.2015)
- (25) Filing Language: English
- (26) Publication Language: English
- (30) Priority Data:
14/578,426 20 December 2014 (20.12.2014) US
- (72) Inventor; and
- (71) Applicant : **IVIC, Michael** [US/US]; 297 Sugar Pine Drive, Gretna, LA 70056 (US).
- (74) Agents: **KEATY, Thomas, S.** et al.; KEATY LAW FIRM, LLC, 365 Canal St., Suite 2410, New Orleans, LA 70130 (US).
- (81) Designated States (*unless otherwise indicated, for every kind of national protection available*): AE, AG, AL, AM,

AO, AT, AU, AZ, BA, BB, BG, BH, BN, BR, BW, BY, BZ, CA, CH, CL, CN, CO, CR, CU, CZ, DE, DK, DM, DO, DZ, EC, EE, EG, ES, FI, GB, GD, GE, GH, GM, GT, HN, HR, HU, ID, IL, IN, IR, IS, JP, KE, KG, KN, KP, KR, KZ, LA, LC, LK, LR, LS, LU, LY, MA, MD, ME, MG, MK, MN, MW, MX, MY, MZ, NA, NG, NI, NO, NZ, OM, PA, PE, PG, PH, PL, PT, QA, RO, RS, RU, RW, SA, SC, SD, SE, SG, SK, SL, SM, ST, SV, SY, TH, TJ, TM, TN, TR, TT, TZ, UA, UG, US, UZ, VC, VN, ZA, ZM, ZW.

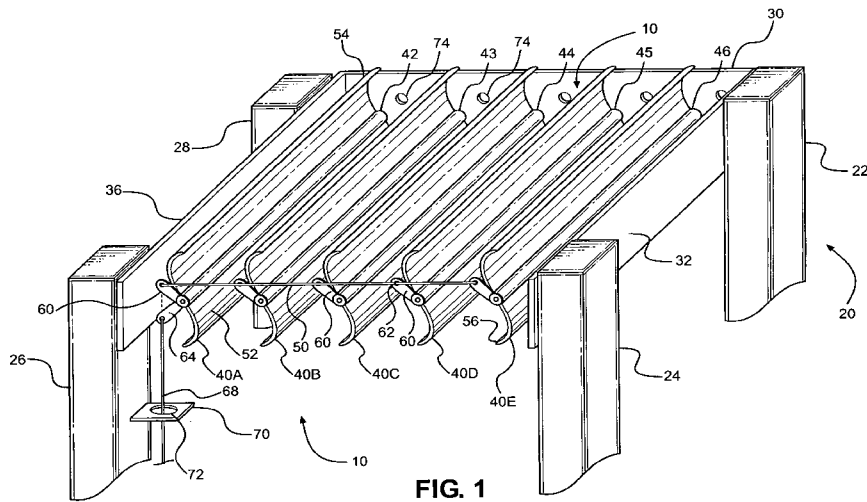
(84) Designated States (*unless otherwise indicated, for every kind of regional protection available*): ARIPO (BW, GH, GM, KE, LR, LS, MW, MZ, NA, RW, SD, SL, ST, SZ, TZ, UG, ZM, ZW), Eurasian (AM, AZ, BY, KG, KZ, RU, TJ, TM), European (AL, AT, BE, BG, CH, CY, CZ, DE, DK, EE, ES, FI, FR, GB, GR, HR, HU, IE, IS, IT, LT, LU, LV, MC, MK, MT, NL, NO, PL, PT, RO, RS, SE, SI, SK, SM, TR), OAPI (BF, BJ, CF, CG, CI, CM, GA, GN, GQ, GW, KM, ML, MR, NE, SN, TD, TG).

Published: — with international search report (Art. 21(3))



WO 2016/099712 A1

(54) Title: PERGOLA COVER



(57) Abstract: A louver cover for a pergola, arbor and the like has pivotal elongated slat assemblies that move between an open up-right position and a closed position covering the pergola. The cover is secured between upright supports and cross beams of the pergola. Each slat assembly has a pivotal shaft mounted for pivotal movement between parallel cross beams. The pivotal shaft carries at least one slat member, which is movable between an upright position when the cover is open and a closed position when the slat assemblies extend in covering relationship over the pergola. In one embodiment, each slat assembly has a slat member with S-shaped profile, and in another embodiment the slat assembly has two mirror image slat members of J-shaped profile.

PERGOLA COVER

BACKGROUND OF THE INVENTION

[0001] This invention relates to covering systems for external structures, and more particularly to a roof cover for pergolas or similar structures.

[0002] Many houses have open patios and decks that are used for a variety of outdoor leisure activities, such as entertaining, barbecues and so forth. Free-standing structures, such as pergolas are also a popular feature. Pergolas are conventionally constructed using vertical posts or pillars that usually support cross-beams and a sturdy open lattice cover. Some pergolas have climbing vines that are trained to climb the pergola cover, while other pergolas remain uncovered, that is spaces between the cross beams and latticework remain open.

[0003] While the outdoor activities can be conducted in uncovered patios and partially covered pergolas, it is very desirable to have a cover over the open patios, decks, and pergolas that can be closed to protect the users against the sun, rain, and other weather-related conditions.

Provision of shade as protection against the sun is particularly important in view of the known links between excessive exposure to sunlight and various skin cancers, especially in those regions of the world affected by depletion of the ozone layer.

[0004] Accordingly, it is desirable to provide open structures, such as verandas, pergolas, and other suitable structures, having roofs that may be easily opened or closed, depending upon the prevailing environmental conditions. Previously known arrangements for providing closable coverings include retractable awnings. However, retractable awnings may not be suitable for use with free-standing structures, such as pergolas, arbors, and the like.

[0005] It is therefore highly desirable to provide a system employing rotatable louvers or slats that can be manually or mechanically operated particularly for use with outdoor structures, such as pergolas.

SUMMARY OF THE INVENTION

[0006] It is, therefore, an object of the present invention to provide a rotatable cover for a free-standing outdoor structure such as pergolas, arbor and the like.

[0007] It is another object of the invention is to provide a pergola cover that cost-effective and easy to operate.

[0008] These and other objects of the invention are achieved through a provision of a louver cover for a pergola, arbor and the like has pivotal elongated slat assemblies that move between an open upright position and a closed position covering the pergola. The cover is secured between upright supports and cross beams of the pergola. Each slat assembly has a pivotal shaft

mounted for pivotal movement between parallel cross beams. The pivotal shaft carries at least one slat member, which is movable between an upright position when the cover is open and a closed position when the slat assemblies extend in covering relationship over the pergola. In one embodiment, each slat assembly has a slat member with S-shaped profile, and in another embodiment the slat assembly has two mirror image slat members of J-shaped profile.

BRIEF DESCRIPTION OF THE DRAWINGS

[0009] Reference will now be made to the drawings, wherein like parts are designated by like numerals, and wherein

[0010] Figure 1 is a perspective view of the pergola cover system according to the first embodiment of the present invention in an open position.

[0011] Figure 2 is a perspective view of the pergola cover system according to the first embodiment of the present invention in a closed position.

[0012] Figure 3 is a perspective view of the pergola cover system according to the second embodiment of the present invention in an open position.

[0013] Figure 4 is a perspective view of the pergola cover system according to the second embodiment of the present invention in a closed position.

DETAIL DESCRIPTION OF THE INVENTION

[0014] Turning now to the drawings in more detail, numeral 10 designates the cover system according to the first embodiment of this invention. The system 10 is configured to fit in a covering relationship over a structure 20. The structure 20 comprises a plurality of upright vertical posts or vertical supports 22, 24, 26, and 28 spaced apart to form a rectangular or square frame supports. Cross beams extend between upper ends of the vertical posts 22, 24, 26, and 28. While only three cross beams 30, 32, and 36 are shown in Figure 1, it will be understood that a fourth cross beam is positioned between the upright posts 24 and 26 in a parallel relationship to the cross beam 30. For clarity, the fourth cross beam was omitted from the drawings. The covering system 10 is configured to fit between the cross beams of the structure 20.

The covering system 10 comprises a plurality of parallel slat assemblies 40 (40A, 40B, 40C, 40D, 40E, etc.) mounted on pivotal shafts 42, 43, 44, 45, and 46, which are rotationally supported in the cross beam 30 and the fourth cross beam removed from the view of Figure 1. The slat assemblies 40A, 40B, 40C, 40D, and 40E are connected to a movable rod 50 for synchronized pivoting.

[0015] Each slat assembly 40 comprises an elongated slat member or louver 52 having a generally S-shaped profile with an upwardly curved longitudinal "upper" edge 54 and a

downwardly curved longitudinal "lower" edge 56. In their closed position, the longitudinal edges of the slat members 52 are overlapping, as shown in Figure 2, so that the "lower" edge of each slat member is received in the upturned "upper" edge of the adjacent slat member.

A rod supporting member 60 is fixedly attached to each shaft 42, 43, 44, 45, and 46. An opening 62 is formed in a free end of the rod supporting member 60, and the rod 50 extends therethrough. Each slat assembly 40 comprises an elongated slat member or louver 52 having a generally S-shaped profile with an upwardly curved "upper" edge 54 and a downwardly curved "lower" edge 56. In their closed position, the slat members 52 are overlapping, as shown in Figure 2, so that the "lower" edge of each slat member is received in the upturned "upper" edge of the adjacent slat member.

[0016] A rod supporting member 60 is fixedly attached to each shaft 42, 43, 44, 45, and 46. An opening 62 is formed in a free end of the rod supporting member 60, and the rod 50 extends therethrough. A lever tongue 64 is secured to the shaft 42 extending at an angle to the rod supporting member 60. A lever rod 68 is affixed to the lever tongue 64, extending downwardly therefrom. The lever rod 68 is configured to impart pivotal action on the lever tongue 64 when the lever rod 68 moves up or down.

[0017] When the lever rod 68 is in its "down" position, the slat member 52 extends substantially vertically in an upright orientation allowing sun to enter the pergola structure 20. When the lever rod 68 is pushed upwardly, the lever tongue forces the shaft 42 to pivot and impart motion on the rod supporting member 60. In turn, the rod supporting member 60 pushes the pivot rod 50, thereby rotating the slat member 52 in a synchronized manner.

[0018] The lever rod 68 can be a manually operated lever or a motorized lever when operationally connected to a power source 70. The power source 70 can be a hydraulic or electrical motor, or a supply of pressurized air. The power source 70 is engaged with the lever rod 68 through a link 72, which transmits the motive force from the power source 70 to the lever rod 68. It will be understood that suitable electrical wiring, if used, can be connected to a standard municipal power source.

[0019] The pergola structure 20 is slightly inclined to allow runoff of rain water. The ends of the slat assemblies closer to the cross beam 30 are positioned on a level lower than the "front" ends of the slat assemblies opposite the cross beam 30. As a result, the rain water is allowed to flow downwardly without accumulation and leaking between the slat members 52. A plurality of drain openings 74 is formed in the cross beam 30 in a spaced-apart relationship to each other. The drain openings 74 allow water to drain from the slat assemblies 40 directing rain water and

snow runoff away from the structure 20. The drain openings 74 are located above the slat member 52 such that the water flowing through the troughs formed by the slat members 52 is diverted away from the pergola structure 20.

[0020] Figure 2 illustrates a closed position of the covering system 10. In this position, the slat members 52 are oriented substantially horizontally in contrast to the open position illustrated in Figure 1, where the slat members 52 are oriented substantially vertically. In the closed position, the upper ends 54 of the slat members 52 overlap the lower ends of the slat members 52 and completely block the sun. Of course any intermediate position of the slat members 52 will allow more or less sun to penetrate between the slat members 52.

[0021] Turning now to the second embodiment of the covering system of the present invention illustrated in Figures 3 and 4, the covering system is designated by numeral 100. In this embodiment, the slat assemblies 102 (102A, 102B, 102C, and 102D) comprise a pair of elongated slat members 104, 106 pivotally attached to a common shaft 108 along their longitudinal upper edges. A hinge 103 supports the slat assemblies 102 in a pivotal relationship on the shaft 108. The slat assemblies 102 are mounted in a parallel relationship to each other and to longitudinal axes of the cross beams 32 and 36.

[0022] The slat members 104, 106 have a substantially J-shaped profile and are mirror images of each other. The upwardly turned lower edges 105 of the slat members 104 face toward to cross beam 36, while the upwardly turned lower edge 110 of the slat members 106 face toward the cross beam 32. Each slat member 104 has a curved bottom 107, and each slat member 106 has a curved bottom 109 with a curvature radius of the bottom 107 being substantially equal to the curvature radius of the bottom 109. When the covering system is in a closed position, the slat members extend in a substantially upright orientation over the pergola structure.

[0023] A sliding rail 120 is positioned below the slat assemblies 102 extending in a transverse relationship to longitudinal axes of the slat members 104, 106. A similar sliding rail 122 is positioned adjacent the opposite ends of the slat assemblies 102 adjacent the cross beam 30. The sliding rails 120 and 122 extend in parallel to the cross beams 30 and the cross beam opposite the cross beam, which is not shown in the drawings.

[0024] Some of the sliding rails 120 and 122 comprise a first inclined rail member 130 positioned adjacent the bottom 109 of the slat member 106, a second inclined rail member 132 positioned adjacent the bottom 105 of the slat member 104 and a third middle rail member 134 positioned between the first inclined rail member 130 and the second inclined rail member 132. The middle rail member 134 extends substantially laterally, or horizontally, and at an obtuse

angle in relation to the first inclined rail member 130 and the second inclined rail member 132. Each of the rail members 130, 132, and 134 comprises a substantially planar member of narrow profile.

[0025] A first stop 136 is formed at the intersection of the first inclined rail member 130 and the middle or third rail member 134. A second stop 138 is formed at the intersection of the second inclined rail member 132 and the third rail member 134. The bottom 107 of the slat member 104 contacts the first stop 136 when the slat assemblies are in a closed position, while the bottom 109 of the slat member 106 contacts the second stop 138 when the slat assemblies 102 are in a closed position, as shown in Figure 4.

[0026] The sliding rails adjacent the cross beams 32 and 36 are of abbreviated construction. The sliding rail 140 adjacent the cross beam 36 comprises an angular rail member 142 and a laterally extending end rail member 144. The angular rail member 142 extends at an obtuse angle to the end rail member 144. The sliding rail 146 adjacent the cross beam 32 comprises a first angular rail member 148 and a laterally extending end rail member 150, which is oriented at an obtuse angle in relation to the angular rail member 148. The mirror image sliding rail 122 has similarly arranged rail members.

[0027] The sliding rails 120 and 122 are formed on top of a rail frame 152, which is in turn fitted within the pergola structure 20 and is supported by the cross beams of the pergola structure. The rail frame 152 comprises supporting rails 154, 156, 158, and 160, which form a rectangular or square rail supporting structure. The sliding rails 120 and 122 are formed by top edges of the supporting rails 154, 158.

[0028] A curved spreader member 170 is located on top of the supporting rails 154, 156 between the angular and inclined sliding rails. The spreader member 170 is positioned to fit between the curved bottoms 107 and 109 of the slat members 104 and 106, respectively when the slat assemblies 102 are in an open position, as shown in Figure 3. The spreader member 170 is located below the raised slat members 104 and 106 when the slat assemblies are in the open position, as shown in Figure 4.

[0029] The pergola covering system 100 comprises a lifting means for moving the slat assemblies 102 between a normal open position to a closed position, the lifting means comprising a pair of power units 172, 174 mounted below the rail frame 152. A connection cable 176 extends between the power units 172 and 174 to facilitate synchronized movement of the sliding rails in moving the slat members 104, 106 between the open and closed positions.

The power units 172, 174 can be hydraulically or electrically operated; they can also be operated by pressurized gas. A single power switch 180 with a handle 182 is used to activate opening and closing of the slat assemblies 102. The power units 172, 174 can be mounted on the vertical supports 24, 26 or on specially provided brackets 184, 1846 respectively, which are carried by the vertical supports 24, 26.

[0030] Each power unit 172, 174 has a telescopically extendable lifting member 173, 175, respectively, which urge against the underside of the rail frame 152 in lifting and lowering the rail frame. As the rail frame is lifted, the sliding rails are lifted causing the pivotal action of the slat members 104, 106. The bottom sections of the hinged slat members 104, 106 move apart causing the slat members to extend at a greater angle in relation to each other. The edges 105, 110 then come together and close the canopy above the pergola structure 20. When the handle 182 is moved to de-activate the lifting members 173, 175, the power units 172, 174 allow the lifting arms to telescopically move down into the housings of the power units.

[0031] The slat members 104, 106 are then move closer together into an almost vertical orientation, as shown in Figure 3, while the bottoms 107, 109 of the slat members 104, 106 slide along the sliding rails 120, 122. In the closed position, the bottoms of the slat members 104, 106 contact the stops 136, 138 and rest above the middle lateral sliding rails 134 and end rails 144, 150. Of course, the power units 172, 173 can be activated and de-activated in any desired position of the slat members so that the pergola structure 20 is partially covered.

[0032] Similar to the first embodiment, the cross beam 30 is provided with drain openings 74 to allow runoff of water from the slat assemblies 102. When the slat assemblies 102 are in the closed position, the drain openings 74 are positioned above the upwardly curved portions of the slat members 104, 106.

[0033] The length of the slat assemblies can be adjusted to accommodate an existing or standard pergola structure. Similarly, the width of the slat members can be modified to fit the dimensions of standard or existing pergola structure. The covering systems 10 and 100 can also be custom made for a specific arbor structure. The slat assemblies can be formed from a variety of non-corrosive and/or weather-resistant materials.

[0034] Many changes and modifications can be made in the design of the present invention without departing from the spirit thereof. I, therefore, pray that my rights to the present invention be limited only by the scope of the appended claims.

I claim:

1. A roof covering apparatus for a structure having a plurality of upright supports and at least a pair of parallel cross beams secured to the upright supports, the apparatus comprising:
a plurality of elongated parallel slat assemblies, each slat assembly comprising a movable rod extending between the slat assemblies for synchronized pivoting, a lever rod configured to impart pivotal movement on the slat assemblies a power source operationally connected to the lever rod, the power source supplying motive force for pivotal movement of the slat assemblies between an open position and a closed position, a pivotal shaft mounted for pivotal movement between said at least pair of parallel cross beams, wherein pivotal shafts extend transversely to longitudinal axes of the cross beams, and at least one slat member carried by said pivotal shaft, said slat assemblies being movable between an open position when the at least one slat member is in a substantially upright orientation and a closed position when the at least one slat member of each of the slat assemblies extends in a covering relationship over the structure.
2. The apparatus of claim 1, wherein the at least one slat member has an S-shaped profile.
3. The apparatus of claim 1, wherein the at least one slat member has a J-shaped profile.
4. The apparatus of claim 2, wherein the at least one slat member has a pair of opposing longitudinal edges, which curve in opposite directions and wherein a longitudinal edge of the at least one slat member overlaps a longitudinal edge of an adjacent slat member when the slat assemblies extend in a covering relationship over the structure.
5. The apparatus of claim 1, wherein at least one of the slat assemblies carries a lever tongue secured between the shaft and the lever rod, the lever tongue transmitting motive force from the lever rod to the at least one slat assembly when the lever rod moves up or down.
6. The apparatus of claim 3, wherein each of the slat assemblies comprises a pair of elongated slat members, each having a curved bottom and pivotally attached to a common shaft along their upper edges, and wherein each of the pair of the slat members is a mirror image of another slat member, and is secured to the pivotal shaft along its upper longitudinal edge.
7. The apparatus of claim 6, comprising a hinge supporting each of the slat assemblies in a pivotal relationship on the shaft.
8. The apparatus of claim 6, wherein each of the slat members has an upwardly turned lower edge, and wherein the upwardly turned lower edge of one of the pair of slat members faces in a direction opposite to the upwardly turned lower edge of another of the pair of slat members.

9. The apparatus of claim 6, comprising a pair of sliding rails positioned below the slat assemblies and extending in a transverse relationship to longitudinal axes of the slat assemblies, each of the sliding rails comprising a first inclined rail member positioned adjacent the bottom of one slat member, a second inclined rail member positioned adjacent the bottom of an adjacent slat member, and a middle rail member positioned between the first inclined rail member and the second inclined rail member, the middle rail member extending substantially horizontally and at an obtuse angle in relation to the first inclined rail member and the second inclined rail member.

10. The apparatus of claim 9, comprising a first stop formed at the intersection of the first inclined rail member and the middle rail member and a second stop formed at the intersection of the second inclined rail member and the middle rail member, the bottom of one of the pair of slat members being configured to contact the first stop, and the bottom of another of the pair of slat members is configured to contact the second stop when the slat assemblies are in a closed position.

11. The apparatus of claim 9, comprising a curved spreader member positioned between the adjacent inclined rail members, the spreader member being configured to fit between curved bottoms of the pair of the slat members when the slat assemblies are in the open position.

12. The apparatus of claim 11, comprising a power source configured to move the sliding rail members and the spreader member and transmit pivotal force to the slat assemblies.

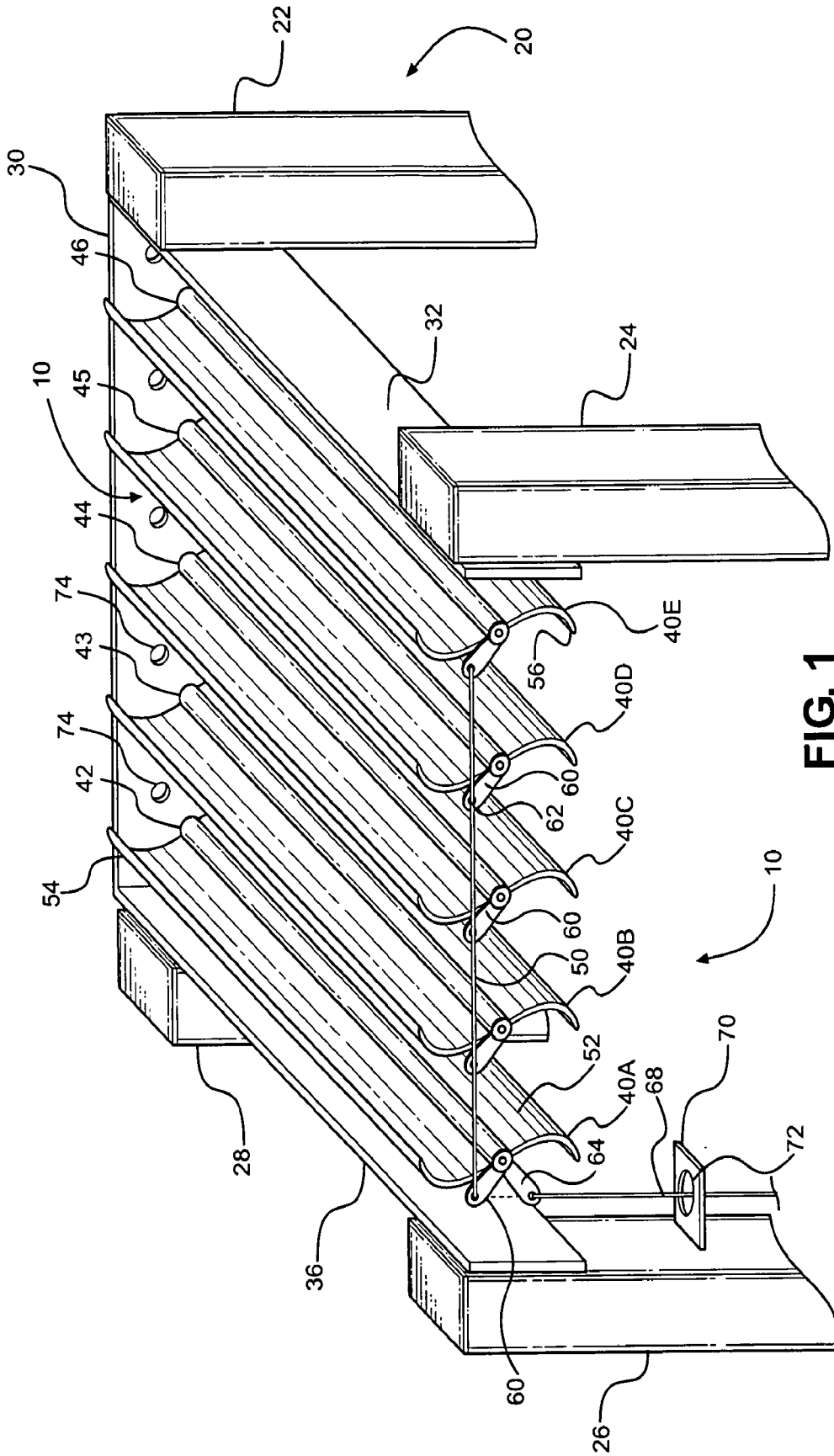


FIG. 1

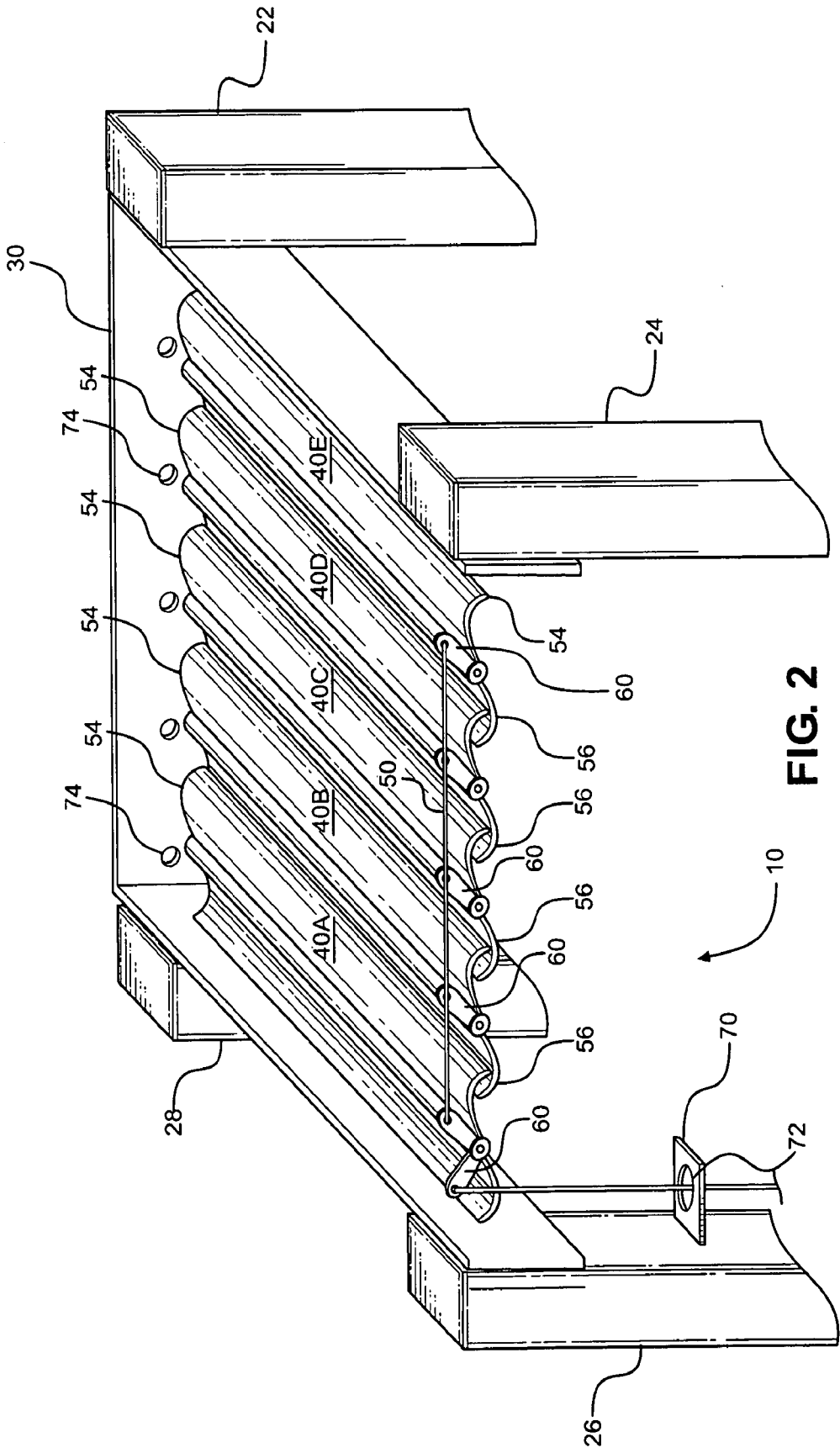


FIG. 2

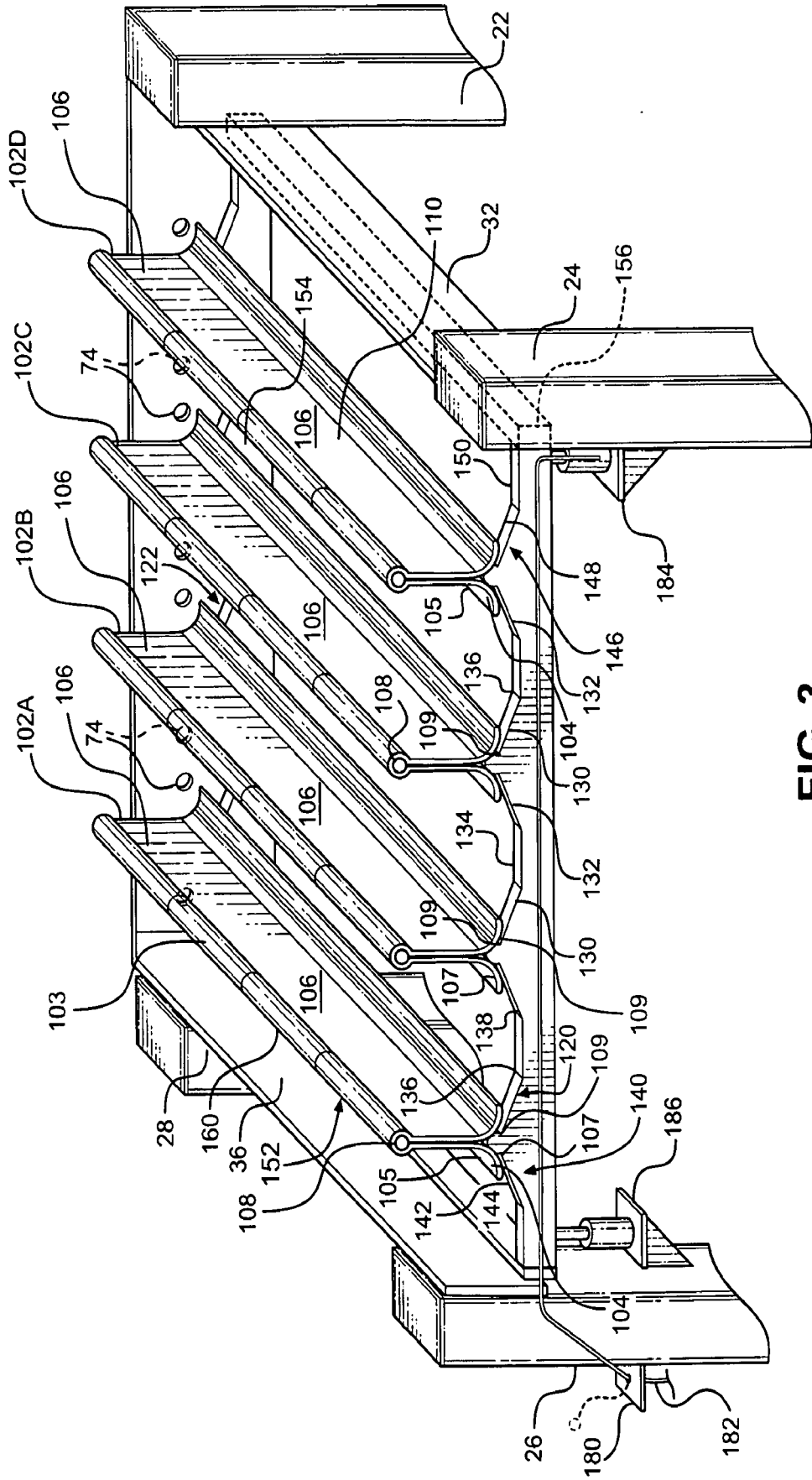


FIG. 3

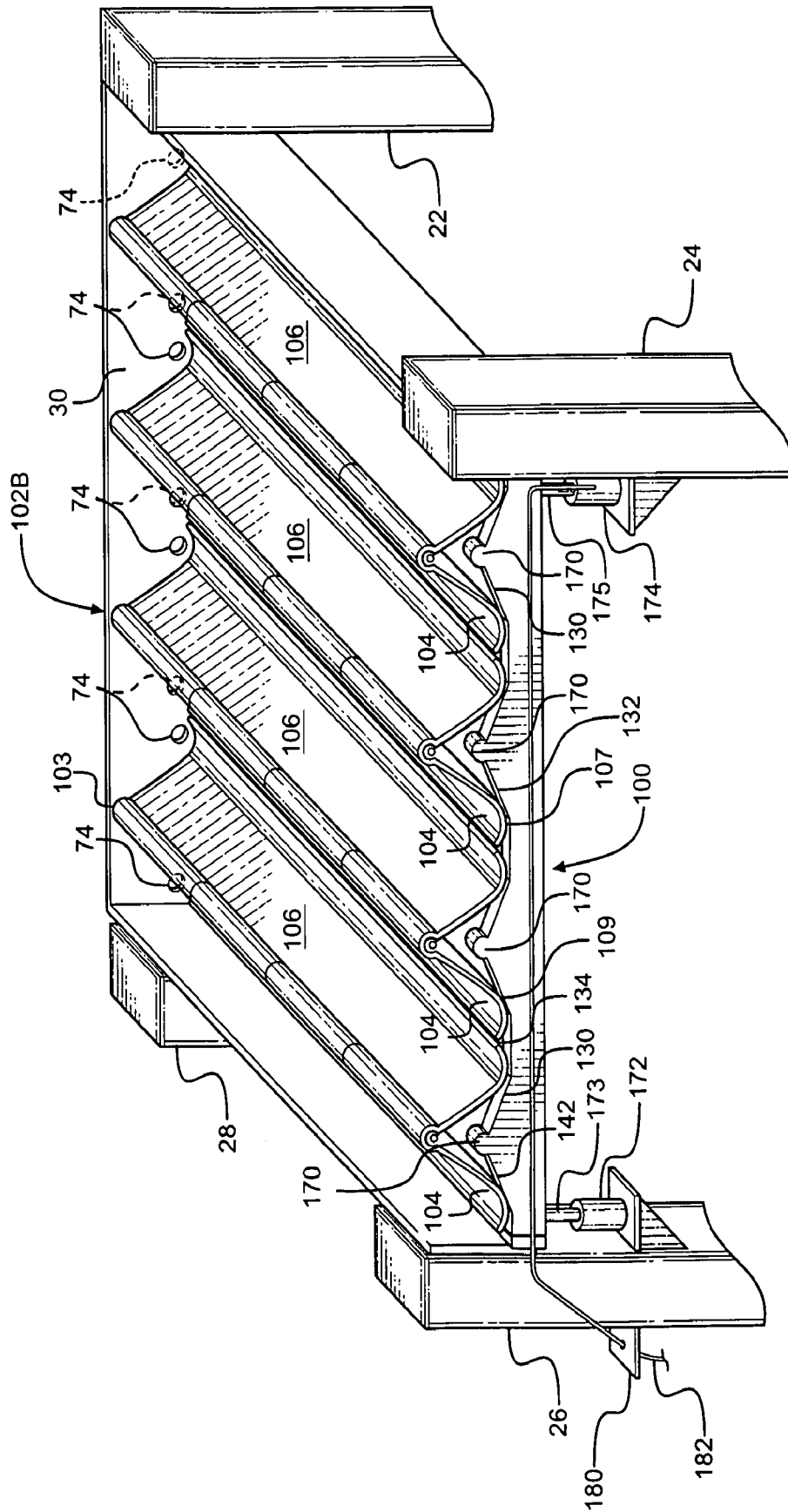


FIG. 4

INTERNATIONAL SEARCH REPORT

International application No.

PCT/US 15/59844

A. CLASSIFICATION OF SUBJECT MATTER IPC(8) - E04B 7/16 (2016.01) CPC - E04B 7/163 According to International Patent Classification (IPC) or to both national classification and IPC		
B. FIELDS SEARCHED Minimum documentation searched (classification system followed by classification symbols) IPC(8) - E04B 7/00, E04B 7/16, E05F 17/00, E04F*, E04B*, E04D* (2016.01) CPC - E04B 7/00, E04B 7/16, 7/163, 7/166, E04F 10/00, E04F 10/08, E04F 10/10 Documentation searched other than minimum documentation to the extent that such documents are included in the fields searched UC - 49/275, 49/73.1, 49/74.1, 49/82.1, 49/90.1, 49/91.1, 49/92, 49/92.1 Electronic data base consulted during the international search (name of data base and, where practicable, search terms used) PatBase, Google Patents, Google Scholar, Google Image. Search Terms Included: j shaped OR j-shaped; louver%; pergola cover; pergola AND cover; pivot* OR rotat* OR turn*; roof OR veranda OR pergola; s-shape* OR s shape*; louver*; rotating OR pivoting; open and close*; roof% OR veranda% OR pergola% OR arbor%; power OR energy		
C. DOCUMENTS CONSIDERED TO BE RELEVANT		
Category*	Citation of document, with indication, where appropriate, of the relevant passages	Relevant to claim No.
Y -- A	US 205,064 A (Doolittle) 18 June 1878 (18.06.1878), entire document, especially Fig 1-5; pages 1-2	1-3, 4 ----- 6-12
Y -- A	US 5,862,633 A (Van Ells) 26 January 1999 (26.01.1999), entire document, especially Fig 1, 3; Col 4, ln 61-67	1-3, 4-5 ----- 6-12
Y -- A	US 4,527,355 A (Numakami et al.) 09 July 1985 (09.07.1985), entire document, especially Figs 1-4; Col 3, ln 40-43, 46-59	1, 5 ----- 6-12
Y -- A	US 2,839,795 A (Ruggles) 24 June 1958 (24.06.1958) entire document, especially col 4, ln 12-14; figs. 1-3	3 ----- 6-12
A	US 4,926,599 A (Scholz) 22 May 1990 (22.05.1990), entire document	1
A	US 5,732,507 A (Edwards) 31 March 1998 (31.03.1998), entire document	1
A	US 2014/0175240 A1 (Selzer) 26 June 2014 (26.06.2014), entire document	1
<input type="checkbox"/> Further documents are listed in the continuation of Box C. <input type="checkbox"/>		
* Special categories of cited documents: "A" document defining the general state of the art which is not considered to be of particular relevance "E" earlier application or patent but published on or after the international filing date "L" document which may throw doubts on priority claim(s) or which is cited to establish the publication date of another citation or other special reason (as specified) "O" document referring to an oral disclosure, use, exhibition or other means "P" document published prior to the international filing date but later than the priority date claimed		"T" later document published after the international filing date or priority date and not in conflict with the application but cited to understand the principle or theory underlying the invention "X" document of particular relevance; the claimed invention cannot be considered novel or cannot be considered to involve an inventive step when the document is taken alone "Y" document of particular relevance; the claimed invention cannot be considered to involve an inventive step when the document is combined with one or more other such documents, such combination being obvious to a person skilled in the art "&" document member of the same patent family
Date of the actual completion of the international search 1 March 2016	Date of mailing of the international search report 10 MAR 2016	
Name and mailing address of the ISA/US Mail Stop PCT, Attn: ISA/US, Commissioner for Patents P.O. Box 1450, Alexandria, Virginia 22313-1450 Facsimile No. 571-273-8300	Authorized officer: Lee W. Young PCT Helpdesk: 571-272-4300 PCT OSP: 571-272-7774	

INTERNATIONAL SEARCH REPORT

International application No.

PCT/US 15/59844

Box No. II Observations where certain claims were found unsearchable (Continuation of item 2 of first sheet)

This international search report has not been established in respect of certain claims under Article 17(2)(a) for the following reasons:

1. Claims Nos.:
because they relate to subject matter not required to be searched by this Authority, namely:

2. Claims Nos.:
because they relate to parts of the international application that do not comply with the prescribed requirements to such an extent that no meaningful international search can be carried out, specifically:

3. Claims Nos.:
because they are dependent claims and are not drafted in accordance with the second and third sentences of Rule 6.4(a).

Box No. III Observations where unity of invention is lacking (Continuation of item 3 of first sheet)

This International Searching Authority found multiple inventions in this international application, as follows:
This application contains the following species of the generic invention which are not so linked as to form a single general inventive concept under PCT Rule 13.1.

In order for all inventions to be examined, the appropriate additional examination fees must be paid. The species are as follows:

The embodiments are directed to a roof covering apparatus for a structure having a plurality of upright supports and at least a pair of parallel cross beams secured to the upright supports, comprising a plurality of elongated parallel slat assemblies.

Group I: directed to a roof covering apparatus wherein the at least one slat member has a S-shaped profile.

Group II: directed to a roof covering apparatus wherein the at least one slat member has a J-shaped profile.

-*Continued in Supplemental Box-*

1. As all required additional search fees were timely paid by the applicant, this international search report covers all searchable claims.
2. As all searchable claims could be searched without effort justifying additional fees, this Authority did not invite payment of additional fees.
3. As only some of the required additional search fees were timely paid by the applicant, this international search report covers only those claims for which fees were paid, specifically claims Nos.:

4. No required additional search fees were timely paid by the applicant. Consequently, this international search report is restricted to the invention first mentioned in the claims; it is covered by claims Nos.:

Remark on Protest

- The additional search fees were accompanied by the applicant's protest and, where applicable, the payment of a protest fee.
- The additional search fees were accompanied by the applicant's protest but the applicable protest fee was not paid within the time limit specified in the invitation.
- No protest accompanied the payment of additional search fees.

INTERNATIONAL SEARCH REPORT

International application No.

PCT/US 15/59844

-*-Supplemental Box - Box III - Lack of Unity of Invention-*-

The claims are deemed to correspond to the species listed above in the following manner:

Group I claims 1-2, 5 (as directed to a slat member having a S-shaped profile - as exemplified in Figs 1-2)

Group II claims 1, 3, 6-12 (as directed to a slat member having a J-shaped profile - as exemplified in Figs 3-4)

Claim considered as generic: 1

The inventions listed as Groups I-III do not relate to a single general inventive concept under PCT Rule 13.1 because, under PCT Rule 13.2, they lack the same or corresponding special technical features for the following reasons:

COMMON TECHNICAL FEATURES

The features shared by the inventions of Group I-III is a roof covering apparatus having a plurality of elongated parallel slat assemblies, wherein each slat assembly comprises: a movable rod; a lever rod; a power source operationally connected to the lever rod, wherein the power source supplies the motive force for pivotable movement of the slat assemblies; a pivotable shaft mounted for pivotable movement between at least a pair of parallel cross beams; and at least one slat member carried by the pivotable shaft.

However, these shared technical features do not represent a contribution over prior art, because the shared technical features are taught by US 205,064 A to Doolittle and US 5,862,633 A to Van Ells.

As per claim 1, Doolittle teaches a roof covering apparatus (awning - not labeled, see generally Fig 1) for a structure (storefront A, Fig 1) having a plurality of upright supports (awning-posts B, Fig 1) and at least a pair of parallel cross beams (iron rafters D, Fig 1) secured to the upright supports (as shown in Fig 1, the awning for storefront A includes a plurality of awning-posts B and at least a pair of parallel iron rafters D secured to awning-posts B; page 1 - A represents the front of a store, and B a series of awning-posts, placed near the curbstone at the outside of the sidewalk. These posts may be constructed of wood or iron, substantially in the same manner as those in common use. They support a place, C, which carries the outer ends of the wood or iron rafters D), the apparatus comprising:

a plurality of elongated parallel slat assemblies (rolling slats E, Fig 1), each slat assembly comprising
 a movable rod (bar F, Fig 1) extending between the slat assemblies for synchronized pivoting (as shown in Fig 1, bar F extends between rolling slats E for synchronized pivoting; page 2 - A crank, c, is attached to the shaft K, and, through the agency of the connection [d], which is attached to the bar F, moves the latter, together with the slats E, whenever the wheel G is turned in either direction),

a lever rod (connection d, see Figs 2 and 4) configured to impart pivotal movement on the slat assemblies (as shown in Fig 1, connection d is configured to impart pivotal movement on rolling slats E; page 2 - A crank, c, is attached to the shaft K, and, through the agency of the connection [d], which is attached to the bar F, moves the latter, together with the slats E, whenever the wheel G is turned in either direction), (see Box VIII)

a pivotal [shaft] (pivots m, Fig 5) mounted for pivotal movement between said at least pair of parallel cross beams (as shown in Figs 1 and 5, pivots m are mounted for pivotal movement between the at least pair of parallel iron rafters D; page 1 - The ends of the slats E are provided with metal stapes K, riveted or otherwise secured thereto, and carrying the pivots m, upon which the slats rotate in suitable bearings formed for their reception in the rafters),

wherein pivotal shafts extend transversely to longitudinal axes of the cross beams (as shown in Figs 1 and 5, pivots m extend transversely to the longitudinal axes of the cross beams), and

at least one slat member (body of rolling slat E, see generally Fig 5) carried by said pivotal shaft (as shown in Fig 5, each body of each rolling slat E is carried by pivots m),

said slat assemblies being movable between an open position when the at least one slat member is in a substantially upright orientation (as shown in Fig 1, the rolling slats E are movable between an open position - see left side of Fig 1 - when the at least one body of rolling slat E is in a substantially upright orientation) and a closed position when the at least one slat member of each of the slat assemblies extends in a covering relationship over the structure (as shown in Fig 1, the rolling slats E are movable from the open position - see left side of Fig 1 - to a closed position - see right side of Fig 1 - when the at least one body of rolling slat E extends in a covering relationship over storefront A); but Doolittle does not specifically teach a power source operationally connected to the lever rod, the power source supplying motive force for pivotal movement of the slat assemblies between an open position and a closed position; nor does Doolittle specifically teach wherein the pivots m comprise a pivotal shaft.

However, Doolittle does substantially teach wherein each pivot m is substantially on the same plane (see generally Fig 5) and enables each slat member to rotate (see generally page 1 - The ends of the slats E are provided with metal stapes K, riveted or otherwise secured thereto, and carrying the pivots m, upon which the slats rotate in suitable bearings formed for their reception in the rafters). Moreover, making integral diverse elements is within the ordinary skill of one in the art. Moreover, in manufacturing applications, the use of minimizing elements is well-known to those having skill in the art as it simplifies the manufacturing process. Accordingly, it would have been obvious to a person having ordinary skill in the arts using engineering design choices to make integral pivots m into a single shaft portion of the slat assembly, thereby enabling a user to minimize the necessary amount of parts for the invention such as to reduce manufacturing costs.

...

INTERNATIONAL SEARCH REPORT

International application No.

PCT/US 15/59844

-*-Supplemental Box - Box IV.2 - Lack of Unity of Invention -*-

...

Further, Doolittle does teach wherein the roof covering apparatus includes mechanical equipment (mechanism by which the slats are operated; see generally page 1, see also Fig 2) to control the movement of each slat assembly (as shown in Figs 3-4, the mechanism controls the movement of each rolling slat E; page 1 - A broad board or covering-piece, E', having a projecting ledge on its underside and lower edge, is placed next the building, and covers the mechanism by which the slats are operated, consisting of the toothed wheel G, mounted upon the shaft K, which revolves in bearings in the supporting frame H, secured to the wall of the building). In addition, powered louvers are well-known in the art and, in particular, Van Ells teaches a building cover system (building cover system 10, Fig 1) that includes a power source (motor 44, Fig 3) operationally connected to a lever (as shown in Fig 3, motor 44 is operationally connected to ropes - not labeled, see generally Col 4, ln 61-64 - Finally, a slat control assembly 42 includes a pair of ropes connected between opposite ends of slats adjacent to one of the long edges for effecting the coincident pivoting of the slats.), the power source supplying motive force for pivotal movement of slat assemblies between an open position (see Fig 3) and a closed position (see Fig 1; as shown in Fig 1 and Fig 3, motor 44 supplies motive force for pivotable movement between the open and closed position; Col 4, ln 64-67 - A motor 44 with a spindle mounted thereon is provided for pulling at least one of the ropes for raising the slats to the raised orientation and releasing the at least one of the ropes for lowering the slats to the lowered orientation.). Moreover, in manufacturing applications, automation by powered equipment is well-known to those having skill in the art due to minimizing user involvement in the mechanical process such as to minimize human error. Accordingly, it would have been obvious to a person having ordinary skill in the art to implement the power source as taught by Van Ells in the apparatus of Doolittle, thereby enabling a user to provide powered automation of the movement of the slat assemblies such as to simplify ease of operation so as to minimize human error involved within the opening or closing process.

As the technical features were known in the art at the time of the invention, they cannot be considered special technical features that would otherwise unify the groups.

Therefore, Groups I-II lack unity under PCT Rule 13 because they do not share a same or corresponding special technical feature.