



US00D484200S

(12) **United States Design Patent** (10) **Patent No.:** **US D484,200 S**
Nye et al. (45) **Date of Patent:** **** Dec. 23, 2003**

(54) **BASKETBALL BACKBOARD**
(75) Inventors: **Curtis Nye**, Clinton, UT (US); **Robert A. Astle**, Farmington, UT (US); **Christopher Anthony Parada**, Roy, UT (US); **Kevin Bingham**, deceased, late of Farmington, UT (US), by Kathleen W. Bingham, executor
(73) Assignee: **Lifetime Products, Inc.**, Clearfield, UT (US)
(**) Term: **14 Years**

5,211,393 A * 5/1993 Rolffs et al. 473/484
D338,934 S * 8/1993 Vander Weide D21/702
5,377,976 A 1/1995 Matherne et al.
5,388,821 A 2/1995 Blackburn
5,464,207 A 11/1995 Boitano
5,480,139 A 1/1996 Owen, Jr. et al.
6,004,231 A 12/1999 Schickert et al.
6,077,177 A 6/2000 Winter et al.
D431,620 S * 10/2000 Hill D21/704
6,142,891 A 11/2000 Winter et al.
6,155,938 A 12/2000 Mower
D438,920 S * 3/2001 Matteucci et al. D21/701
6,296,583 B1 10/2001 Tatar, Sr.

FOREIGN PATENT DOCUMENTS

WO DM/063148 * 9/2002 21/2

* cited by examiner

Primary Examiner—Philip S. Hyder
Assistant Examiner—C Tuttle
(74) *Attorney, Agent, or Firm*—Workman Nydegger

(57) **CLAIM**

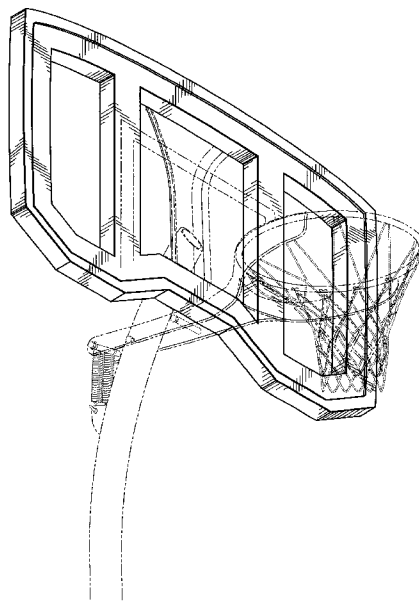
The ornamental design for a basketball backboard, as shown and described.

DESCRIPTION

FIG. 1 is a perspective view of the basketball backboard; FIG. 2 is a front side view of the basketball backboard; FIG. 3 is a rear side view of the basketball backboard; FIG. 4 is a top view of the basketball backboard; FIG. 5 is a right view of the basketball backboard; FIG. 6 is a left view of the basketball backboard; and, FIG. 7 is a bottom view of the basketball backboard. The broken lines shown in FIGS. 1, 2 and 3 are for illustrative purposes only and form no part of the claimed design.

1 Claim, 3 Drawing Sheets

(56) **References Cited**
U.S. PATENT DOCUMENTS
D139,311 S * 10/1944 Gibson D21/702
3,362,709 A 1/1968 Rossini
3,462,143 A 8/1969 Bidelman et al.
4,285,518 A 8/1981 Pearo
4,465,277 A 8/1984 Dittrich
4,534,556 A 8/1985 Estlund et al.
4,575,079 A 3/1986 De Faveri
4,676,503 A 6/1987 Mahoney et al.
4,723,777 A 2/1988 Jolly
4,793,611 A * 12/1988 Thornell 473/483
4,846,469 A 7/1989 Nye
4,895,365 A * 1/1990 Schroeder 473/481
5,066,007 A 11/1991 Niver
5,154,414 A 10/1992 Auer et al.



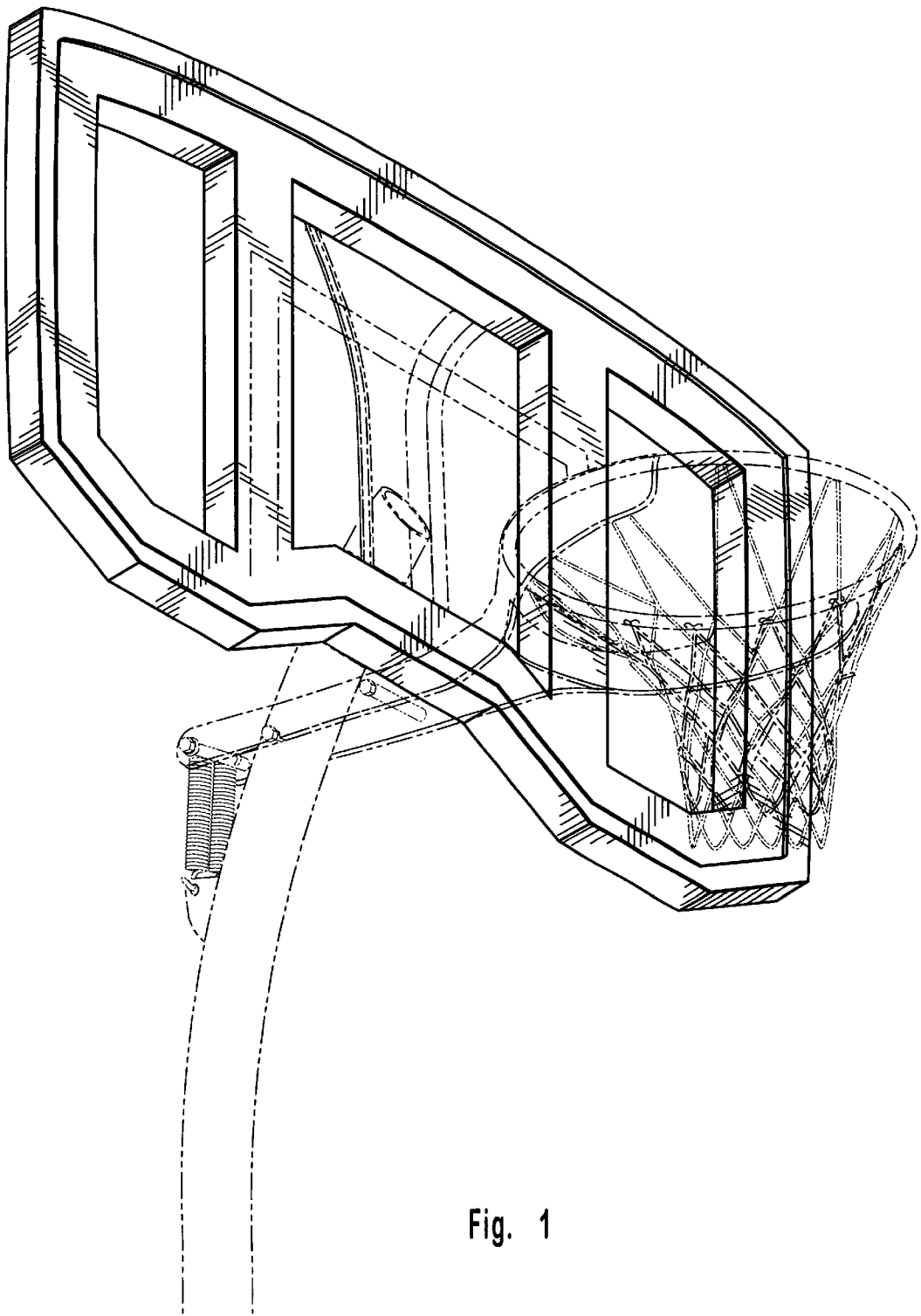


Fig. 1

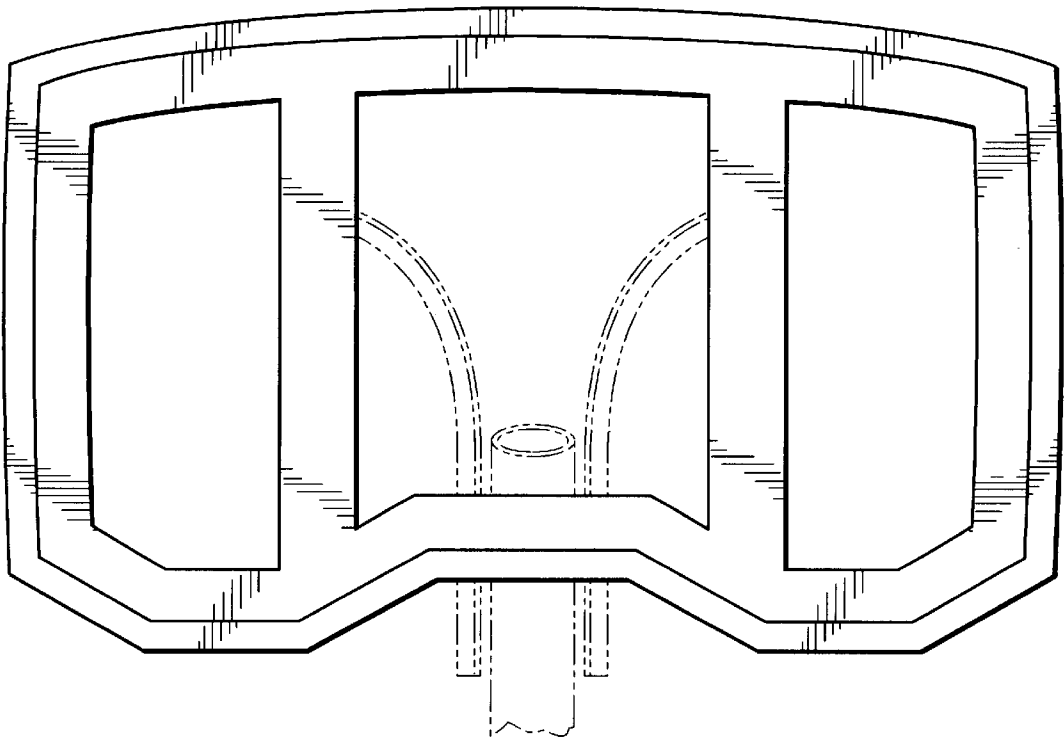


Fig. 2

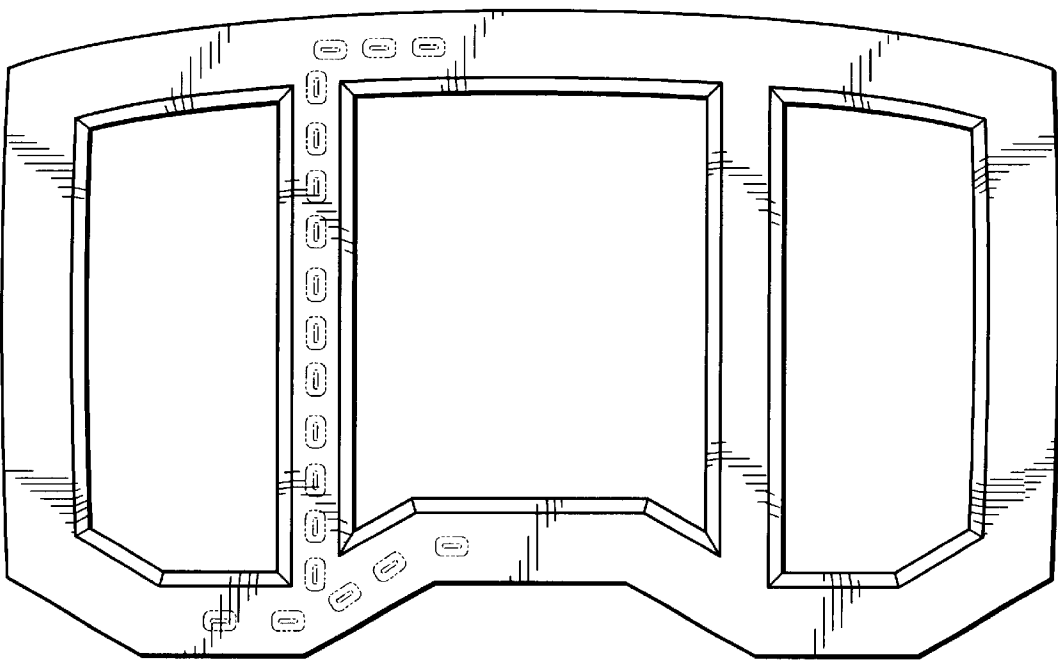


Fig. 3

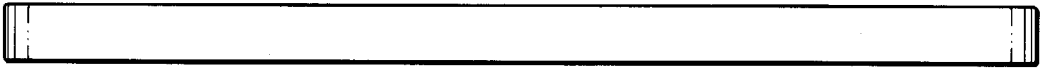


Fig. 4



Fig. 5



Fig. 6

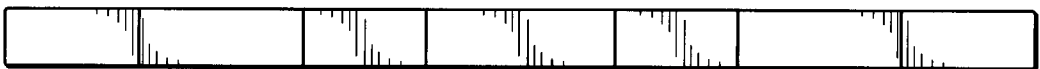


Fig. 7