



US00D895035S

(12) **United States Design Patent**
Flick

(10) **Patent No.:** **US D895,035 S**

(45) **Date of Patent:** **** Sep. 1, 2020**

- (54) **KETTLEBELL**
- (71) Applicant: **NAUTILUS, INC.**, Vancouver, WA (US)
- (72) Inventor: **Edward L. Flick**, Brush Prairie, WA (US)
- (73) Assignee: **Nautilus, Inc.**, Vancouver, WA (US)
- (**) Term: **15 Years**

D692,509	S	*	10/2013	Kessler	D21/682
D745,644	S	*	12/2015	Burke	D23/277
D745,645	S	*	12/2015	Burke	D23/277
D796,592	S	*	9/2017	Towley	D21/682
D832,942	S	*	11/2018	Arceta	D21/680
D879,561	S	*	3/2020	Balle	D7/545
2007/0135274	A1	*	6/2007	Blateri	A63B 21/075
						482/109
2010/0331151	A1	*	12/2010	Signorile	A63B 21/00196
						482/93

(Continued)

- (21) Appl. No.: **29/725,921**
- (22) Filed: **Feb. 27, 2020**

Related U.S. Application Data

- (63) Continuation of application No. 29/662,554, filed on Sep. 6, 2018, now Pat. No. Des. 879,888.
- (51) **LOC (12) Cl.** **21-02**
- (52) **U.S. Cl.**
USPC **D21/680**
- (58) **Field of Classification Search**
USPC D21/662, 678, 679, 680-682, 684;
D7/543, 545, 551.1, 553.1, 553.3, 553.7;
D23/277, 278; D9/454, 528, 560
CPC A63B 21/00065; A63B 21/075; A63B
21/00726; A63B 21/072; A63B 21/00728
See application file for complete search history.

(56) **References Cited**

U.S. PATENT DOCUMENTS

4,659,079	A	*	4/1987	Blanchard	A63B 47/007
						206/315.9
D595,392	S	*	6/2009	Verlinden	D23/278
7,762,933	B1	*	7/2010	Yu	A63B 21/075
						482/106
D628,251	S	*	11/2010	Krull	D21/681
7,981,013	B2	*	7/2011	Krull	A63B 21/075
						482/107
D653,716	S	*	2/2012	Lin	D21/682

OTHER PUBLICATIONS

Bowflex® 840 Kettlebell | Product Overview: Published Aug. 12, 2019 [online], site visited Nov. 6, 2019. Available from Internet URL: <https://youtu.be/mJRPIILr3Ek> (Year: 2019).*

(Continued)

Primary Examiner — Jack Reickel
Assistant Examiner — Melvin L Davis
(74) *Attorney, Agent, or Firm* — Dorsey & Whitney LLP

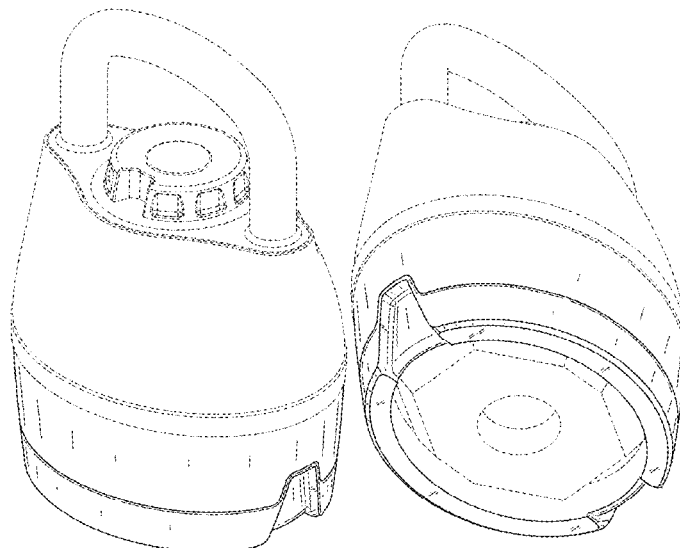
(57) **CLAIM**

I claim the ornamental design for a kettlebell, as shown and described.

DESCRIPTION

FIG. 1 shows a top isometric view of a kettlebell in accordance with the present design.
FIG. 2 shows a bottom isometric view of the kettlebell in FIG. 1.
FIG. 3 shows a front elevation view thereof.
FIG. 4 shows a rear elevation view thereof.
FIG. 5 shows a right side elevation view thereof.
FIG. 6 shows a left side elevation view thereof.
FIG. 7 shows a top plan view thereof; and,
FIG. 8 shows a bottom plan view thereof.
The broken lines illustrate portions of the kettlebell that form no part of the claimed design.

1 Claim, 8 Drawing Sheets



(56)

References Cited

U.S. PATENT DOCUMENTS

2011/0306475 A1* 12/2011 Caswell A63B 21/0601
482/93
2013/0040789 A1* 2/2013 Kessler A63B 21/072
482/108
2019/0240526 A1* 8/2019 Owusu A63B 21/00065

OTHER PUBLICATIONS

“Tupperware Modular Mate Oval Set, 4-Pieces” Sep. 21, 2015, site visited Mar. 30, 2020: <https://www.amazon.com/dp/B00KFC4AXQ/> (Year: 2015).*

“Adjustable Weight Set for Exercise” Dec. 4, 2017, Amazon.com, site visited Mar. 30, 2020: https://www.amazon.com/dp/B074N5392C/ref=cm_sw_r_tw_dp_U_x_aexGEbR8YN0G6 (Year: 2017).*

“Adjustable Titan Fitness kettlebell” May 1, 2016, site visited Mar. 30, 2020: https://www.amazon.com/dp/B01B6RZSH0/ref=cm_sw_r_tw_dp_U_x_v.wGEbA9PBBV5 (Year: 2016).*

“Sterilite 19859806 30-Quart Ultra Latch Box, White Lid See-Through Base” Nov. 10, 2015, Amazon.com, site visited XXDATEXX: <https://www.amazon.in/dp/B002BA5F5C> (Year: 2015).*

* cited by examiner

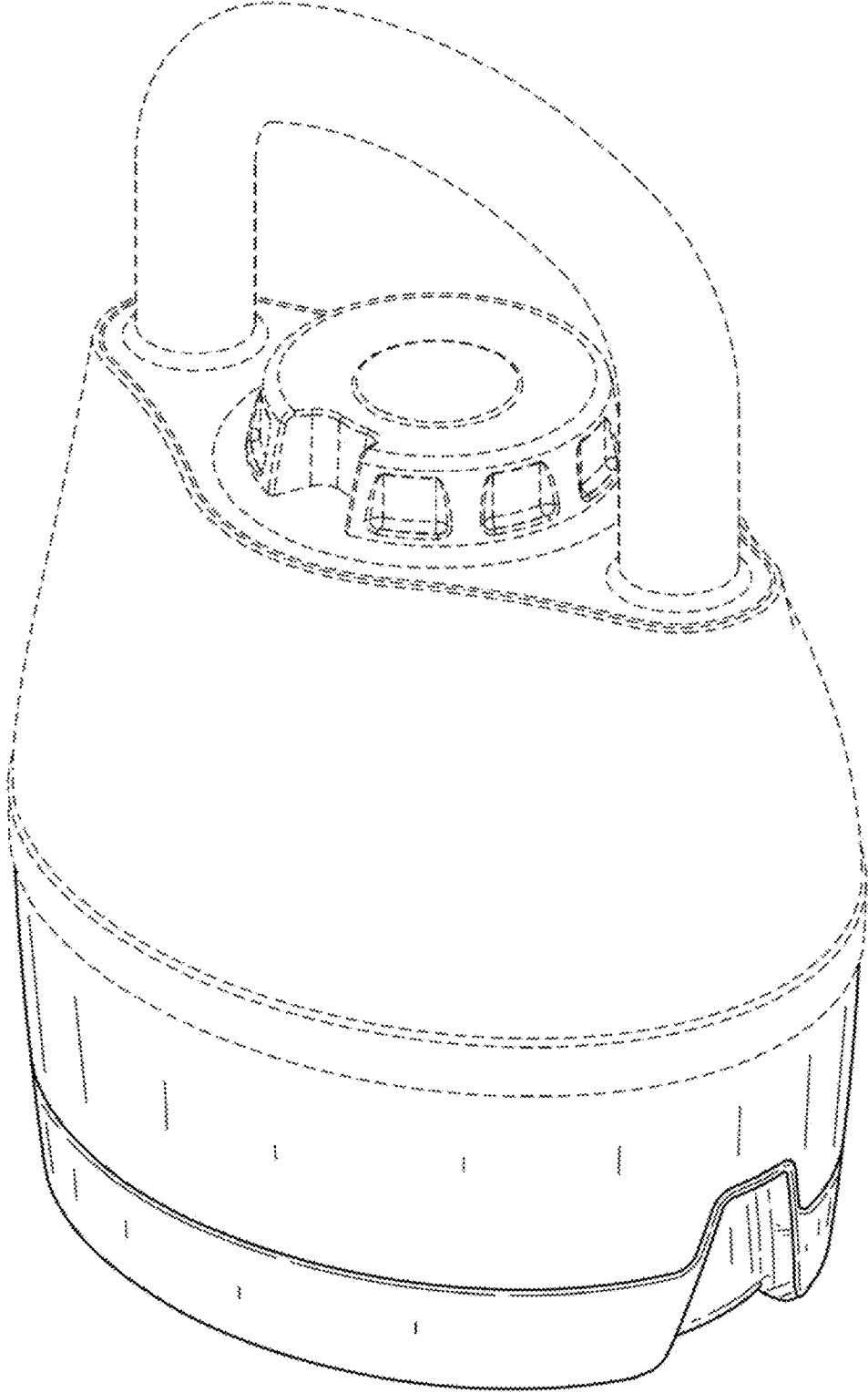


FIG. 1

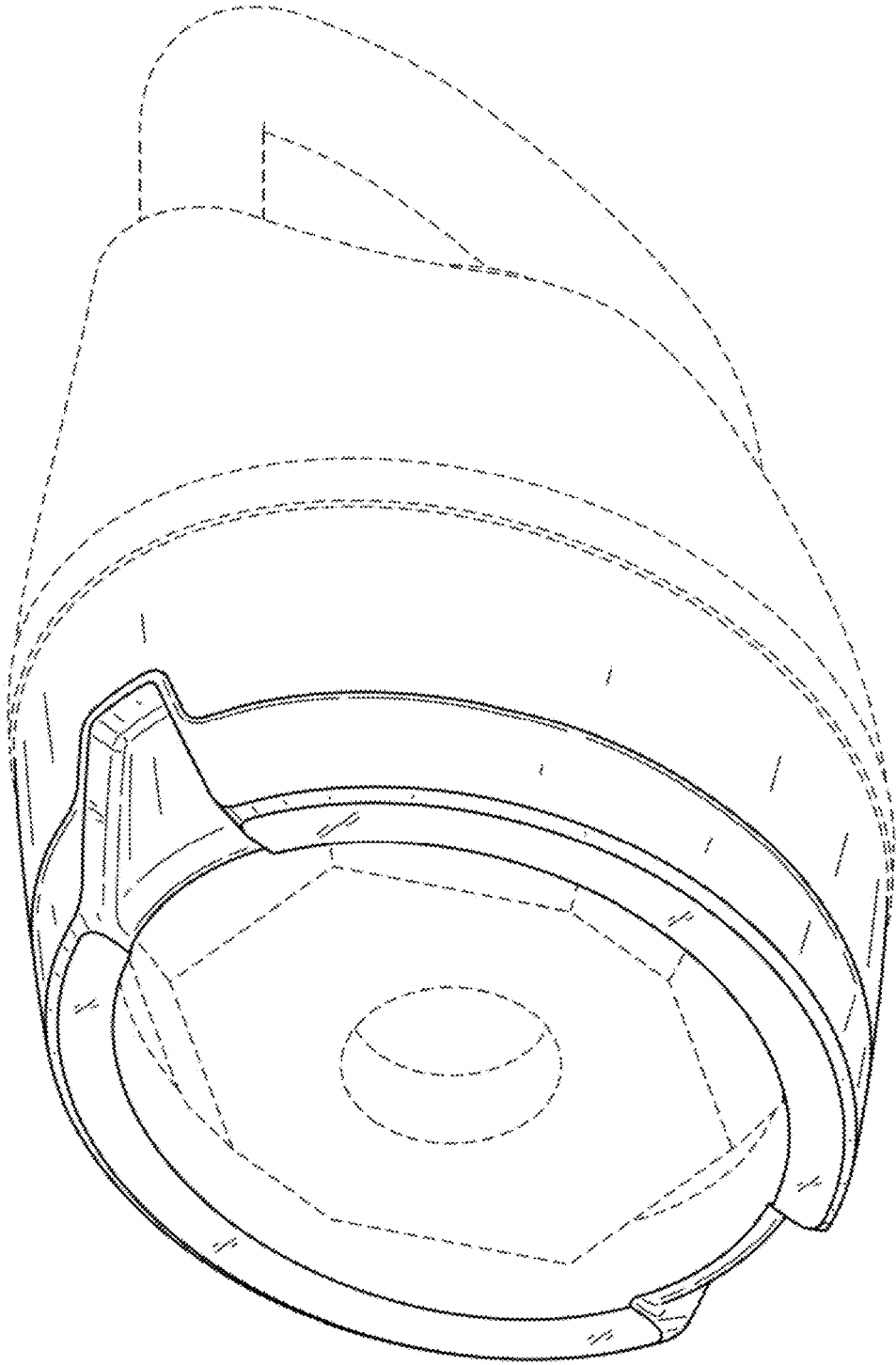


FIG. 2

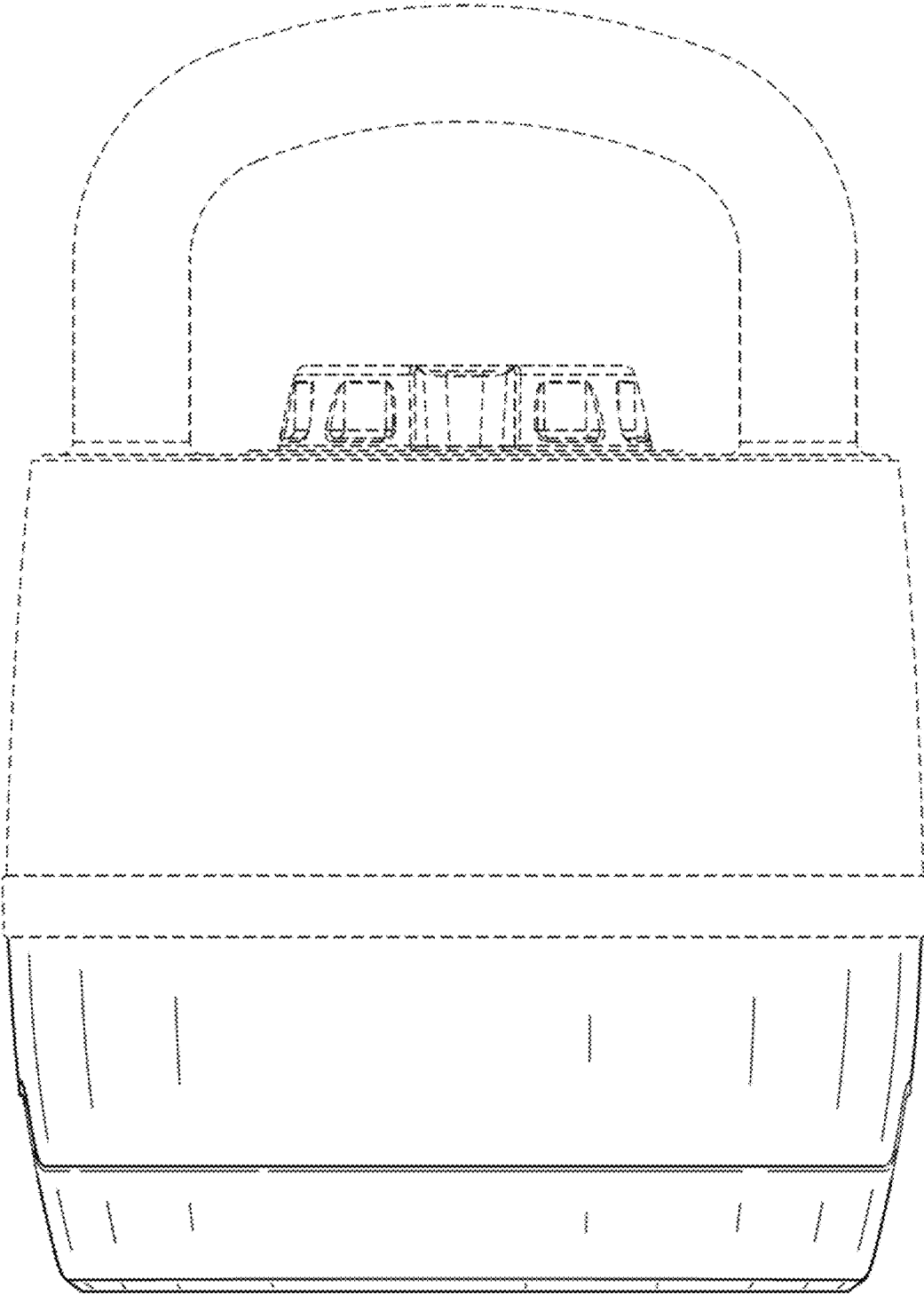


FIG. 3

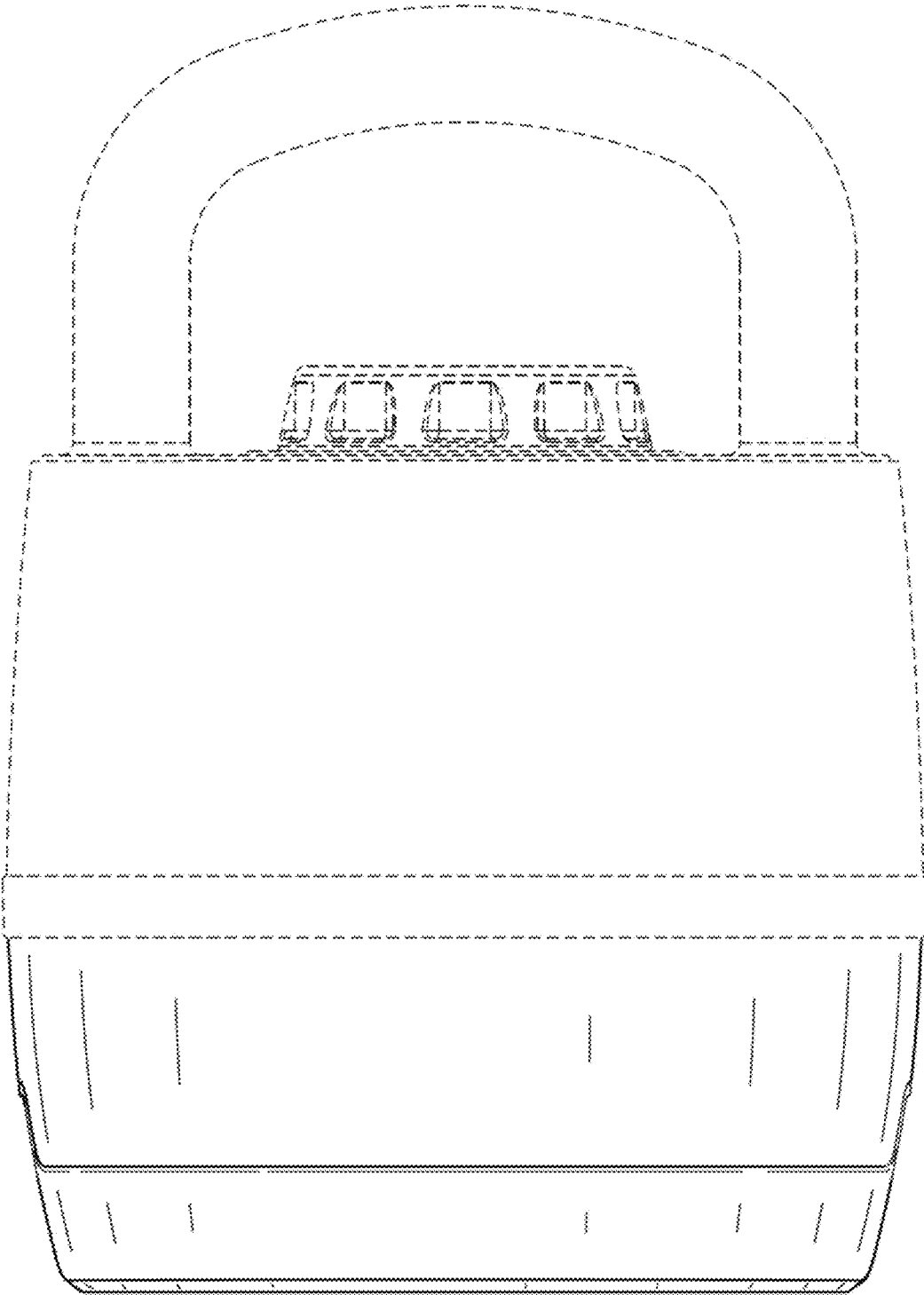


FIG. 4

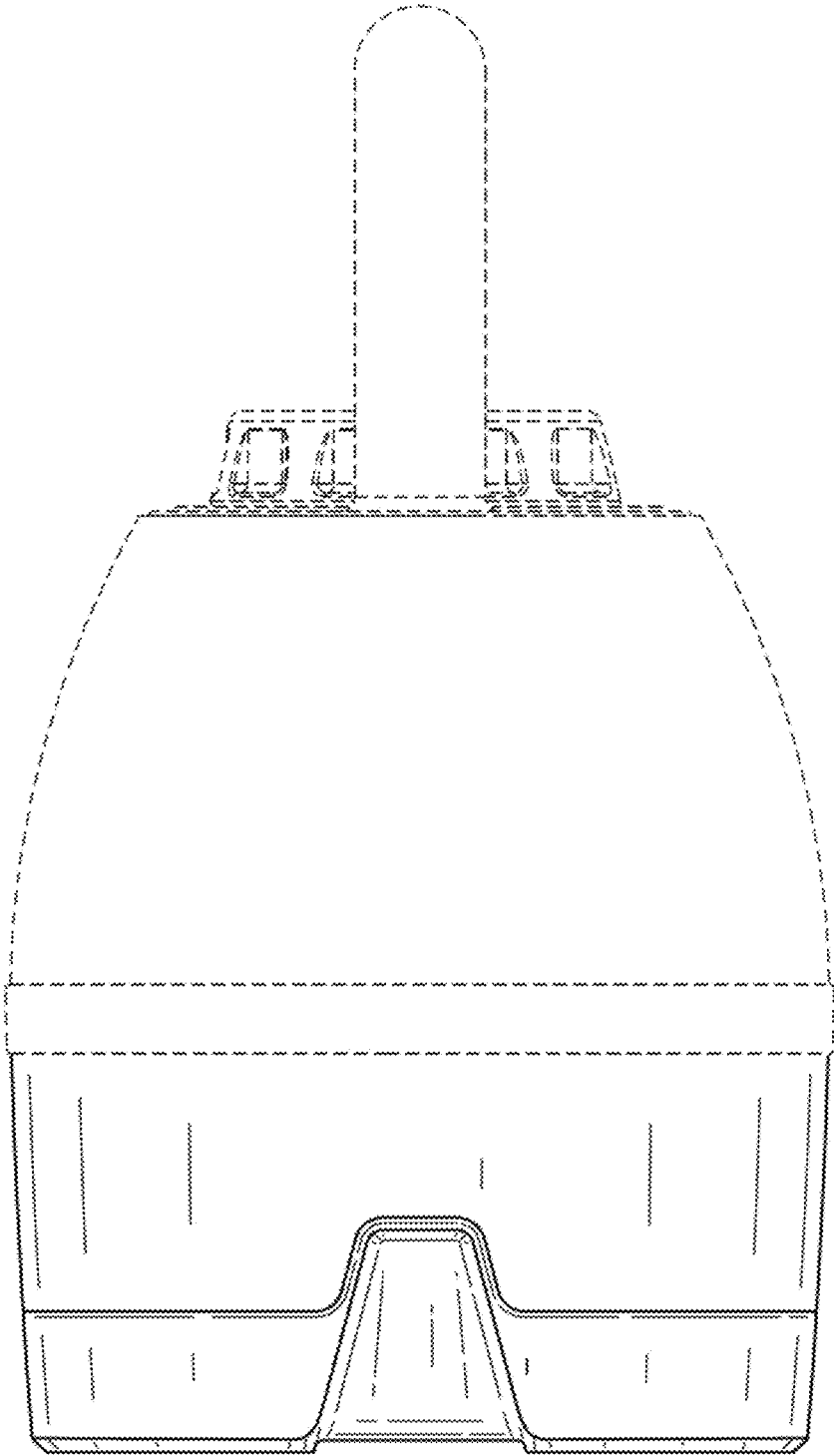


FIG. 5

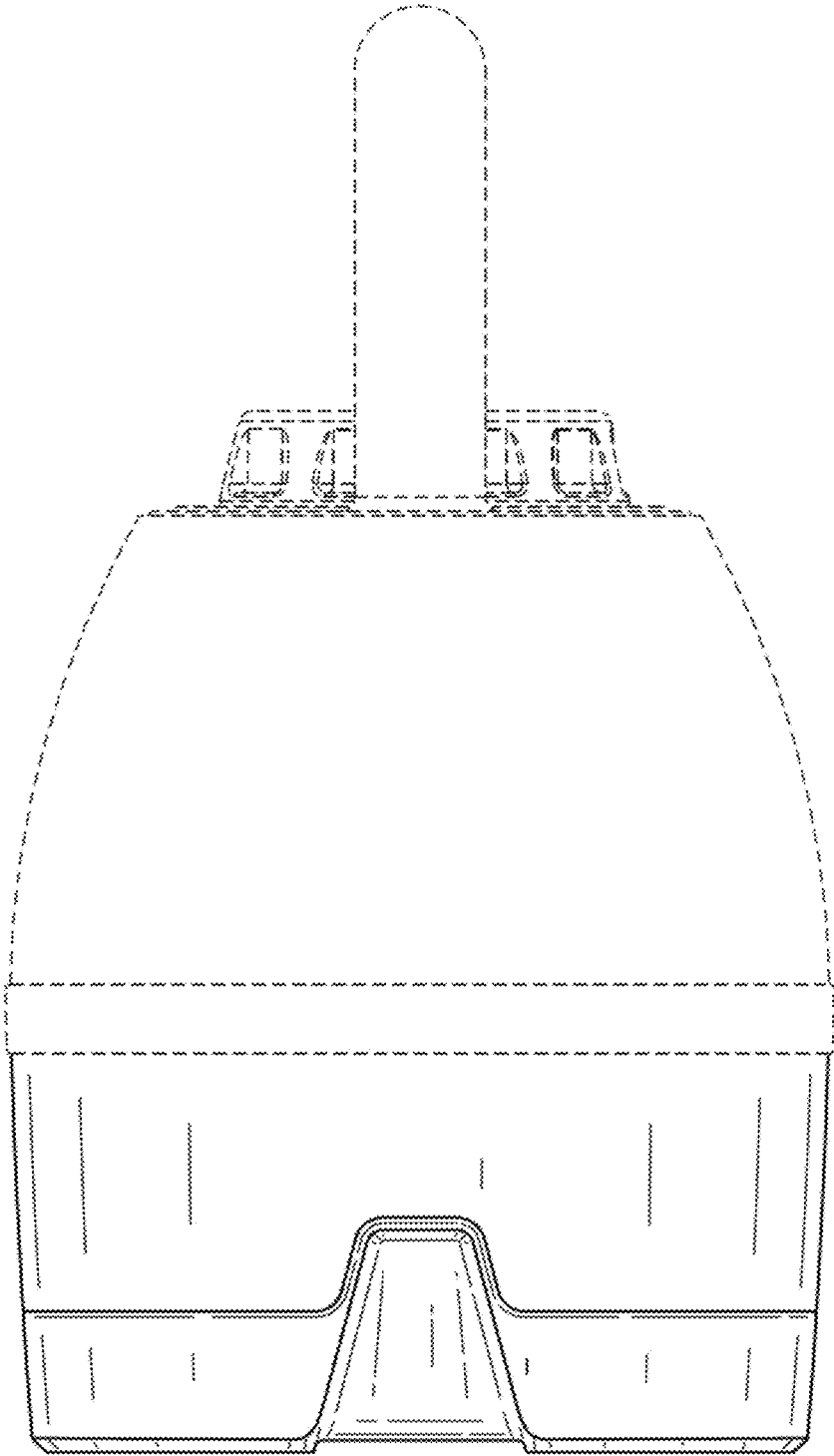


FIG. 6

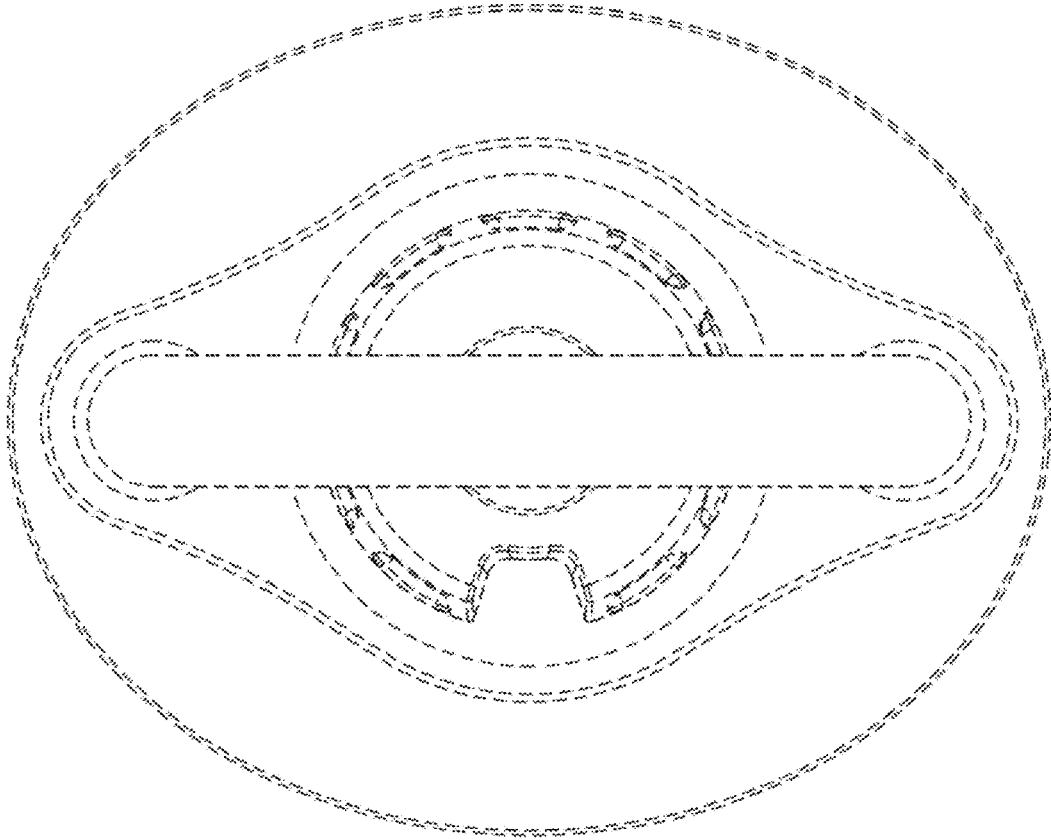


FIG. 7

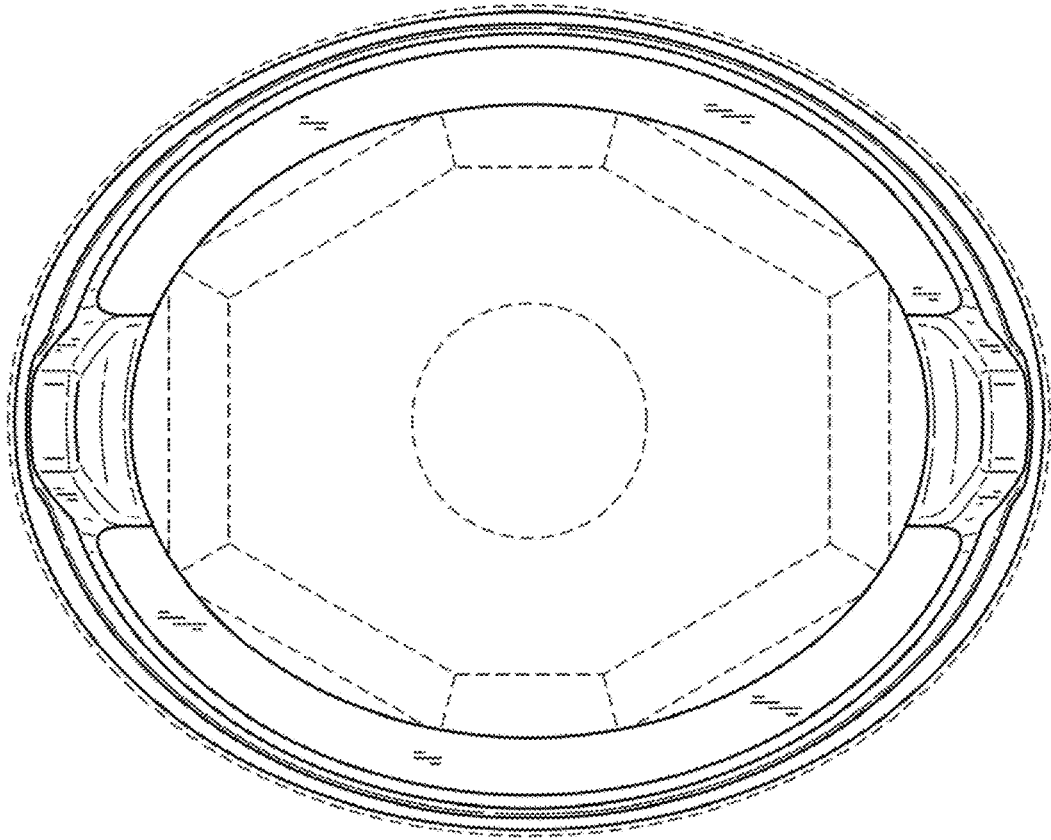


FIG. 8