



US0D1002437S

(12) **United States Design Patent**
Little et al.

(10) **Patent No.:** **US D1,002,437 S**

(45) **Date of Patent:** **** Oct. 24, 2023**

(54) **TRAILER MOUNTED SOLAR POWERED
WORK LIGHTING SYSTEM**

(71) Applicant: **SEI Logistics Ltd., Merritt (CA)**

(72) Inventors: **Eric Little, Merritt (CA); Chace
Barber, Merritt (CA)**

(73) Assignee: **SEI LOGISTICS LTD., Merritt (CA)**

(**) Term: **15 Years**

(21) Appl. No.: **29/823,129**

(22) Filed: **Jan. 14, 2022**

(51) **LOC (14) Cl.** **12-16**

(52) **U.S. Cl.**
USPC **D12/101**

(58) **Field of Classification Search**
USPC D12/19, 129, 100-106, 111-112;
D21/425, 435; D34/21-26, 12, 16-19
CPC .. B62D 35/00; B62D 33/077; B62D 33/0612;
B62D 24/04; B60P 3/10; B60P 3/1033;
B60P 3/0257; B60P 3/38; B60P 3/34;
E01F 15/14

See application file for complete search history.

(56) **References Cited**

U.S. PATENT DOCUMENTS

8,733,963 B2 5/2014 Sharpley
8,833,985 B2 9/2014 Robertson
9,810,387 B2 11/2017 Knodel
RE46,645 E * 12/2017 Oren D12/101
D830,235 S * 10/2018 Warren D12/101
D838,211 S * 1/2019 Crabb D12/101

D845,176 S * 4/2019 McElwain D12/101
D864,032 S * 10/2019 Bernard D12/101
D869,993 S * 12/2019 Sagen D12/101
D926,635 S * 8/2021 Lee D12/101
D928,665 S * 8/2021 Williams D12/101
D933,533 S * 10/2021 Etzelsberger D12/101
D938,310 S * 12/2021 Yoder D12/101
D945,932 S * 3/2022 Jungers D12/101
D949,745 S * 4/2022 Bradshaw D12/101

FOREIGN PATENT DOCUMENTS

WO WO2010084212 A1 7/2010

* cited by examiner

Primary Examiner — Katrina A Betton

(57) **CLAIM**

The ornamental design for a trailer mounted solar powered work lighting system, as shown and described.

DESCRIPTION

FIG. 1 is a top front perspective view of a trailer mounted solar powered work lighting system showing my new design;

FIG. 2 is a front elevational view thereof;

FIG. 3 is a rear elevational view thereof;

FIG. 4 is a left elevational view thereof;

FIG. 5 is a right elevational view thereof;

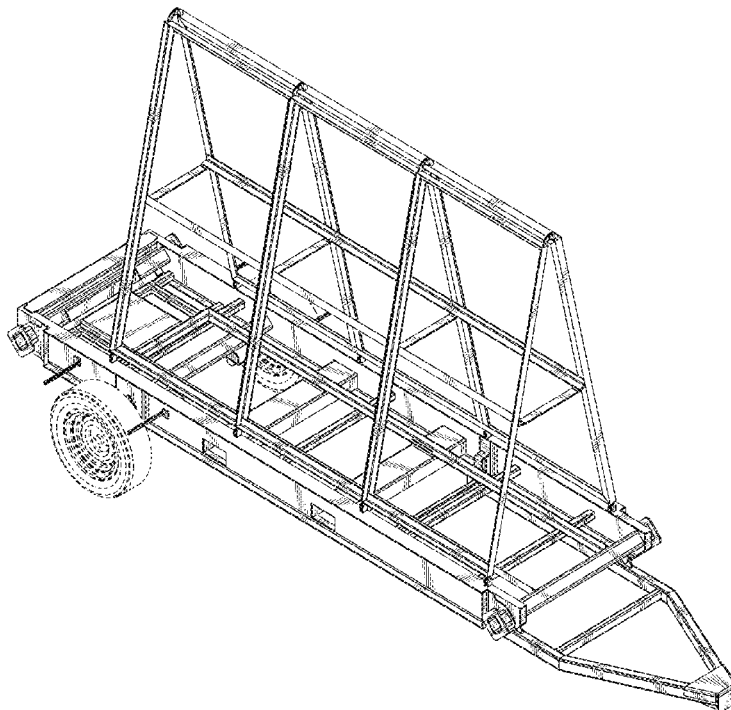
FIG. 6 is a bottom plan view thereof;

FIG. 7 is a top plan view thereof; and,

FIG. 8 is a bottom front perspective view thereof.

The broken line showing trailer wheels is included for the purpose of illustrating environmental structure and forms no part of the claimed design.

1 Claim, 8 Drawing Sheets



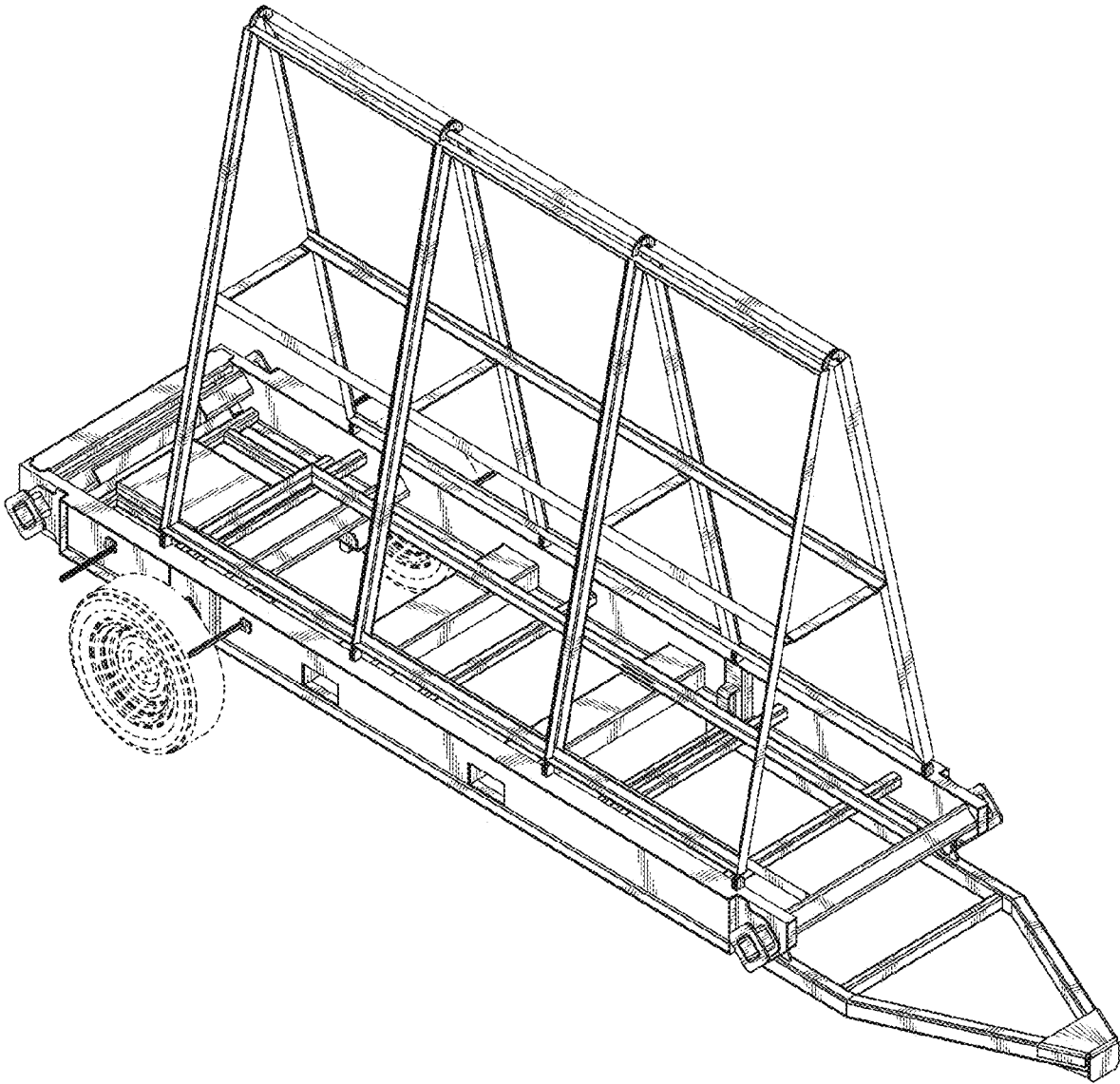


FIG. 1

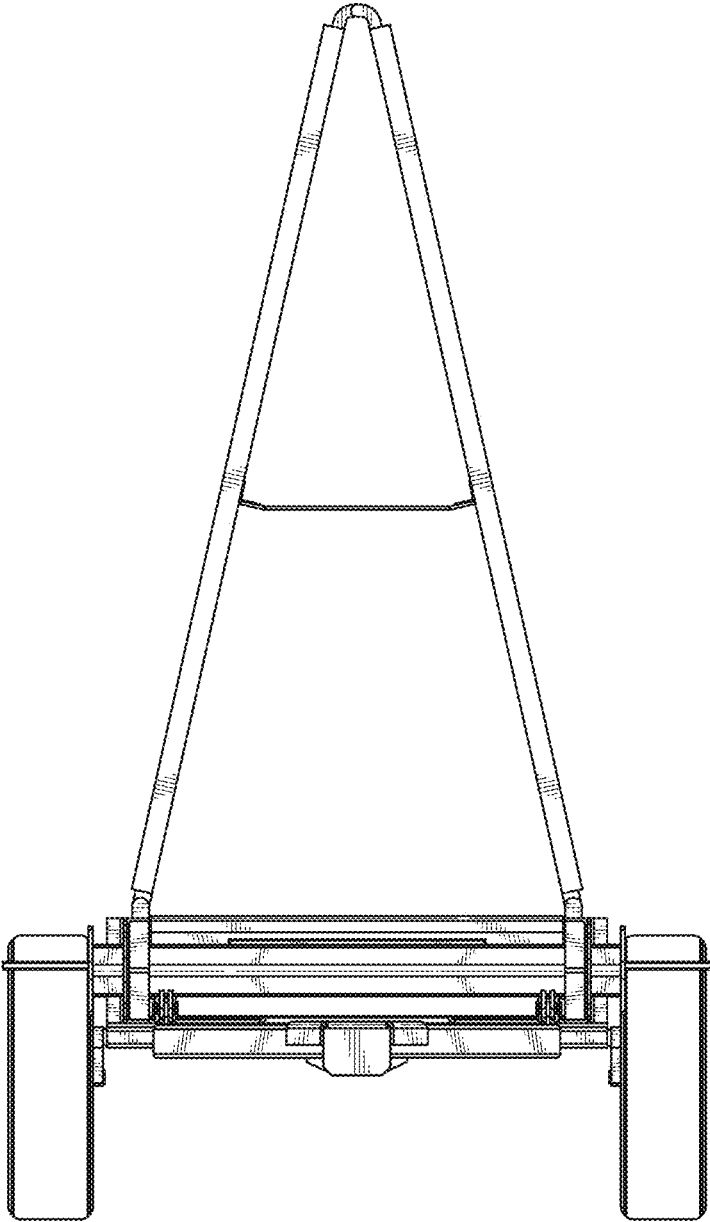


FIG. 2

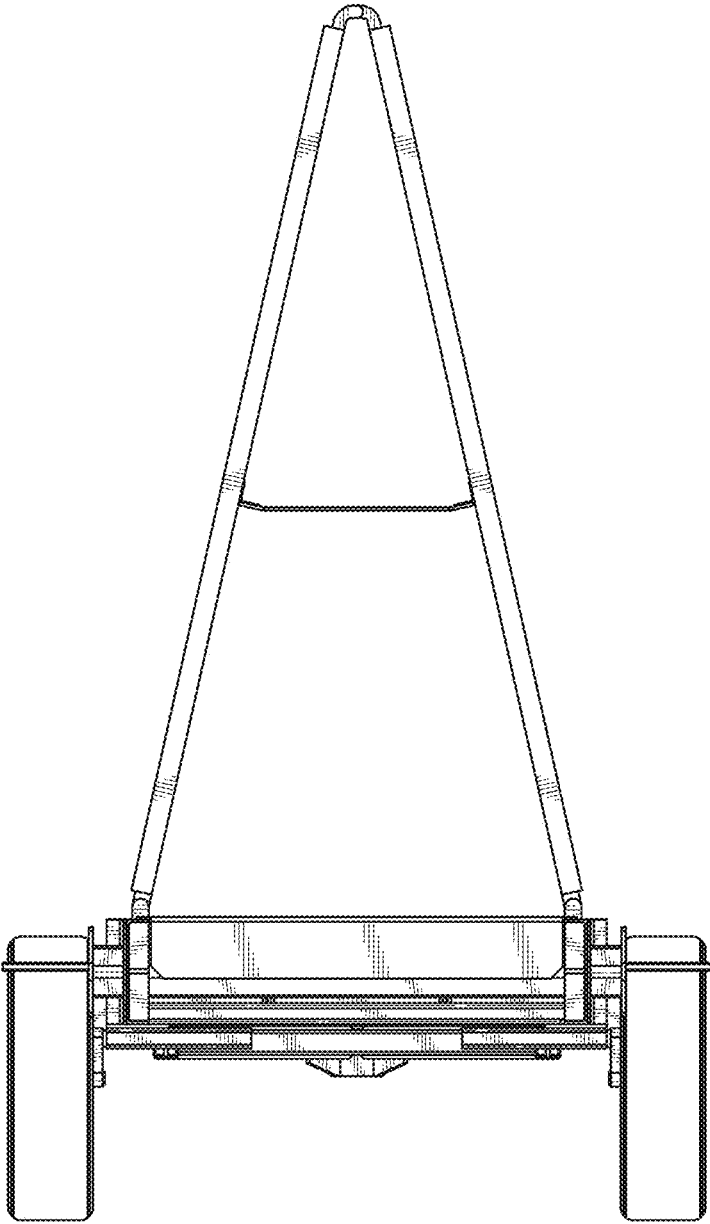


FIG. 3

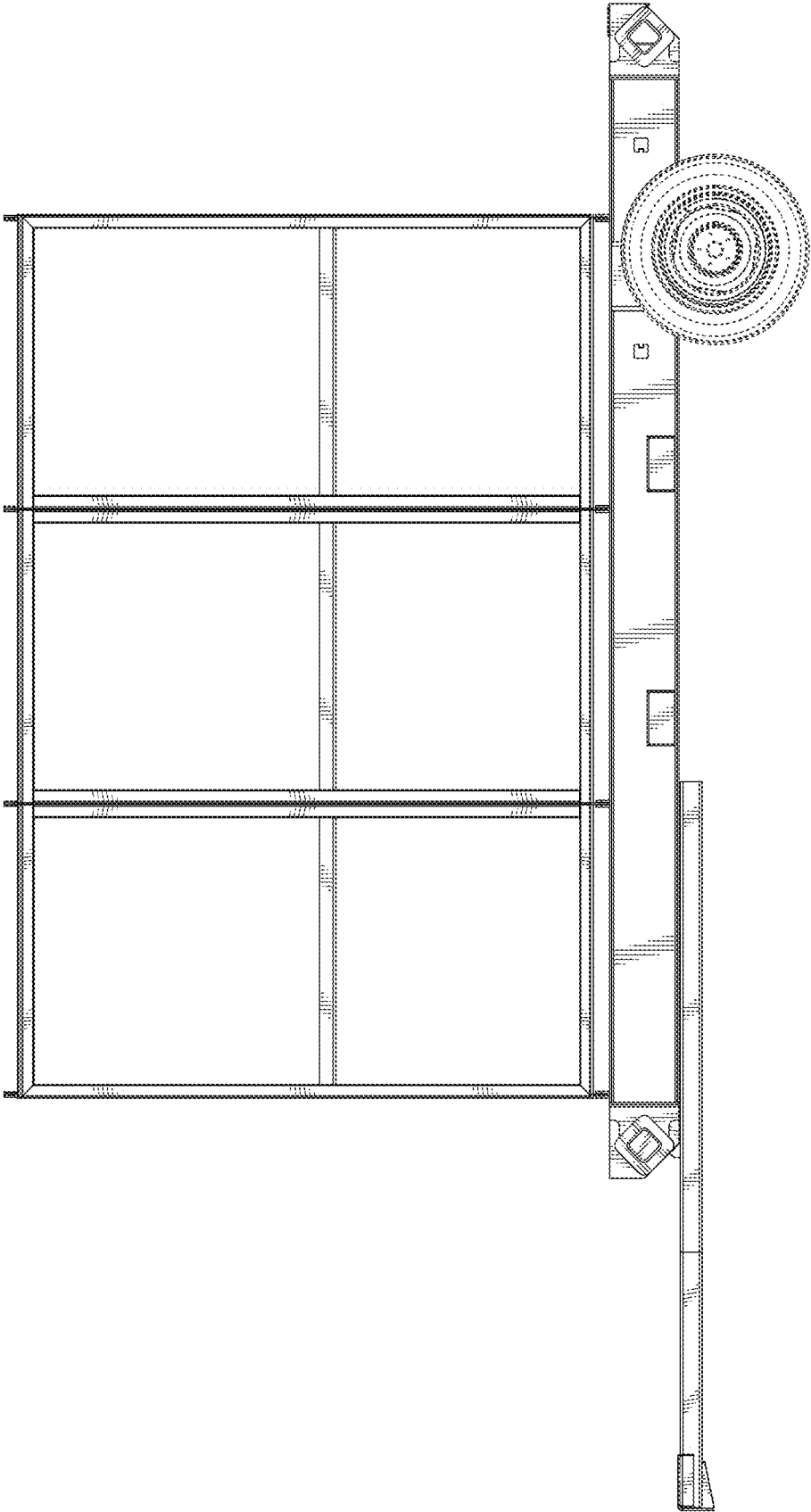


FIG. 4

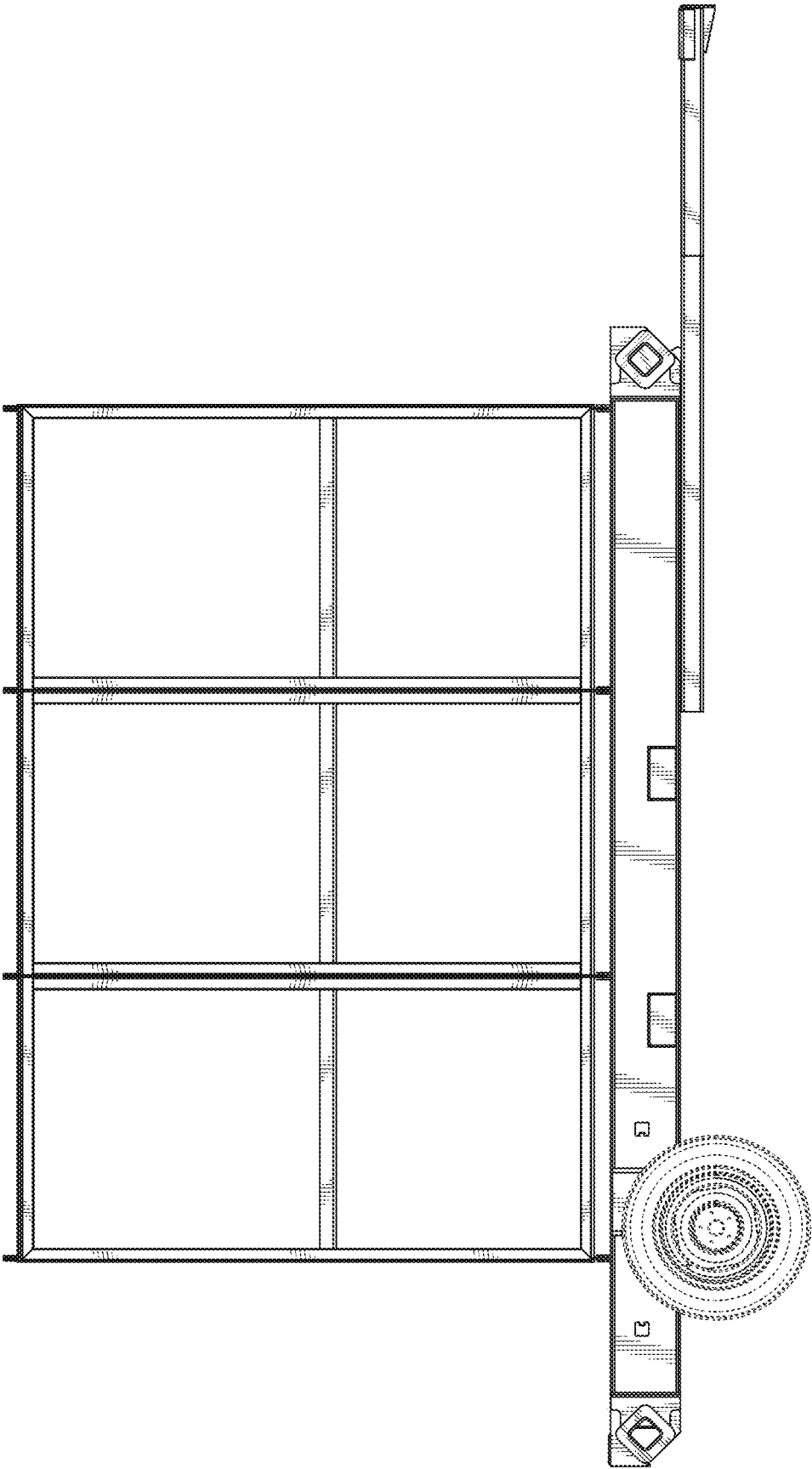


FIG. 5

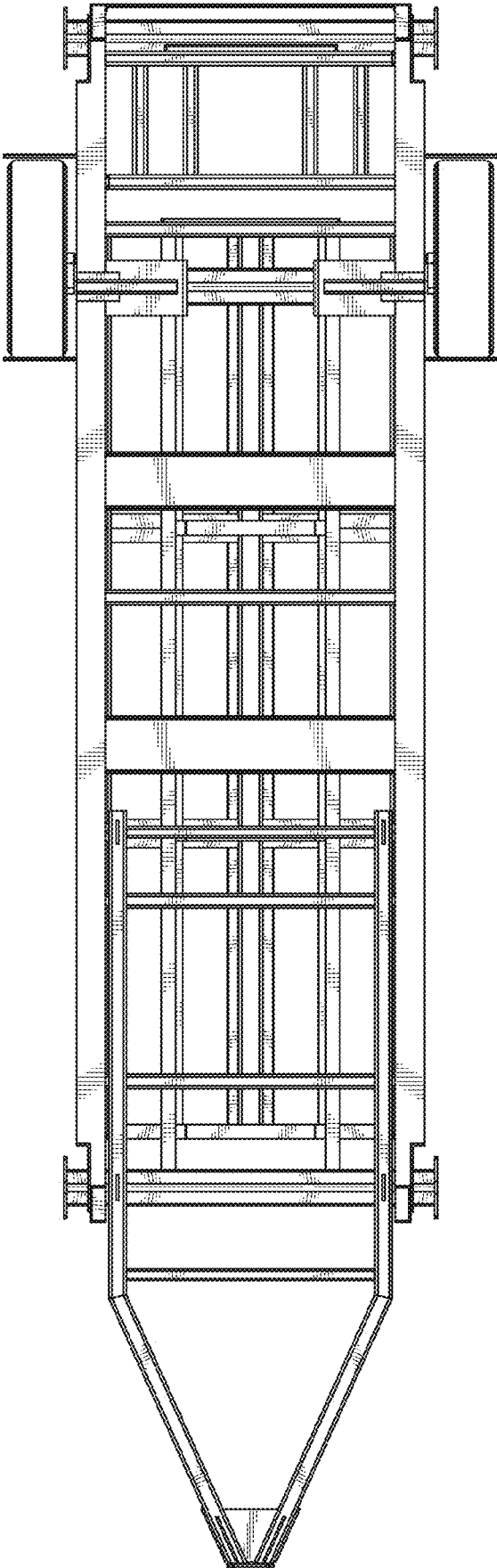


FIG. 6

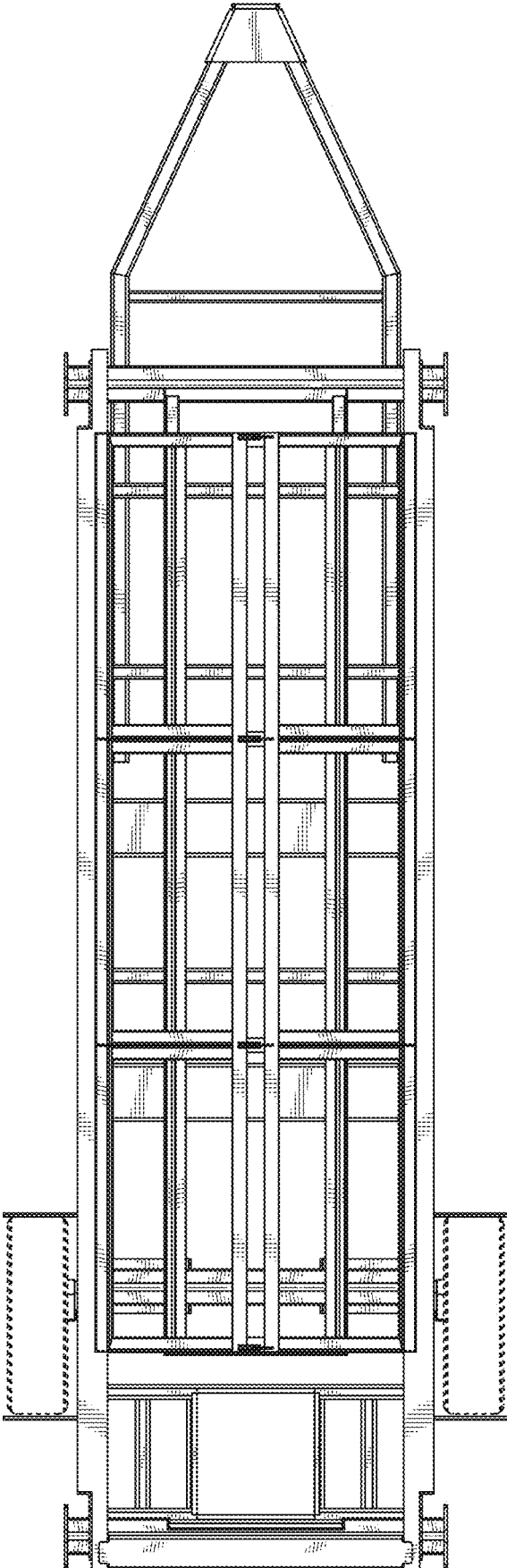


FIG. 7

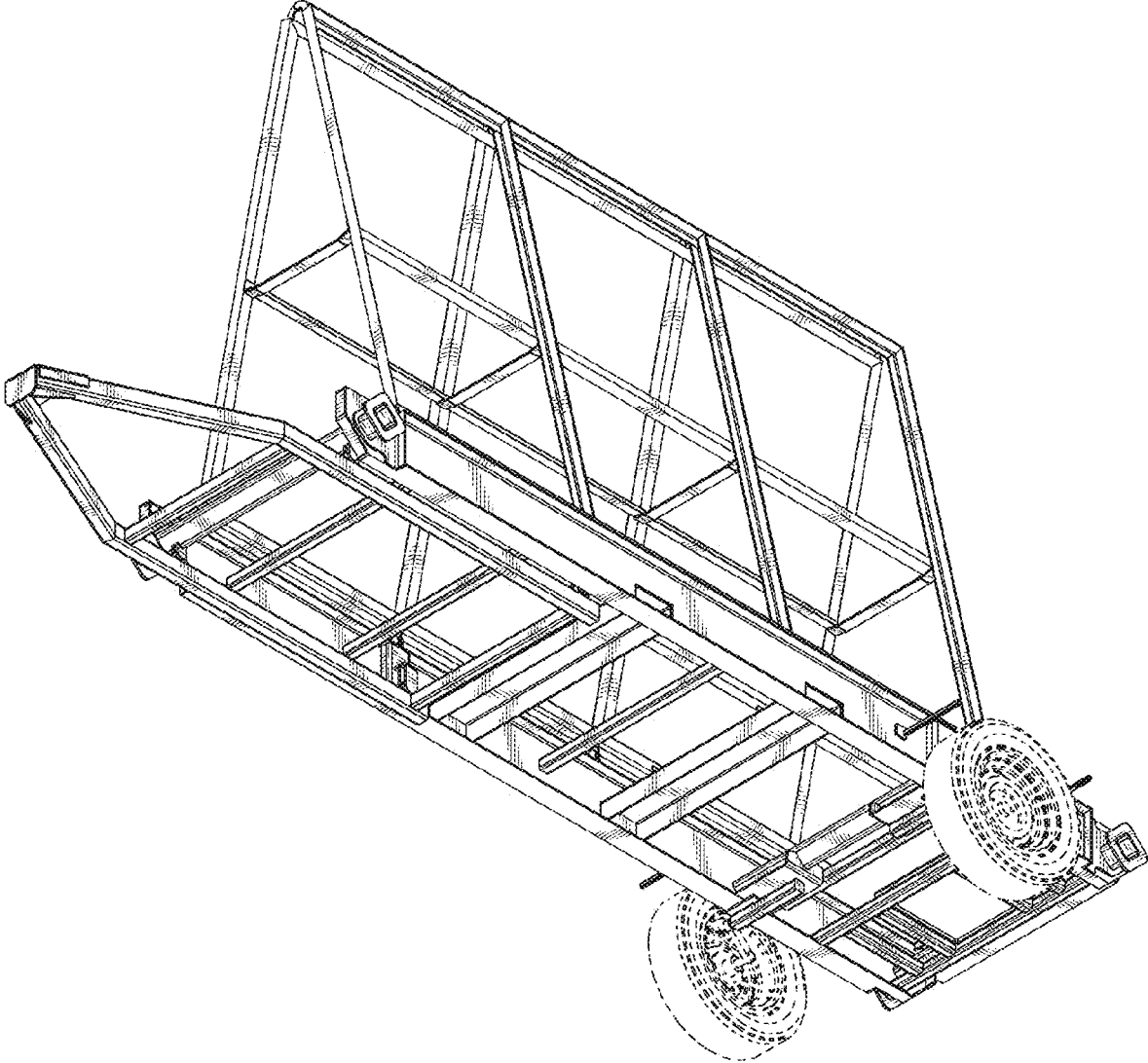


FIG. 8