



US00D428677S

# United States Patent [19]

[11] Patent Number: **Des. 428,677**

Saunders et al.

[45] Date of Patent: **\*\* Jul. 25, 2000**

[54] **UPPER HANDLE PORTION OF CARPET EXTRACTOR**

[75] Inventors: **Craig M. Saunders**, Rocky River;  
**Jeffrey M. Kalman**, Cleveland Heights;  
**Terry L. Zahuranec**, North Olmsted;  
**Robert A. Salo**, Mentor; **Richard C. Farone**, Willoughby; **Laurie M. Shumaker**, Talmadge, all of Ohio

D. 387,518 12/1997 Medema ..... D32/22  
D. 398,098 9/1998 Mehaffey et al. .... D32/22  
D. 403,477 12/1998 Tsujimoto et al. .... D32/22  
D. 403,482 12/1998 Essex et al. .  
D. 406,928 3/1999 Rowley et al. .  
D. 413,187 8/1999 Wang et al. .... D32/22  
D. 415,324 10/1999 Wang et al. .... D32/22  
5,524,321 6/1996 Weaver et al. .  
5,784,755 7/1998 Karr et al. .

[73] Assignee: **Royal Appliance Mfg. Co.**, Cleveland, Ohio

*Primary Examiner*—Ruth McInroy  
*Attorney, Agent, or Firm*—Fay, Sharpe, Fagan, Minnich & McKee, LLP

[\*\*] Term: **14 Years**

### [57] CLAIM

[21] Appl. No.: **29/098,809**

The ornamental design for an upper handle portion of carpet extractor, as shown and described.

[22] Filed: **Jan. 6, 1999**

### DESCRIPTION

[51] **LOC (7) Cl.** ..... **15-05**  
[52] **U.S. Cl.** ..... **D32/34**  
[58] **Field of Search** ..... D32/15–16, 19–22,  
D32/25, 31, 34; D15/9.1, 18; D8/8, 67–69;  
15/320, 321, 331, 332, 334, 335, 377, 410,  
49.1, 98, 50.1; 439/191; 285/7

FIG. 1 is a perspective view of the upper handle portion of a carpet extractor showing our new design;  
FIG. 2 is a front elevational view thereof;  
FIG. 3 is a rear elevational view thereof;  
FIG. 4 is a left side elevational view thereof;  
FIG. 5 is a right side elevational view thereof;  
FIG. 6 is a top plan view thereof; and,  
FIG. 7 is a bottom plan view thereof.  
The parts shown in broken lines in FIGS. 1–7 are shown for illustrative purposes only and form no part of the claimed design.

### [56] References Cited

#### U.S. PATENT DOCUMENTS

D. 347,500 5/1994 Abe et al. .... D32/22  
D. 358,241 5/1995 Bradd .  
D. 365,179 12/1995 Bradd ..... D32/31

**1 Claim, 5 Drawing Sheets**

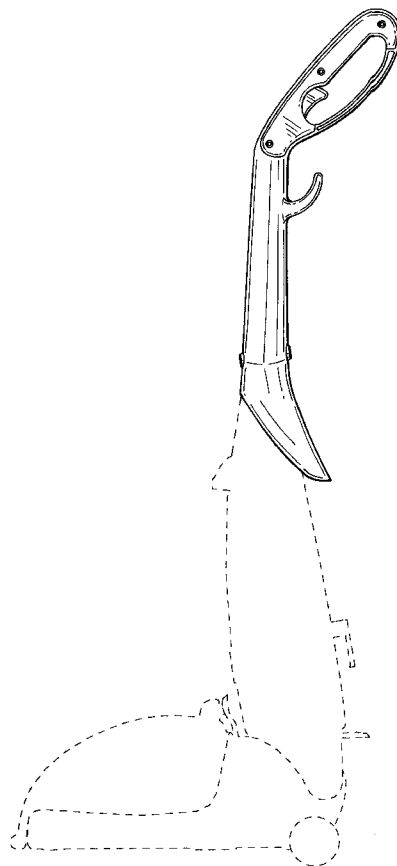
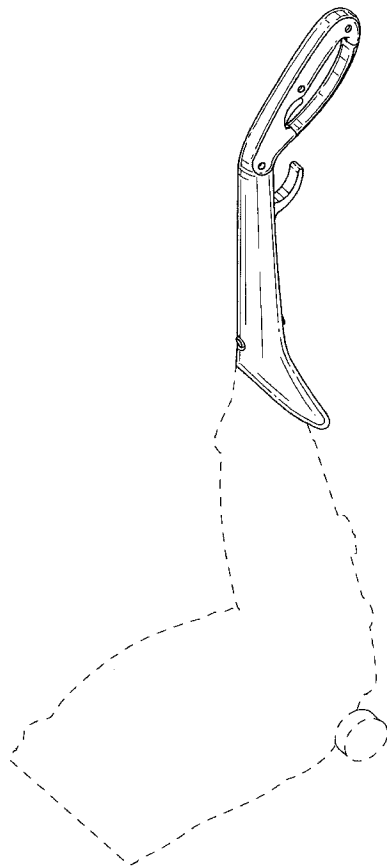


FIG. 1

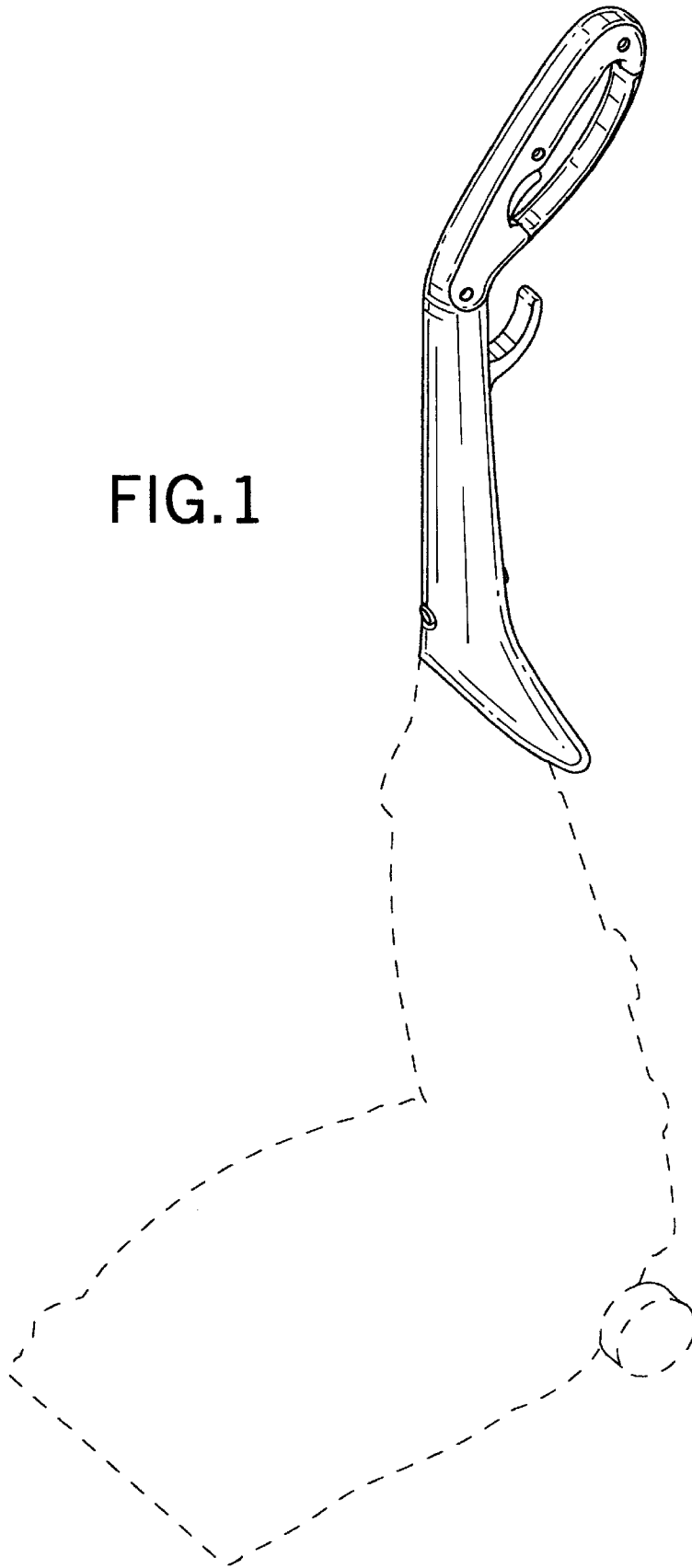


FIG.2

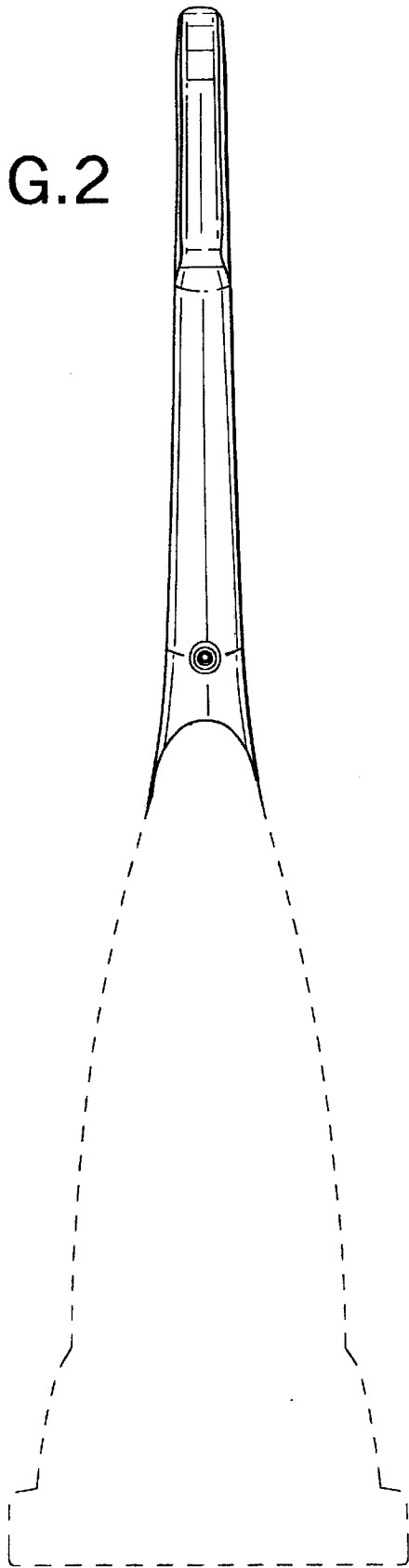
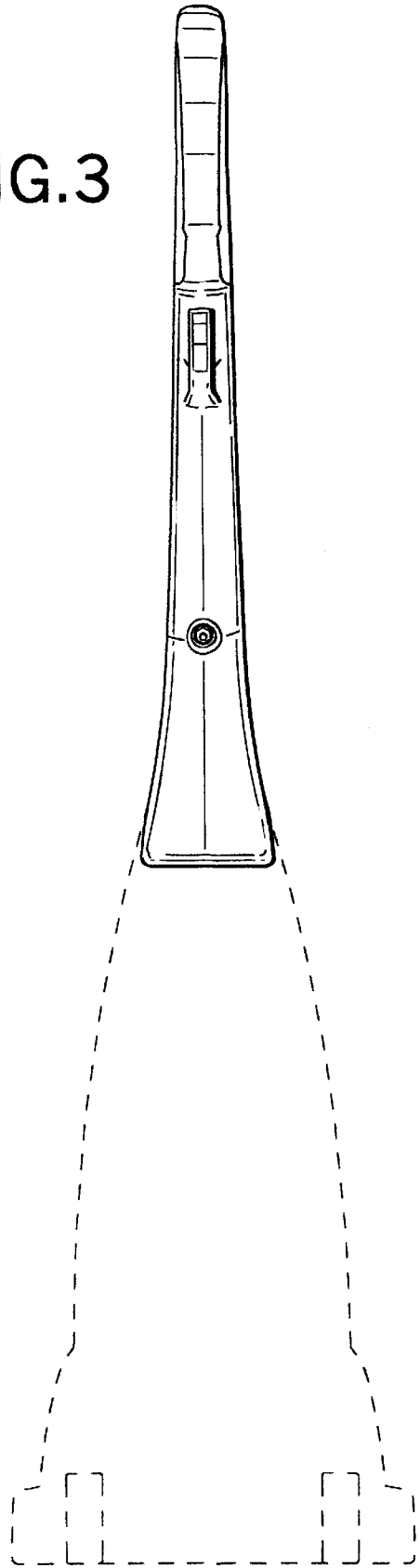


FIG.3



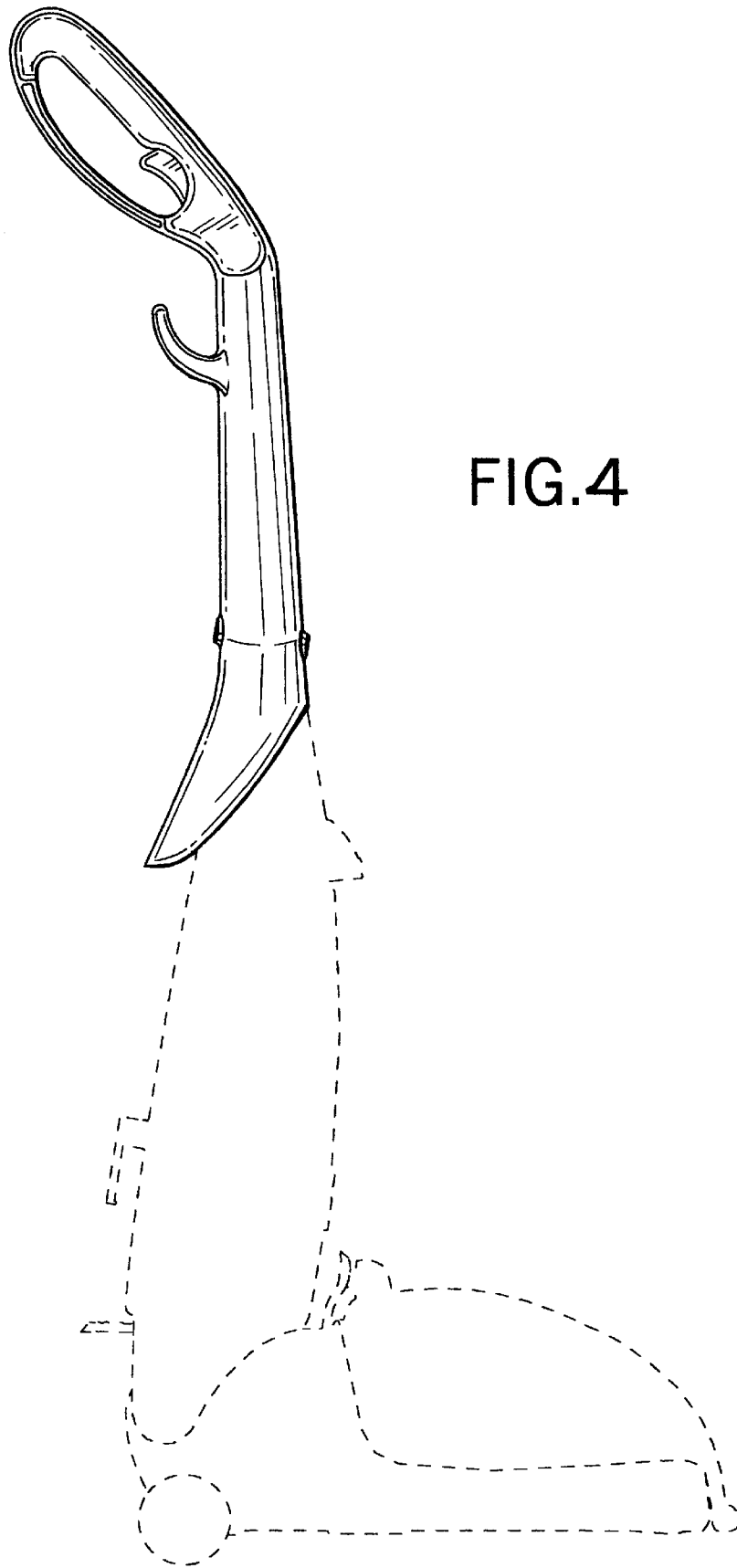
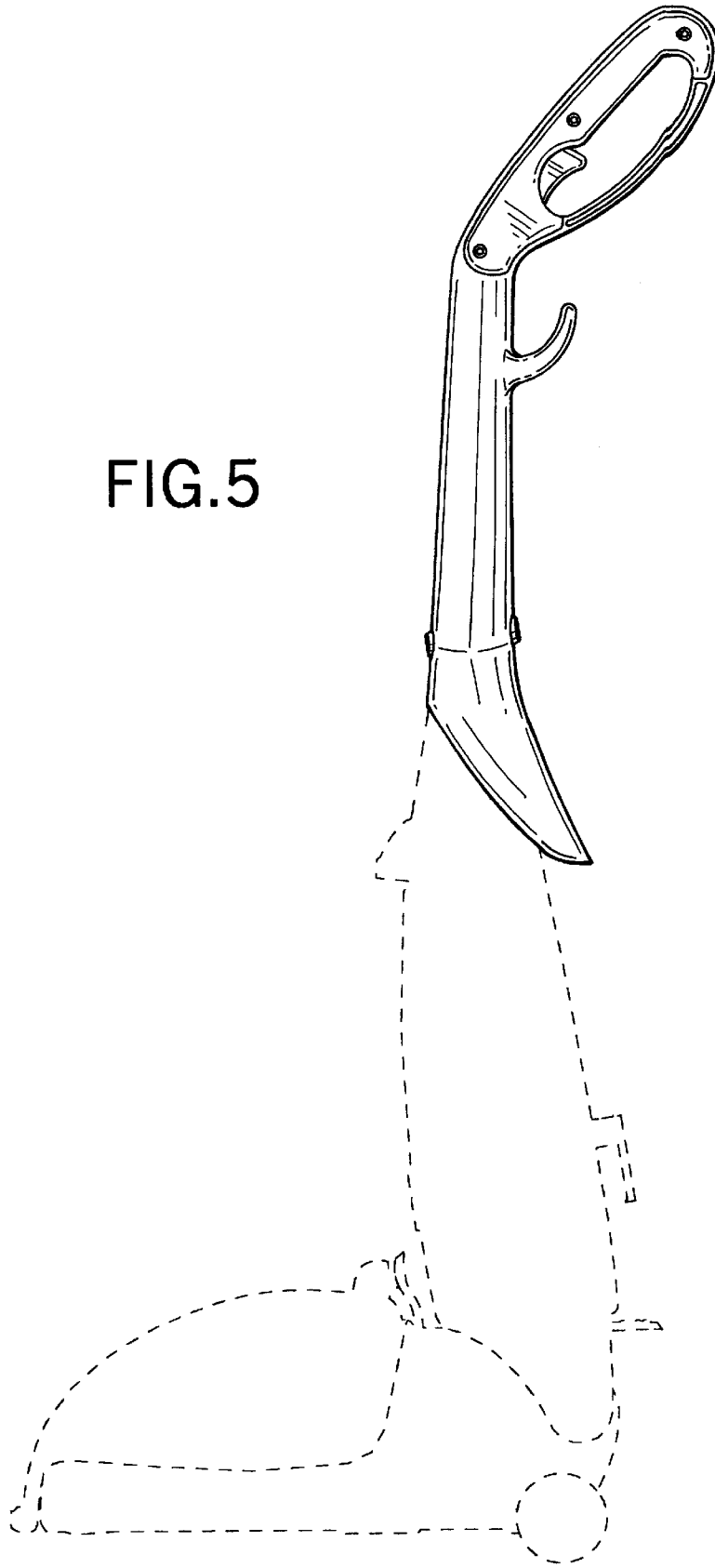


FIG. 4

FIG.5



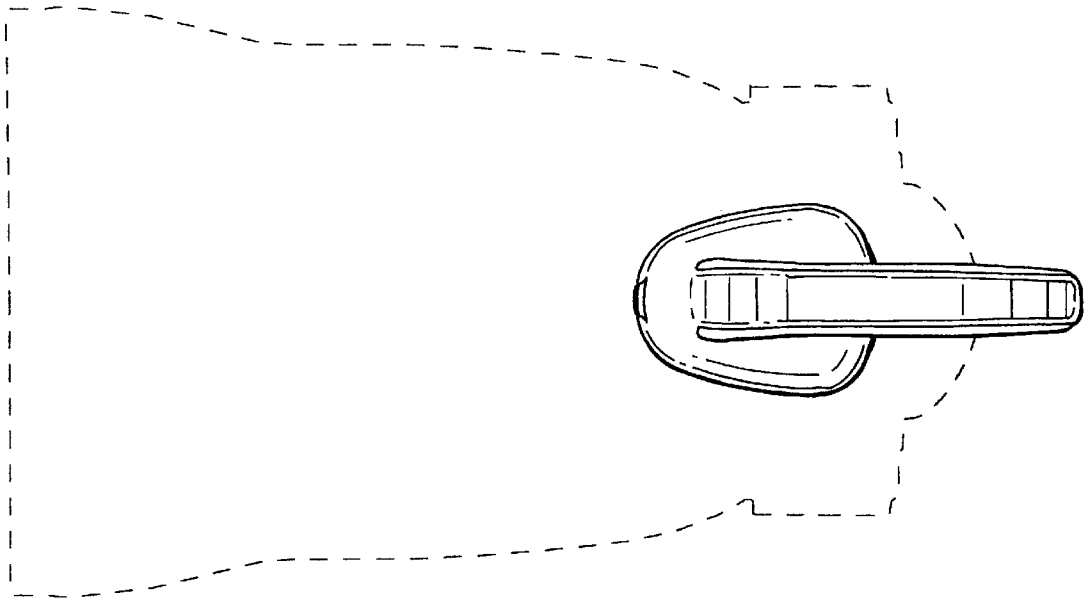


FIG. 6

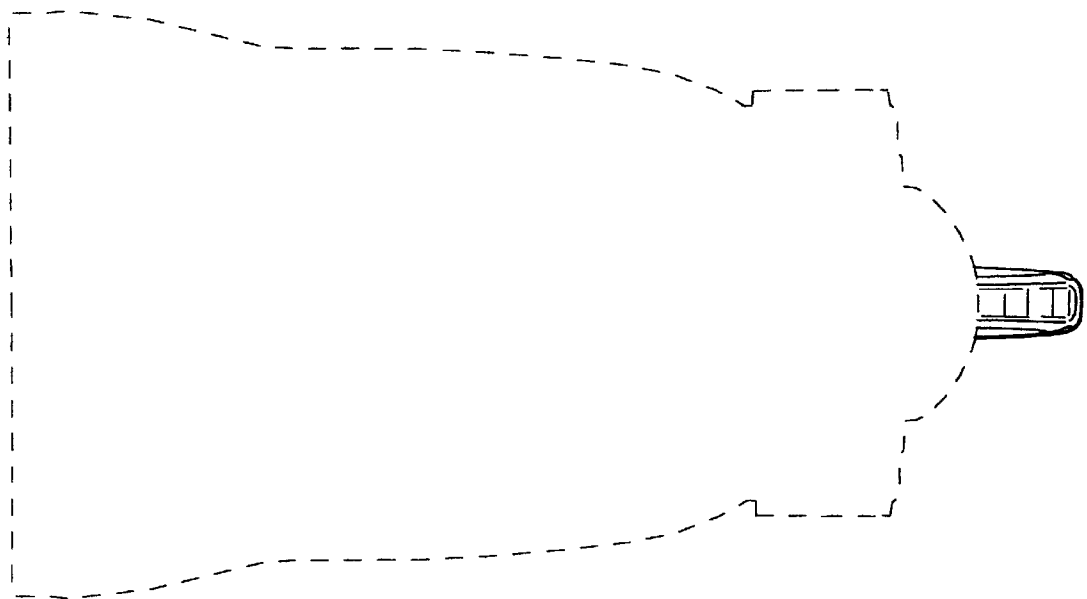


FIG. 7