



- (51) International Patent Classification:
B65D 81/32 (2006.01) *B65D 65/46* (2006.01)
B65D 51/28 (2006.01)
- (21) International Application Number:
PCT/US2017/062995
- (22) International Filing Date:
22 November 2017 (22.11.2017)
- (25) Filing Language: English
- (26) Publication Language: English
- (30) Priority Data:
15/362,403 28 November 2016 (28.11.2016) US
- (71) Applicant: **UNITED STATES GYPSUM COMPANY**
[US/US]; 550 West Adams Street, Chicago, IL 60661-3676 (US).
- (72) Inventors: **SHELDON, Joshua D.**; 4740 N. Hamilton Avenue, Unit 01, Chicago, Illinois 60625 (US). **BERNICKE-GRUSSING, Nancy L.**; 12120 259th Avenue, Trevor, Wisconsin 53179 (US). **GRUSSING, Jeffrey F.**; 12120 259th Avenue, Trevor, Wisconsin 53179 (US). **IMMORDINO, Salvatore C.**; 12340 259th Avenue, Trevor, Wisconsin 53179 (US). **KINCAID, Tyler**; 3169 N. Broadway Street,

Unit 2n, Chicago, Illinois 60657 (US). **MILLER, Charles**; 5018 Brorson Lane, Johnsburg, Illinois 60051 (US).

(74) Agent: **CRAIN, Lawrence** et al.; Greer, Burns & Crain, Ltd., 300 S. Wacker Dr., Suite 2500, Chicago, Illinois 60606 (US).

(81) Designated States (unless otherwise indicated, for every kind of national protection available): AE, AG, AL, AM, AO, AT, AU, AZ, BA, BB, BG, BH, BN, BR, BW, BY, BZ, CA, CH, CL, CN, CO, CR, CU, CZ, DE, DJ, DK, DM, DO, DZ, EC, EE, EG, ES, FI, GB, GD, GE, GH, GM, GT, HN, HR, HU, ID, IL, IN, IR, IS, JO, JP, KE, KG, KH, KN, KP, KR, KW, KZ, LA, LC, LK, LR, LS, LU, LY, MA, MD, ME, MG, MK, MN, MW, MX, MY, MZ, NA, NG, NI, NO, NZ, OM, PA, PE, PG, PH, PL, PT, QA, RO, RS, RU, RW, SA, SC, SD, SE, SG, SK, SL, SM, ST, SV, SY, TH, TJ, TM, TN, TR, TT, TZ, UA, UG, US, UZ, VC, VN, ZA, ZM, ZW.

(84) Designated States (unless otherwise indicated, for every kind of regional protection available): ARIPO (BW, GH, GM, KE, LR, LS, MW, MZ, NA, RW, SD, SL, ST, SZ, TZ, UG, ZM, ZW), Eurasian (AM, AZ, BY, KG, KZ, RU, TJ, TM), European (AL, AT, BE, BG, CH, CY, CZ, DE, DK, EE, ES, FI, FR, GB, GR, HR, HU, IE, IS, IT, LT, LU, LV, MC, MK, MT, NL, NO, PL, PT, RO, RS, SE, SI, SK, SM,

(54) Title: PACKAGE FOR DELIVERY OF ADDITIVES FOR POWDERED COMPOSITIONS

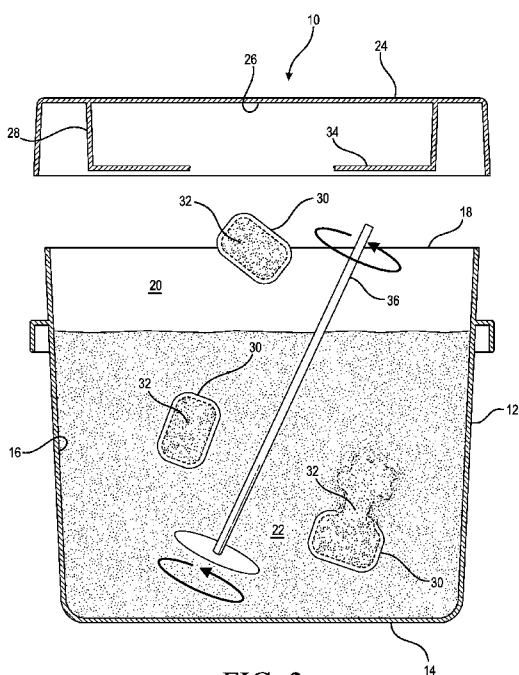


FIG. 3

(57) Abstract: A joint compound system (10) is provided including a main container (12) of base joint compound; and an additive container (28) isolated from the base joint compound and housing at least one and preferably multiple additive packages (30) constructed and arranged so that the additive packages are protected from exposure to moisture prior to their ultimate mixing with the base joint compound.

WO 2018/098263 A1

TR), OAPI (BF, BJ, CF, CG, CI, CM, GA, GN, GQ, GW,
KM, ML, MR, NE, SN, TD, TG).

Declarations under Rule 4.17:

- *as to applicant's entitlement to apply for and be granted a patent (Rule 4.17(ii))*
- *as to the applicant's entitlement to claim the priority of the earlier application (Rule 4.17(iii))*

Published:

- *with international search report (Art. 21(3))*

PACKAGE FOR DELIVERY OF
ADDITIVES FOR POWDERED COMPOSITIONS

BACKGROUND

The present invention relates generally to multi-component powdered compositions, and more specifically to packaged additives for
5 settable powder compositions such as, but not limited to wallboard joint compound.

Walls and ceilings made from gypsum wallboard are conventionally constructed by attaching the wallboard panels to framing members or studs, and filling and coating the joints between the panels with a
10 specially formulated paste composition called a joint compound. Joint compounds may be supplied as powdered compositions (to be mixed with water at the jobsite) or may be premixed with water at the factory to yield a ready mixed (or paste) joint compound. A paste joint compound (Taping grade) is placed within and over the joint formed by the abutting edges of the
15 wallboard panels, and a paper reinforcing tape is embedded in the joint with the joint compound which is then permitted to dry. Alternately, the reinforcing tape may be of non-cellulose composition, but of a size and shape similar to strips of paper joint tape. Alternately, the reinforcing tape may be of a fiberglass weave requiring the use of chemically setting type joint compounds.
20 When the joint compound is dry, a second joint compound (Topping or Finishing grade) is applied over the joint, and it too is permitted to dry. It is usually necessary for a third application of a joint compound and, after the third coat is dry, it may be lightly sanded and may be conventionally finished with a decorative material (paint, texture or wallpaper) then applied to the wall.
25 All three coats of joint compound may alternately be applied with an All Purpose grade of joint compound.

There are several categories of joint compounds. Drying type compounds harden through the evaporation of water, whereas setting type

joint compounds chemically react with water during the curing process.

Setting type joint compounds typically use calcium sulfate hemihydrate, also known as stucco or plaster of Paris, as a base. When water is added to the setting type powder, it reacts with the calcium sulfate hemihydrate via a

5 hydration reaction to form an interlocking matrix of calcium sulfate dihydrate crystals. The interlocking crystal matrix gives the compound increased

strength. The benefit of a setting type joint compound over a drying type is the overall strength of the finished joint, resulting in less shrinking and cracking, as well as an independence from having to wait for the joint

10 compound to be completely dry prior to further finishing. Drying type joint compounds have the advantage of ease of use, as they typically come in a ready mixed form, with water being added and mixed by the manufacturer. A third type of joint compound combines the setting action of a calcium sulfate hemihydrate based compound with the ease of use of a ready mixed

15 compound.

Ready mixed joint compound is typically supplied to the customer in either cardboard cartons or plastic pails in units having volumes of 3.5 to 4.5 gallons (13.25-17.03L). Joint compound is supplied at a viscosity typically higher than what is applied at the jobsite. This allows the contractor

20 to mix in additional water using a power drill and mixing paddle to achieve the desired application viscosity.

Ready Mix joint compound production is typically accomplished by blending the wet and dry ingredients in a mixer until smooth, adjusting the viscosity to a desired level through water addition, then filling and sealing

25 containers to be shipped to customers. This process can be disrupted by use of ingredients which thicken very rapidly and take longer periods of time to fully wet out and drop in viscosity, leaving the combined wet and dry ingredients in the mixer competing for water through the typical mixing cycle and at a higher than desired viscosity. The above process results in

30 mechanical limitations and problems such as binding of the wet mixer and overloading of the mixer motor. The higher than desired viscosity at the completion of the mixing cycle affects the ease of pumping and moving the material out of the mixing system and through the packaging line and also interferes with the lidding and closing of the container.

It is known to provide selective performance enhancing additives to the joint compound mixture during formulation at the jobsite to enhance performance characteristics. In some cases, the set or dry time is accelerated, in others retarded. Also, viscosity and/ or dust generation during sanding are characteristics that are influenced by additives to the mixture. Thus, there are mechanical limitations on the types of raw materials that can be used within a typical wet mixing system for manufacturing ready mix. Depending on the particular product requirements, including long pre-use shelf life, fast setting, low viscosity of application and others, several options have been proposed to provide joint compounds with separated additives that enable the user to obtain enhanced or more desirable joint compound performance characteristics when the mixture is finalized just prior to application.

US Patent No. 6,476,099, incorporated by reference, discloses the addition of surfactant additives to joint compound to generate performance with improved cracking, improved shrinkage and reduction of surface finish defects after application to wallboard surfaces. US Patent Nos. 6,228,163 and 5,746,822 incorporated by reference, disclose joint compounds formulated with a base joint compound that is relatively inert until an extra additive is provided, functionally serving as an activator.

US Patent No. 8,822,566, incorporated by reference, discloses providing a nonhomogeneous formulation of an additive with a ready mix base joint compound for ultimate mixing by the user on the jobsite. There is an ongoing need for providing additives in a format that enables the user to adjust the operational characteristics of the joint compound to suit the particular situation.

SUMMARY

The above-identified need is met with the present additive packaging system, including providing separately packaged additives for use with a base joint compound or other powder or settable composition in a main container, so that the user can adjust the properties of the joint compound or desired composition during mixing. In the preferred embodiment, small flexible packages in the form of a tear pouch or stick

pack contain designated amounts of additives for drywall finishing products that allows the user to add an additive to achieve a desirable trait or characteristic in the resulting joint compound. This packaging allows for pre-portioned, small amounts of additives that can be easily distributed to a consumer that allows them to add the additive to a drywall finishing product such as a joint compound, drywall patching compound, plaster, etc. In order to achieve any desirable trait. The preferred additives provided in the present package include, but are not limited to tint, de-dusting agents, binders, pigments, adhesion promoters, activators, accelerators, retarders, thickeners, and the like, as are known in the art.

In one embodiment, the individual additive packages are water soluble, so that upon the user dropping the package into the main container of base joint compound, the package dissolves and becomes part of the mixture. It is also contemplated that a separate package is provided containing a complete formulated joint compound in powdered formulation. A preferred material for the package is water soluble polyvinyl alcohol; however other water soluble plastics are contemplated, provided that they are completely soluble in water at room temperature. The state of the packaged additive may be liquid, solid or powder.

Another feature of the present system is that the additives are provided in relatively small volume doses for users desiring small batches of joint compound for use in small wall repair jobs or the like. Still another feature of the present system is that multiple, relatively small volume packages of the same additive are also contemplated. For example, in the case of an accelerator, for a given batch size of joint compound, the user adds multiple packages of the accelerator for obtaining relatively faster setting of the completed, mixed joint compound.

The present system includes a main container of base joint compound, which is either powder or ready mix. In addition, a separate container houses at least one and preferably multiple water soluble additive packages so that the additive packages are protected from exposure to moisture prior to their ultimate mixing. Also included in the present system is a flexible package containing a supply of additive.

More specifically, a joint compound system is provided, including
a main container of base joint compound; and an additive container isolated
from said base joint compound and housing at least one and preferably
5 multiple additive packages constructed and arranged so that the additive
packages are protected from exposure to moisture prior to their ultimate
mixing with said base joint compound. In one embodiment, the base joint
compound is either powder or ready mix. In another embodiment, the main
container has a removable lid, and said additive container is located on said
10 lid, and further the additive container is located on an underside of said lid.
Alternately, the additive container is provided with a frangible wall.

In an embodiment, the additive packages are enclosed in water
soluble material, preferably polyvinyl alcohol. Also, the additive is preferably
taken from the group consisting of retarders, accelerators, activators,
15 pigments, adhesion promoters and dust reducers. In the latter embodiment,
the at least one additive package is a plurality of packages, each said
package containing one of the same or different additives as the other said
packages in said plurality.

In an embodiment, the additive packages contain additive in the range of 5 to
20 grams, and more preferably 10 grams of additive.

In another embodiment, a joint compound system is provided,
20 including a main container of base joint compound; a separate container
distinct from said main container and housing at least one and
preferably multiple water soluble additive packages constructed and
arranged so that the additive packages are protected from exposure to
moisture prior to their ultimate mixing with said base joint compound;
25 said additive packages are enclosed in water soluble polyvinyl alcohol; said
at least one additive package is a plurality of packages, each said package
containing one of the same or different additives as the other said packages in
said plurality; and said additive packages contain additive in the range of 5 to
20 grams, and more preferably 10 grams of additive.

30

BRIEF DESCRIPTION OF THE DRAWINGS

FIG. 1 is a vertical cross-section of the present additive system;

FIG. 2 is an exploded vertical cross-section of the present system, showing additive packages being added to a main joint compound container;

FIG. 3 is an exploded vertical cross-section of the present system, showing the additive packages being mixed into the joint compound;

FIG. 4 is a vertical cross-section of an alternate embodiment of the present additive system using a separate container for the additive packages;

FIG. 5 is a vertical cross section of the embodiment of FIG. 4 showing the additive packages being mixed into the main joint compound container; and

FIG. 6 is a flexible package suitable for use with the present system.

DETAILED DESCRIPTION

Referring to FIGs. 1-3, the present water soluble additive system is shown, generally designated 10 and includes separately packaged additives for use with a base joint compound or other powder or settable composition in a main container, so that the user can adjust the properties of the joint compound or desired composition during mixing. More specifically, a main container 12 is typically a plastic bucket or tub of the type used to package ready mix wallboard joint compound, and includes a bottom 14, an annular sidewall 16 and an upper lip 18, all integrally formed, as by being made of molded plastic, and combining to define an internal chamber 20. Other materials are contemplated for the container 12, including but not limited to metal and cardboard. A supply of ready mix joint compound 22 substantially fills the internal chamber 20. While in the preferred embodiment, the base joint compound 22 is the ready mix type, it is also contemplated that powder or setting type joint compound is suitable.

The internal chamber 20 is covered by a removable container lid 24 that engages the upper lip 18 and latches closed upon the main container 12 using plastic clips or connectors (not shown) on the exterior of the container as are well known in the art. A feature of the present system 10 is that an underside 26 of the container lid 24 is provided with a compartment or additive container 28 constructed and arranged to retain at least one and preferably a plurality of individual additive packages 30. The additive container 28 is preferably made of the same material as the lid 24 and is configured so that prior to use, the additive packages 30 are isolated from the base joint compound 22, as well as from the internal chamber 20, and are protected from exposure to moisture prior to the ultimate mixing of the additive packages with the joint compound 22. Contemplated additives 32 suitable for separate packaging in the present water soluble additive packages 30 include, but are not limited to retarders, accelerators, activators, dust reducers, pigments, adhesion promoters such as powdered adhesive, including polyvinyl alcohol or polyvinyl acetate and the like. The state of the packaged additive 32 is contemplated to be liquid, solid or powder.

A lower wall 34 of the additive container 28 is frangible, as by scoring, perforations, having a thinner wall thickness, or the like. Thus, when the user of the joint compound 22 in the main container 12 is ready to apply the joint compound, the frangible wall 34 is easily breached by the user using a taping knife or similar tool, and once the wall is breached, the additive packages 30 drop into the joint compound 22 (FIG. 2).

In one embodiment, the additive packages 30 are water soluble, and the joint compound is the ready mix type, which means that it is a moist paste when the container 12 is opened. A preferred material for the package 30 is water soluble polyvinyl alcohol; however other water soluble plastics are contemplated, provided that they are completely soluble in water at room temperature. Once the packages 30 are dropped or placed into the joint compound 22 into the main container 12, the packages dissolve and become part of the mixture. As seen in FIG. 3, it is contemplated that a powered mixer 36 is used for completely mixing the contents. Referring now to FIG. 6, it is contemplated that the package 30 is made of water insoluble material and is

provided in at least one of a narrow rectangular shape referred to as a “stick” pack, and a relatively square or circular shaped pouch that is torn open by the user and the additive 32 mixed with the base joint compound 22.

Another feature of the present system 10 is that the additive
5 packages 30 are provided in relatively small volume doses for users desiring small batches of joint compound for use in small wall repair jobs or the like. Preferably, the additive packages 30 contain additive 32 in the range of 5 to 20 grams. More preferably, the packages 30 contain additive in the range of 10 grams.

10 In addition, it is contemplated that a complete formulated joint compound in powdered format is packaged within one of the packages 30. Such a container 30 is optionally provided in a variety of volumes, including, but not limited to 1 pound packages.

Still another feature of the present system is that multiple,
15 relatively small volume packages 30 of the same additive 32 are also contemplated. For example, in the case of an accelerator, for a given batch size of joint compound 22, the user adds multiple packages 30 of the accelerator for obtaining relatively faster setting of the completed, mixed joint compound 22.

20 Referring now to FIGs. 4 and 5, another embodiment of the present joint compound additive system 10 is generally designated 40. Components shared with the system 10 are designated with identical reference numbers. A main distinctive feature of the system 40 is that the additive packages 30 are secured within a designated additive container 42
25 which is separate and isolated from the main container 12. The additive packages 30 in the system 40 have the same characteristics as in the system 10.

In the additive container 42, the packages 30, when provided in a water soluble format, are prevented from being exposed to moisture, which
30 would cause them to prematurely dissolve and release the additive 32. As is the case with the main container 12, the additive container 42 includes a bottom 44, an annular wall 46 and an upper lip 48, all preferably integrally joined, as by being made of molded plastic. A lid 50 covers the upper lip 48

and encloses an additive cavity 52 that encloses the additive packages 30 and retains the additive 32 in inactive status until it is needed for use.

As seen in FIG. 5, once the operator needs to incorporate the additive 32 into the joint compound 22, the additive container 42 is opened and the at least one and preferably a plurality of additive packages 30 are deposited into the main container 12, where the packages 30 are dissolved and the additive 32 is mixed into the main joint compound 22. Preferably, the powered mixer 36 is used as needed. When using the water insoluble package of FIG. 6, the user tears or cuts open the package 30 and manually empties the additive 30 into the base joint compound 22, where the additive is mixed in as is known in the art.

In use, including the system 10 or the system 40, the user places a water soluble additive package 30 into the main container 12, and adds sufficient water to dissolve the package in water to mix with the packaged powder or ready mixed joint compound 22 to achieve the desired joint compound. Several of such packages 30 or pods are contemplated as being provided in the sealed container 28 or 42, thus reducing the mess and dust generated while mixing conventional powder-based, setting type joint compounds.

While a particular embodiment of the present package for delivery of additives for powdered compositions has been described herein, it will be appreciated by those skilled in the art that changes and modifications may be made thereto without departing from the invention in its broader aspects and as set forth in the following claims.

25

CLAIMS:

1. A joint compound system, comprising:
a main container of base joint compound; and
an additive container isolated from said base joint compound and
housing at least one and preferably multiple additive packages
constructed and arranged so that the additive packages are protected
from exposure to moisture prior to their ultimate mixing with said base
joint compound.
2. The system of claim 1, in which said base joint compound is
either powder or ready mix.
3. The system of claim 1, in which said main container has a
removable lid, and said additive container is located on said lid.
4. The system of claim 3, in which said additive container is
located on an underside of said lid.
5. The system of claim 3, in which said additive container is
provided with a frangible wall.
6. The system of claim 1, wherein said additive packages are
enclosed in water soluble material, preferably polyvinyl alcohol.
7. The system of claim 1, wherein said at least one additive
package is a plurality of packages, each said package containing one of the
same or different additives as the other said packages in said plurality.
8. The system of claim 1, in which said additive packages contain
additive in the range of 5 to 20 grams, and more preferably 10 grams.
9. They system of claim 1, wherein said additive package contains
a complete joint compound.

10. A joint compound system, comprising:
a main container of base joint compound;
a separate container distinct from said main container and housing at least one and preferably multiple water soluble additive packages
5 constructed and arranged so that the additive packages are protected from exposure to moisture prior to their ultimate mixing with said base joint compound;
said additive packages are enclosed in water soluble polyvinyl alcohol;
10 said at least one additive package is a plurality of packages, each said package containing one of the same or different additives as the other said packages in said plurality; and
said additive packages contain additive in the range of 5 to 20 grams, and more preferably 10 grams of additive.

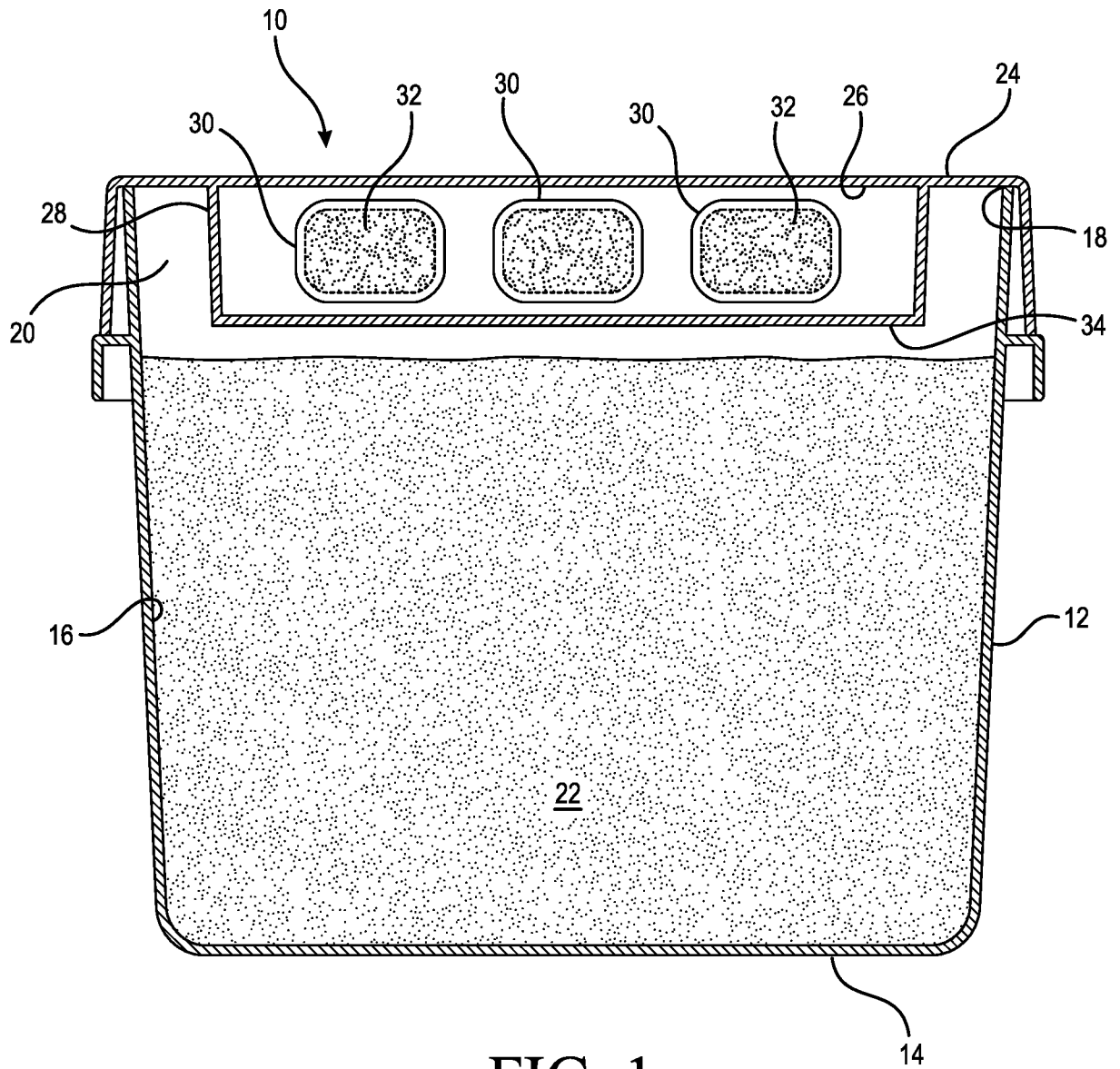


FIG. 1

2/6

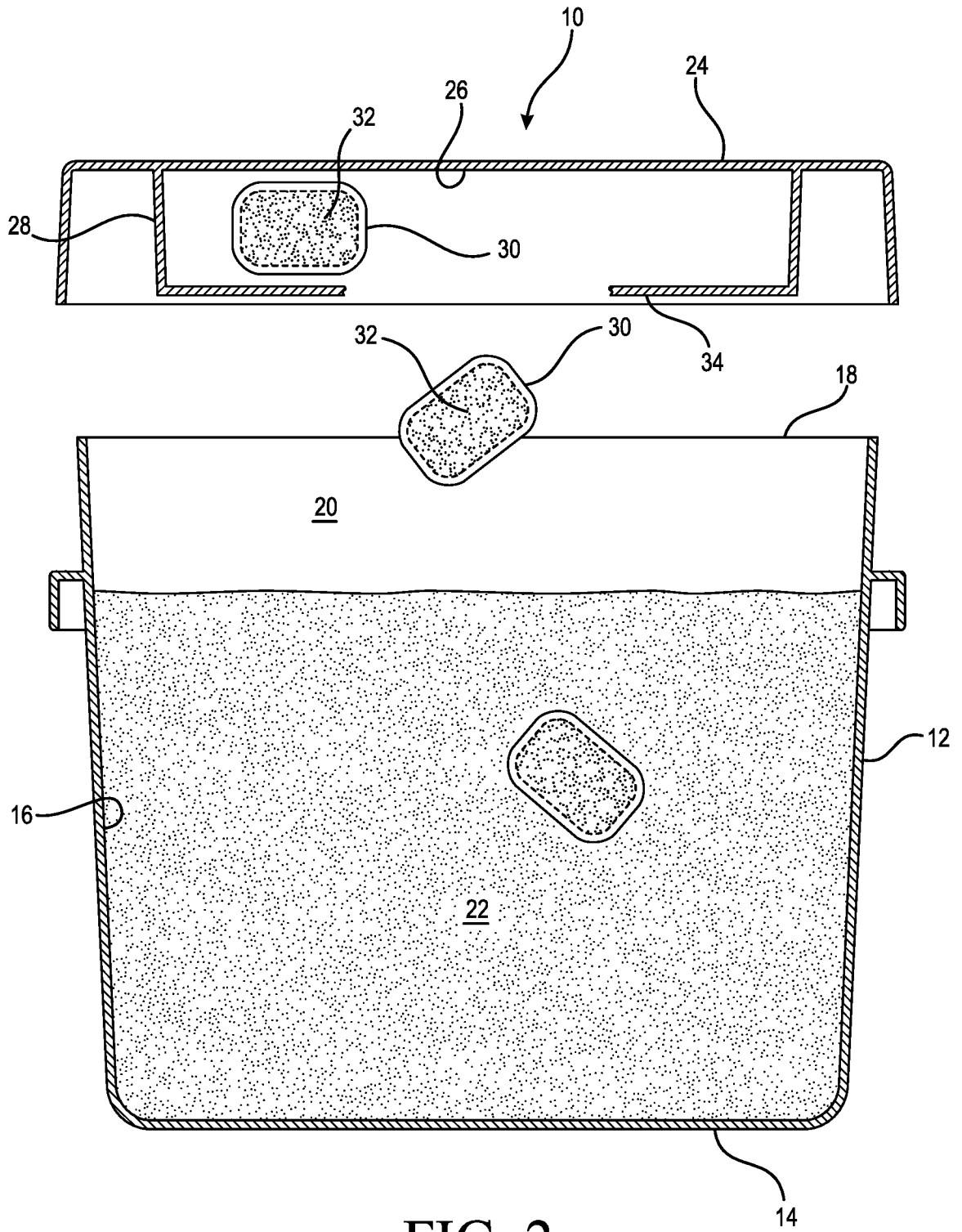


FIG. 2

3/6

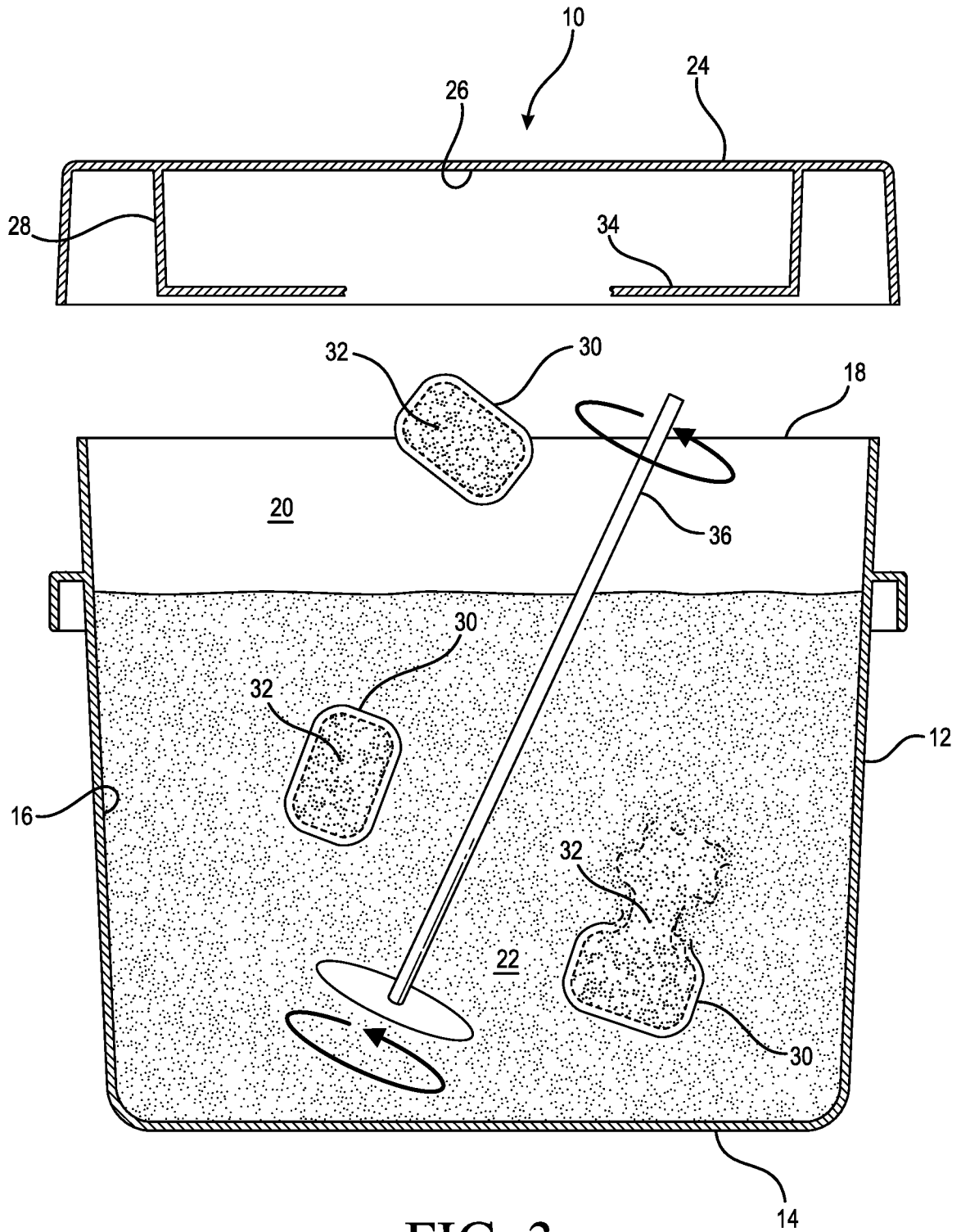


FIG. 3

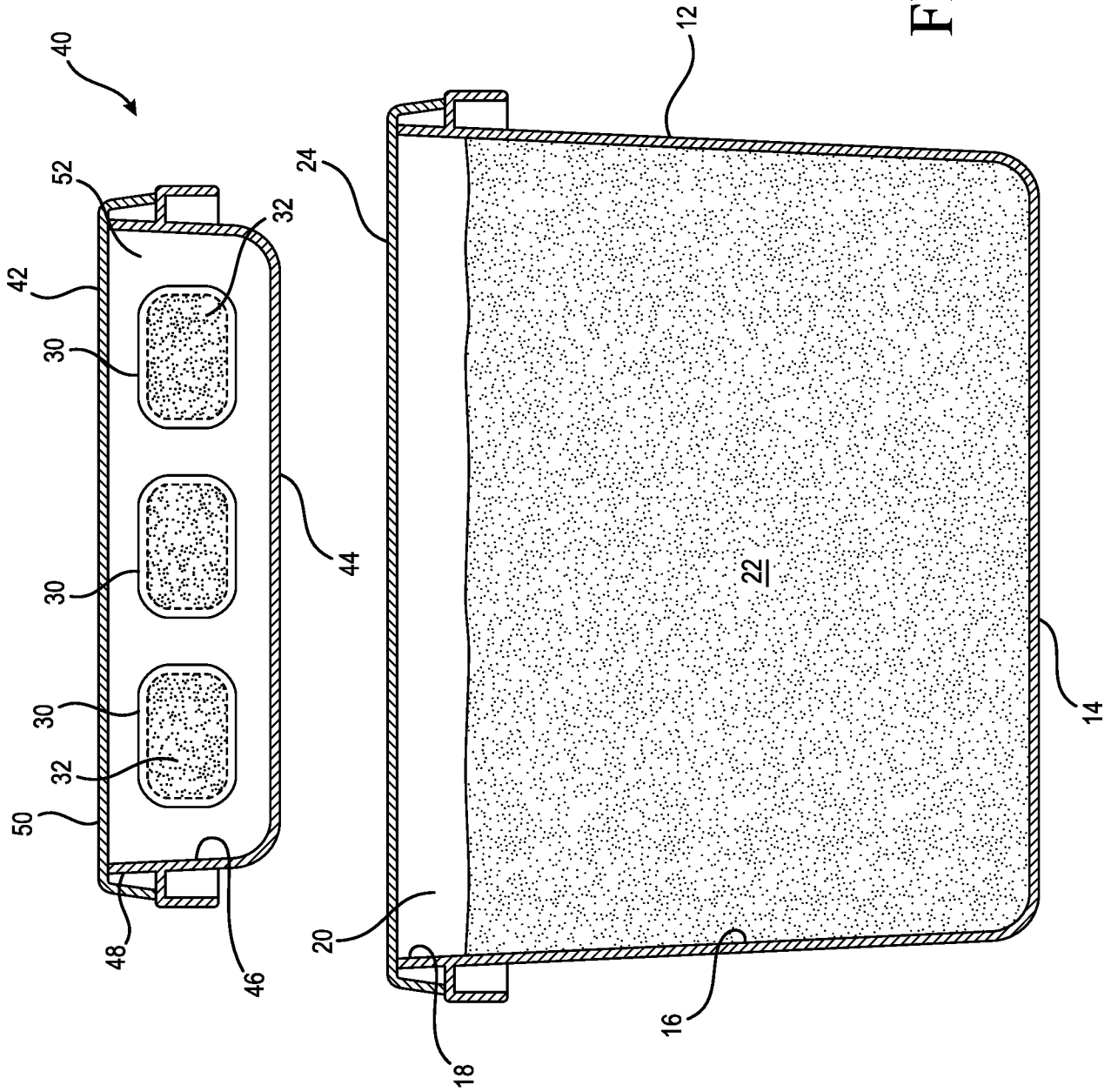


FIG. 4

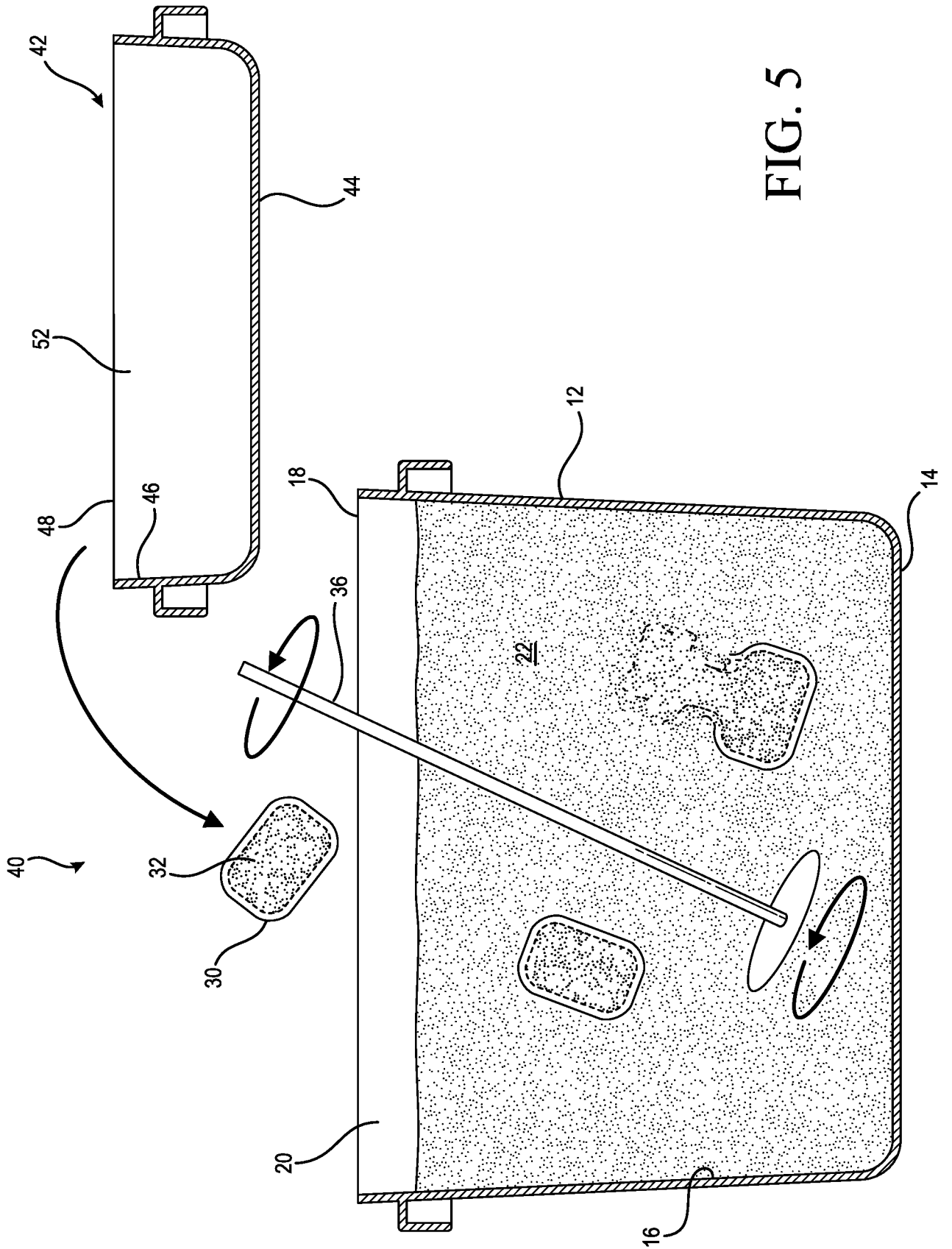


FIG. 5

6/6

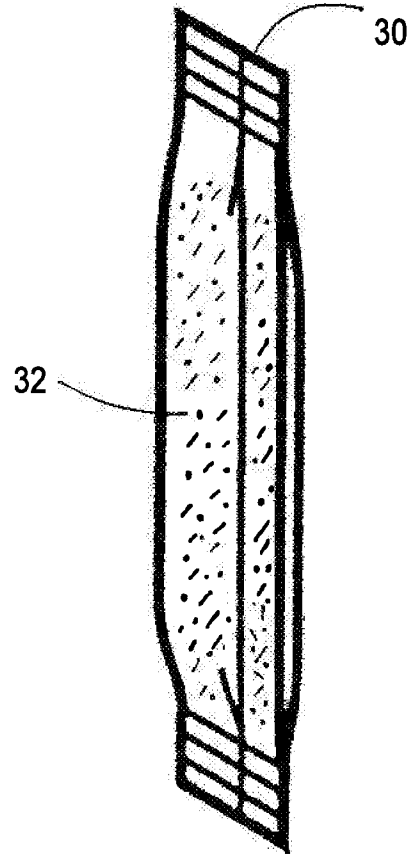


FIG. 6

INTERNATIONAL SEARCH REPORT

International application No
PCT/US2017/062995

A. CLASSIFICATION OF SUBJECT MATTER
INV. B65D81/32 B65D51/28 B65D65/46
ADD.
According to International Patent Classification (IPC) or to both national classification and IPC

B. FIELDS SEARCHED
Minimum documentation searched (classification system followed by classification symbols)
B65D

Documentation searched other than minimum documentation to the extent that such documents are included in the fields searched

Electronic data base consulted during the international search (name of data base and, where practicable, search terms used)
EPO-Internal

C. DOCUMENTS CONSIDERED TO BE RELEVANT

Category*	Citation of document, with indication, where appropriate, of the relevant passages	Relevant to claim No.
X	US 2016/194124 A1 (SHELDON JOSHUA D [US] ET AL) 7 July 2016 (2016-07-07) paragraph [0021] - paragraph [0032]; figures 1-5	1-10
X	DE 195 23 803 A1 (DYCKERHOFF SOPRO GMBH [DE]) 2 January 1997 (1997-01-02) page 6, line 8 - line 63; figures 2,3	1,2,6,7

Further documents are listed in the continuation of Box C.

See patent family annex.

* Special categories of cited documents :

- "A" document defining the general state of the art which is not considered to be of particular relevance
- "E" earlier application or patent but published on or after the international filing date
- "L" document which may throw doubts on priority claim(s) or which is cited to establish the publication date of another citation or other special reason (as specified)
- "O" document referring to an oral disclosure, use, exhibition or other means
- "P" document published prior to the international filing date but later than the priority date claimed

- "T" later document published after the international filing date or priority date and not in conflict with the application but cited to understand the principle or theory underlying the invention
- "X" document of particular relevance; the claimed invention cannot be considered novel or cannot be considered to involve an inventive step when the document is taken alone
- "Y" document of particular relevance; the claimed invention cannot be considered to involve an inventive step when the document is combined with one or more other such documents, such combination being obvious to a person skilled in the art
- "&" document member of the same patent family

Date of the actual completion of the international search
14 February 2018

Date of mailing of the international search report
28/02/2018

Name and mailing address of the ISA/
European Patent Office, P.B. 5818 Patentlaan 2
NL - 2280 HV Rijswijk
Tel. (+31-70) 340-2040,
Fax: (+31-70) 340-3016

Authorized officer
Galli, Monia

INTERNATIONAL SEARCH REPORT

Information on patent family members

International application No

PCT/US2017/062995

Patent document cited in search report	Publication date	Patent family member(s)	Publication date	
US 2016194124	A1	07-07-2016	CA 2972603 A1	14-07-2016
			CN 107108088 A	29-08-2017
			US 2016194124 A1	07-07-2016
			WO 2016111922 A1	14-07-2016

DE 19523803	A1	02-01-1997	NONE	
