



US00D994535S

(12) **United States Design Patent**
Singer

(10) **Patent No.:** **US D994,535 S**

(45) **Date of Patent:** **** Aug. 8, 2023**

(54) **SIX TUBE VASE**

FOREIGN PATENT DOCUMENTS

(71) Applicant: **Steven Singer**, Southampton, PA (US)

CN 302771937 * 3/2014
JP D1088755 * 10/2000

(72) Inventor: **Steven Singer**, Southampton, PA (US)

OTHER PUBLICATIONS

(*) Notice: Patent file contains an affidavit/declaration under 37 CFR 1.130(b).

(**) Term: **15 Years**

My #24kgolddippedroses. Online [website]. Instagram, posted online by user @susan.langley5 on Feb. 11, 2020 [retrieved on Nov. 28, 2022]. Retrieved from the internet: <https://www.instagram.com/p/B8cefGgHZpP/>. (Year: 2020).*

(21) Appl. No.: **29/753,596**

Signature Rose Displays. Online [website]. Instagram, posted online by user @stevensingerjewelers on Feb. 3, 2021 [retrieved on Nov. 23, 2022]. Retrieved from the internet: <https://www.instagram.com/p/CK2d-AHMGeW/>. (Year: 2021).*

(22) Filed: **Oct. 1, 2020**

(51) **LOC (14) Cl.** **11-02**

(52) **U.S. Cl.**

USPC **D11/147**

(58) **Field of Classification Search**

USPC ... D11/131, 131.1, 143, 144, 145, 146, 147, D11/152, 154, 155, 164; D6/556, 558; D3/316, 317; D19/84, 85, 105; D8/354
CPC ... A47G 7/02; A47G 7/04; A47G 7/06; A47G 7/025; A47G 29/08; A61G 17/045; A47F 7/0021; B43K 23/002; B43M 99/008; A01G 9/028; A01G 9/0295

See application file for complete search history.

* cited by examiner

Primary Examiner — Tracey J Bell

Assistant Examiner — Grace Doyle

(74) *Attorney, Agent, or Firm* — Riddle Patent Law, LLC; Charles L. Riddle, Esq.

(57) **CLAIM**

The ornamental design for a six tube vase, as shown and described.

(56) **References Cited**

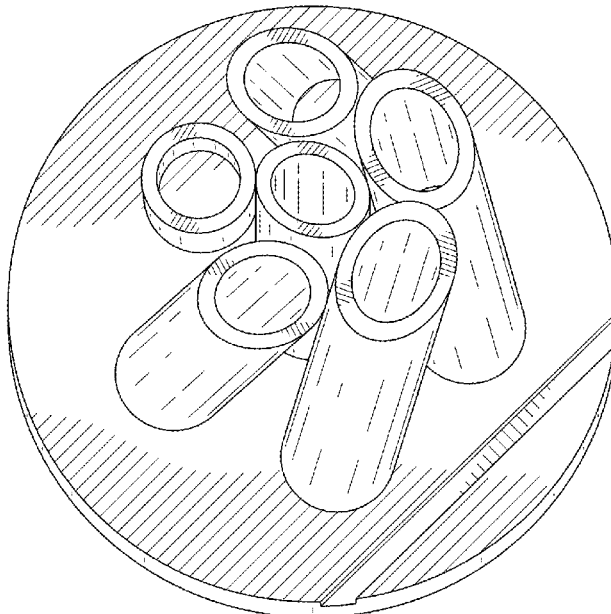
U.S. PATENT DOCUMENTS

D152,655 S *	2/1949	Rossell	D19/78
D161,749 S *	1/1951	Griner	A47G 7/06
				D11/146
D245,368 S *	8/1977	Mueller	D11/147
D296,448 S *	6/1988	Evenson	D19/78
D357,886 S *	5/1995	Fuller	D11/152
D445,062 S *	7/2001	Wong	D11/147
8,069,609 B1 *	12/2011	Towne	A47G 7/06
				47/41.12
D700,936 S *	3/2014	Parker	D19/85
2012/0261281 A1 *	10/2012	Morgan	A47G 7/06
				29/428

DESCRIPTION

FIG. 1 is a top perspective view of a six tube vase; FIG. 2 is a bottom perspective view thereof; FIG. 3 top view thereof; FIG. 4 is a bottom view thereof; FIG. 5 is a side view thereof; FIG. 6 is a side view thereof; FIG. 7 is a front view thereof; and, FIG. 8 is a back view thereof.

1 Claim, 4 Drawing Sheets



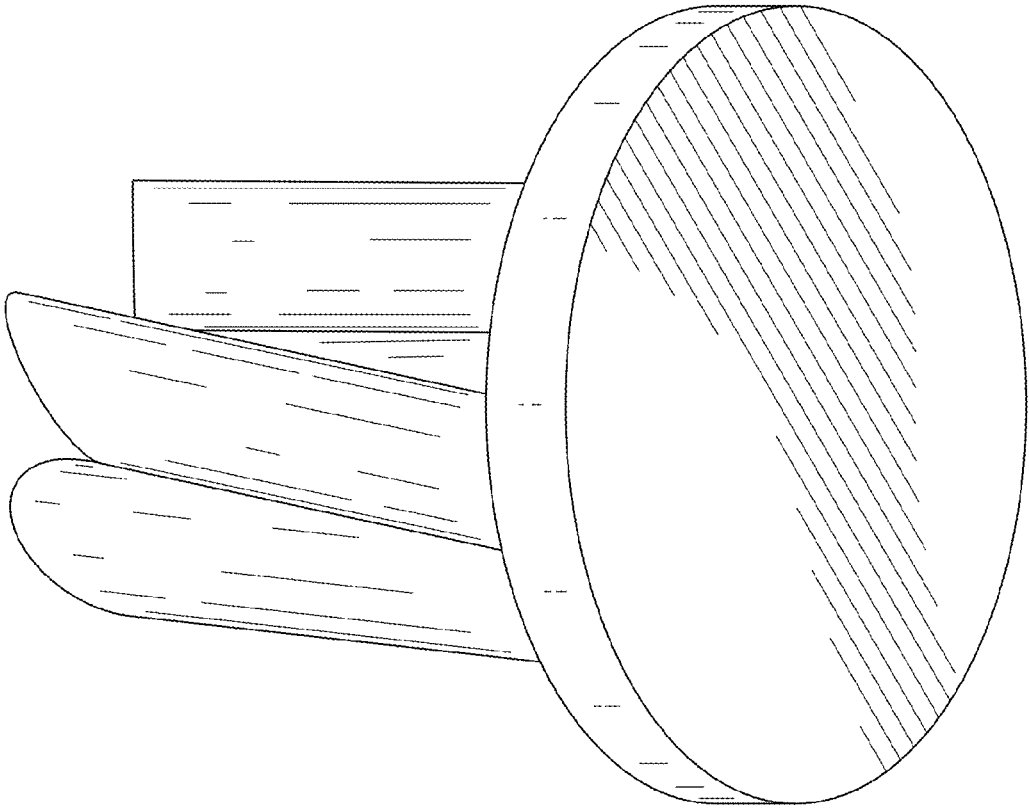


FIG. 2

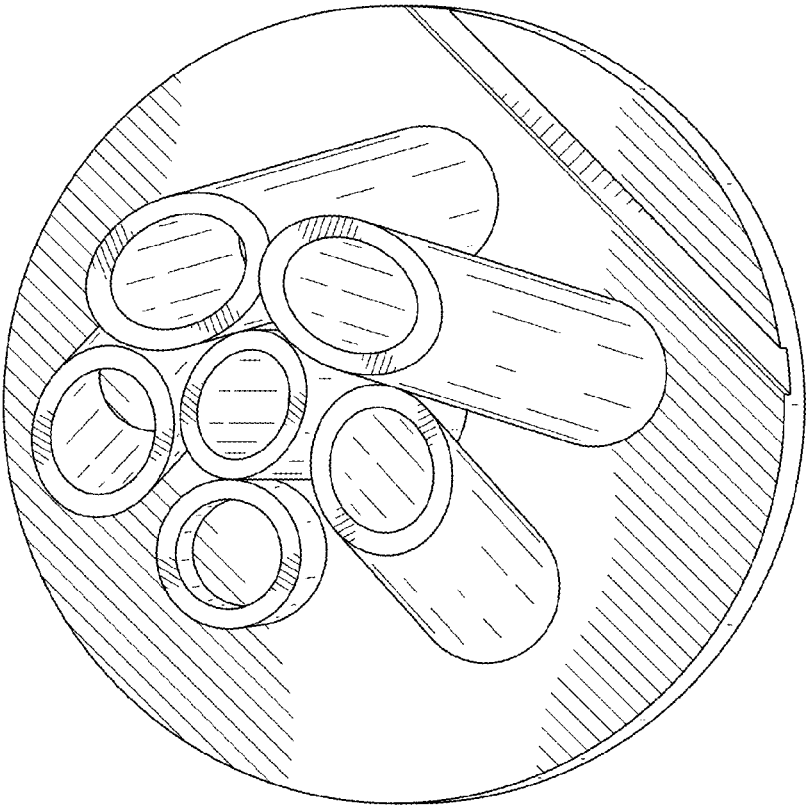


FIG. 1

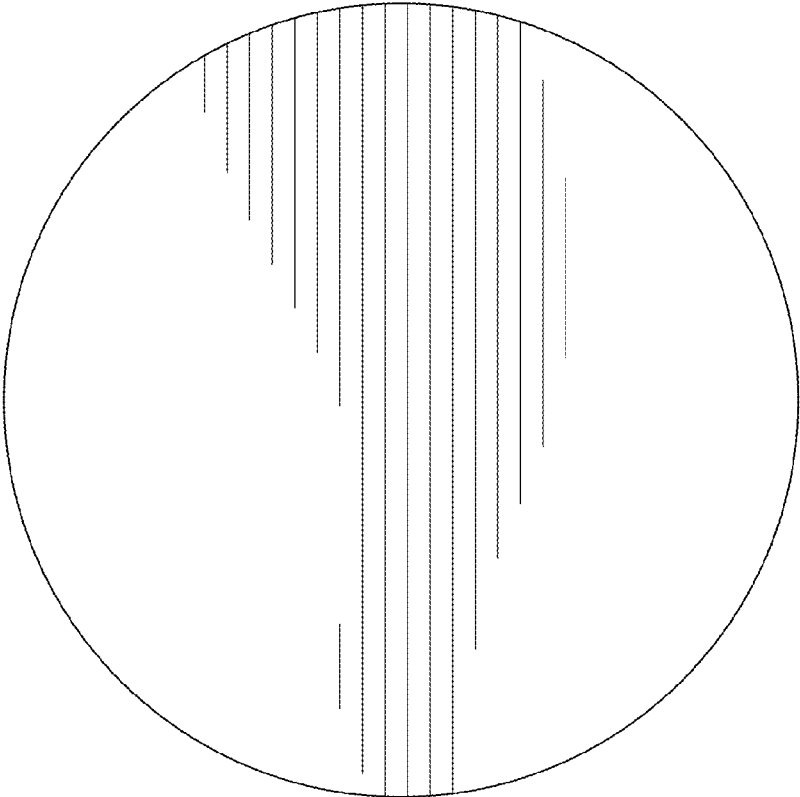


FIG. 4

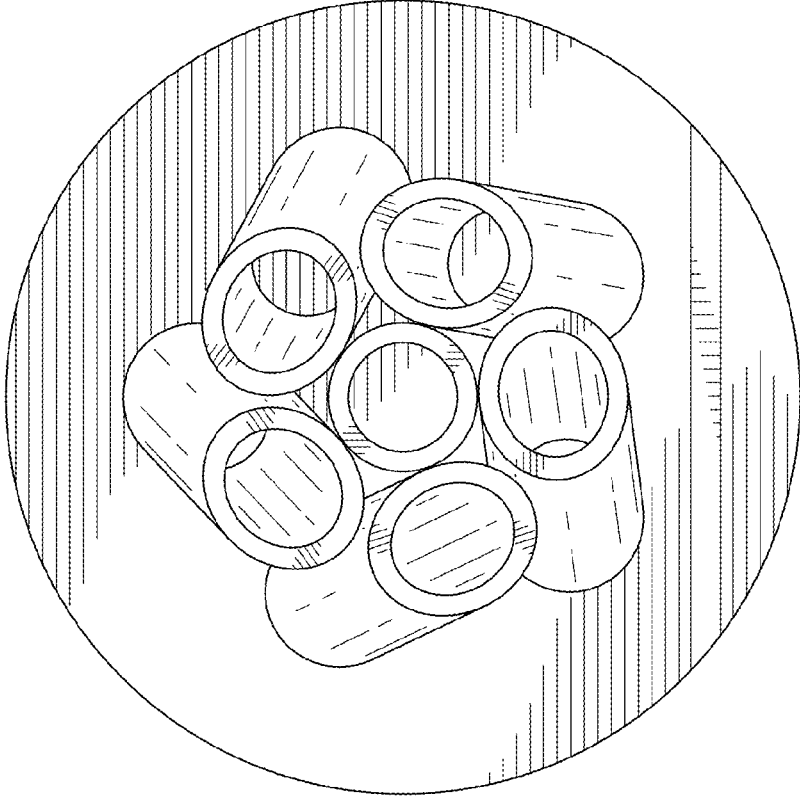


FIG. 3

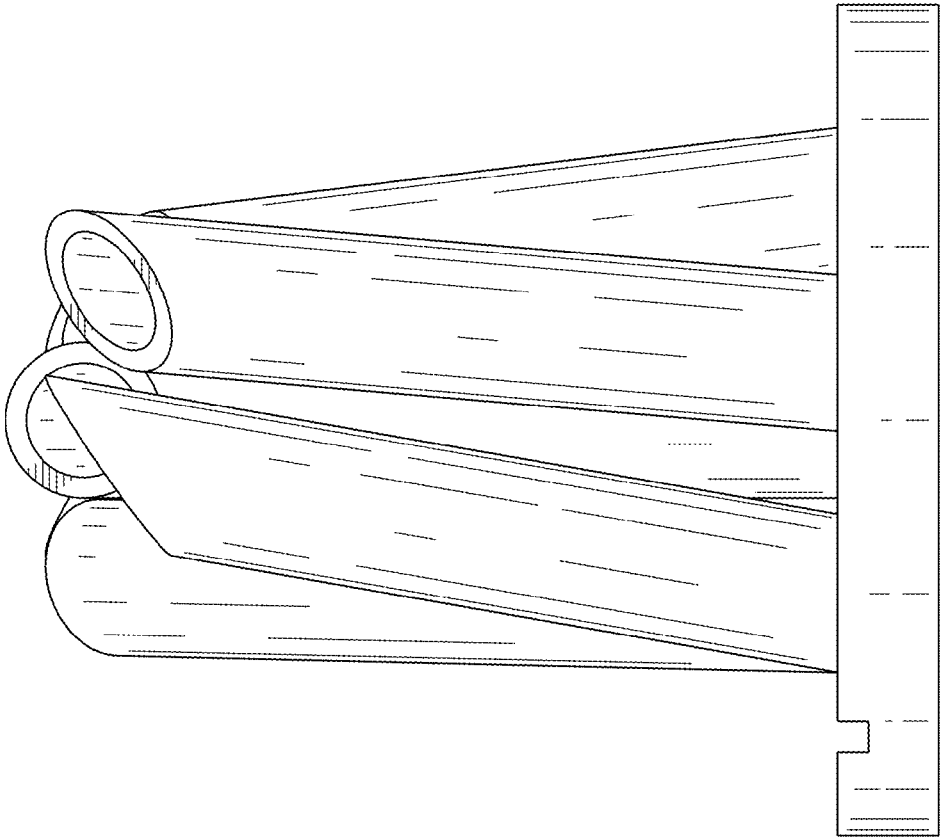


FIG. 5

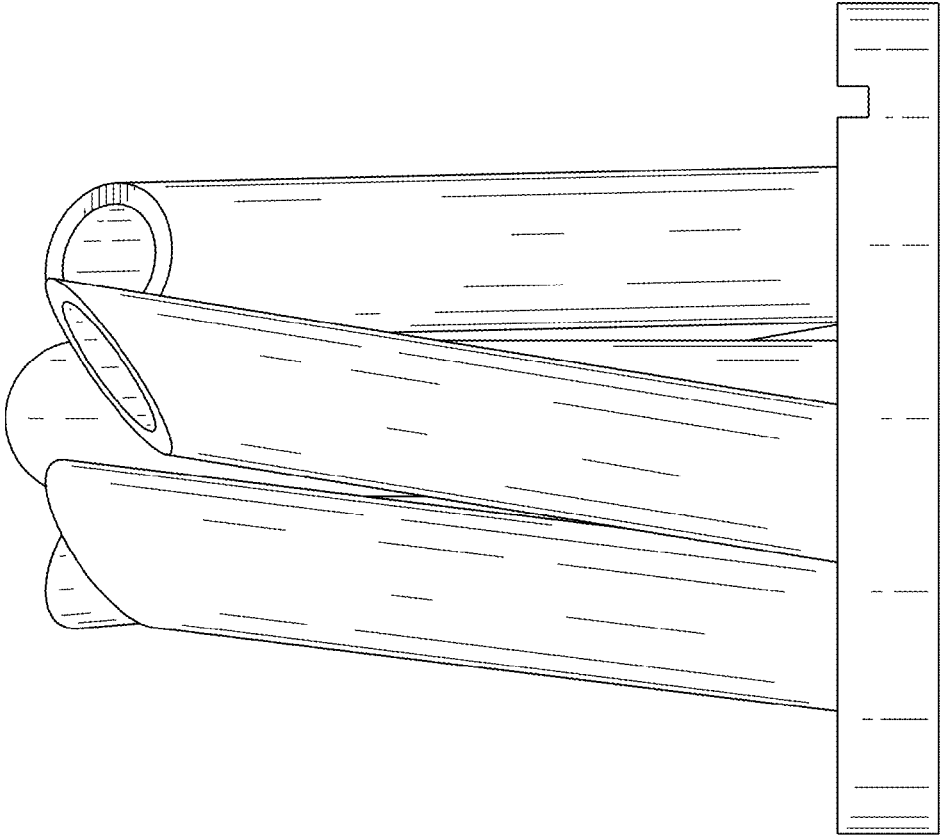


FIG. 6

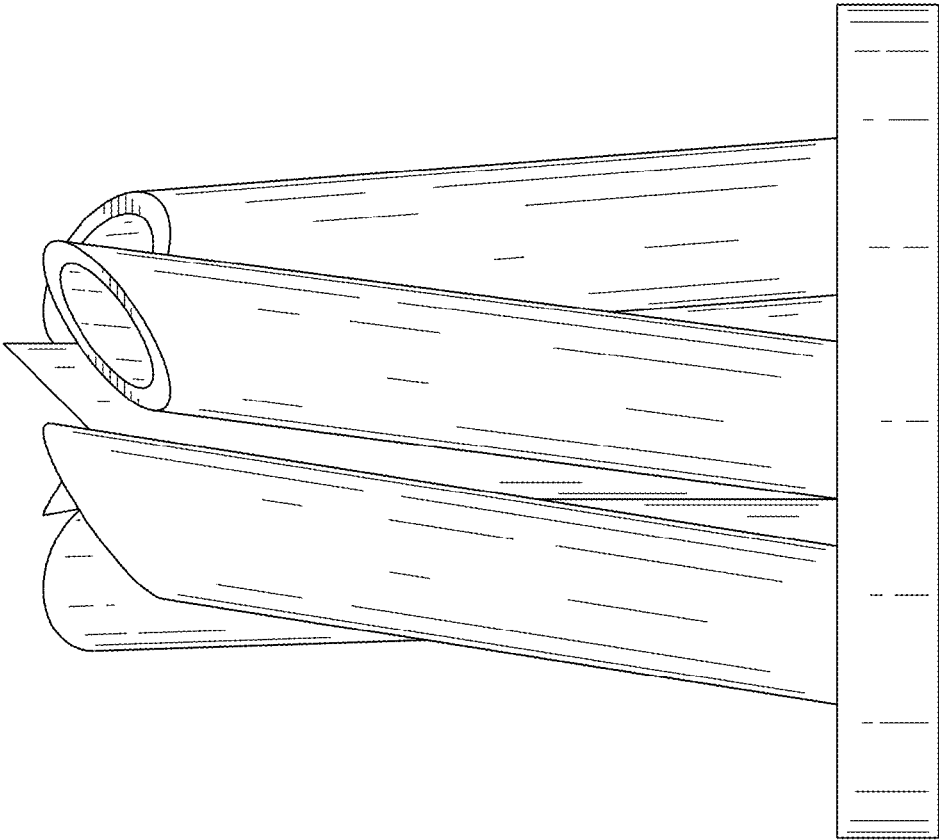


FIG. 8

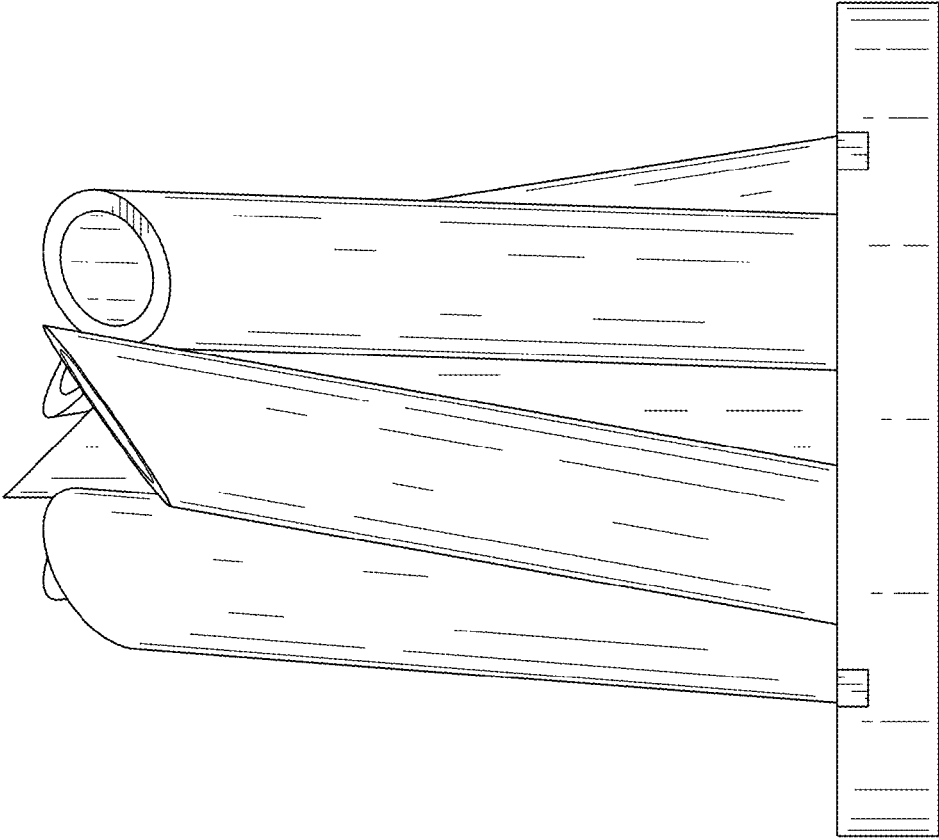


FIG. 7