



(12) **United States Design Patent**
Chiao et al.

(10) **Patent No.:** **US D828,056 S**
(45) **Date of Patent:** **** Sep. 11, 2018**

(54) **GARAGE TALL CABINET**
(71) Applicant: **Trinity International Industries, LLC,**
Carson, CA (US)
(72) Inventors: **Jerry Chiao,** Newark, CA (US);
Cze-Chao Tam, Palos Verdes, CA
(US); **Yuan-Luen Chuang,** Ortonville,
MI (US)
(73) Assignee: **TRINITY INTERNATIONAL**
INDUSTRIES, L.L.C., Carson, CA
(US)

D364,064 S 11/1995 Lorenz
5,586,816 A 12/1996 Geiss, II
D384,846 S 10/1997 Zaidman et al.
5,800,029 A 9/1998 Robertson et al.
D407,385 S * 3/1999 Belanger D14/308
6,039,418 A * 3/2000 Thomas A47B 43/00
312/258
D458,048 S 6/2002 Camfferman et al.
D478,433 S 8/2003 Woods
D479,411 S 9/2003 Nielsen
D492,508 S * 7/2004 Anderson D6/663
D492,509 S * 7/2004 Anderson D6/663
D496,805 S * 10/2004 Anderson D6/671
D499,275 S * 12/2004 Grosfillex D6/671.1
D499,276 S * 12/2004 Grosfillex D6/671.1
D512,864 S 12/2005 Moon et al.
D576,421 S 9/2008 Grabowski et al.
D591,076 S * 4/2009 Guizzardi D6/671.1
D591,979 S 5/2009 Singler et al.
D602,282 S 10/2009 Lulloff et al.
D609,936 S * 2/2010 Haimoff D6/671.1

(**) Term: **15 Years**

(21) Appl. No.: **29/605,798**

(22) Filed: **May 30, 2017**

(51) **LOC (11) Cl.** **06-04**
(52) **U.S. Cl.**

USPC **D6/671.1**

(58) **Field of Classification Search**
USPC D6/657, 662, 663, 669, 671, 671.1,
D6/671.2; D12/402; D14/308
CPC A47B 43/00; A47B 47/02; A47B 47/03;
A47B 47/04; A47B 47/05
See application file for complete search history.

Primary Examiner — Kevin K Rudzinski
Assistant Examiner — Paul D Bohannon
(74) *Attorney, Agent, or Firm* — Innovation Capital Law
Group, LLP; Vic Lin

(57) **CLAIM**

The ornamental design for a garage tall cabinet, as shown
and described.

(56) **References Cited**

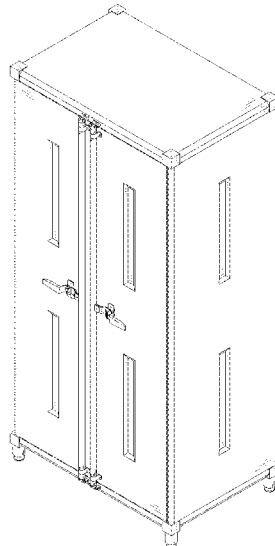
U.S. PATENT DOCUMENTS

D144,029 S 3/1946 Broadbent
2,773,729 A * 12/1956 Derman A47B 47/03
206/213
3,833,279 A * 9/1974 MacKenzie, Jr. A47B 47/05
312/140
3,879,096 A 4/1975 Blodee
3,926,486 A 12/1975 Sasnett
3,971,605 A 7/1976 Sasnett
4,078,342 A 3/1978 Cohen
5,368,380 A 11/1994 Mottmiller et al.

DESCRIPTION

FIG. 1 is a front perspective view of a garage tall cabinet;
FIG. 2 is a rear perspective view thereof;
FIG. 3 is a front elevation view thereof;
FIG. 4 is a rear elevation view thereof;
FIG. 5 is a right elevation view thereof;
FIG. 6 is a left elevation view thereof;
FIG. 7 is a top plan view thereof; and,
FIG. 8 is a bottom plan view thereof.

1 Claim, 8 Drawing Sheets



(56)

References Cited

U.S. PATENT DOCUMENTS

D642,400 S * 8/2011 Koehn D6/668.1
D679,115 S 4/2013 Chavez
D679,116 S 4/2013 Evangelidis
D686,437 S 7/2013 Johnson et al.
D689,011 S * 9/2013 Isakov B62H 3/12
D12/402
D711,165 S * 8/2014 Phillips D6/671
D711,166 S * 8/2014 Anderson D6/671
D711,167 S * 8/2014 Anderson D6/671
D732,322 S * 6/2015 Anderson D6/671
D801,084 S * 10/2017 Thuma D6/663
D801,728 S 11/2017 Reyes et al.
D807,085 S 1/2018 Vandenham et al.
2003/0127956 A1 * 7/2003 Stoever A47B 47/02
312/257.1
2005/0057128 A1 3/2005 Anderson et al.
2017/0361472 A1 12/2017 Padova et al.

* cited by examiner

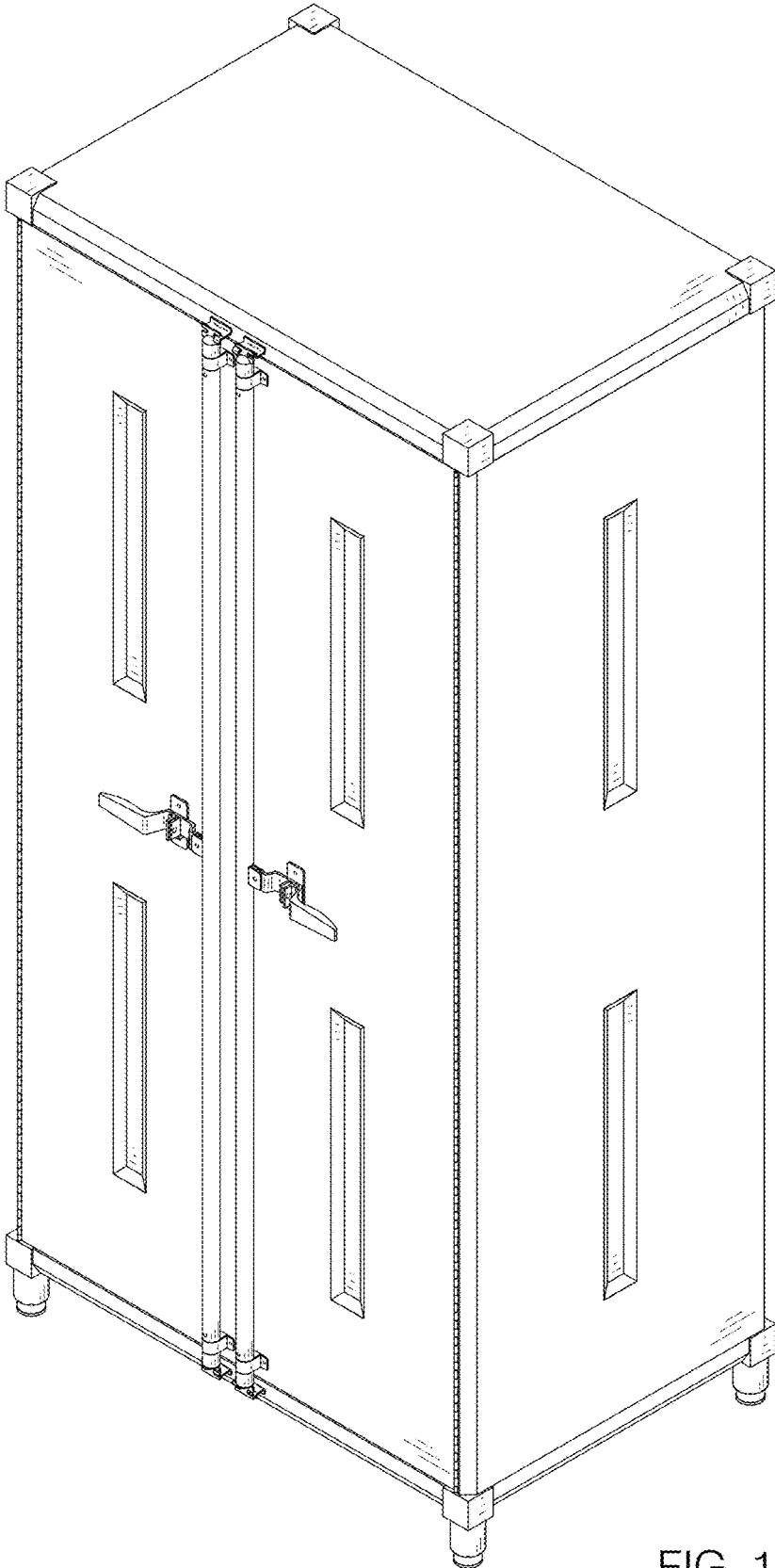


FIG. 1

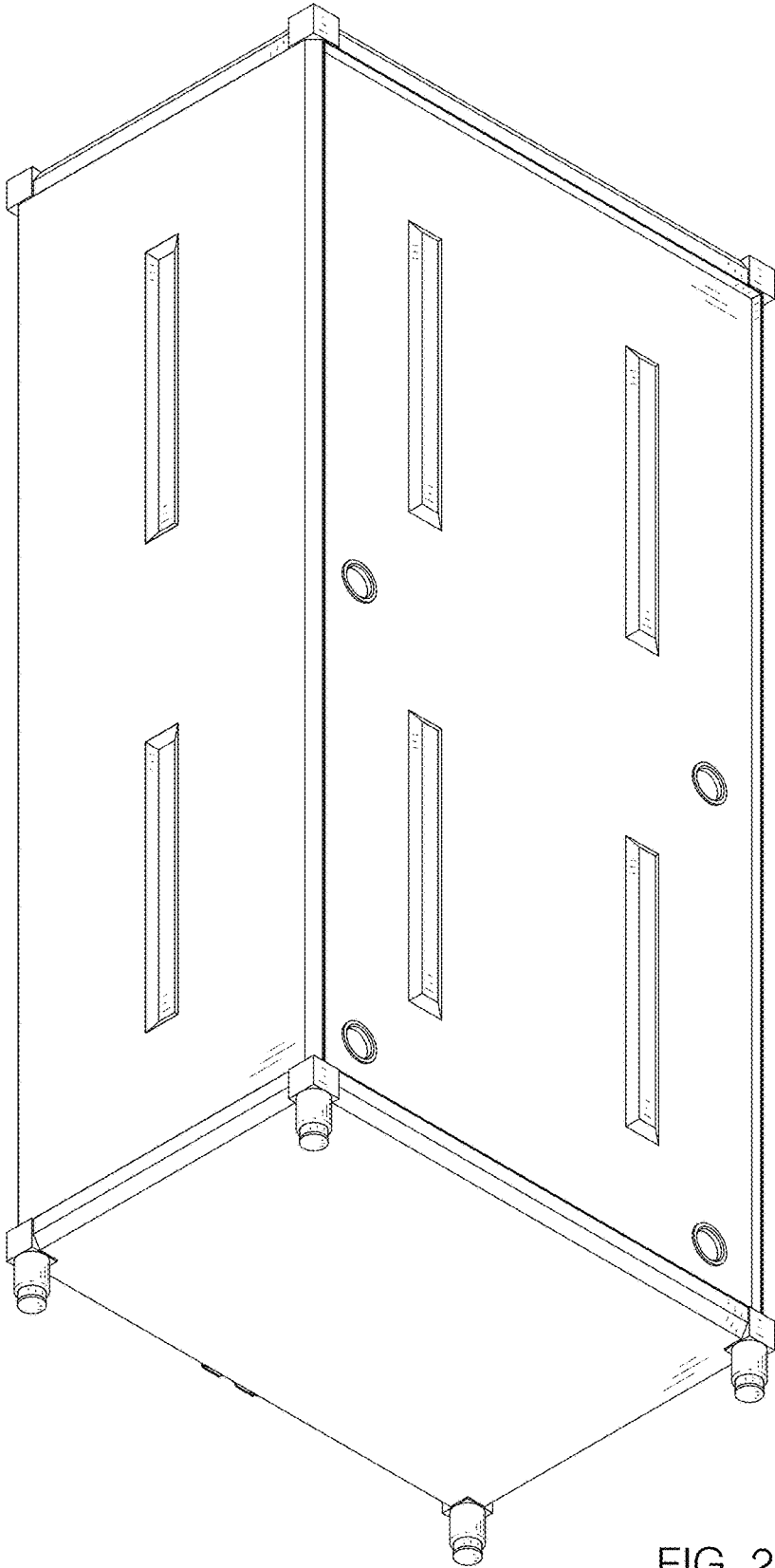


FIG. 2

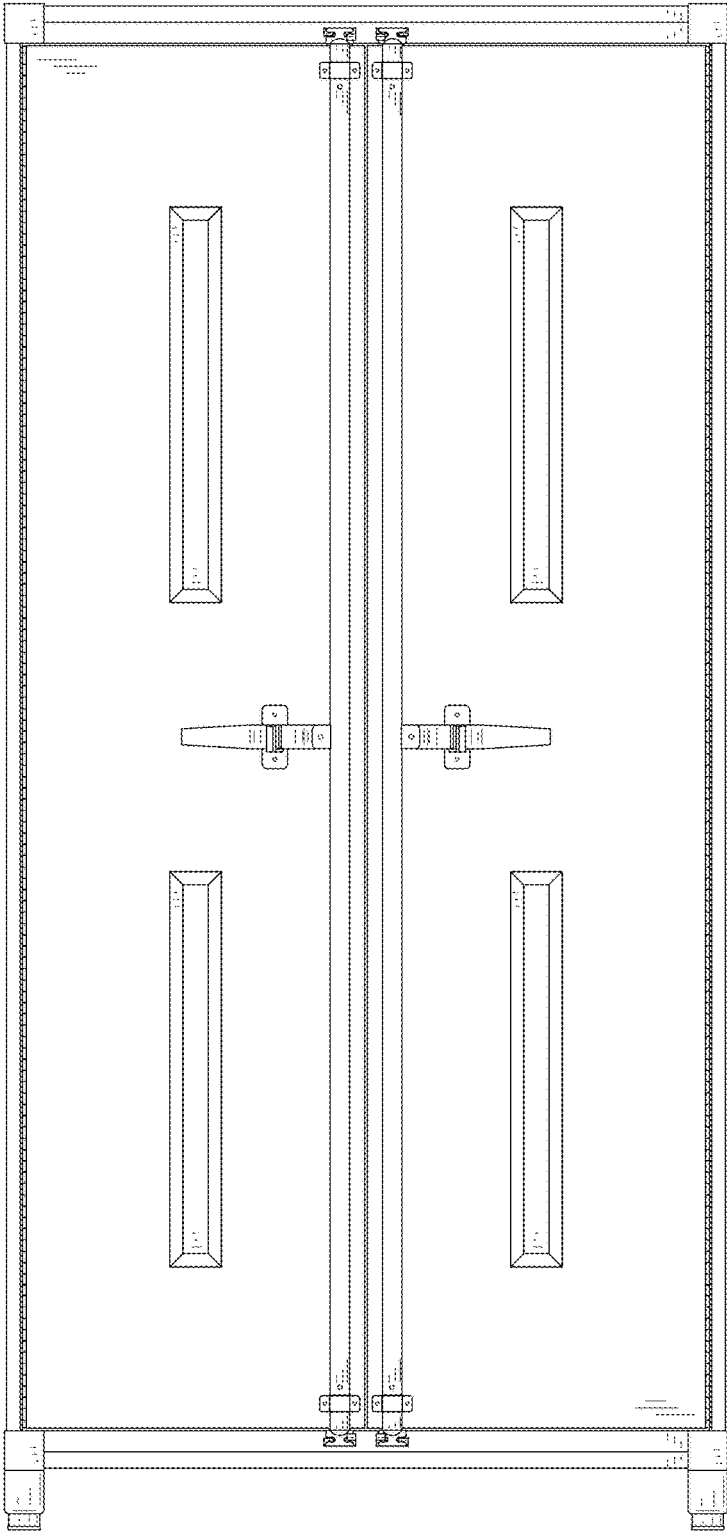


FIG. 3

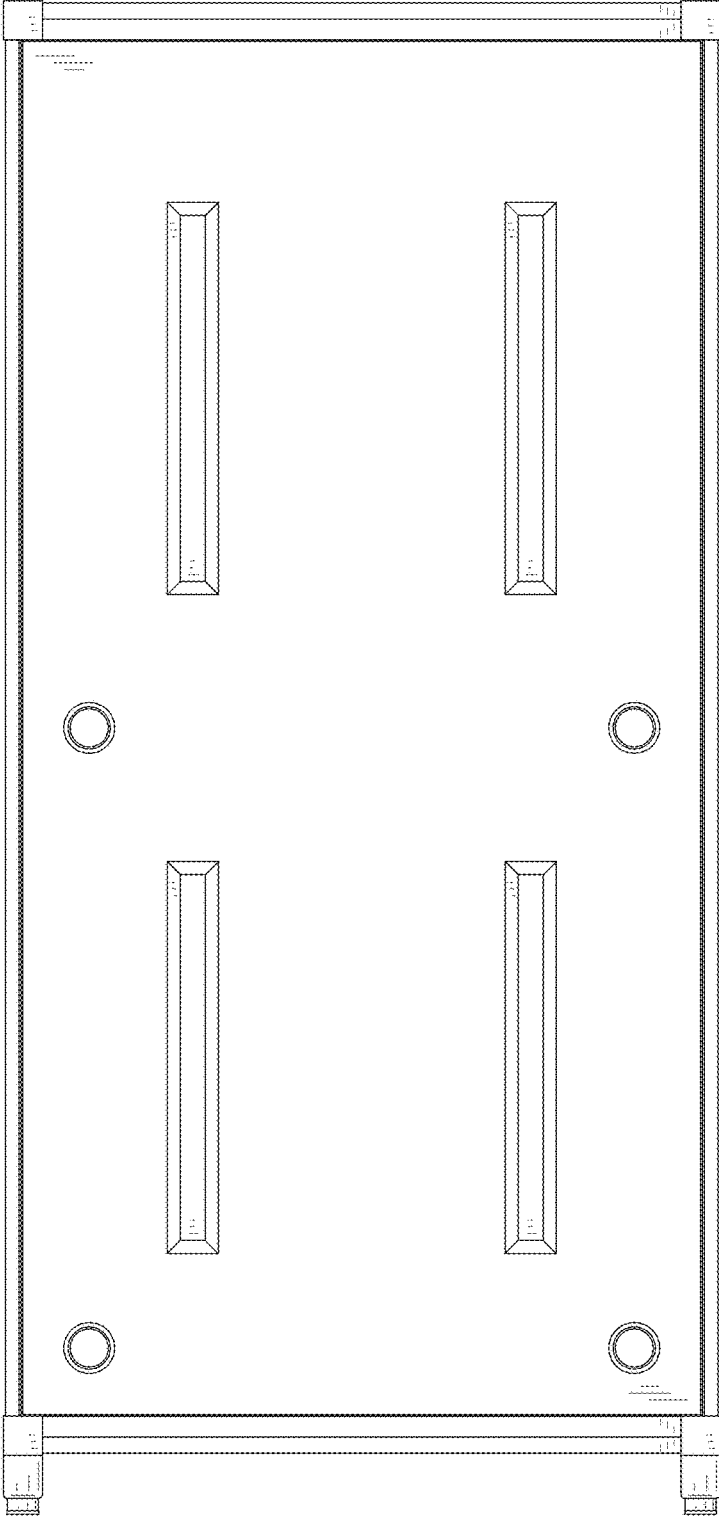


FIG. 4

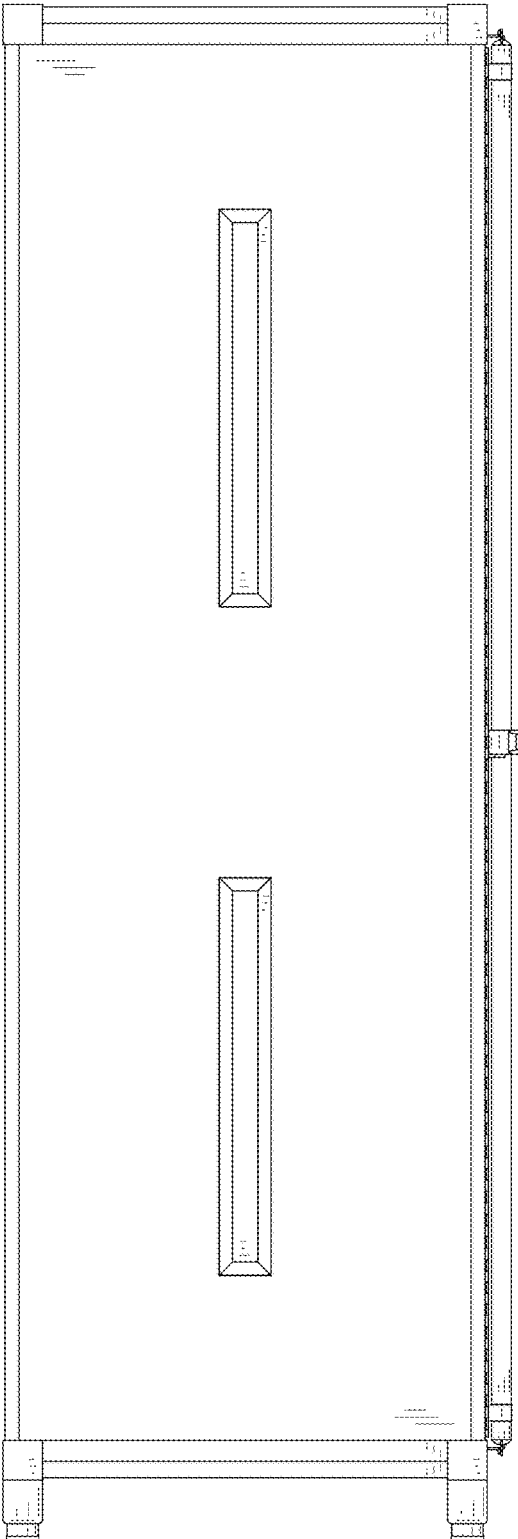


FIG. 5

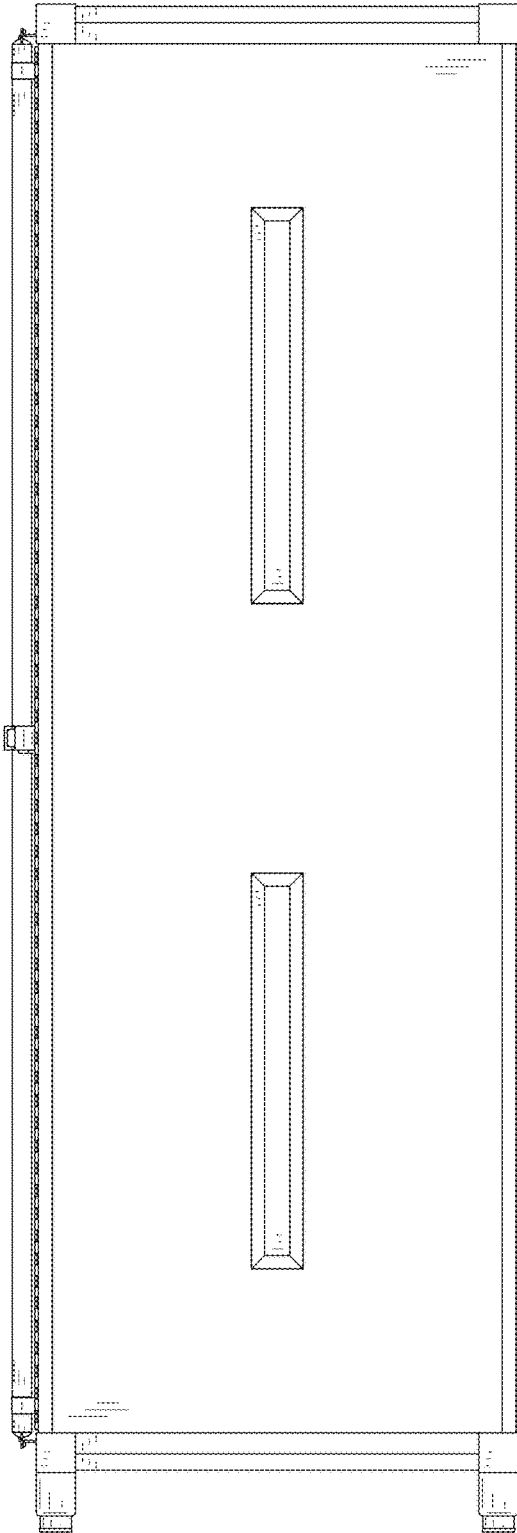


FIG. 6

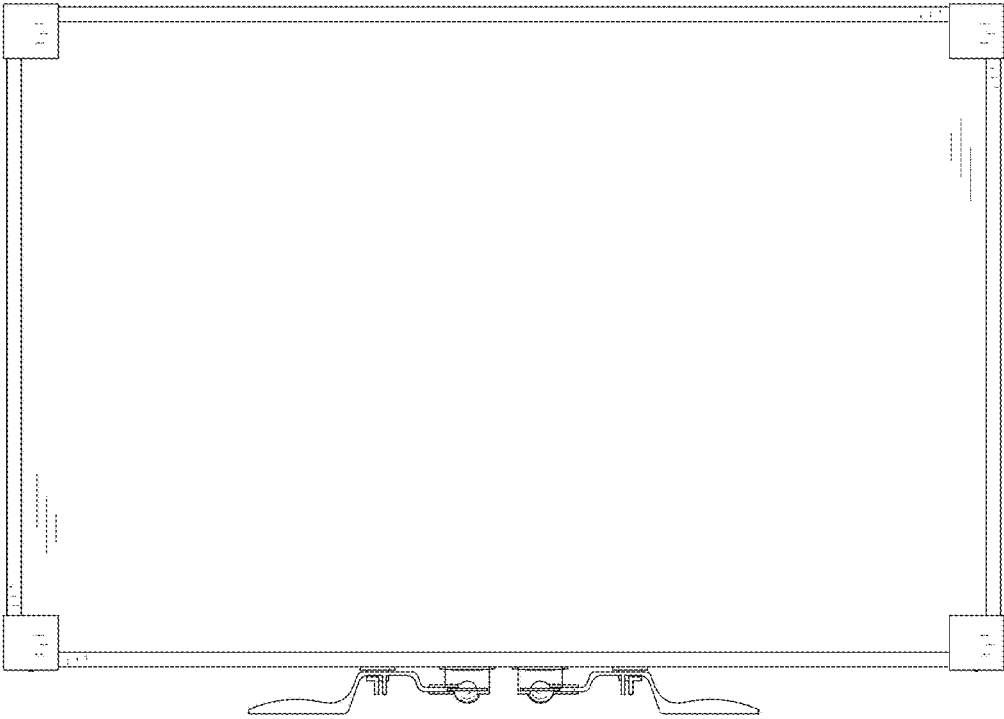


FIG. 7

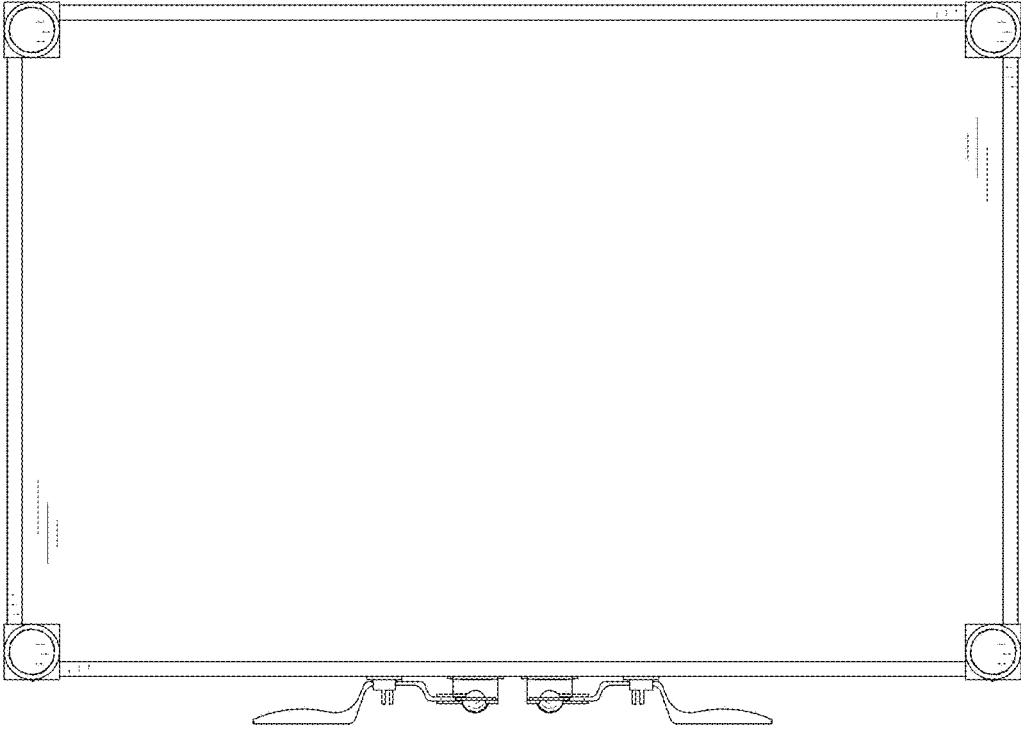


FIG. 8